



US00D704058S

(12) **United States Design Patent**  
**Last**

(10) **Patent No.:** **US D704,058 S**

(45) **Date of Patent:** **\*\* May 6, 2014**

- (54) **WING CAP**
- (71) Applicant: **Laurens Last**, Bosch en Duin (NL)
- (72) Inventor: **Laurens Last**, Bosch en Duin (NL)
- (73) Assignees: **MOM SAS**, Paris (FR); **IPN IP B.V.**, Houten (NL)

D351,793 S *	10/1994	Stoller	.....	D9/443
D367,613 S *	3/1996	Weiler	.....	D9/443
D370,709 S *	6/1996	John	.....	D23/260
D380,387 S *	7/1997	Weiler	.....	D9/520
D426,769 S *	6/2000	Chan	.....	D9/673
D621,706 S *	8/2010	Breckan	.....	D9/443
D670,534 S *	11/2012	Rudisill, Jr.	.....	D7/392.1
2010/0294773 A1	11/2010	Schwartz et al.		

- (\*\*) Term: **14 Years**
- (21) Appl. No.: **29/439,784**
- (22) Filed: **Dec. 14, 2012**

**FOREIGN PATENT DOCUMENTS**

DE	102005028992	6/2005
EM	001138432-0001	5/2009
EM	001138432-0002	5/2009
WO	2004108554	12/2004

\* cited by examiner

- (30) **Foreign Application Priority Data**
- Nov. 23, 2012 (EM) ..... 002141218-0002
- (51) **LOC (10) Cl.** ..... **21-07**
- (52) **U.S. Cl.**
- USPC ..... **D9/451**; D9/443
- (58) **Field of Classification Search**
- USPC ..... D7/514-520, 613, 619.2, 623, 628, D7/392.1; D9/600, 672-674, 434-435, D9/441-443, 451; 206/494, 457, 459.1, 206/459.5; 215/230, 400
- See application file for complete search history.

*Primary Examiner* — Sandra Morris

(74) *Attorney, Agent, or Firm* — Troutman Sanders LLP; Ryan A. Schneider

(56) **References Cited**

**U.S. PATENT DOCUMENTS**

D113,053 S *	1/1939	Stough	.....	D9/673
D129,167 S *	8/1941	Grunbery	.....	D9/673
3,045,860 A *	7/1962	Desgagne	.....	D9/442
3,295,730 A *	1/1967	Moran	.....	D9/442
D342,448 S *	12/1993	Ritcey	.....	D9/443

(57) **CLAIM**

The ornamental design for a wing cap, as shown and described.

**DESCRIPTION**

FIG. 1 is a top perspective view of a wing cap of the present invention;

FIG. 2 is a front view of the wing cap of FIG. 1, the back being a mirror image thereof;

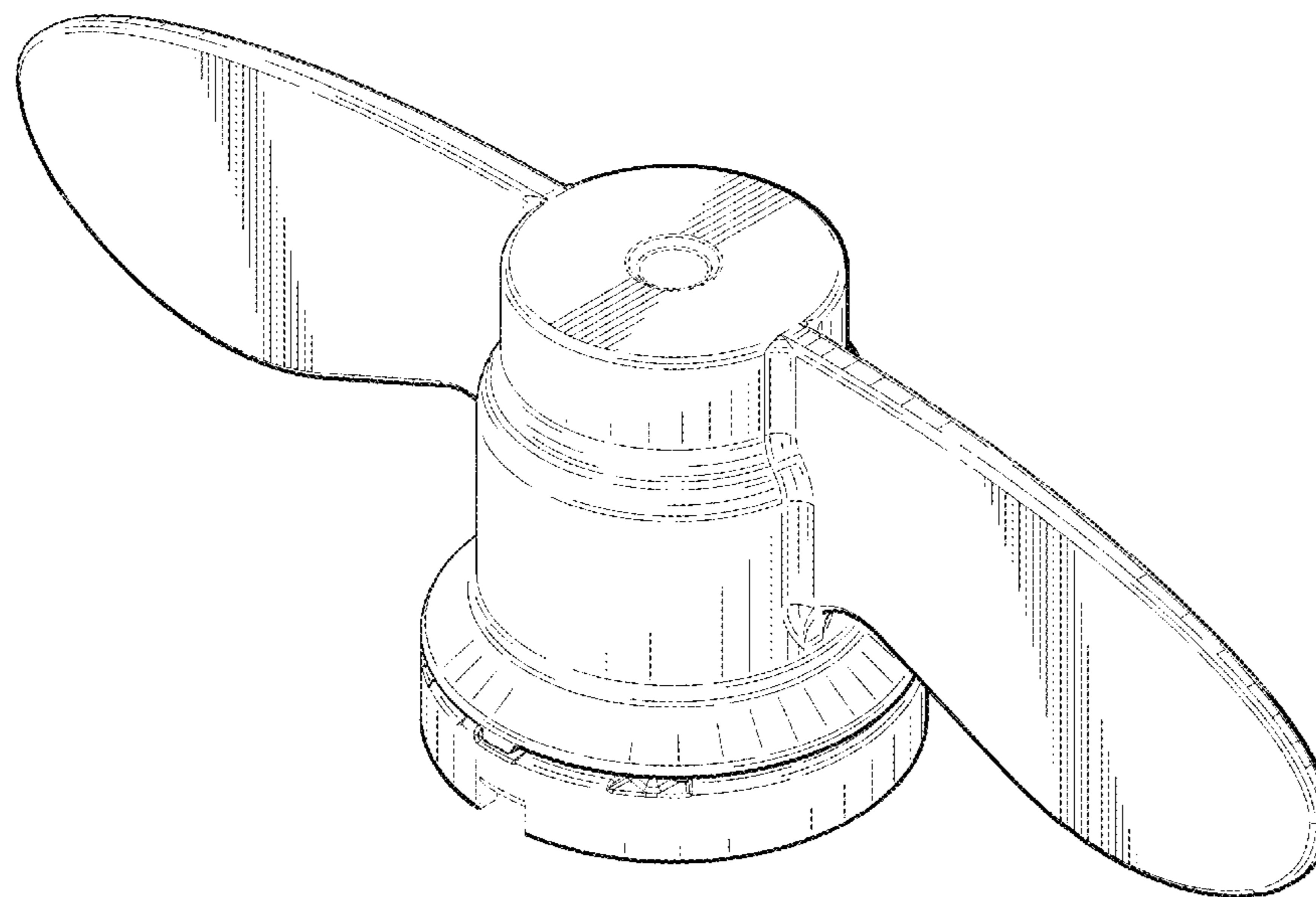
FIG. 3 is a side view of the dispensing device of FIG. 1, the other side being a mirror image thereof;

FIG. 4 is a top view of the dispensing device of FIG. 1; and,

FIG. 5 is a bottom view of the dispensing device of FIG. 1.

The broken line showing is for illustrative purposes only, and forms no part of the claimed design.

**1 Claim, 3 Drawing Sheets**



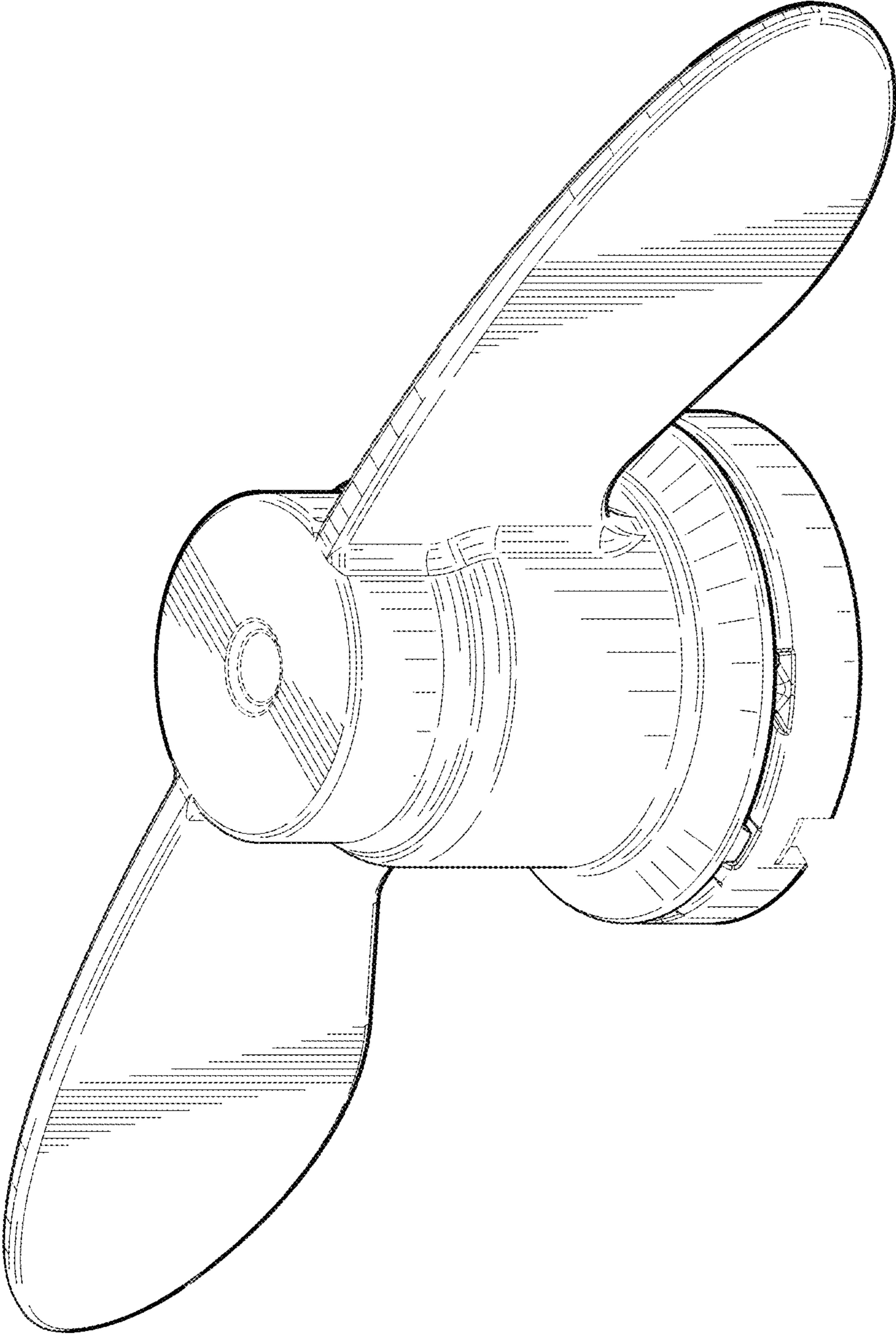


FIG. 1

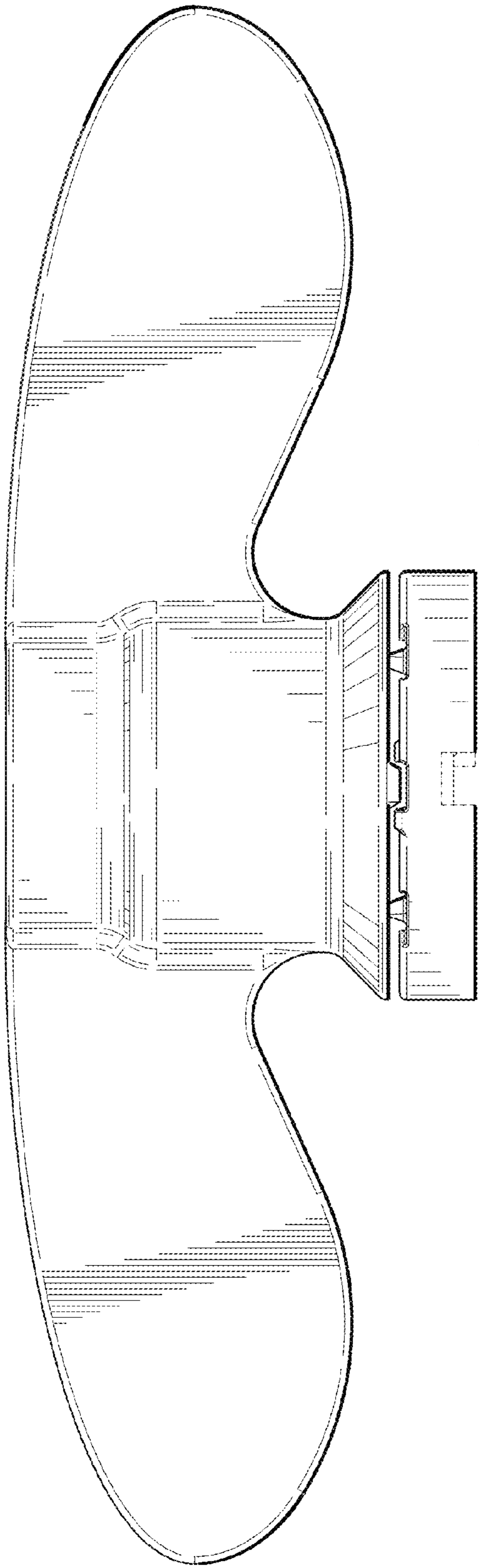


FIG. 2

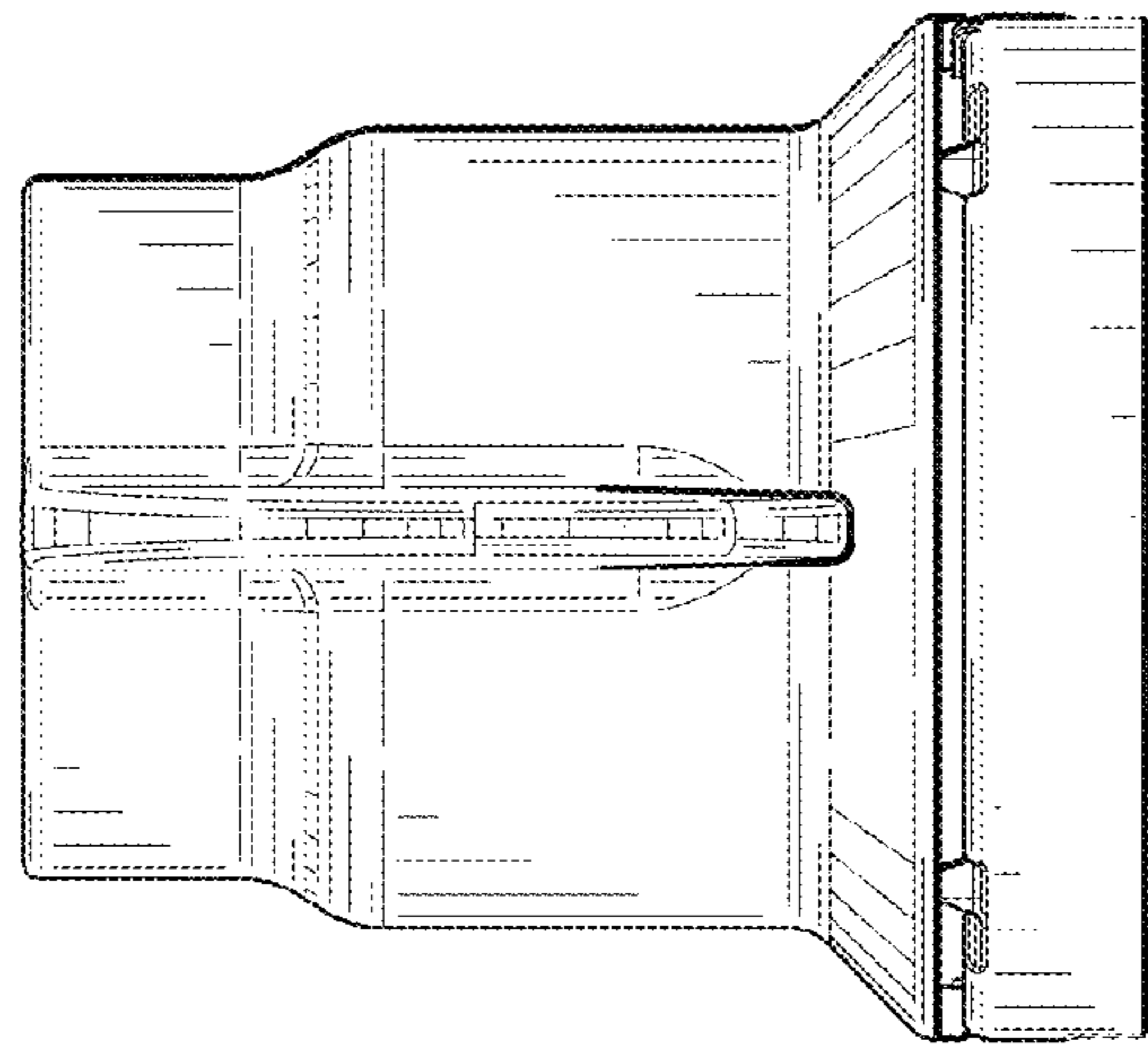


FIG. 3

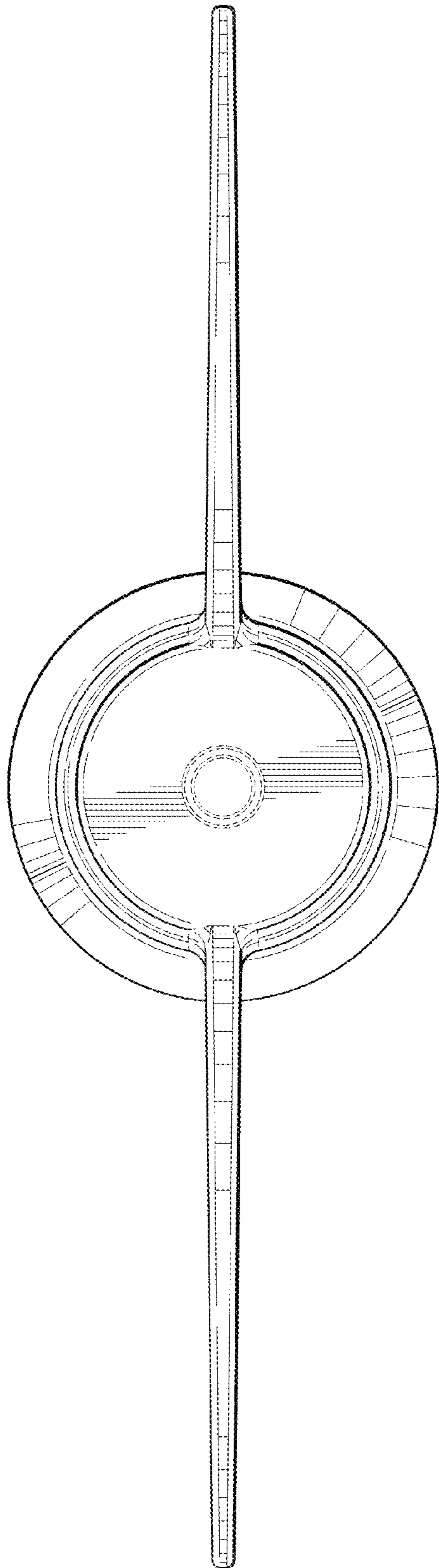


FIG. 4

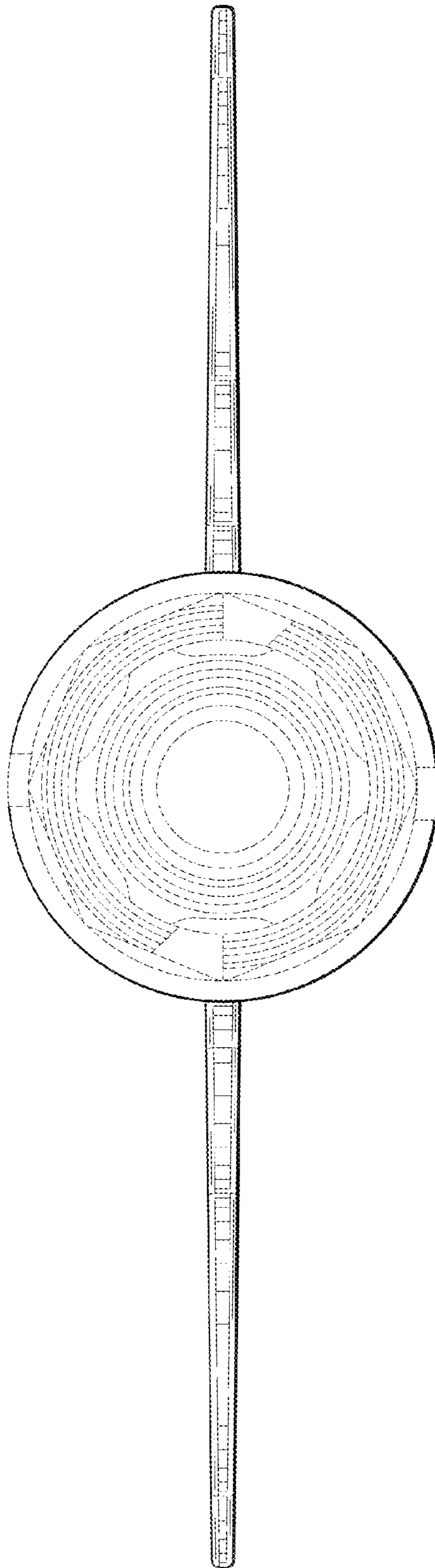


FIG. 5