



US00D704057S

(12) **United States Design Patent**
Bar-Tal et al.

(10) **Patent No.:** **US D704,057 S**

(45) **Date of Patent:** **** May 6, 2014**

(54) **CANISTER LID**

2005/0061826 A1* 3/2005 Long et al. 221/33
2005/0087543 A1* 4/2005 Smith 221/63
2005/0184082 A1* 8/2005 Smith 221/65

(71) Applicant: **Sycamore Israel (1994) Ltd.**, Petach
Tiqva (IL)

* cited by examiner

(72) Inventors: **Galit Bar-Tal**, Ganei Tiqva (IL); **Oded Havia-Nevo**, Palmahim (IL); **Rachel Igra**, Givat Shmuel (IL)

Primary Examiner — Robert M Spear

(**) Term: **14 Years**

(57) **CLAIM**

The ornamental design for a canister lid, as shown and described.

(21) Appl. No.: **29/449,345**

DESCRIPTION

(22) Filed: **Apr. 5, 2013**

(51) **LOC (10) Cl.** **09-07**

(52) **U.S. Cl.**
USPC **D9/449**

(58) **Field of Classification Search**
CPC B65D 47/08
USPC D9/434, 435, 439, 440, 443, 446, 447,
D9/449, 453, 454, 417, 529; D7/396.2,
D7/392.1; 215/235, 236, 306;
220/254.2–254.5, 259.2, 263, 283,
220/715, 837; 222/212, 484, 556
See application file for complete search history.

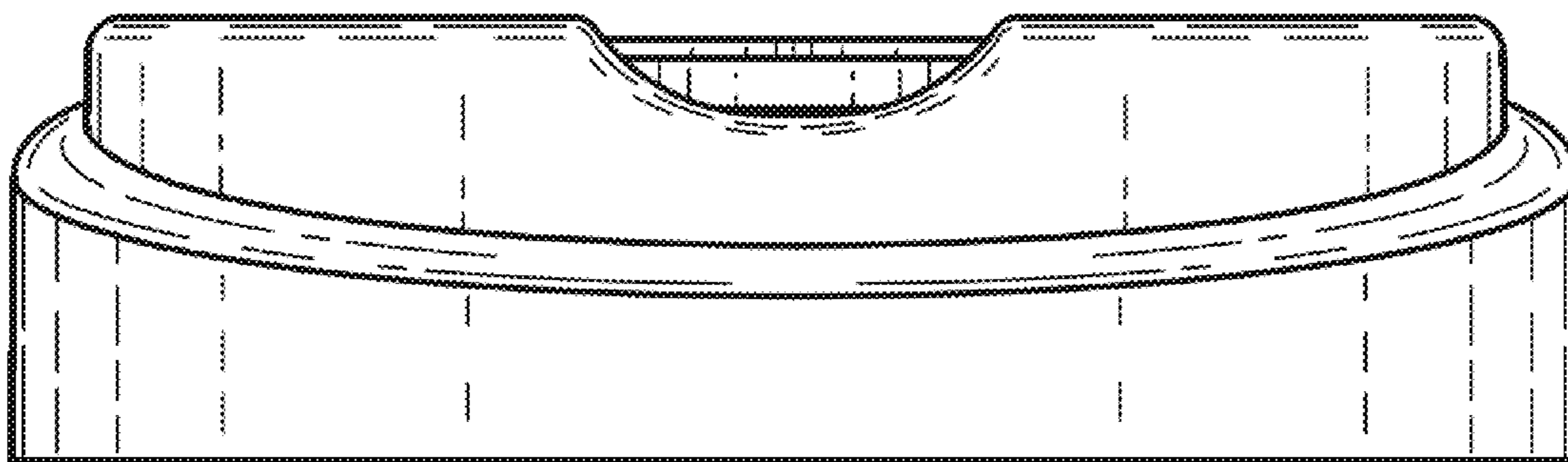
FIG. 1 is a front plan view of a canister lid with the lid in an open position, showing our new design;
FIG. 2 is a front plan view thereof with the lid closed;
FIG. 3 is a back plan view thereof with the lid in an open position;
FIG. 4 is a back plan view thereof with the lid closed;
FIG. 5 is a right side plan view thereof with the lid in an open position;
FIG. 6 is a right side plan view thereof with the lid closed;
FIG. 7 is a left side plan view thereof with the lid in an open position;
FIG. 8 is a left side plan view thereof with the lid closed;
FIG. 9 is a top plan view thereof with the lid in an open position;
FIG. 10 is a top plan view thereof with the lid closed;
FIG. 11 is a bottom plan view thereof with the lid in an open position;
FIG. 12 is a bottom plan view thereof with the lid closed;
FIG. 13 is an isometric view thereof with the lid in an open position; and,
FIG. 14 is an isometric view thereof with the lid closed.
The broken lines are for purposes of illustrating unclaimed portions of the canister lid and form no part of the claimed design.

(56) **References Cited**

U.S. PATENT DOCUMENTS

4,545,508 A * 10/1985 Cribb et al. 222/153.06
5,400,912 A * 3/1995 Brown et al. 215/238
5,464,112 A * 11/1995 Guillot 215/254
D366,418 S * 1/1996 Lown et al. D9/449
D369,942 S * 5/1996 Ahern, Jr. D7/391
5,582,314 A * 12/1996 Quinn et al. 220/326
D426,772 S * 6/2000 Kahl D9/449
6,460,712 B2 * 10/2002 Smith et al. 215/235
6,889,867 B1 * 5/2005 Smith 221/33
D538,652 S * 3/2007 De Groot et al. D9/449
7,510,095 B2 * 3/2009 Comeau et al. 215/321
D624,414 S * 9/2010 Benoit-Gonin et al. D9/449

1 Claim, 7 Drawing Sheets



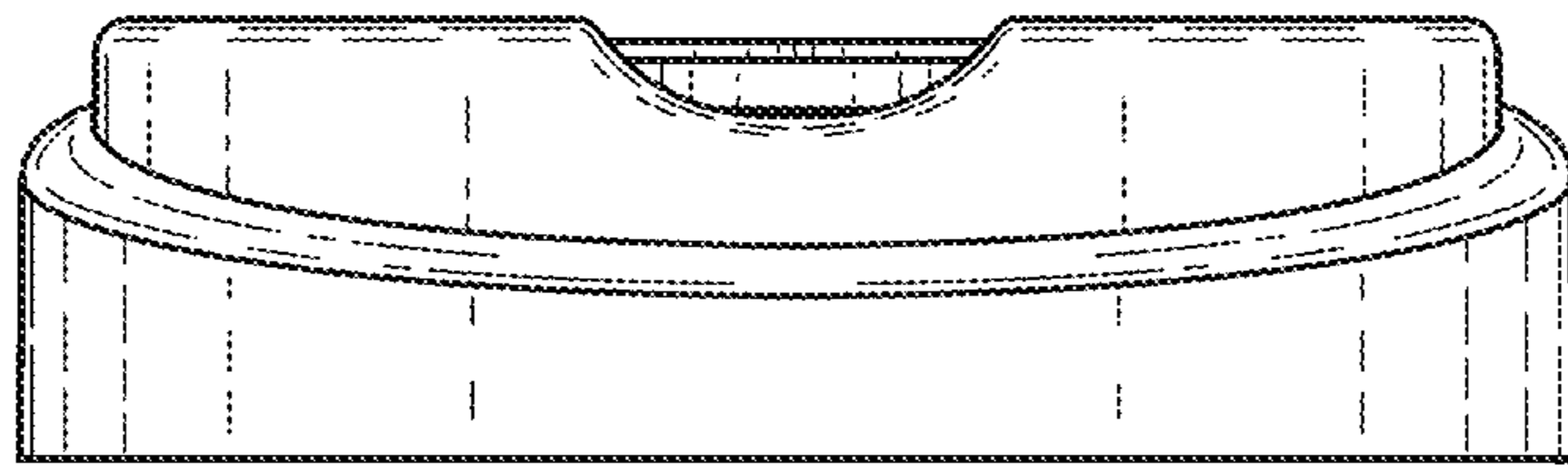


FIG. 1

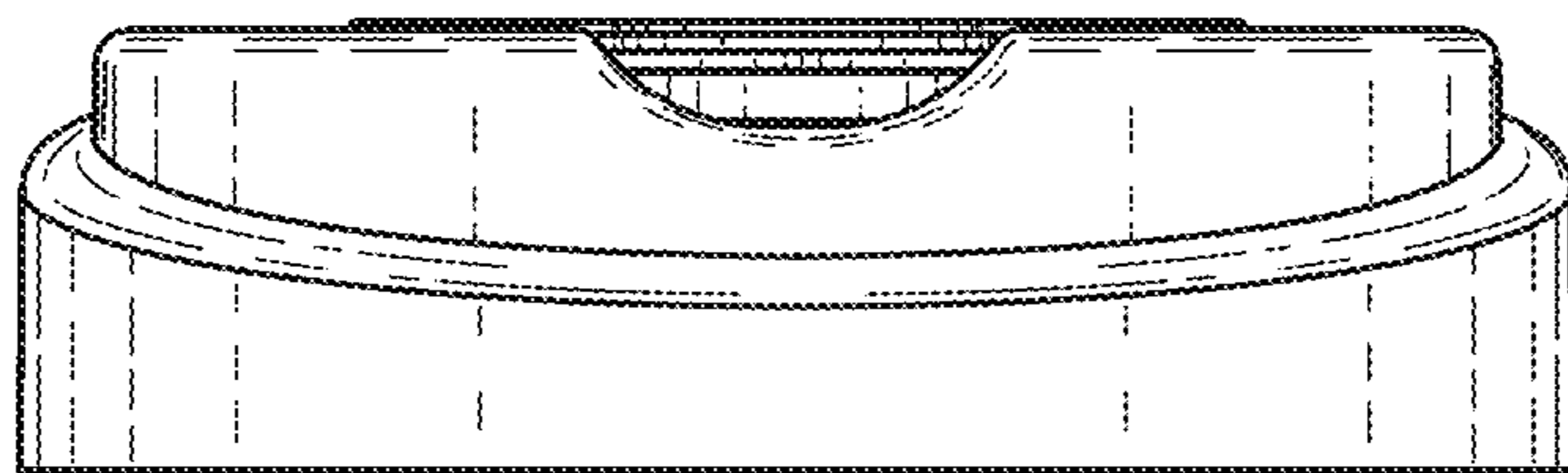


FIG. 2

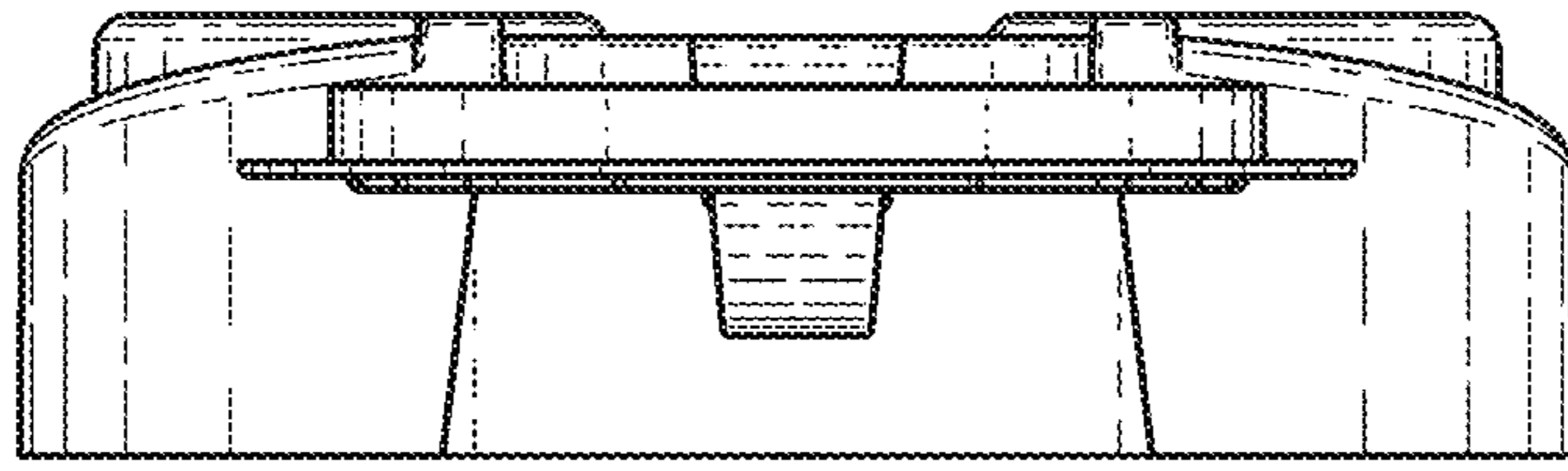


FIG. 3

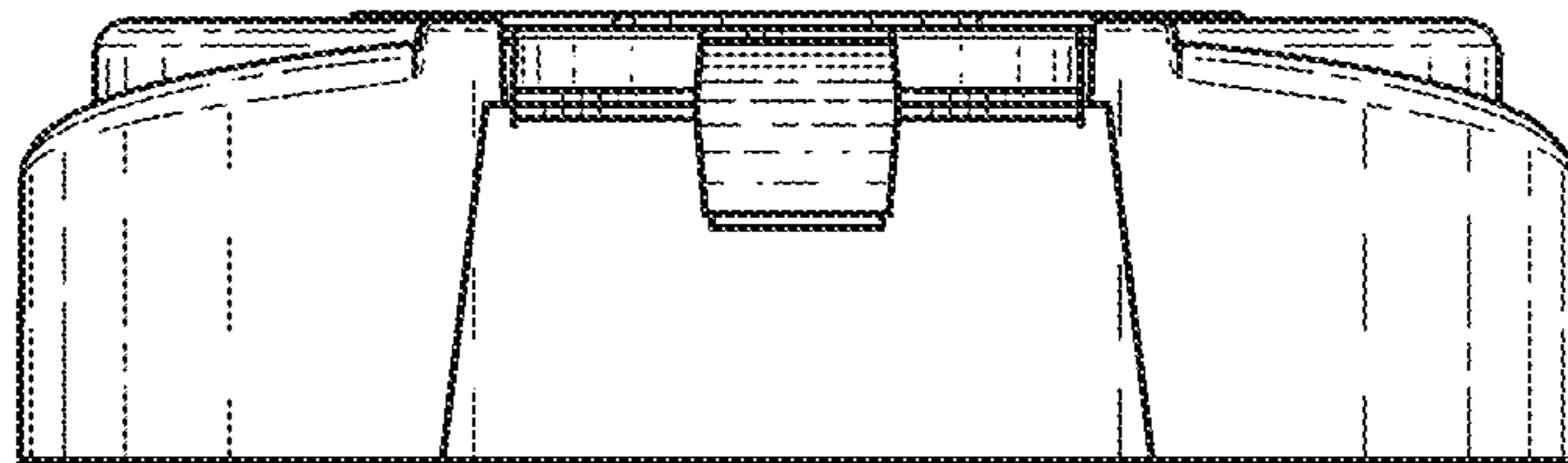


FIG. 4

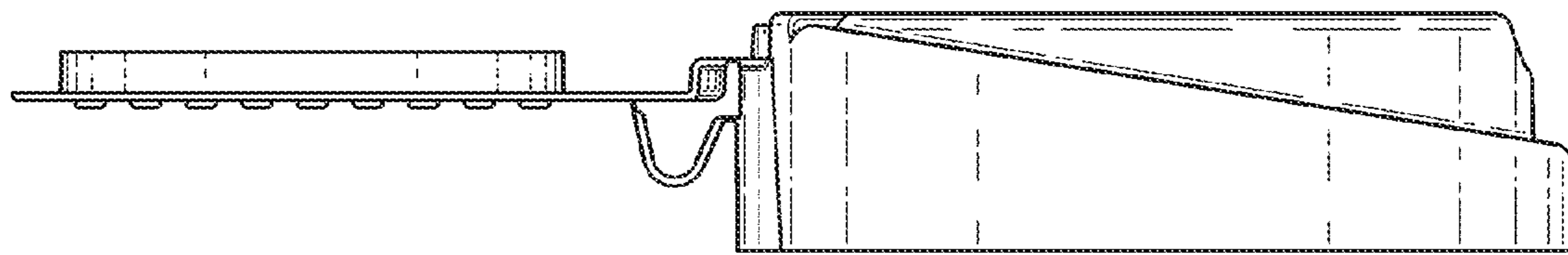


FIG. 5

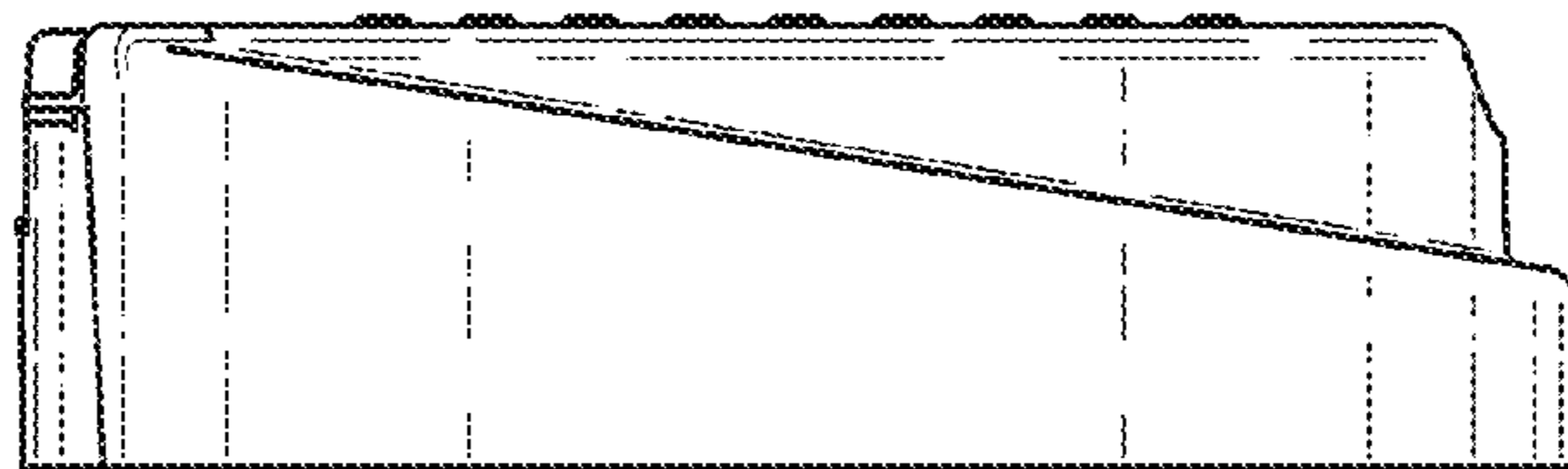


FIG. 6

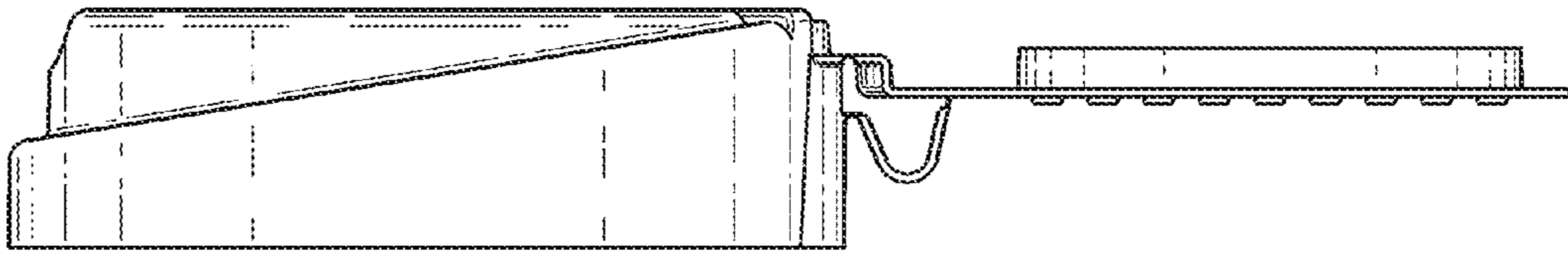


FIG. 7

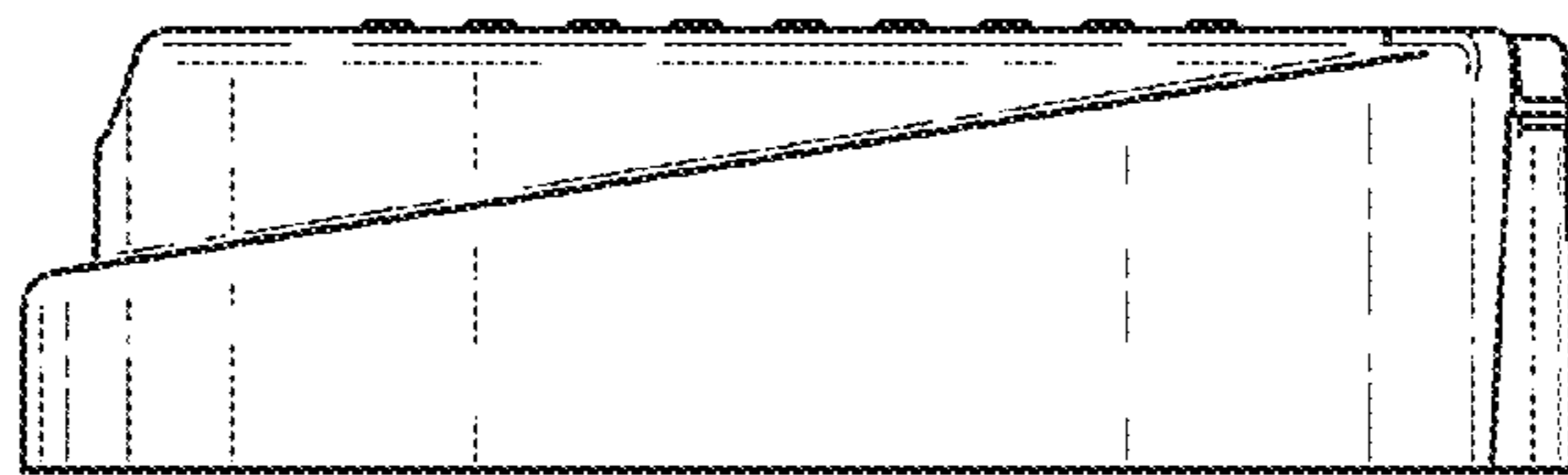


FIG. 8

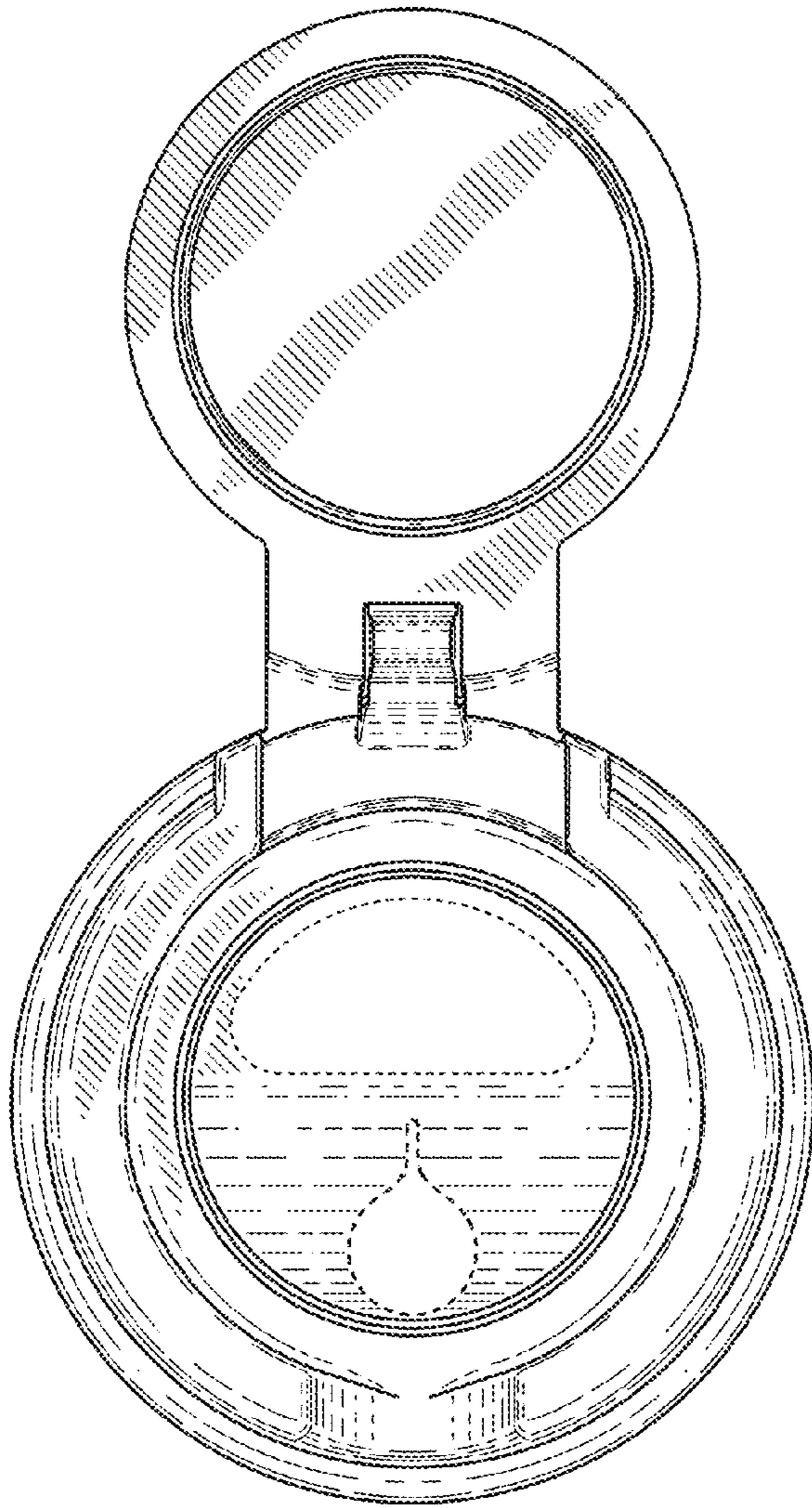


FIG. 9

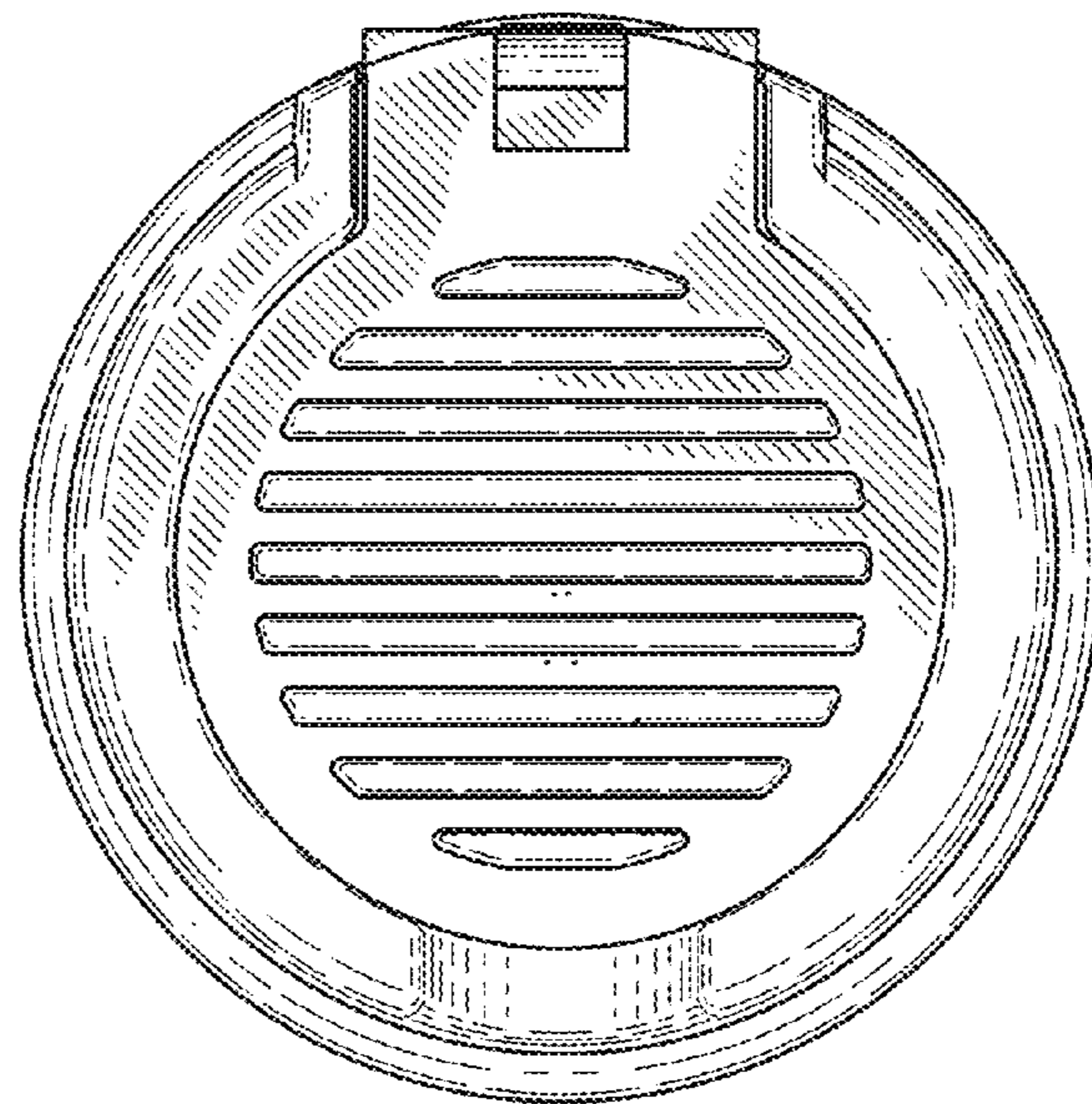


FIG. 10

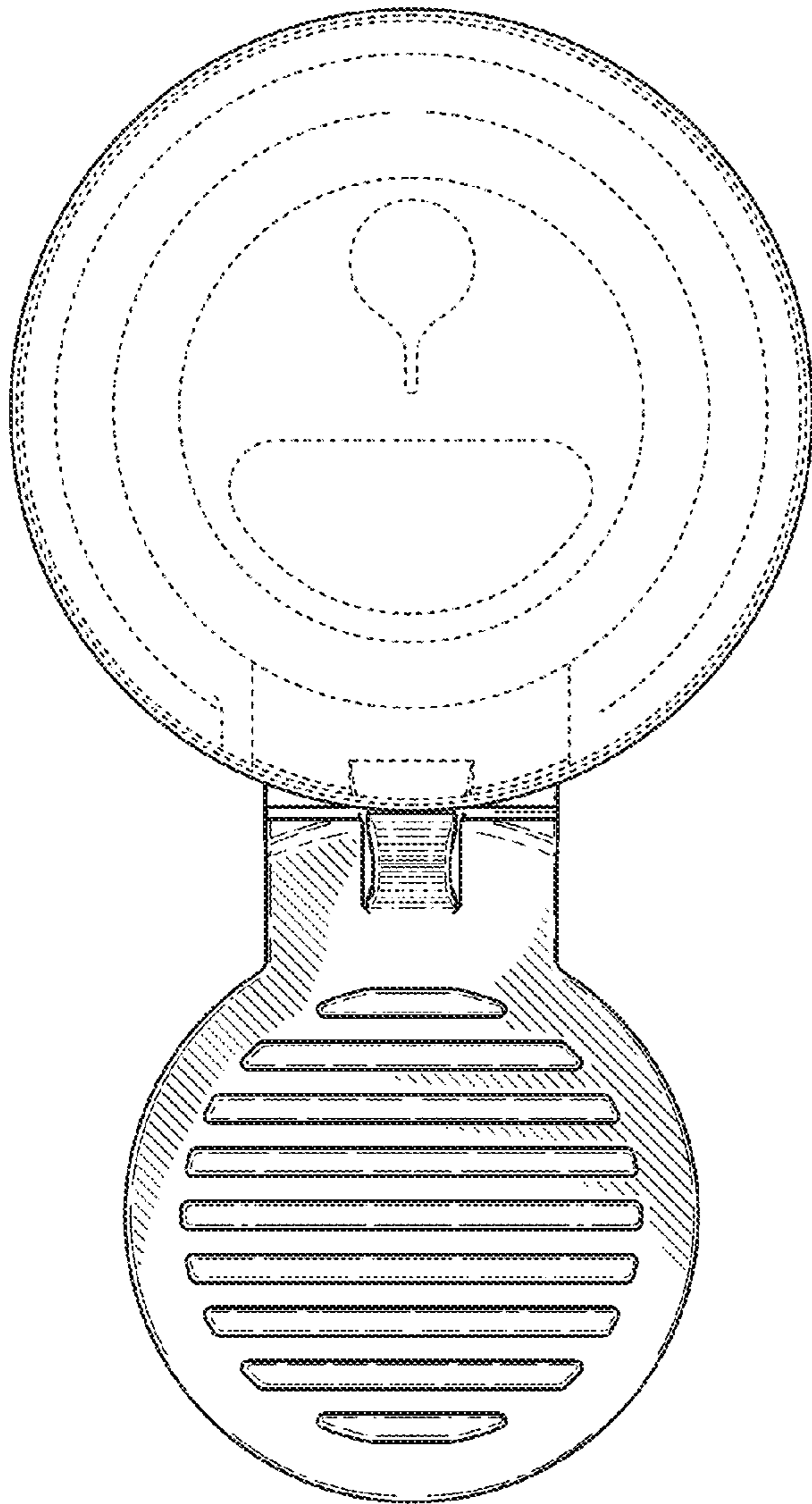


FIG. 11

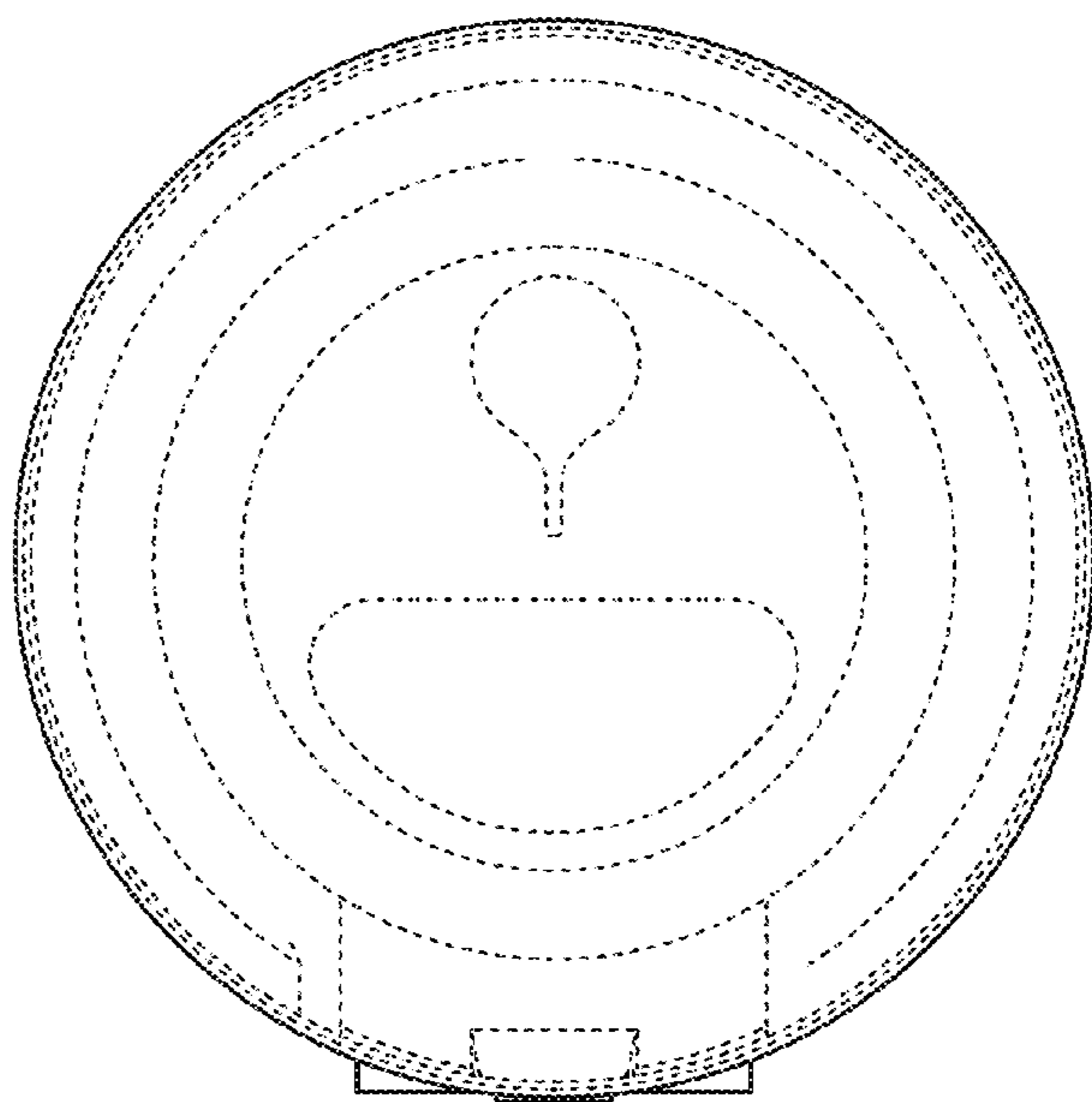


FIG. 12

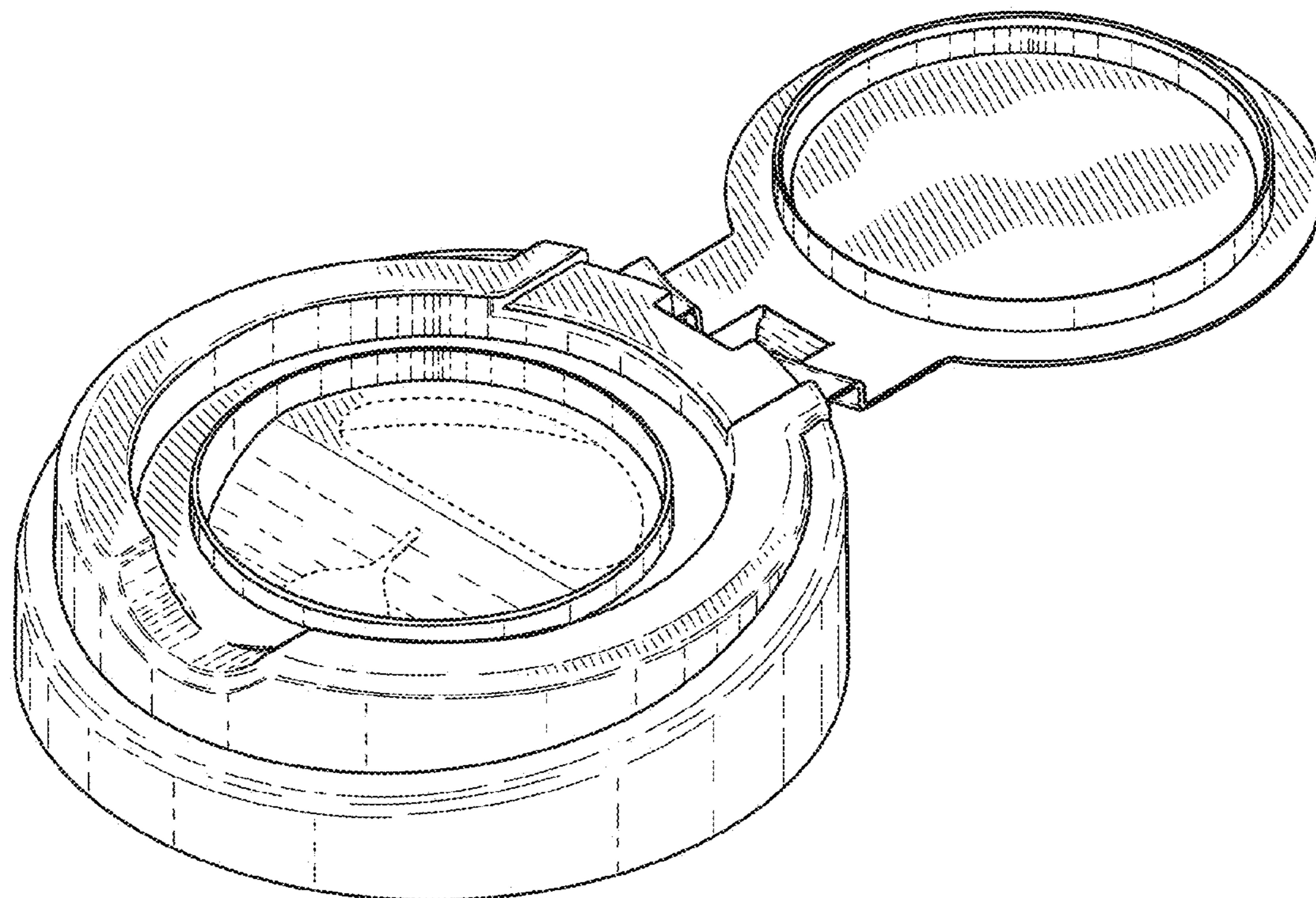


FIG. 13

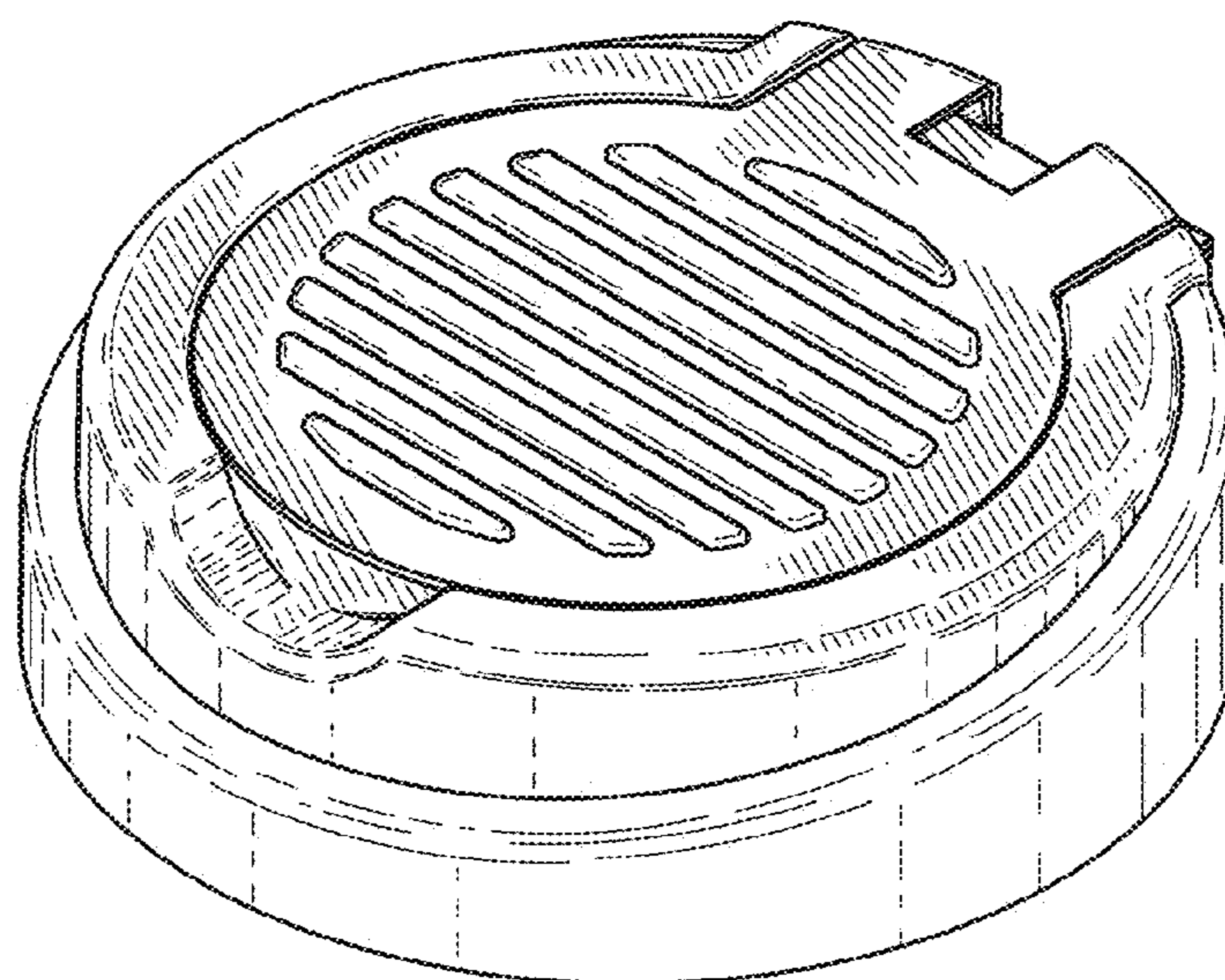


FIG. 14