



US00D704054S

(12) **United States Design Patent**
Fleming

(10) **Patent No.:** **US D704,054 S**

(45) **Date of Patent:** **** *May 6, 2014**

(54) **LID FOR BEVERAGE CONTAINER**

(76) Inventor: **Douglas H. Fleming**, Bainbridge Island, WA (US)

(*) Notice: This patent is subject to a terminal disclaimer.

(**) Term: **14 Years**

(21) Appl. No.: **29/416,597**

(22) Filed: **Mar. 23, 2012**

(51) **LOC (10) Cl.** **09-07**

(52) **U.S. Cl.**
CPC .. **A47G 19/2272** (2013.01); **B65D 2543/00046** (2013.01)
USPC **D9/447**

(58) **Field of Classification Search**

USPC D9/449, 447, 438, 435, 434; D7/510, D7/511, 396.2, 392.1; 229/906.1; 220/812, 220/713, 268, 254.9, 254.3, 253
See application file for complete search history.

(56) **References Cited**

U.S. PATENT DOCUMENTS

2,358,600 A	9/1944	Selten
2,362,354 A	11/1944	Clovis
3,360,161 A	12/1967	Smith
3,400,855 A	9/1968	Alexander
3,868,043 A	2/1975	Freemyer
3,938,695 A	2/1976	Ruff
4,085,861 A	4/1978	Ruff
4,582,214 A	4/1986	Dart et al.
4,586,625 A	5/1986	Garrett
4,589,569 A	5/1986	Clements
4,609,124 A	9/1986	Malloy
4,619,372 A	10/1986	McFarland
D287,919 S	1/1987	Clements
4,768,674 A	9/1988	Prescott
D299,010 S	12/1988	Wall

4,938,377 A	7/1990	Jarvis	
4,986,437 A	1/1991	Farmer	
5,111,961 A	5/1992	Van Melle	
D345,673 S *	4/1994	Dark D7/392.1
5,370,258 A	12/1994	Fair	
5,398,843 A	3/1995	Warden et al.	
5,540,350 A	7/1996	Lansky	
5,542,670 A	8/1996	Morano	

(Continued)

FOREIGN PATENT DOCUMENTS

CA	2212228	7/2002
CA	2635219	7/2008

(Continued)

OTHER PUBLICATIONS

Louise Harpman & Scott Specht, Cabinet Magazine, Inventory/Peel, Pucker, Pinch, Puncture. Issue 19, Chance Fall 2005 (2005-09-00). <http://www.cabinetmagazine.org/issues/19/harpman.php> (4 pages).

(Continued)

Primary Examiner — Robert M Spear
(74) *Attorney, Agent, or Firm* — R. Reams Goodloe, Jr.

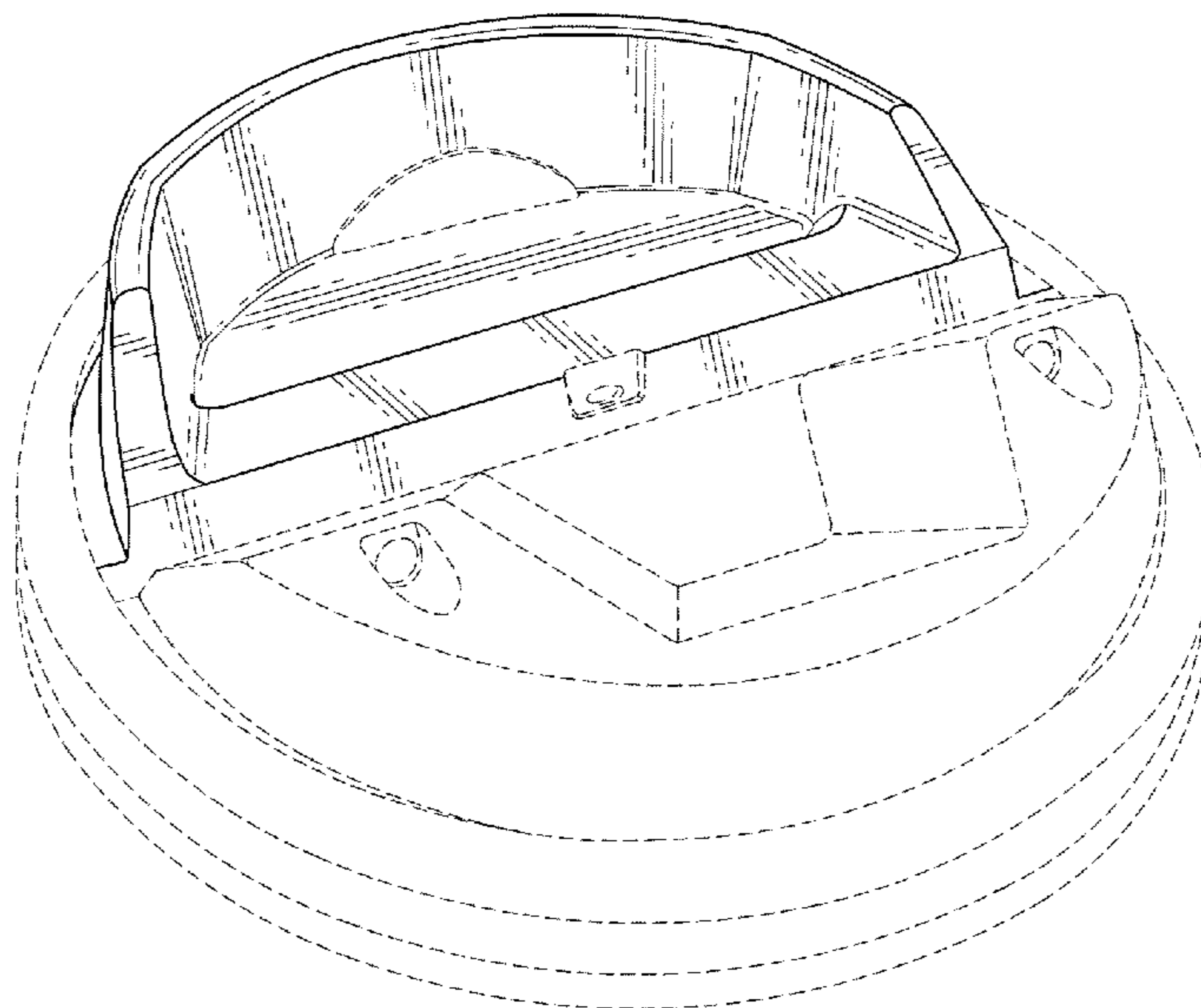
(57) **CLAIM**

The ornamental design for a lid for a beverage container, as shown and described.

DESCRIPTION

FIG. 1 is a perspective view of a lid for a beverage container showing the novel design.
FIG. 2 is a front side view thereof.
FIG. 3 is a back side view thereof.
FIG. 4 is a left side view thereof.
FIG. 5 is a right side view thereof.
FIG. 6 is a top plan view thereof; and,
FIG. 7 is a bottom plan view thereof.

1 Claim, 3 Drawing Sheets



(56)

References Cited

U.S. PATENT DOCUMENTS

5,820,016 A 10/1998 Stropkay
 5,894,952 A 4/1999 Mendenhall et al.
 5,897,019 A 4/1999 Stropkay
 5,988,426 A 11/1999 Stern
 6,003,711 A 12/1999 Bilewitz
 6,311,863 B1 11/2001 Fleming
 6,375,033 B1 4/2002 Fleming
 6,419,105 B1 7/2002 Bruce et al.
 6,571,973 B1 6/2003 Tripsianes
 6,644,490 B2 11/2003 Clarke
 D485,758 S 1/2004 Clarke et al.
 7,100,790 B2 9/2006 Dark
 D539,649 S 4/2007 Smith et al.
 D539,650 S 4/2007 Smith et al.
 D540,165 S 4/2007 Hollis et al.
 D546,180 S * 7/2007 Jowett et al. D9/447
 D547,605 S 7/2007 Edelstein et al.
 7,275,652 B2 10/2007 Morris et al.
 D592,056 S 5/2009 Tedford, Jr.
 D592,952 S 5/2009 Hundley et al.
 7,591,393 B2 9/2009 Crudgington, Jr.
 D632,174 S 2/2011 Charbonnet et al.
 D634,192 S 3/2011 Mueller
 D635,855 S 4/2011 Smith et al.
 D637,079 S 5/2011 Brown et al.
 7,959,029 B2 6/2011 Whitaker et al.

D655,162 S 3/2012 Daniel
 D656,023 S 3/2012 Baker et al.
 2007/0114236 A1 5/2007 Shiffer et al.
 2008/0011762 A1* 1/2008 Boone 220/713
 2008/0061069 A1 3/2008 Edelstein et al.
 2009/0266829 A1 10/2009 Bailey
 2009/0294459 A1 12/2009 Hovsepian et al.
 2009/0294460 A1 12/2009 Hovsepian et al.
 2011/0114655 A1 5/2011 Bailey
 2011/0266294 A1 11/2011 Charbonnet et al.

FOREIGN PATENT DOCUMENTS

GB 2307633 A 6/1997
 WO WO 96/39068 12/1996
 WO WO 2009/008587 A1 1/2009
 WO WO 2009/036426 A2 3/2009

OTHER PUBLICATIONS

Nicola, Edible Geography, The Evolution of Lids. (May 9, 2011), <http://www.ediblegeography.com/the-evolution-of-lids/> (7 pages).
 Date unknown. Printed Nov. 15, 2013. Product Design (physical goods): Why is the Solo Traveler the dominant coffee cup lid? <http://www.quora.com/Product-Design-physical-goods/Why-is-the-Solo-Traveler-the-dominant-coffee-cup-lid/> (7 pages).
 US 6,003,721, 12/1999, Fleming (withdrawn)

* cited by examiner

FIG. 1

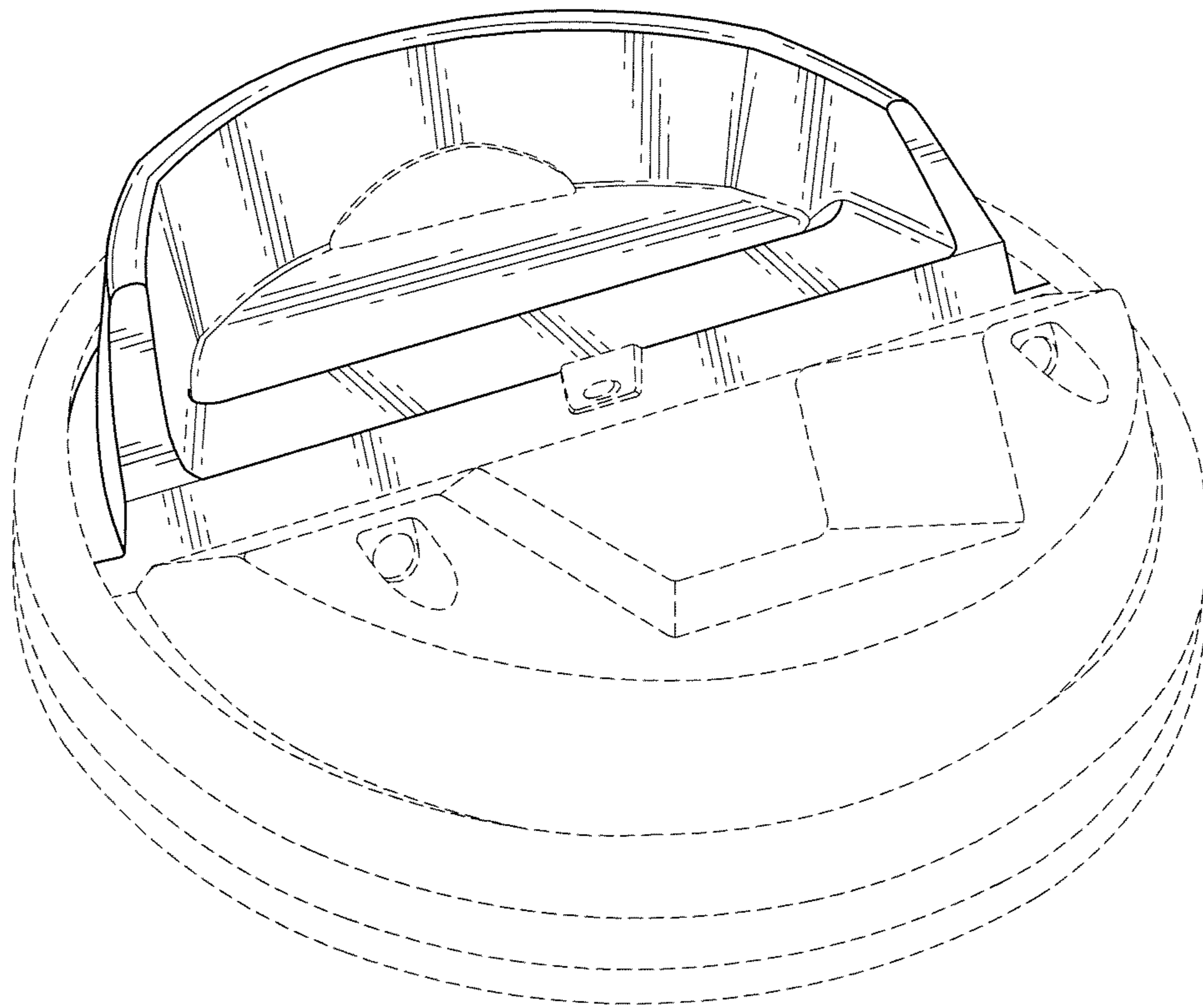


FIG. 2

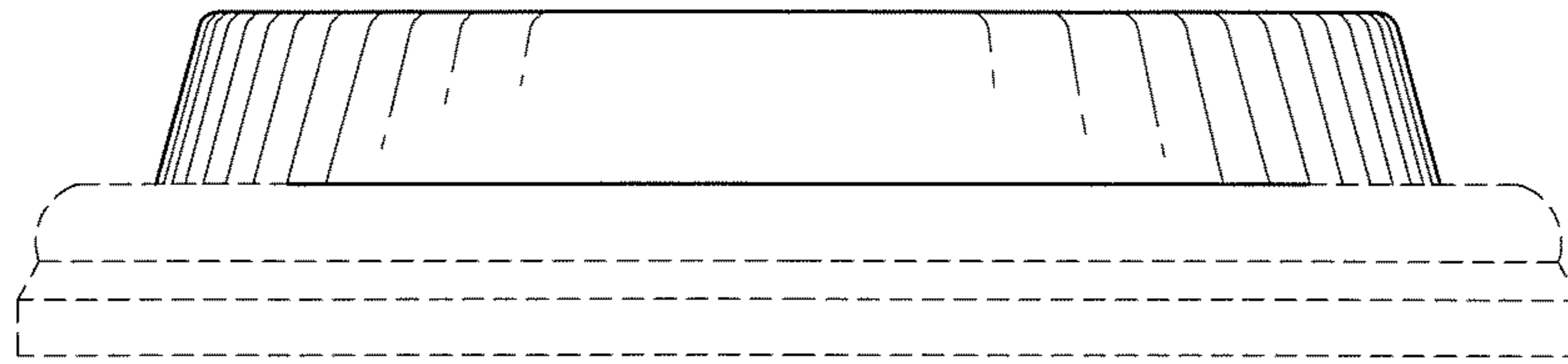


FIG. 3

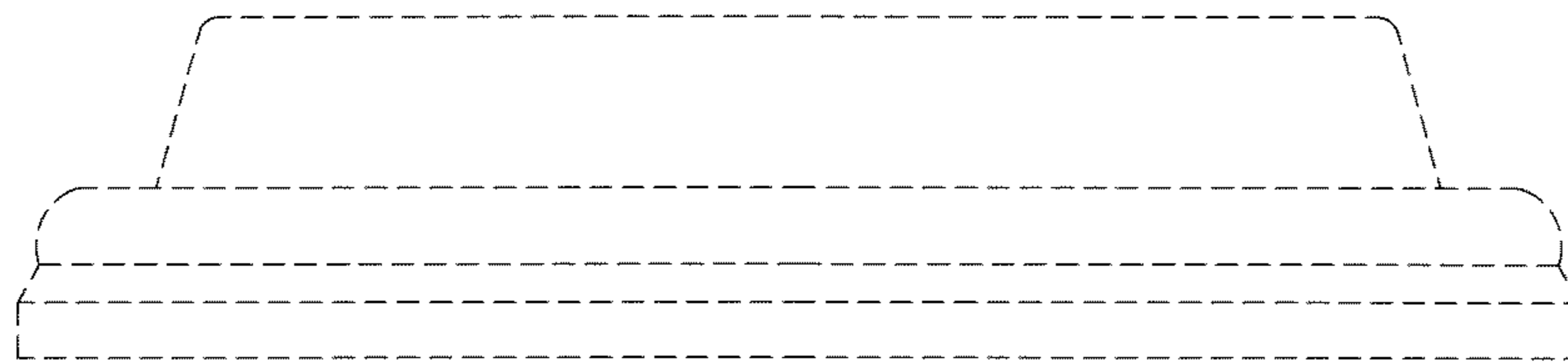


FIG. 4

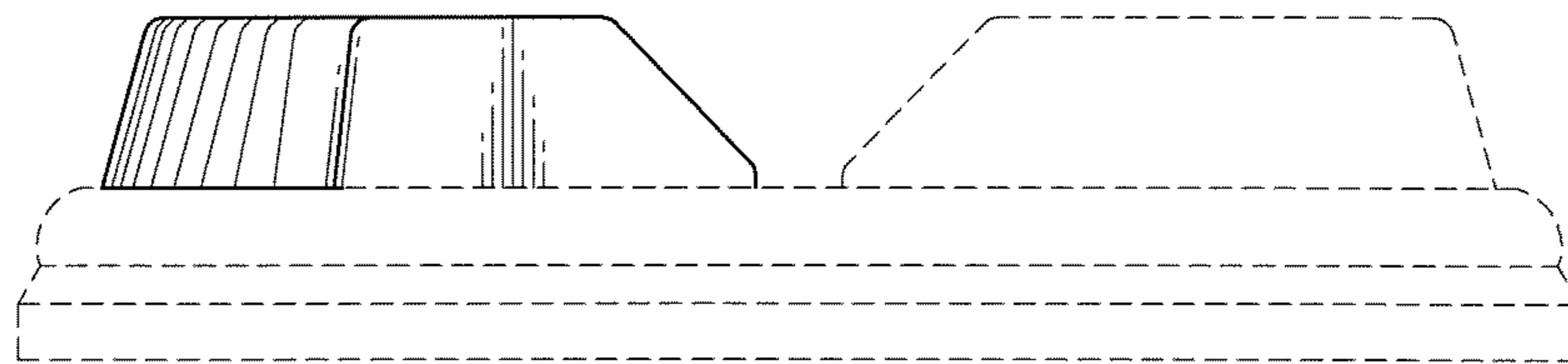


FIG. 5

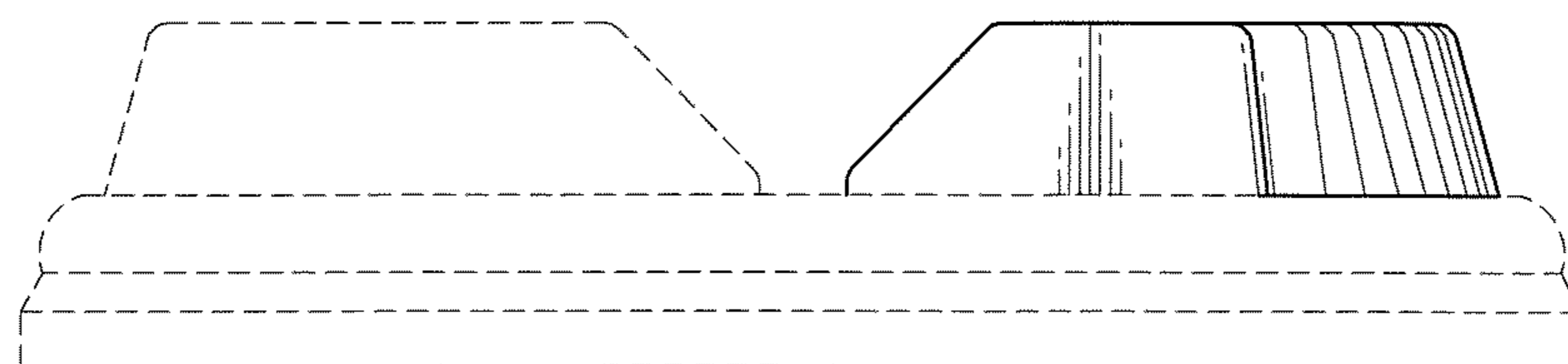


FIG. 6

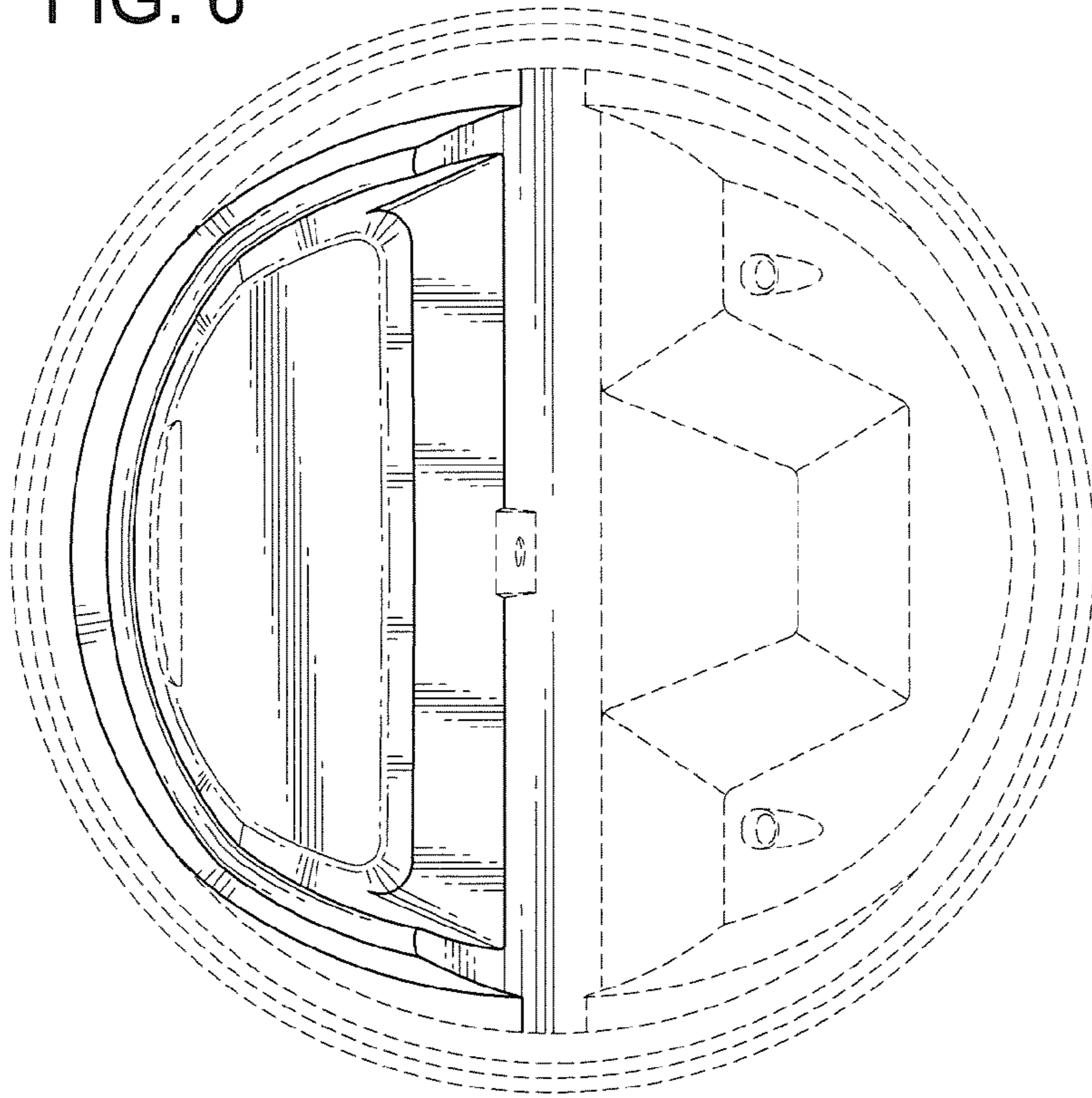
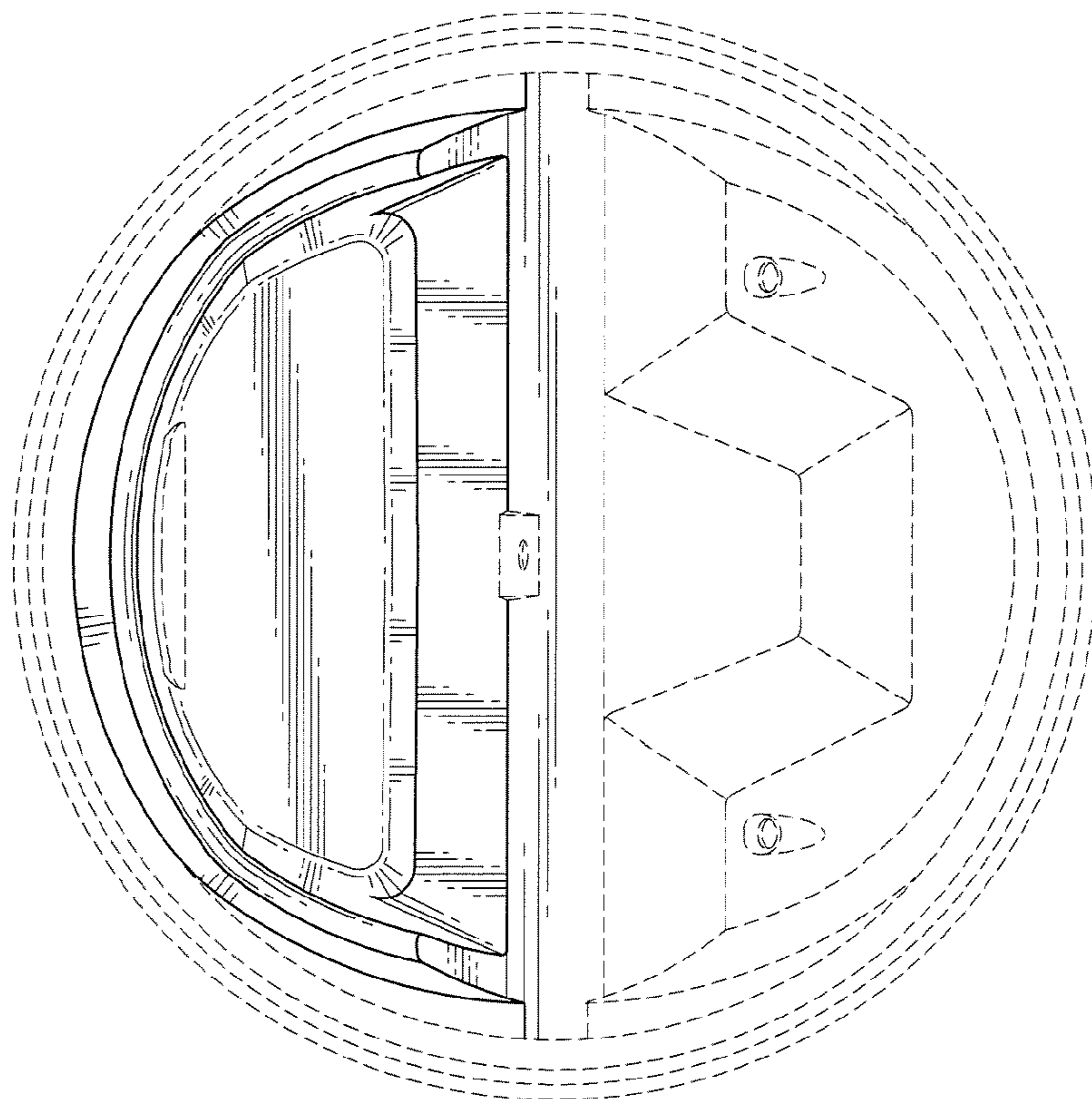


FIG. 7



UNITED STATES PATENT AND TRADEMARK OFFICE
CERTIFICATE OF CORRECTION

PATENT NO. : D704,054 S
APPLICATION NO. : 29/416597
DATED : May 6, 2014
INVENTOR(S) : Douglas H. Fleming

Page 1 of 1

It is certified that error appears in the above-identified patent and that said Letters Patent is hereby corrected as shown below:

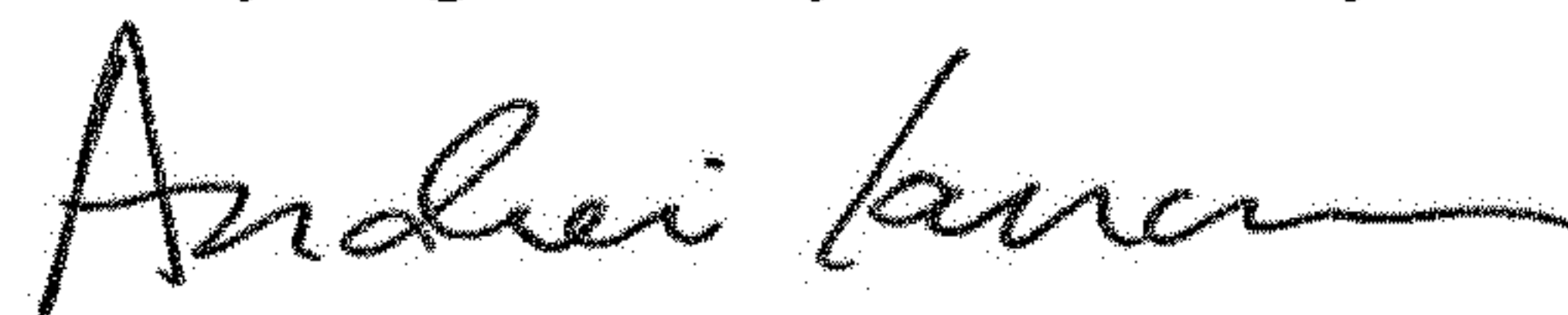
On the Title Page

Item (54) title, delete "LID FOR BEVERAGE CONTAINER" and insert,
--A LID FOR A BEVERAGE CONTAINER--

IN THE DESCRIPTION:

Column 2, Line 1 under "Description", before reference to Fig. 1, insert
--A lid for beverage container--.

Signed and Sealed this
Twenty-eighth Day of January, 2020



Andrei Iancu
Director of the United States Patent and Trademark Office