



US00D704053S

(12) **United States Design Patent**
Kim

(10) **Patent No.:** **US D704,053 S**

(45) **Date of Patent:** **** May 6, 2014**

(54) **LID OF CUP**

(75) Inventor: **Sung Il Kim**, Yongin Si (KR)

(73) Assignee: **K & Lab Co., Ltd.**, Anyang Si,
Gyeonggi-Do (KR)

(**) Term: **14 Years**

(21) Appl. No.: **29/416,204**

(22) Filed: **Mar. 20, 2012**

(30) **Foreign Application Priority Data**

Sep. 20, 2011 (KR) 30-2011-0039053

(51) **LOC (10) Cl.** **09-07**

(52) **U.S. Cl.**

CPC **A47G 19/2272** (2013.01)

USPC **D9/447**

(58) **Field of Classification Search**

CPC A47G 19/2272

USPC D9/449, 447, 438, 435, 434; D7/510,

D7/511, 396.2, 392.1; 229/906.1; 220/812,

220/713, 268, 254.9, 254.3, 253

See application file for complete search history.

(56) **References Cited**

U.S. PATENT DOCUMENTS

D287,919 S * 1/1987 Clements D7/392.1

D320,559 S * 10/1991 Olson D9/439

5,509,568 A * 4/1996 Warden et al. 220/711

D415,651 S *	10/1999	Trombly	D7/392.1
D417,845 S *	12/1999	Sadlier et al.	D9/447
D474,068 S *	5/2003	Fujii et al.	D7/392.1
D539,650 S *	4/2007	Smith et al.	D9/454
D543,777 S *	6/2007	Seum et al.	D7/392.1
D631,284 S *	1/2011	Fuller	D7/392.1
D649,878 S *	12/2011	Weiss	D9/447
D655,160 S *	3/2012	Daniel	D9/447
D657,670 S *	4/2012	Folos et al.	D9/447
D658,057 S *	4/2012	Donat	D9/447
D660,696 S *	5/2012	Weiss	D9/447
2006/0071008 A1 *	4/2006	Sadlier	220/713
2008/0011762 A1 *	1/2008	Boone	220/713
2011/0139800 A1 *	6/2011	Urban	220/713

* cited by examiner

Primary Examiner — Robert M Spear

(74) *Attorney, Agent, or Firm* — Kile Park Reed & Houtteman PLLC

(57) **CLAIM**

The ornamental design for a lid of cup, as shown and described.

DESCRIPTION

FIG. 1 is a top and front perspective view of a lid of cup, showing my new design;

FIG. 2 is a front view thereof;

FIG. 3 is a rear view thereof;

FIG. 4 is a left side view thereof;

FIG. 5 is a right side view thereof;

FIG. 6 is a top plan view thereof; and,

FIG. 7 is a bottom plan view thereof.

1 Claim, 5 Drawing Sheets

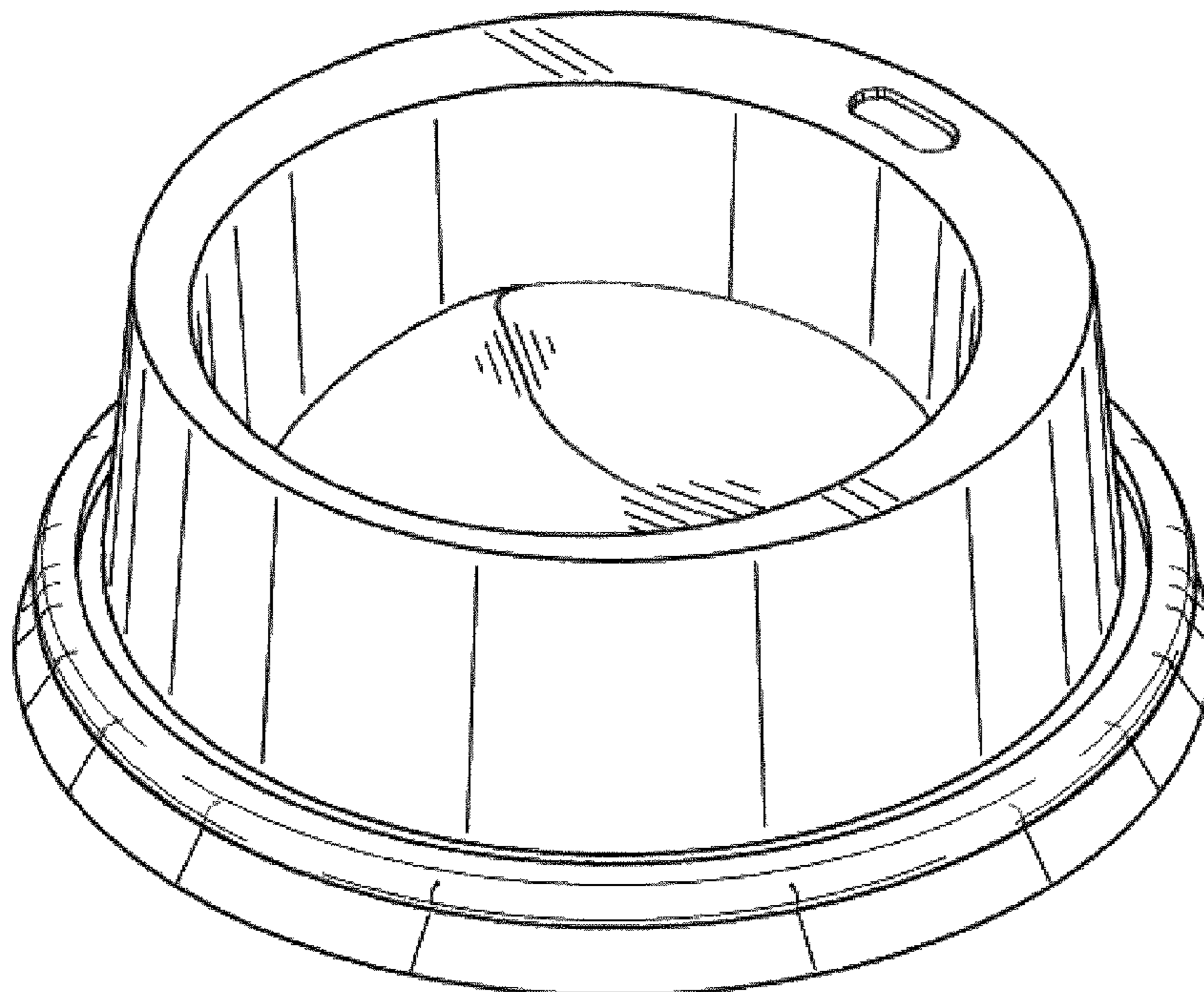


Fig. 1

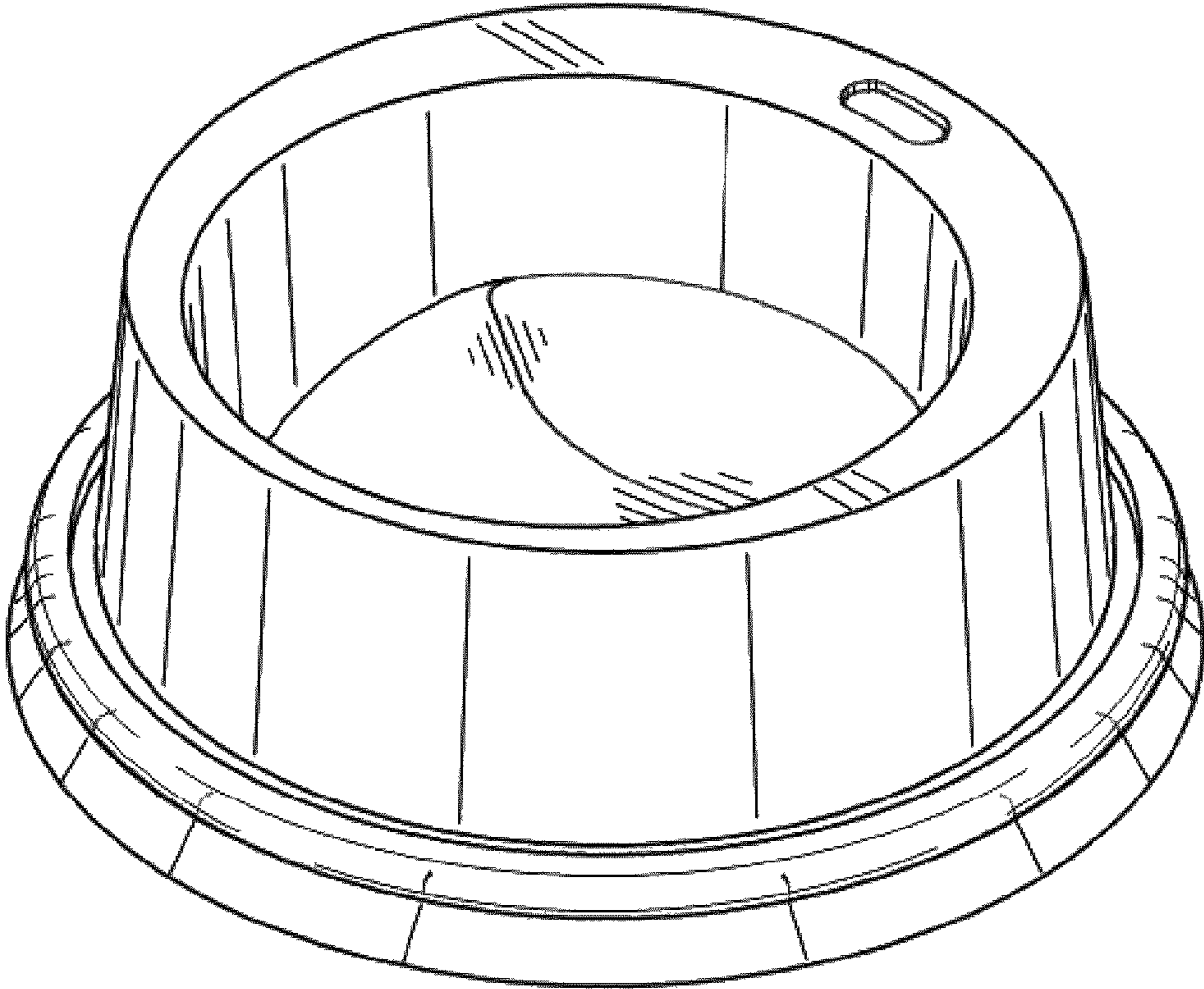


Fig. 2

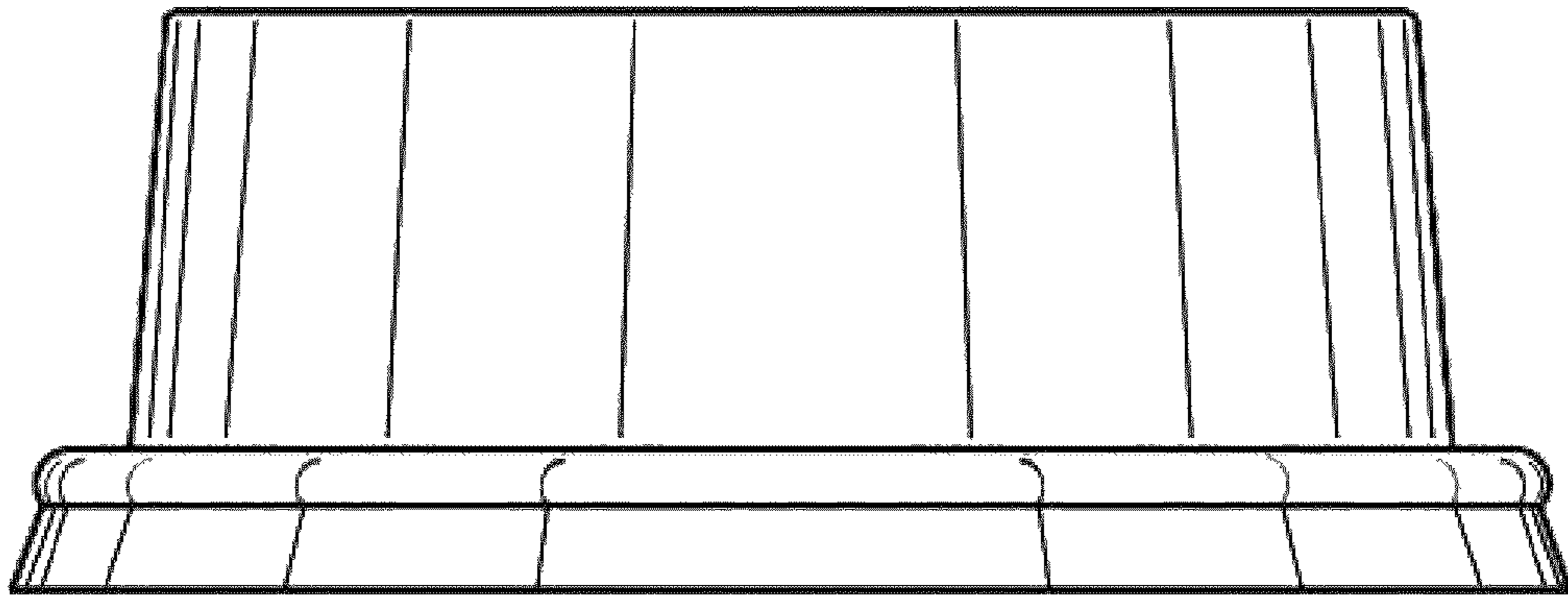


Fig. 3

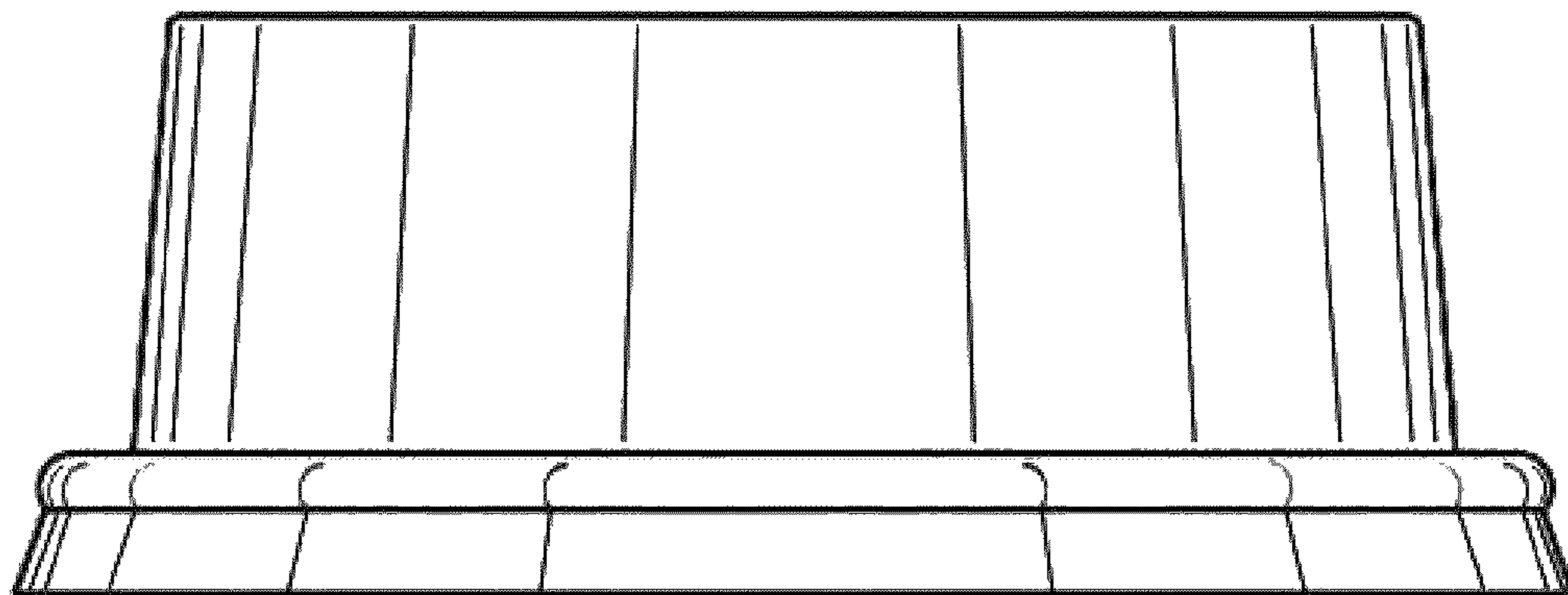


Fig. 4

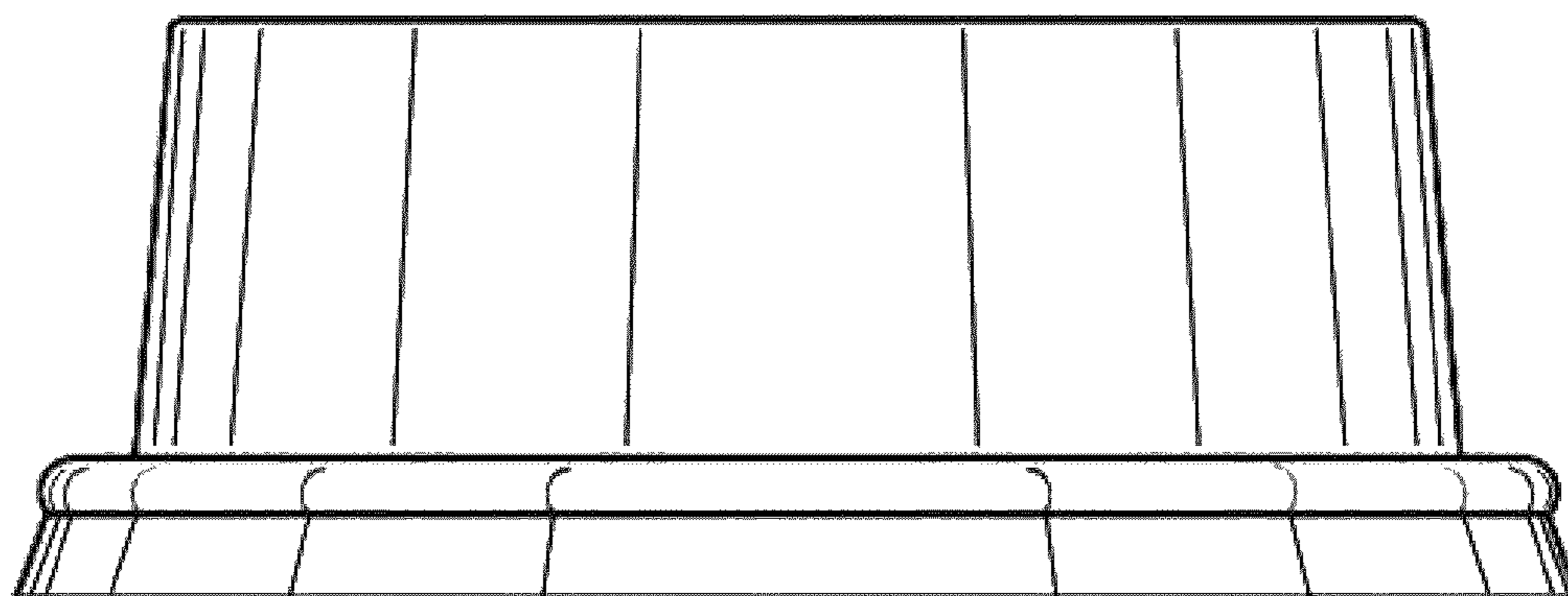


Fig. 5

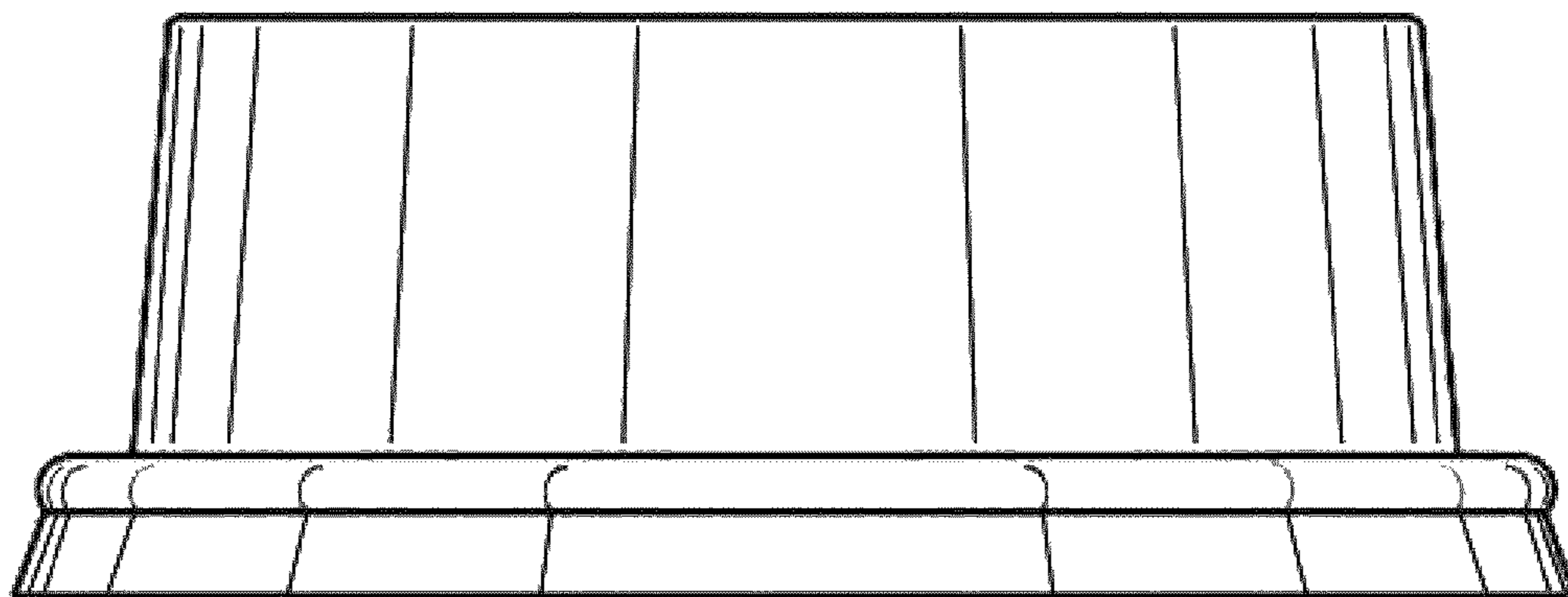


Fig. 6

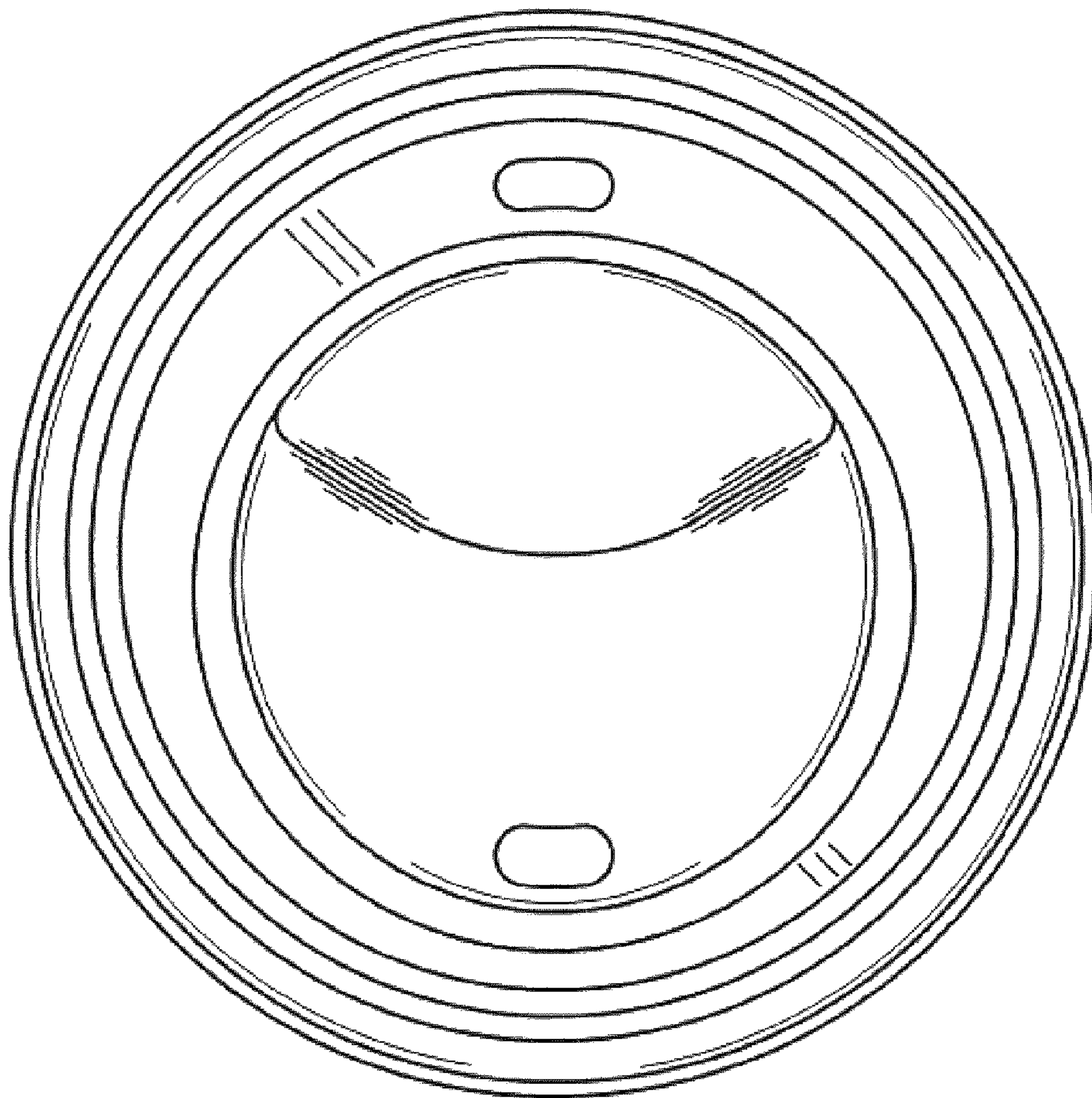


Fig. 7

