



US00D704052S

(12) **United States Design Patent**
Yoshii et al.

(10) **Patent No.:** **US D704,052 S**
(45) **Date of Patent:** **** May 6, 2014**

- (54) **PACKAGING CONTAINER CAP**
- (71) Applicant: **Kao Corporation**, Tokyo (JP)
- (72) Inventors: **Keiji Yoshii**, Tokyo (JP); **Noboru Chiba**, Tokyo (JP)
- (73) Assignee: **Kao Corporation**, Tokyo (JP)
- (**) Term: **14 Years**
- (21) Appl. No.: **29/462,017**
- (22) Filed: **Jul. 30, 2013**

D574,239	S	*	8/2008	Lin	D9/453
D578,889	S	*	10/2008	Sadiq	D9/453
D600,546	S	*	9/2009	Scilingo et al.	D8/397
D610,456	S	*	2/2010	Rognard	D9/452
D616,747	S	*	6/2010	Stull et al.	D9/452
D642,918	S	*	8/2011	Taylor	D9/453
D642,919	S	*	8/2011	Taylor	D9/453
D642,920	S	*	8/2011	Taylor	D9/453
D643,288	S	*	8/2011	Taylor	D9/453
7,988,004	B1	*	8/2011	Marret et al.	215/252
D675,096	S	*	1/2013	Obrist	D9/453
D675,526	S	*	2/2013	Obrist	D9/453
D681,462	S	*	5/2013	Taylor	D9/453
D681,463	S	*	5/2013	Taylor	D9/453
D681,464	S	*	5/2013	Taylor	D9/453
D687,709	S	*	8/2013	Taylor	D9/453

* cited by examiner

- (30) **Foreign Application Priority Data**
- Feb. 12, 2013 (JP) 2013-002682
- (51) **LOC (10) Cl.** **09-07**
- (52) **U.S. Cl.**
- USPC **D9/435; D9/452; D9/447**
- (58) **Field of Classification Search**
- USPC D9/435, 443, 452, 453; D23/250;
220/288, 254.8, 315; 215/209, 211,
215/213, 214, 216, 217, 221, 309, 330, 341,
215/343, 344, 345, 346, 347, 348, 349, 350,
215/351; 102/430, 439, 464, 516, 524;
86/23
- See application file for complete search history.

Primary Examiner — Thomas Johannes
Assistant Examiner — Leanne Thomas
 (74) *Attorney, Agent, or Firm* — Oblon, Spivak,
 McClelland, Maier & Neustadt, L.L.P.

(57) **CLAIM**
 The ornamental design for a packaging container cap, as shown and described.

DESCRIPTION

FIG. 1 is a front perspective view of a portion of packaging container cap showing my new design;
 FIG. 2 is a front view thereof;
 FIG. 3 is a rear view thereof;
 FIG. 4 is a left side view thereof;
 FIG. 5 is a right side view thereof;
 FIG. 6 is a top plan view thereof; and,
 FIG. 7 is a longitudinal cross section taken in the direction of line 7-7 presented in FIG. 5.
 The broken lines shown are included for the purpose of illustrating the unclaimed portions of the article and form no part of the claim.

1 Claim, 4 Drawing Sheets

- (56) **References Cited**
- U.S. PATENT DOCUMENTS
- 4,394,920 A * 7/1983 Jamer 215/253
- D364,808 S * 12/1995 King D9/438
- D415,684 S * 10/1999 Reidenbach D9/453
- D417,397 S * 12/1999 Forecast et al. D9/453
- D445,678 S * 7/2001 Malmborg D9/434
- D445,679 S * 7/2001 Malmborg D9/434
- D515,435 S * 2/2006 Muehlhausen D9/695
- D516,911 S * 3/2006 Bloom et al. D9/453

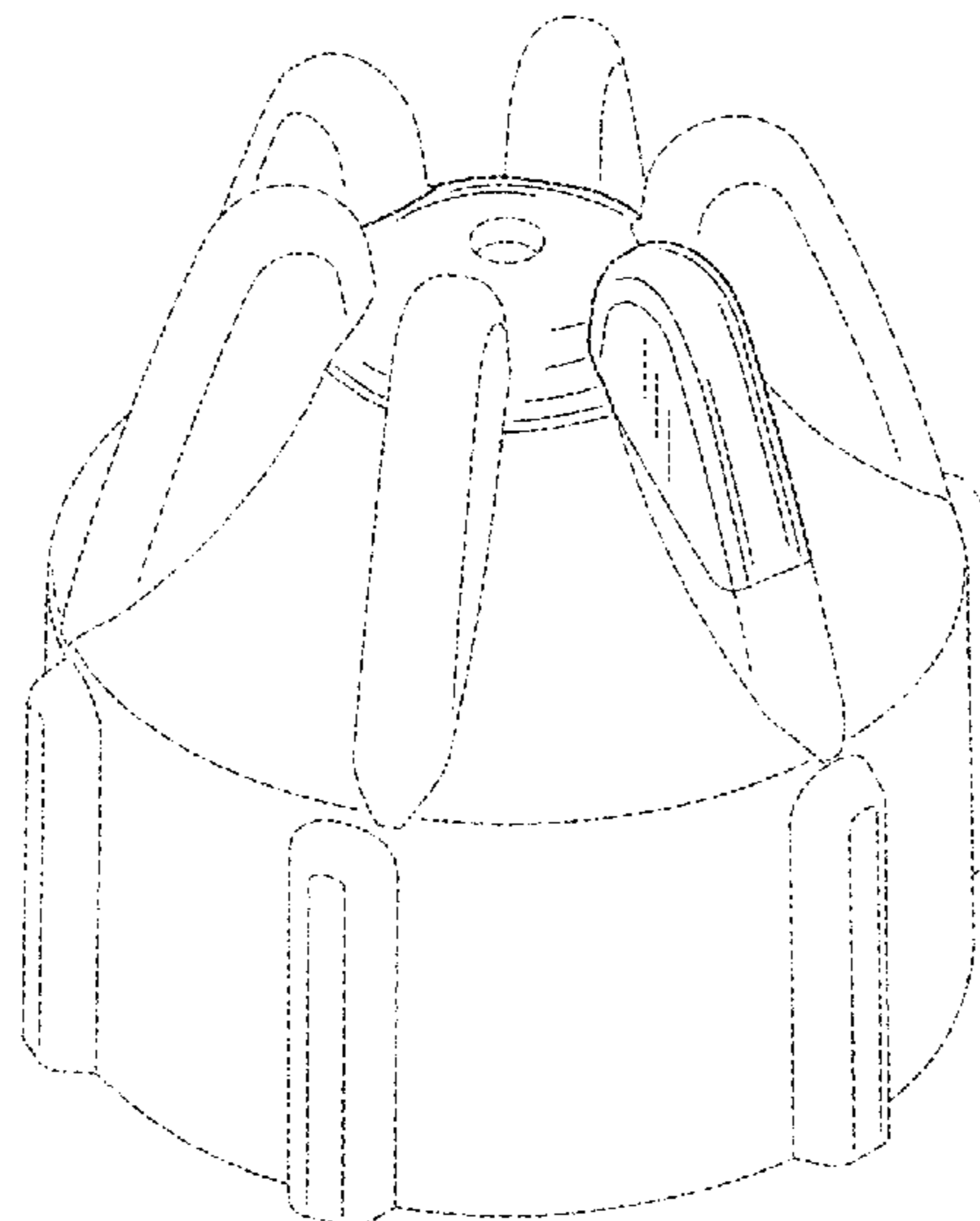


Fig. 1

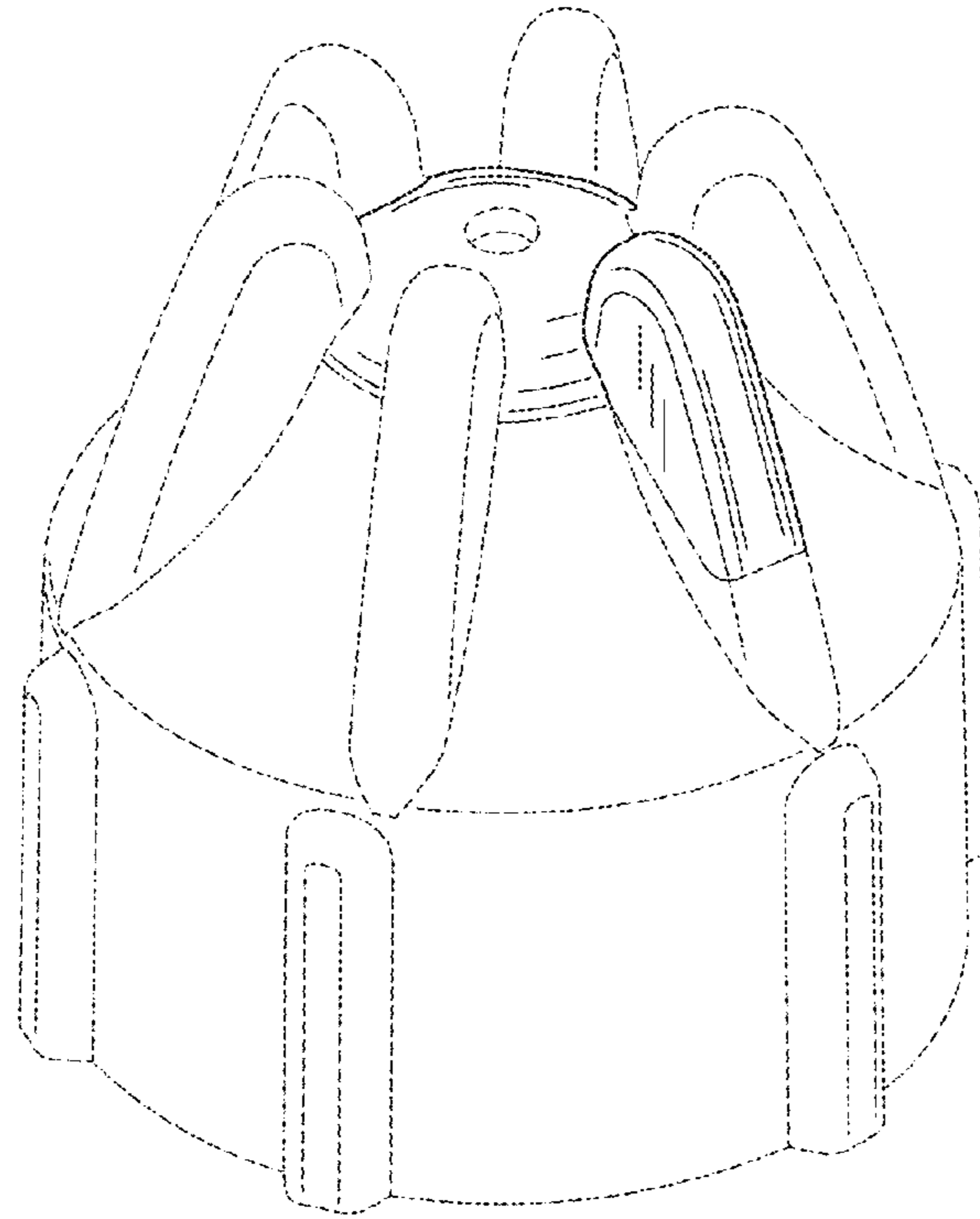


Fig. 2

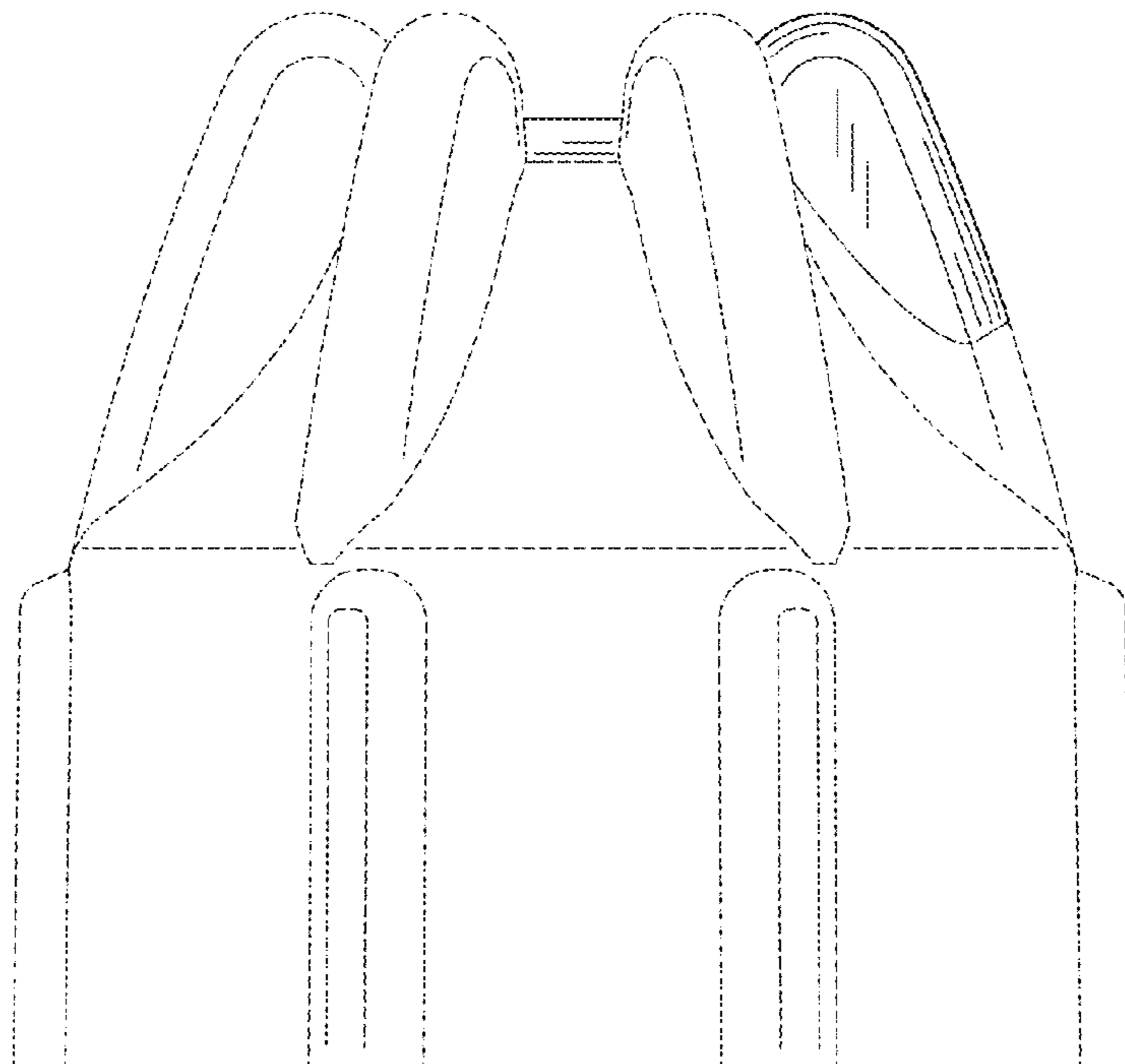


Fig. 3

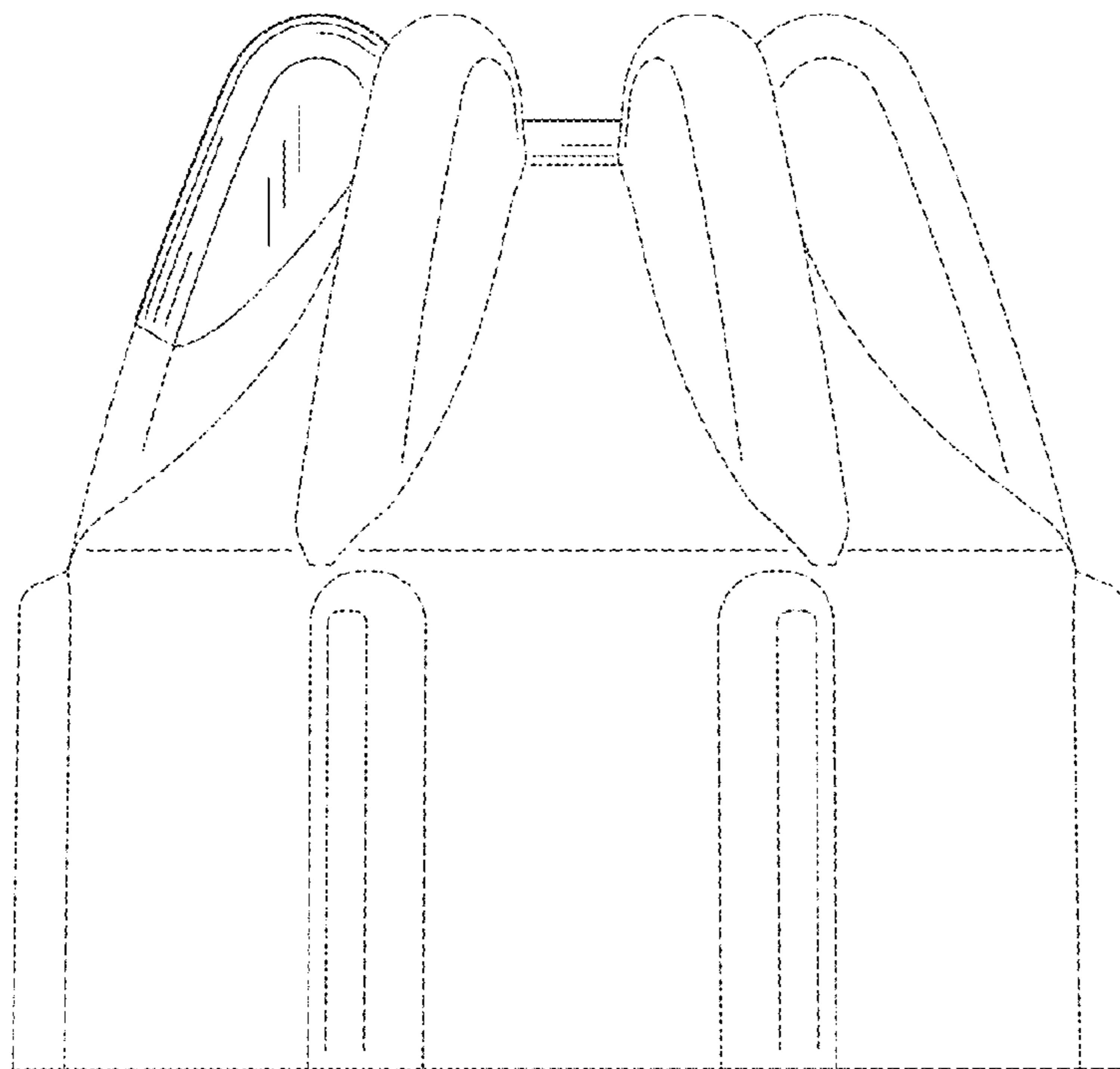


Fig. 4

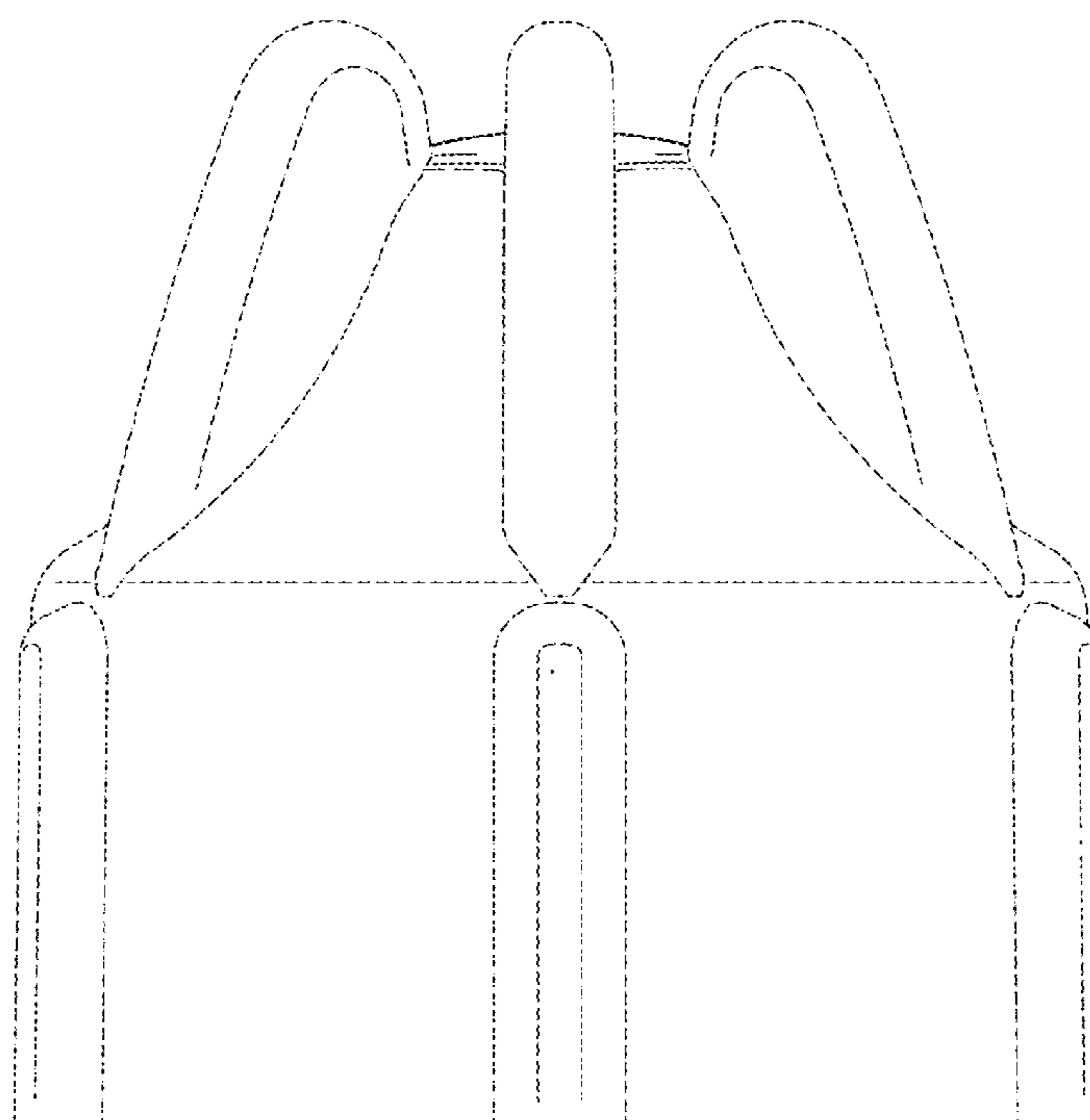


Fig. 5

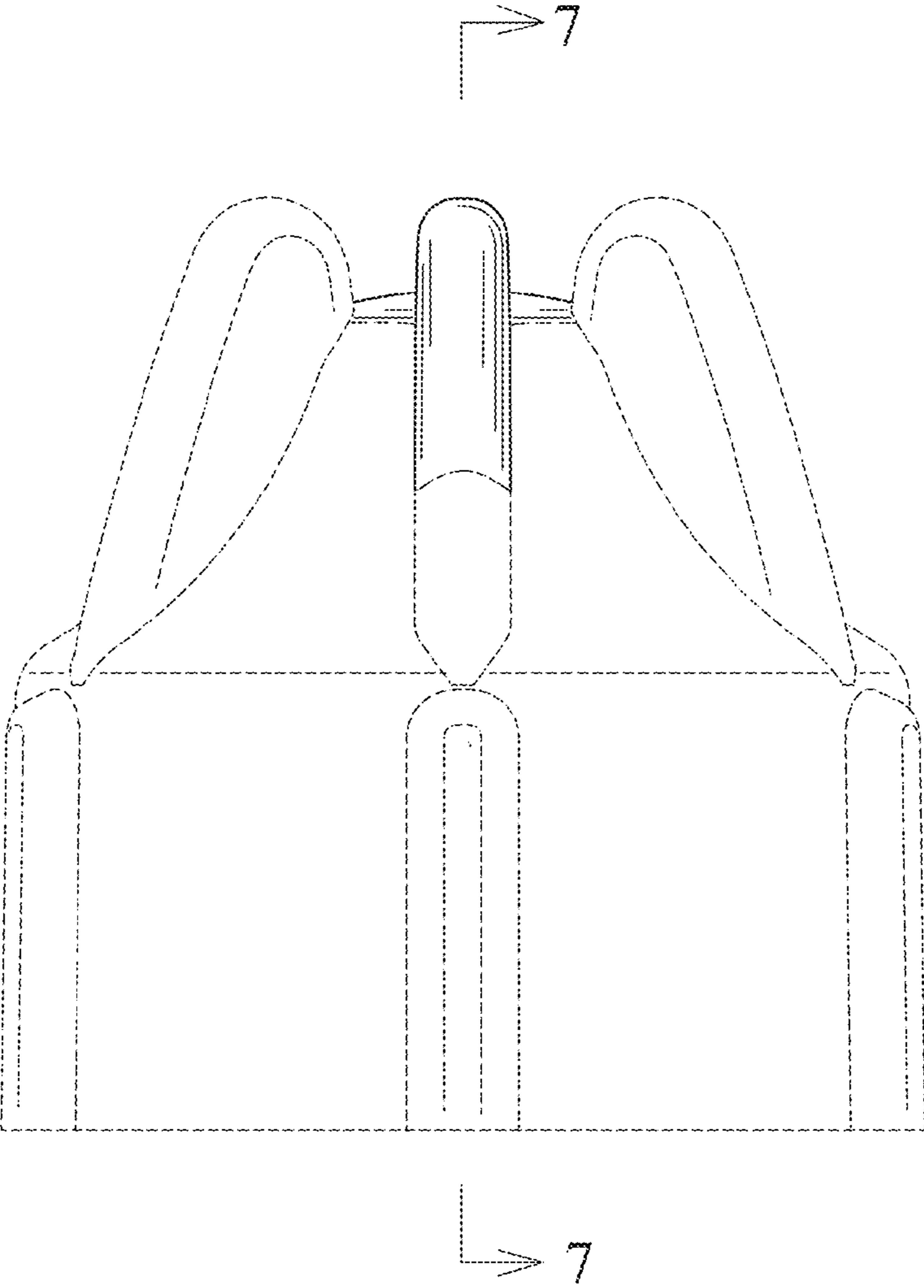


Fig. 6

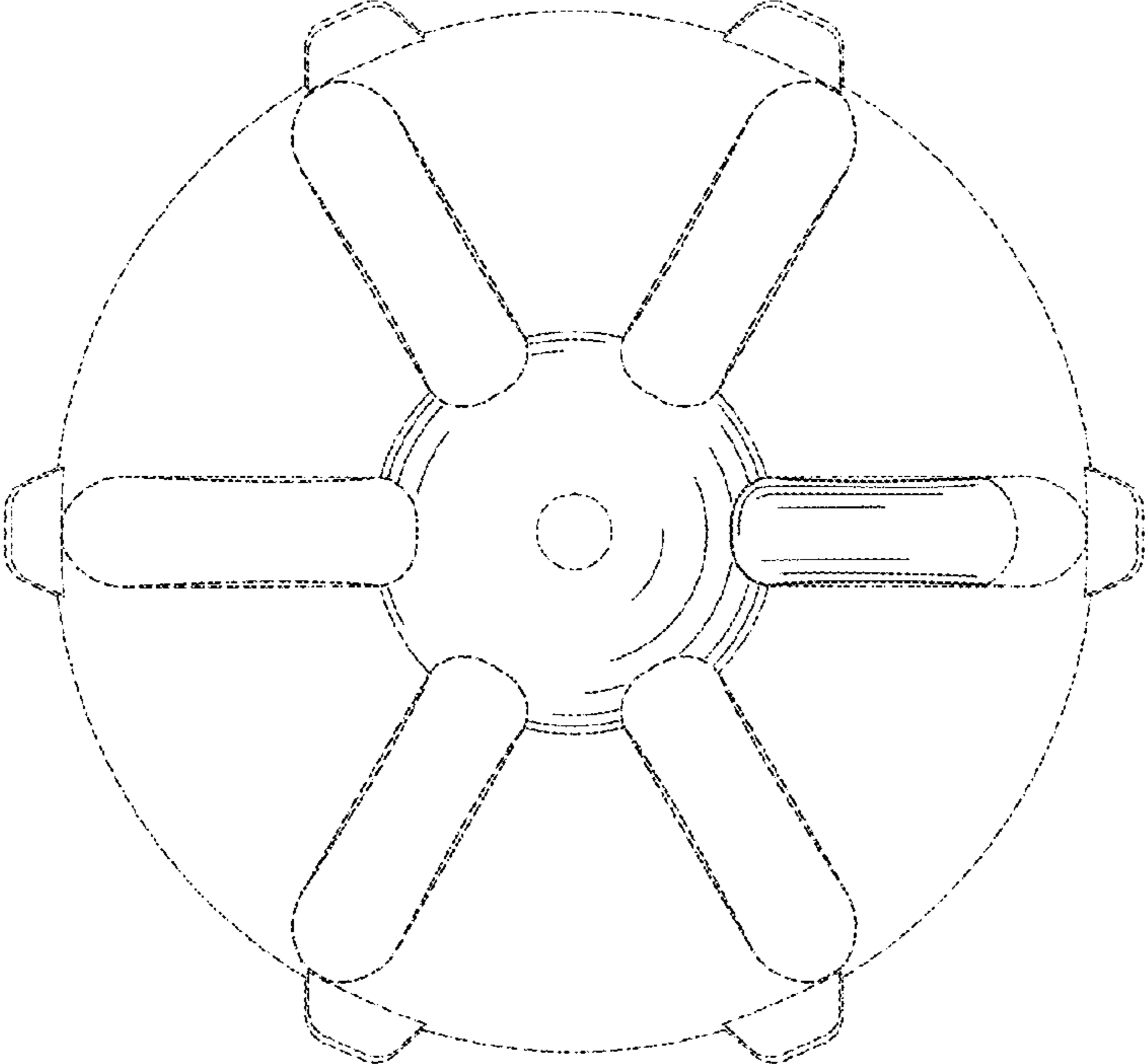


Fig. 7

