



US00D704051S

(12) **United States Design Patent**
Ferman

(10) **Patent No.:** **US D704,051 S**

(45) **Date of Patent:** **** May 6, 2014**

(54) **COVER WITH HANDLE**

(75) Inventor: **Randall Ferman**, Randolph, NJ (US)

(73) Assignee: **Extreme Hunting Solutions, LLC**,
Centerville, IA (US)

(**) Term: **14 Years**

(21) Appl. No.: **29/409,230**

(22) Filed: **Dec. 21, 2011**

(51) **LOC (10) Cl.** **09-07**

(52) **U.S. Cl.**
USPC **D9/435**

(58) **Field of Classification Search**
USPC D3/269, 272, 273, 302, 304, 305, 307,
D3/309-312, 314, 317, 318; D7/542, 584,
D7/587, 601, 602, 608, 610, 629, 641,
D7/672; D9/414-418, 420-433, 435, 452,
D9/453, 455, 456, 499, 560, 631, 636, 640,
D9/642, 732, 737, 756; D22/125; D34/7,
D34/11, 39; 206/45.32, 421, 454, 457,
206/775-778, 784; 215/200; 220/200, 364,
220/737; D30/121, 128, 130, 133;
119/51.03

See application file for complete search history.

(56) **References Cited**

U.S. PATENT DOCUMENTS

3,307,603	A *	3/1967	Swett	220/783
D207,496	S *	4/1967	Sweet	D7/610
D208,063	S *	7/1967	Swett	D7/610
D435,761	S *	1/2001	Johnson	D7/402
6,209,252	B1 *	4/2001	McGough	43/1
7,086,607	B2 *	8/2006	Bresolin et al.	239/44
D583,660	S *	12/2008	Steiger et al.	D9/432

2005/0106291	A1 *	5/2005	Kawashima et al.	426/106
2007/0272162	A1 *	11/2007	Hoogland	119/51.03
2009/0020540	A1 *	1/2009	Vovan	220/574

OTHER PUBLICATIONS

“Acom Rage INFuzed”, “<http://www.wildgameinnovations.com/products/deer-attractants-supplements-and-food-plots/acom-rage-infuzedtm-1.html>”, Wildgame Innovations, Synergy Outdoors Company.

* cited by examiner

Primary Examiner — Susan Bennett Hattan

Assistant Examiner — Leanne Was

(74) *Attorney, Agent, or Firm* — Lerner, David, Littenberg, Krumholz & Mentlik, LLP

(57) **CLAIM**

I claim the ornamental design for a cover with handle, as shown and described.

DESCRIPTION

FIG. 1 is a perspective view of a cover with handle, in accordance with the present invention;

FIG. 2 is a front plan view of the cover with handle shown in FIG. 1, the back plan view being a mirror image thereof;

FIG. 3 is a right plan view of the cover with handle shown in FIG. 1, the left plan view being a mirror image thereof;

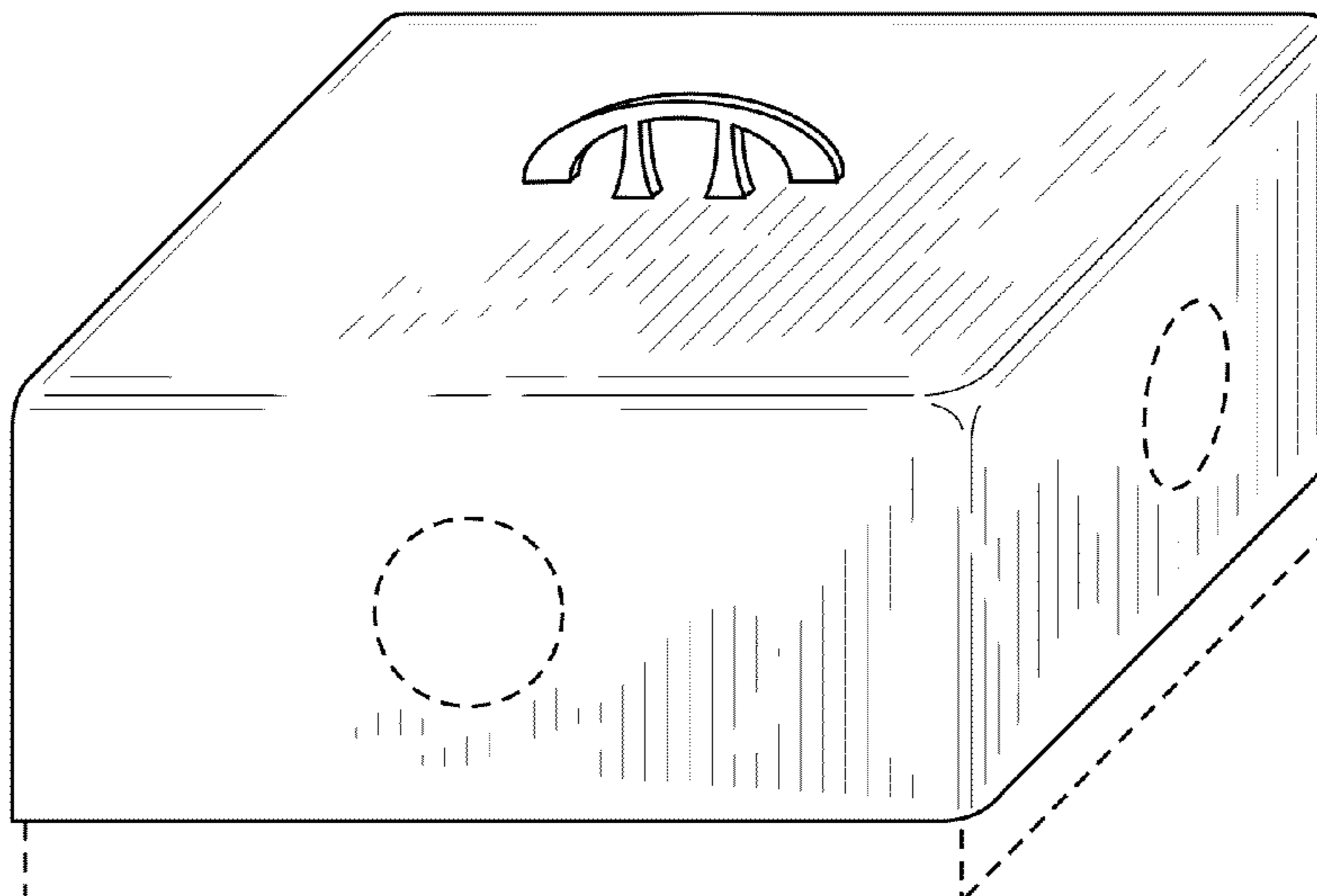
FIG. 4 is a top plan view of the cover with handle shown in FIG. 1;

FIG. 5 is a bottom plan view of the cover with handle shown in FIG. 1; and,

FIG. 6 is a cross-sectional view, based on FIG. 2, of the cover with handle shown in FIG. 1.

The portions of the cover with handle shown in broken lines are shown for environmental purposes only and form no part of the claimed design.

1 Claim, 3 Drawing Sheets



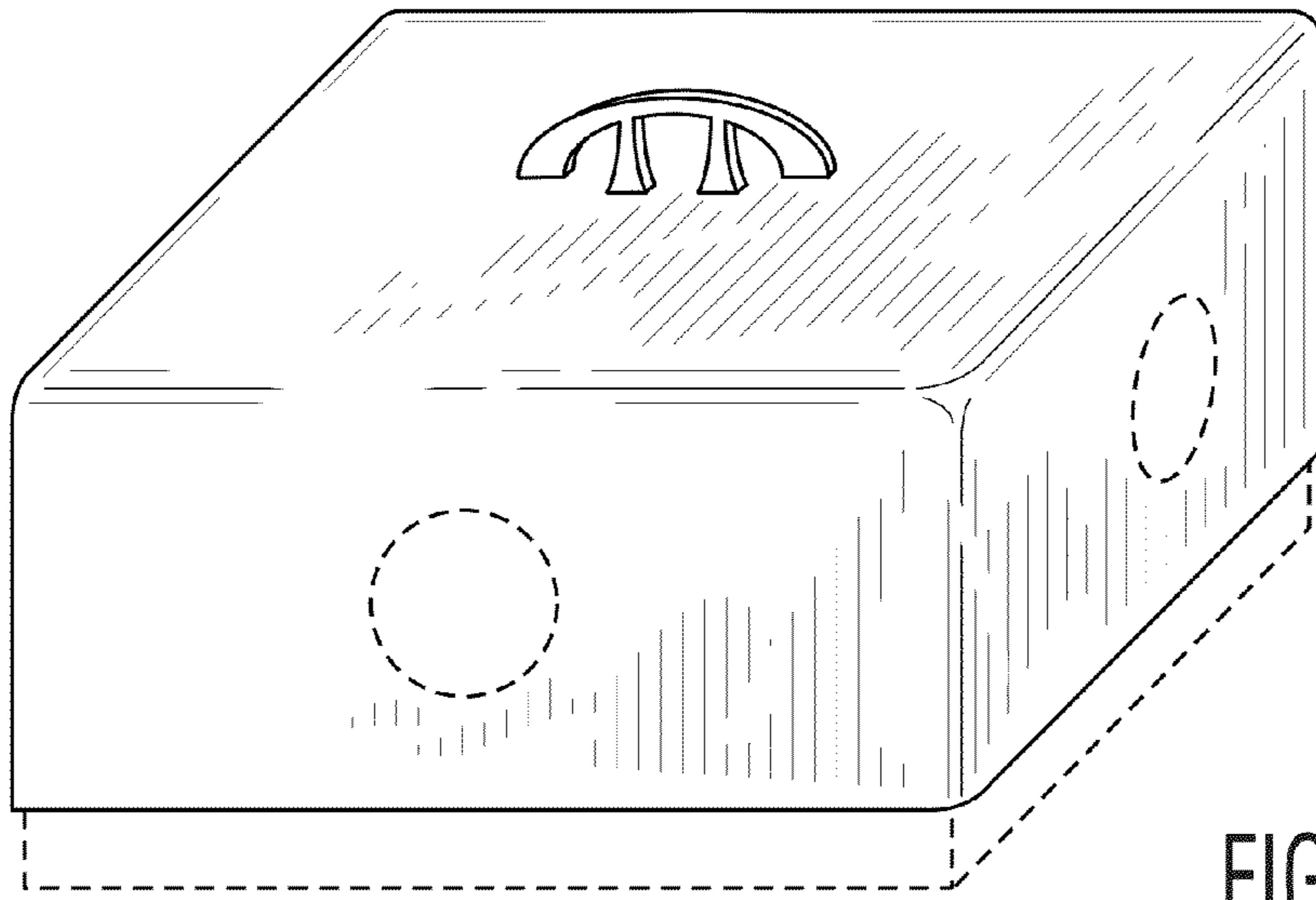


FIG. 1

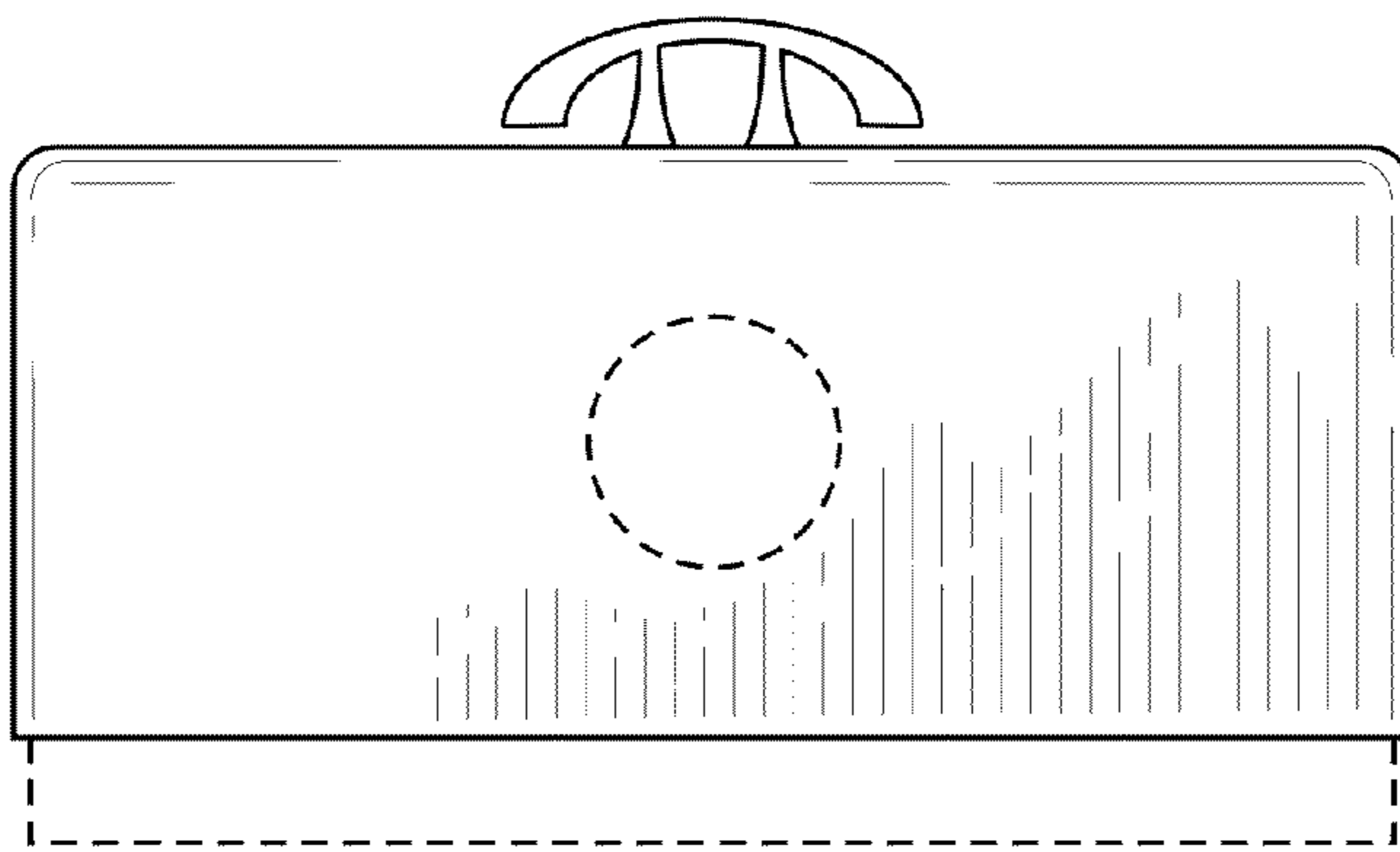


FIG. 2

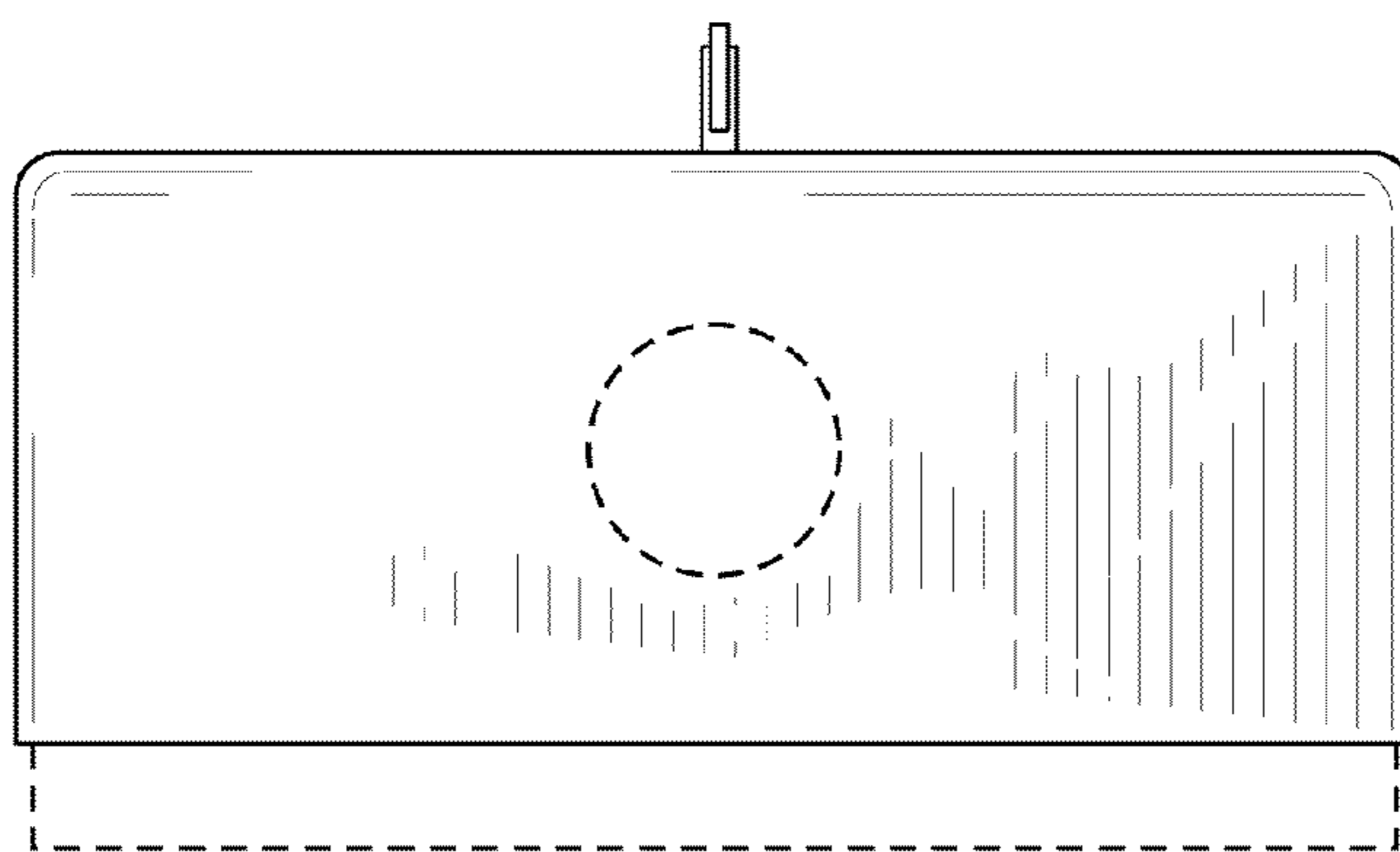


FIG. 3

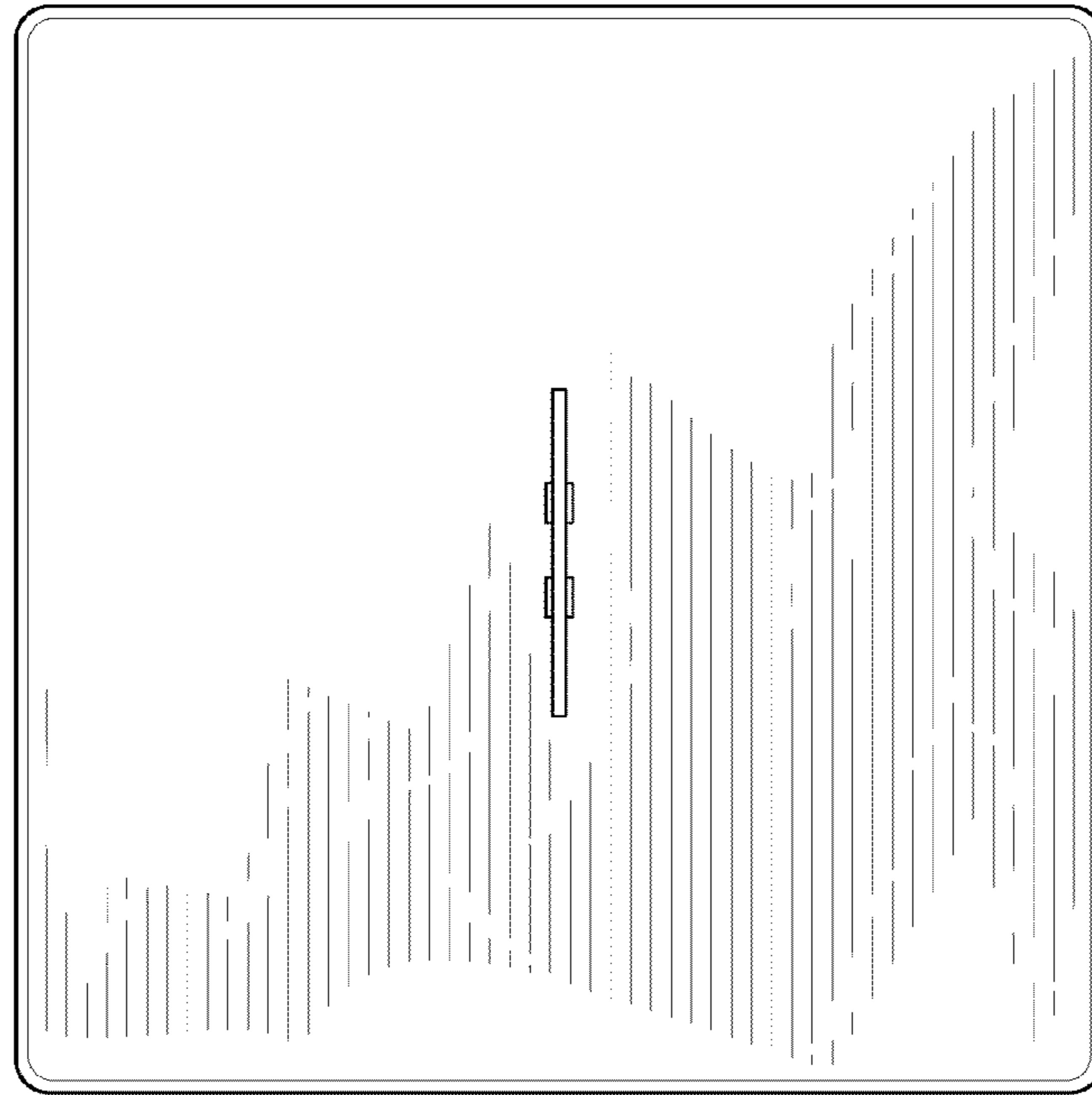


FIG. 4

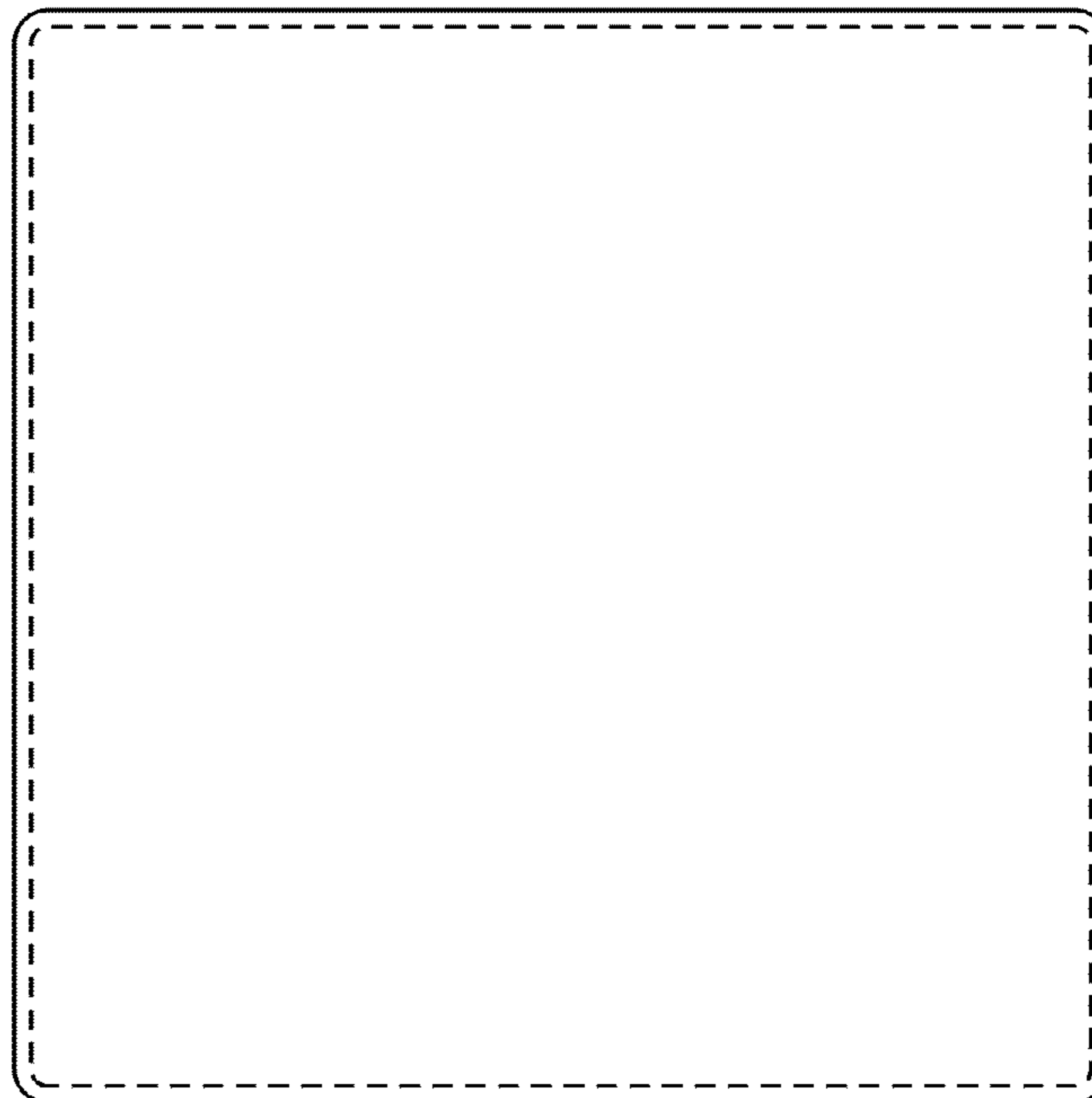


FIG. 5

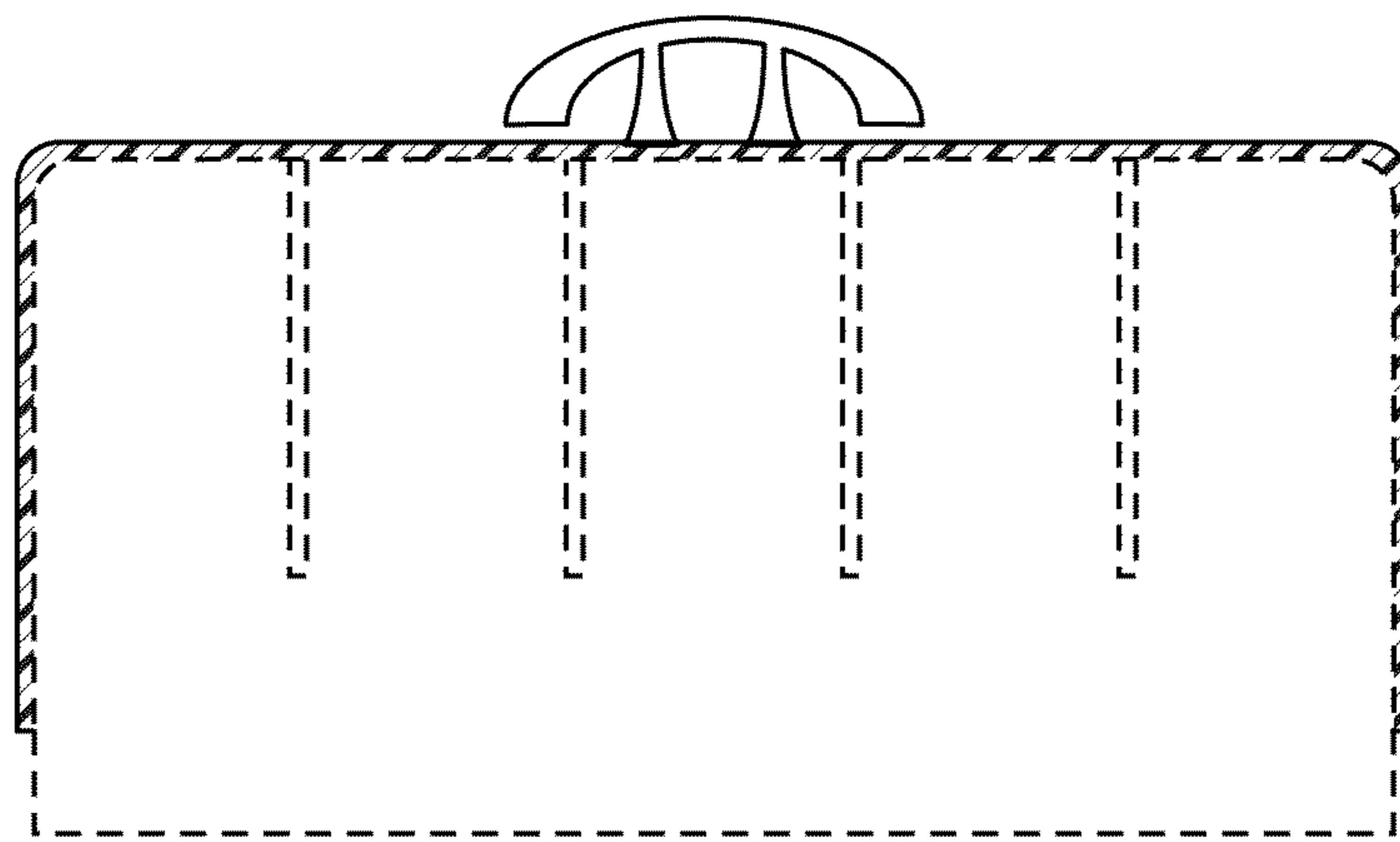


FIG. 6