



US00D704050S

(12) **United States Design Patent**  
**Pipes et al.**

(10) **Patent No.:** **US D704,050 S**

(45) **Date of Patent:** **\*\* May 6, 2014**

(54) **CONTAINER**

(56) **References Cited**

- (71) Applicant: **R.J. Reynolds Tobacco Company**,  
Winston-Salem, NC (US)
- (72) Inventors: **Jerry Wayne Pipes**, Clemmons, NC  
(US); **Pankaj Patel**, Clemmons, NC  
(US); **Melissa Ann Clark**, Mocksville,  
NC (US); **Laya Katina Horton**,  
Winston-Salem, NC (US); **William  
Travis Lintner**, Winston-Salem, NC  
(US)
- (73) Assignee: **R.J. Reynolds Tobacco Company**,  
Winston-Salem, NC (US)
- (\*\*) Term: **14 Years**
- (21) Appl. No.: **29/465,934**
- (22) Filed: **Sep. 3, 2013**

U.S. PATENT DOCUMENTS

2,047,977	A *	7/1936	McGowan	215/329
2,117,228	A *	5/1938	Stuchbery	220/841
D407,972	S *	4/1999	Hilton	D9/422
D412,786	S *	8/1999	Killinger	D3/273
6,032,792	A *	3/2000	Faraj	206/246
D427,432	S *	7/2000	Au et al.	D3/265
D456,713	S *	5/2002	Bried et al.	D9/449
D462,613	S *	9/2002	Bried et al.	D3/294
D515,426	S *	2/2006	Pace et al.	D9/504
D515,928	S *	2/2006	Pace	D9/504
D523,752	S *	6/2006	Bried et al.	D9/504
D525,120	S *	7/2006	Maskell et al.	D9/428
D527,995	S *	9/2006	Tanner	D9/424
D531,036	S *	10/2006	Bried et al.	D9/504
D548,070	S *	8/2007	Swain	D9/432
D587,109	S *	2/2009	Lyon et al.	D9/761
D592,494	S *	5/2009	Wichowski	D9/414
D592,498	S *	5/2009	Cronin	D9/424
D594,154	S *	6/2009	Patel et al.	D27/189
D600,855	S *	9/2009	Krohn	D27/189
D612,094	S *	3/2010	Bellamah et al.	D27/189
7,798,319	B1 *	9/2010	Bried et al.	206/242

(Continued)

Primary Examiner — Robert M Spear

(74) *Attorney, Agent, or Firm* — Womble Carlyle Sandridge & Rice, LLP

**Related U.S. Application Data**

- (62) Division of application No. 29/408,134, filed on Dec. 7, 2011, now Pat. No. Des. 692,298.
- (51) **LOC (10) Cl.** ..... **09-07**
- (52) **U.S. Cl.**  
CPC ..... **A24F 23/00** (2013.01)  
USPC ..... **D9/434**; D9/428
- (58) **Field of Classification Search**  
USPC ..... D9/434, 425, 428, 432, 438, 454, 763,  
D9/767, 772, 780; D7/392.1, 396.2, 541,  
D7/553.2, 605, 627; 220/265, 271, 272,  
220/276, 366.1, 367.1, 906, 254.1, 356.1,  
220/270, 273, 377, 703, 711, 713; 229/406,  
229/123.2

See application file for complete search history.

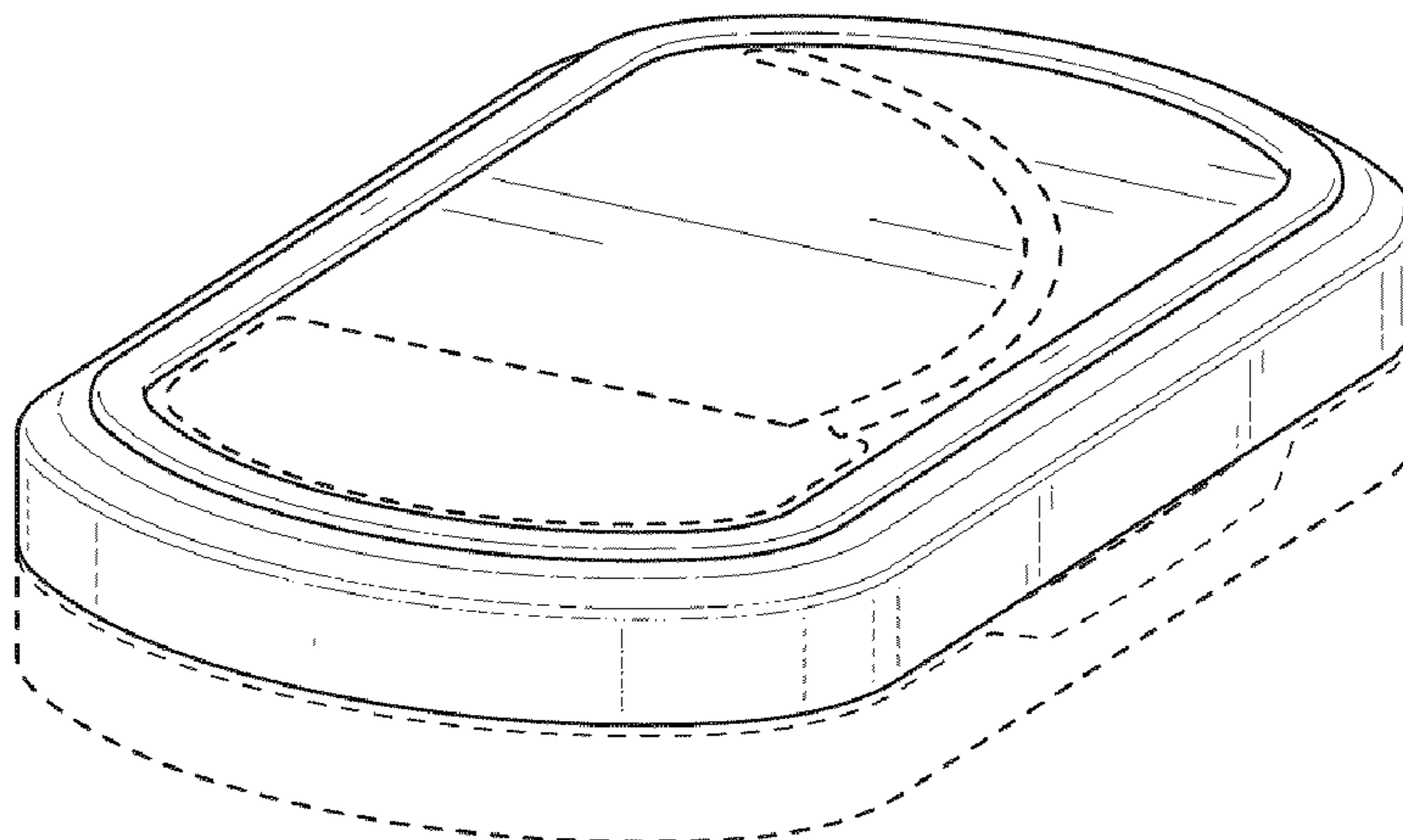
**CLAIM**

(57) The ornamental design for a container, as shown and described.

**DESCRIPTION**

FIG. 1 is a top perspective view of a container showing the new design;  
 FIG. 2 is a top perspective view of the container of FIG. 1, the container being rotated 180° horizontally;  
 FIG. 3 is a top view thereof;  
 FIG. 4 is a side view thereof; and,  
 FIG. 5 is an end view thereof.  
 The broken lines shown herein depict environmental subject matter only and form no part of the claimed design.

**1 Claim, 5 Drawing Sheets**



(56)

**References Cited**

U.S. PATENT DOCUMENTS

D630,505 S \* 1/2011 Westemeyer et al. .... D9/426  
D640,131 S \* 6/2011 Gibson et al. .... D9/428  
D646,159 S \* 10/2011 Bellamah et al. .... D9/424  
D646,966 S \* 10/2011 Gill et al. .... D9/424

D650,268 S \* 12/2011 Gibson et al. .... D9/428  
D665,253 S \* 8/2012 Bellamah et al. .... D9/424  
D673,848 S \* 1/2013 Bailey et al. .... D9/428  
D674,688 S \* 1/2013 Loftin et al. .... D9/428  
D675,516 S \* 2/2013 Horton et al. .... D9/424

\* cited by examiner

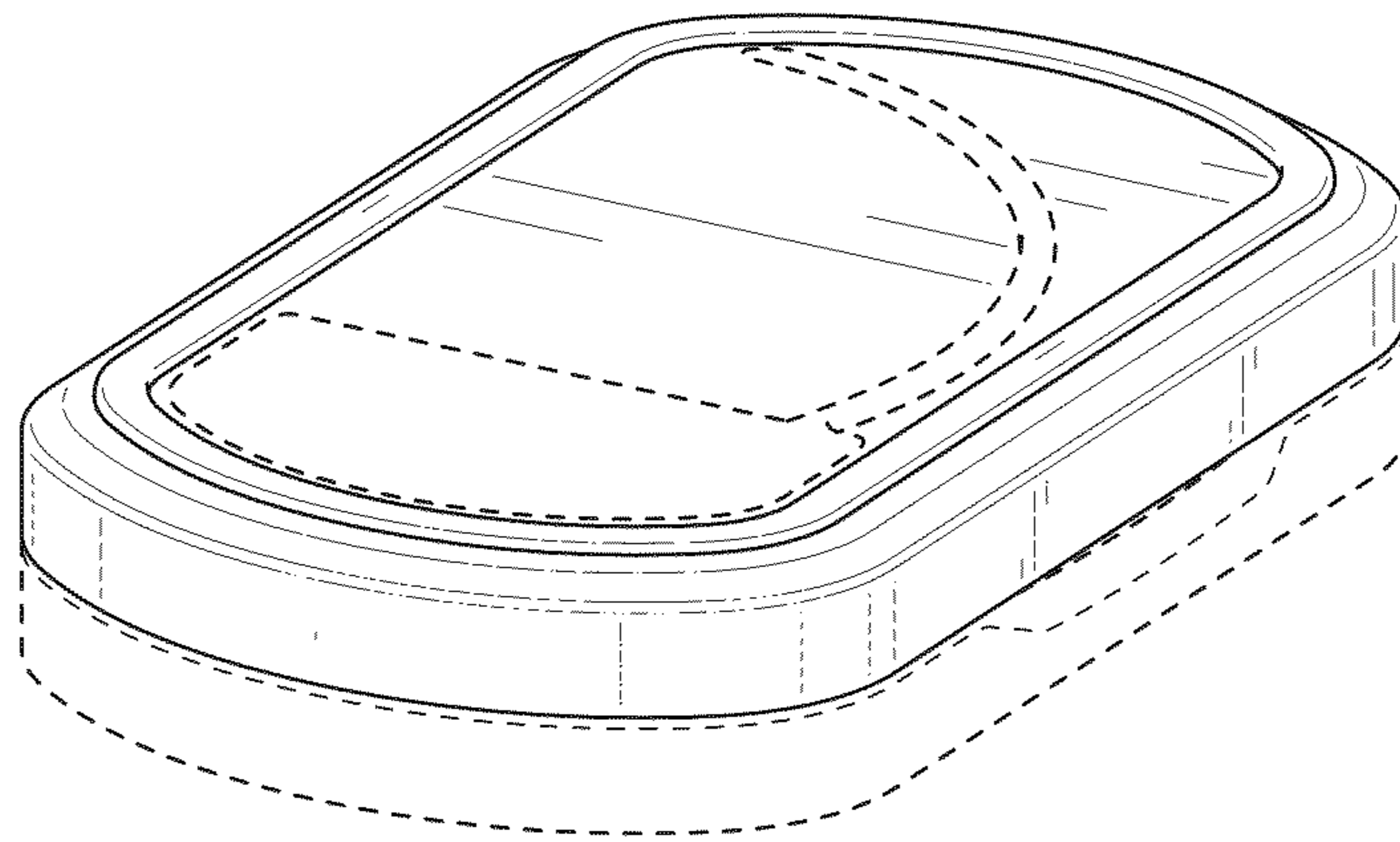
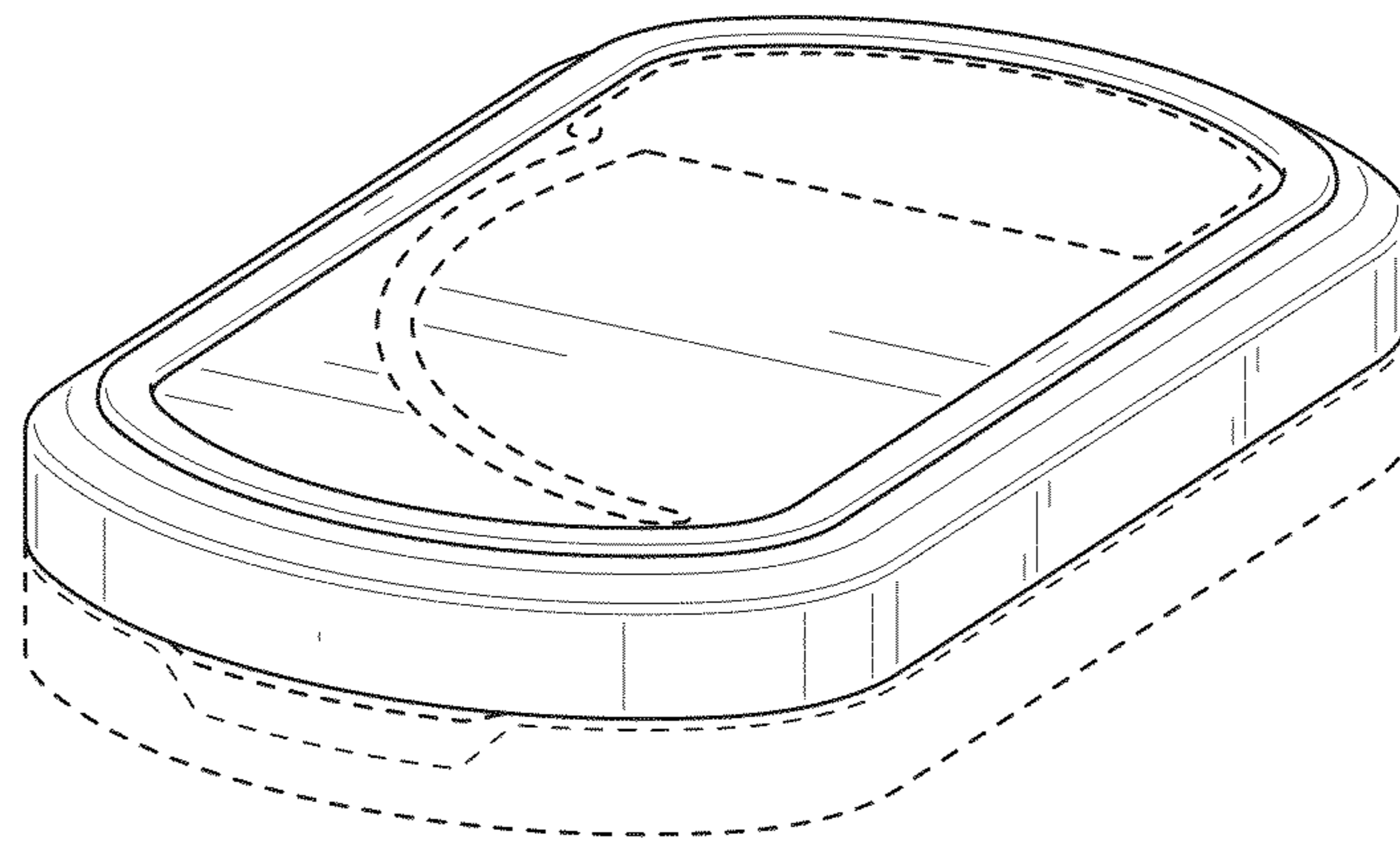
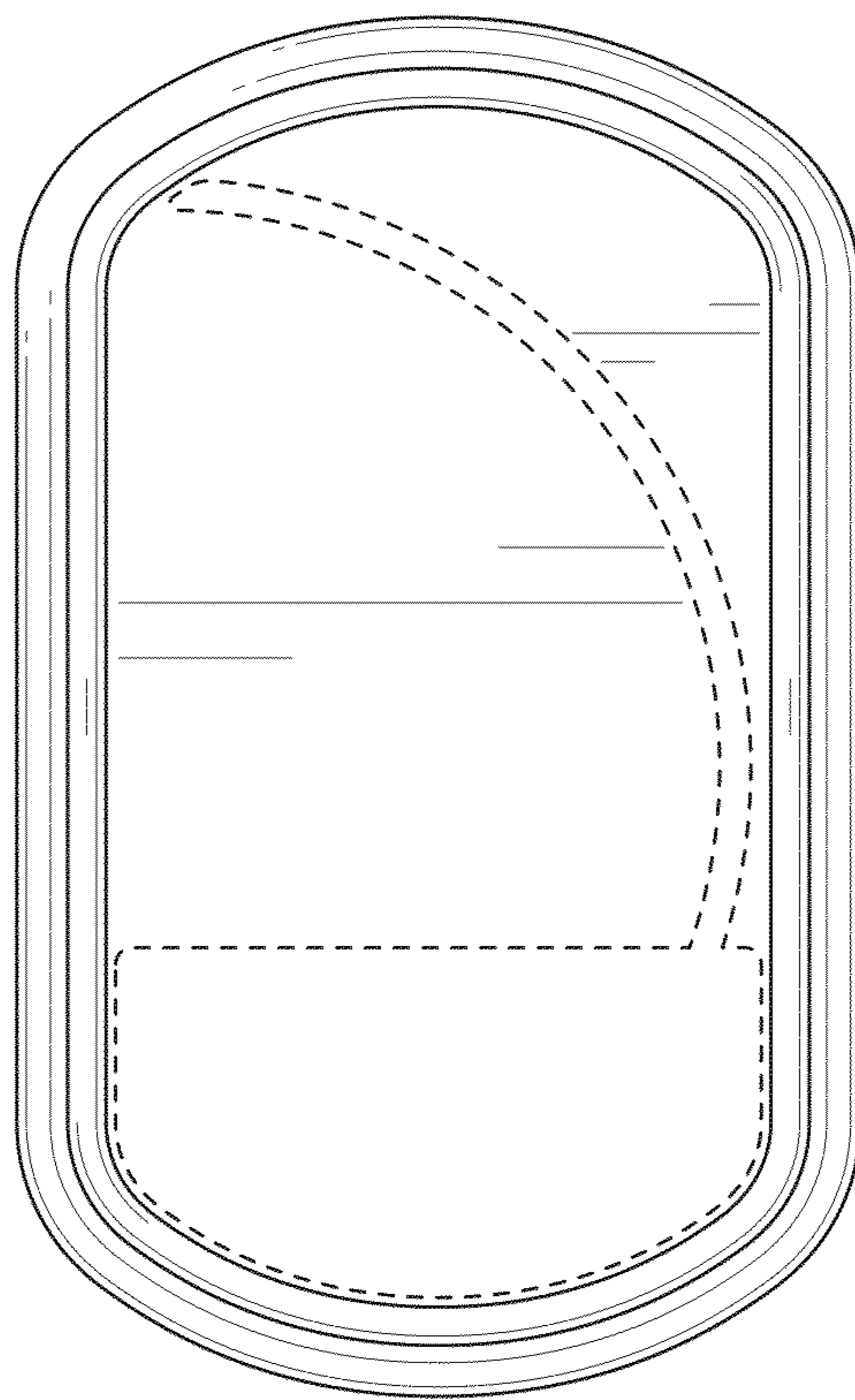


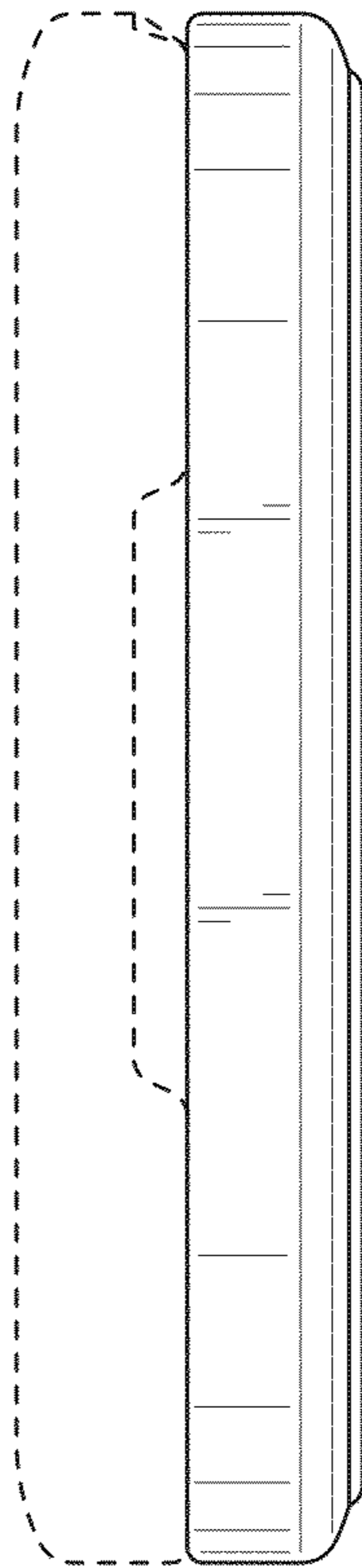
FIG. 1



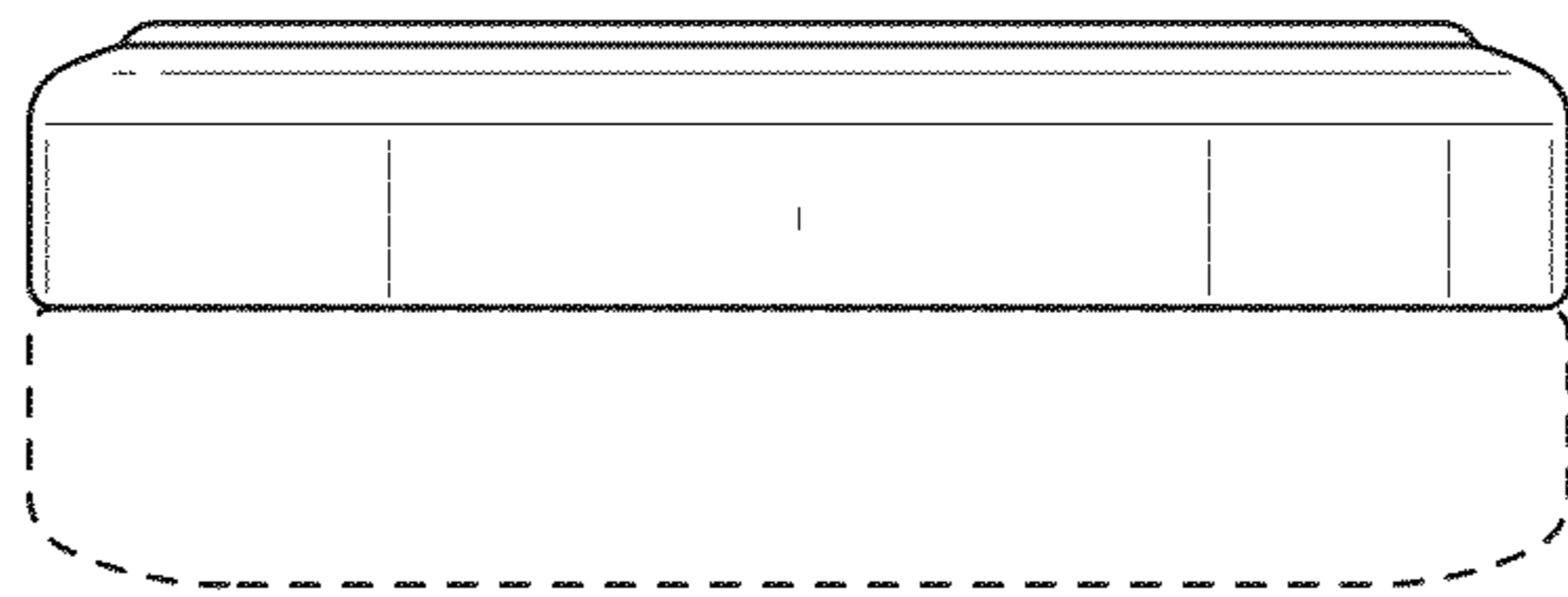
**FIG. 2**



**FIG. 3**



**FIG. 4**



**FIG. 5**