



US00D704048S

(12) **United States Design Patent**
Whalen, Jr. et al.

(10) **Patent No.:** **US D704,048 S**
(45) **Date of Patent:** **** May 6, 2014**

(54) **PACKAGE**

(71) Applicant: **GlaxoSmithKline, LLC**, Wilmington, DE (US)

(72) Inventors: **Lawrence M. Whalen, Jr.**, Parsippany, NJ (US); **Michele Hook**, Pittsburgh, PA (US)

(73) Assignee: **GlaxoSmithKline, LLC**, Wilmington, DE (US)

(**) Term: **14 Years**

(21) Appl. No.: **29/461,412**

(22) Filed: **Jul. 23, 2013**

Related U.S. Application Data

(63) Continuation of application No. 29/390,771, filed on Apr. 29, 2011, now Pat. No. Des. 692,295.

(51) **LOC (10) Cl.** **09-03**

(52) **U.S. Cl.**
USPC **D9/415**

(58) **Field of Classification Search**
USPC D9/418, 415, 501, 753, 742, 739, 722,
D9/414, 424, 425, 428, 740, 741, 732, 756,
D9/759, 432; D3/203.3, 264; D24/218,
D24/226; D28/83

See application file for complete search history.

(56) **References Cited**

U.S. PATENT DOCUMENTS

D485,491 S	1/2004	Kyne et al.	
D494,465 S	8/2004	Kyne et al.	
D496,268 S	9/2004	Stamm et al.	
D503,334 S *	3/2005	Keating	D9/415
D565,403 S *	4/2008	Caine et al.	D9/415
D606,392 S	12/2009	Prevost	
D614,490 S	4/2010	Ouimette et al.	
D615,401 S *	5/2010	Ouimette et al.	D9/457
D621,719 S *	8/2010	Caldwell et al.	D9/707

D627,217 S *	11/2010	Marcinkowski et al.	D9/415
D629,680 S	12/2010	Sondors	
D634,643 S *	3/2011	Caldwell et al.	D9/707
D646,567 S *	10/2011	Graham et al.	D9/434
D662,811 S *	7/2012	Marcinkowski	D9/415

OTHER PUBLICATIONS

<http://www.toymania.com/columns/spotlight/freedom.shtml>.
<http://www.behance.net/gallery/Packaging-Samples/3851887>.
<http://www.diebutonce.com/extreme-rules-brock-packaging-complete/>.

* cited by examiner

Primary Examiner — Robert M Spear

Assistant Examiner — Rhea Shields

(74) *Attorney, Agent, or Firm* — Joshua C. Sanders; Theodore R. Furman

(57) **CLAIM**

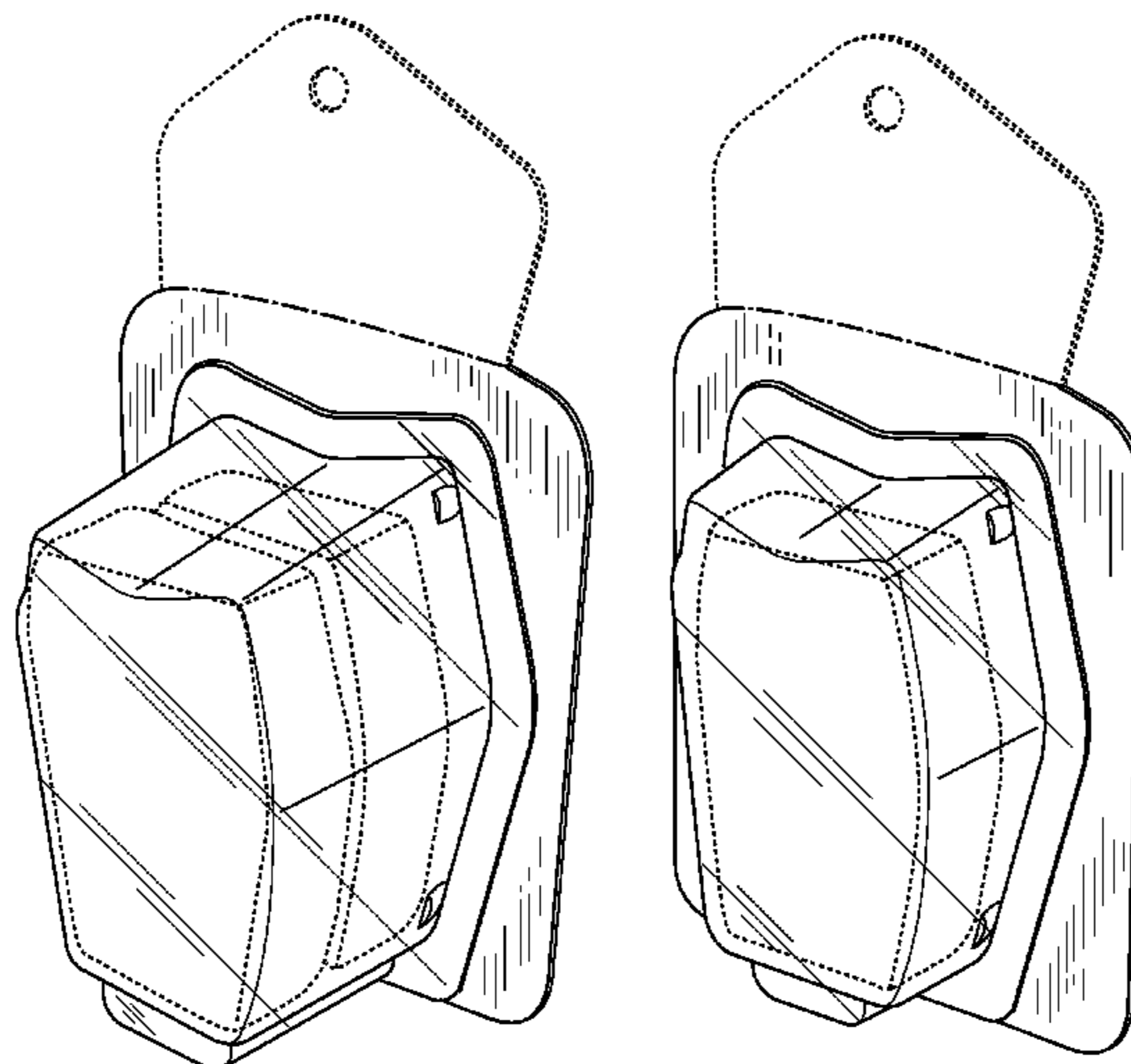
We claim the ornamental design for a package, as shown and described.

DESCRIPTION

FIG. 1 is a perspective view of a package of my new design; FIG. 2 is a front view thereof; FIG. 3 is a back view thereof; FIG. 4 is a left side view thereof; FIG. 5 is a right side view thereof; FIG. 6 is a top view thereof; FIG. 7 is a bottom view thereof; FIG. 8 is a perspective view of an alternative embodiment of a package of my new design; FIG. 9 is a front view thereof; FIG. 10 is a back view thereof; FIG. 11 is a left side view thereof; FIG. 12 is a right side view thereof; FIG. 13 is a top view thereof; and, FIG. 14 is a bottom view thereof.

The broken lines in the figures illustrate unclaimed environment only and form no part of the claimed design.

1 Claim, 10 Drawing Sheets



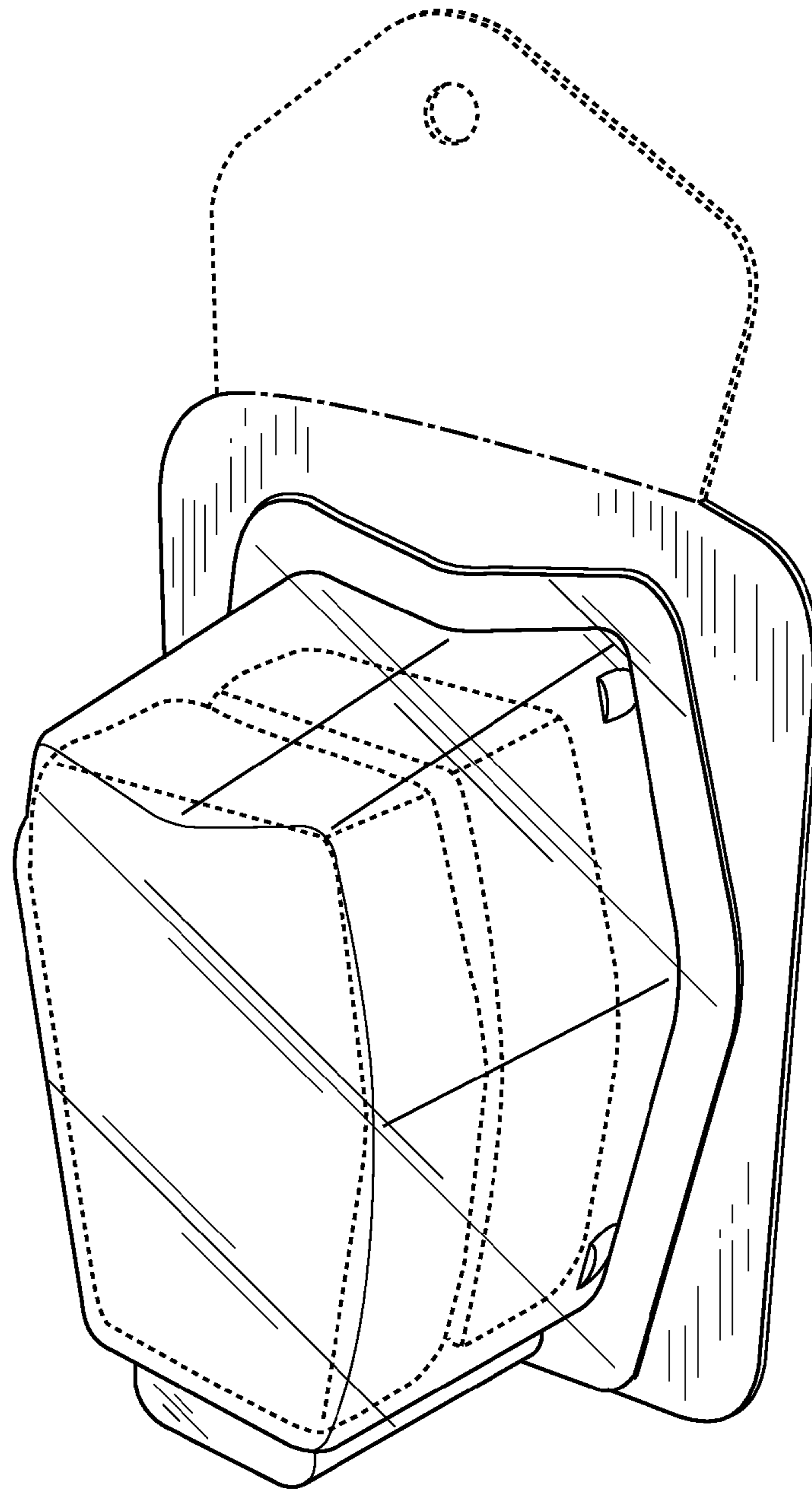


FIG. 1

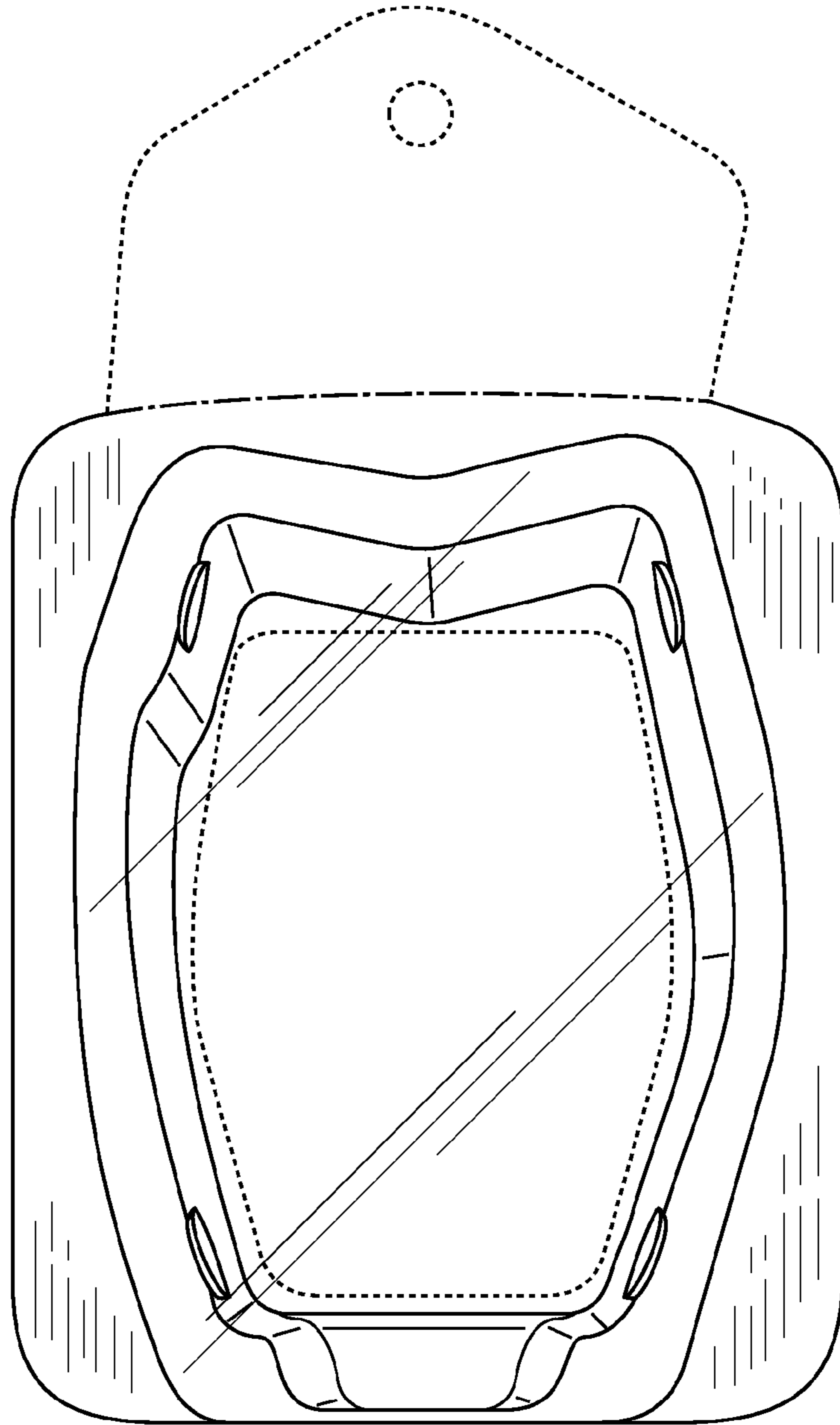


FIG. 2

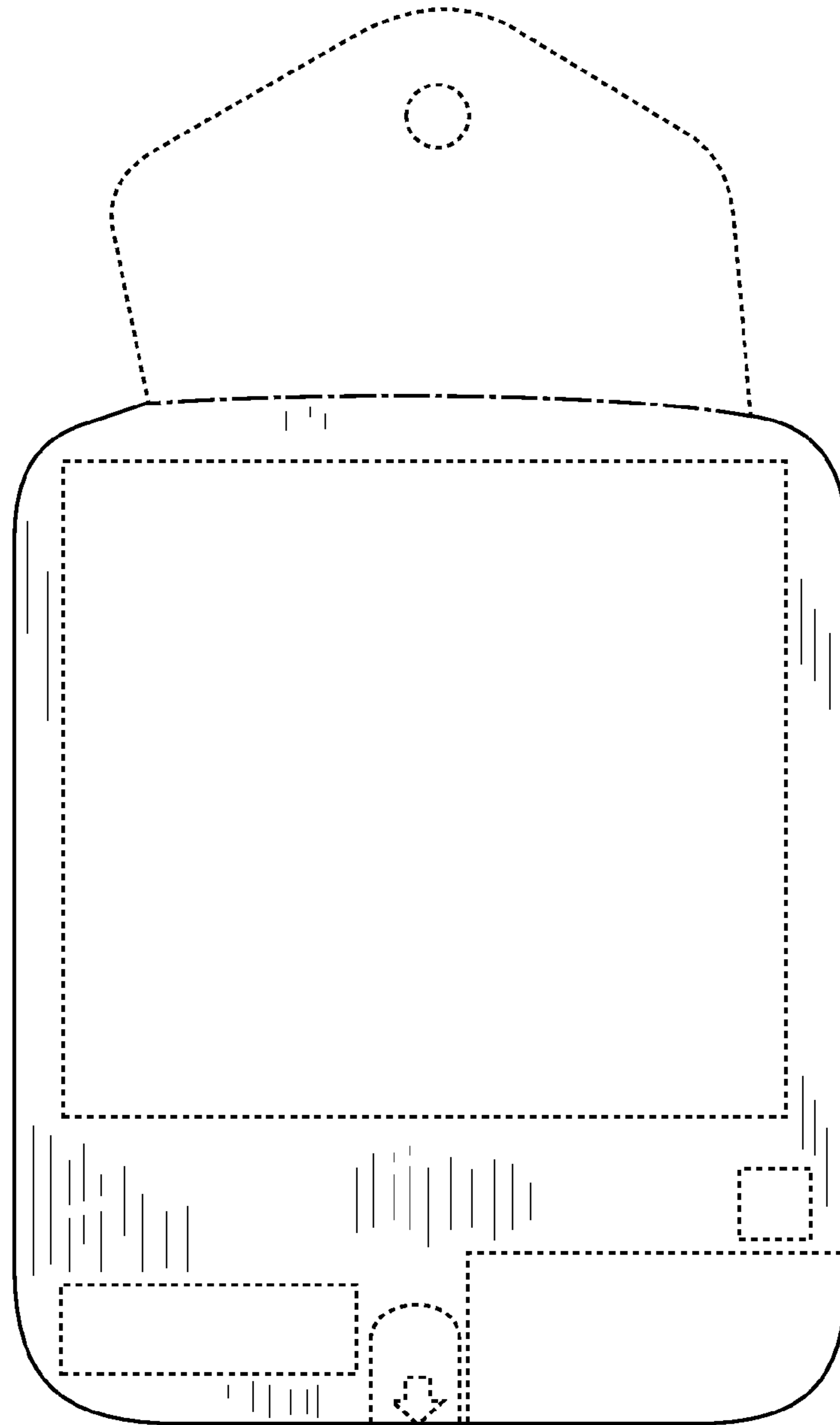


FIG. 3

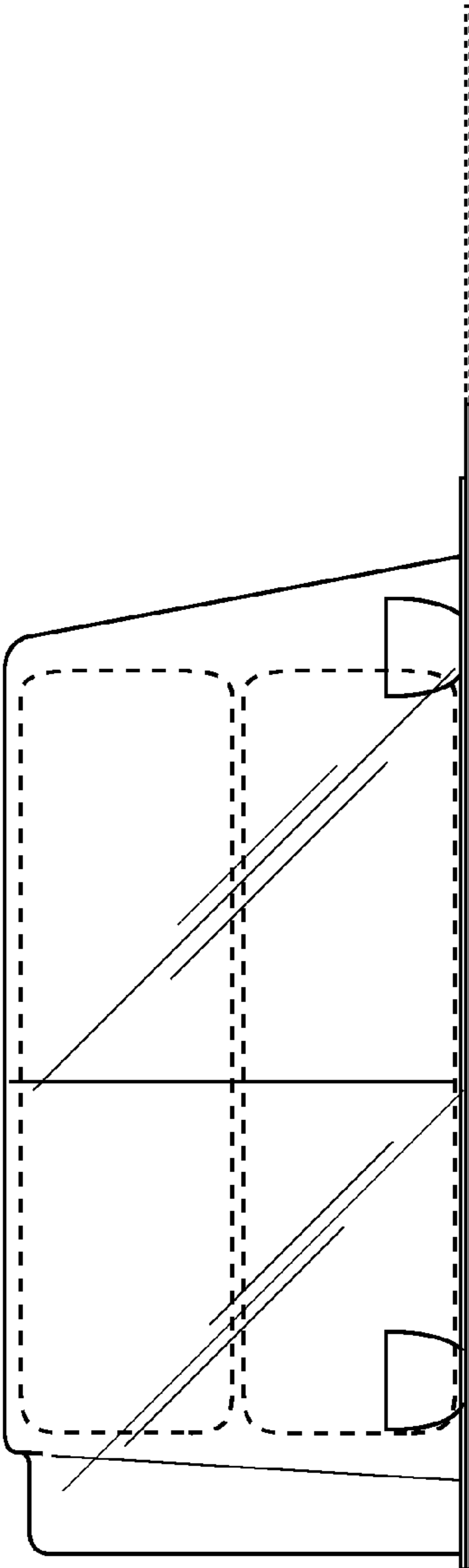


FIG. 4

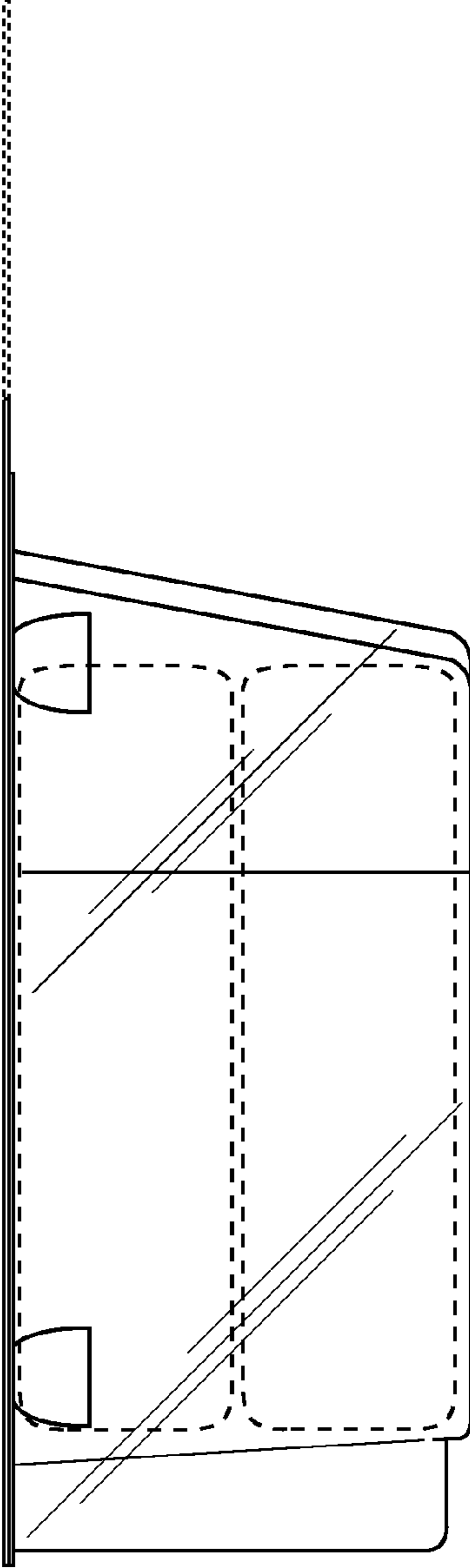


FIG. 5

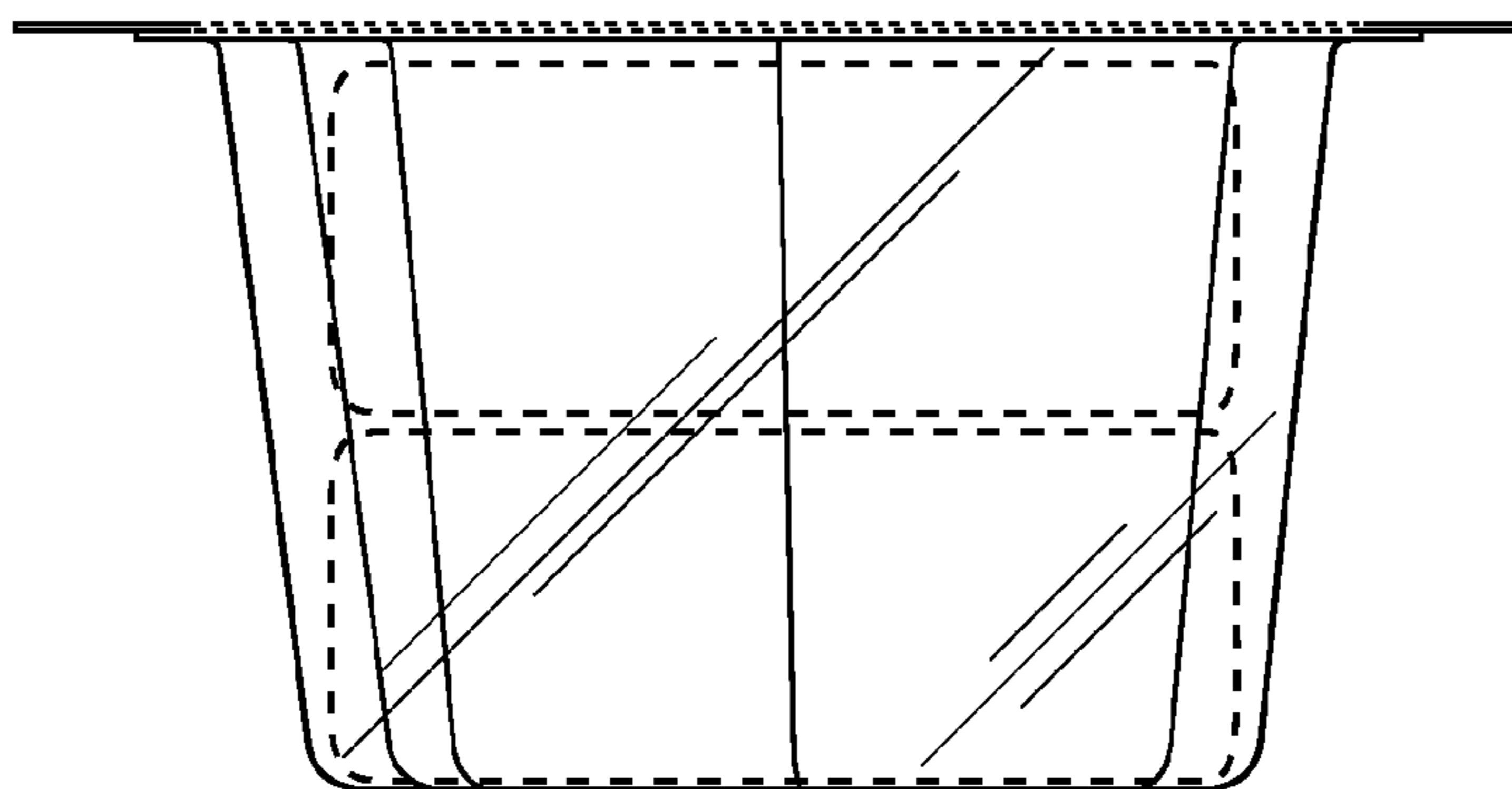


FIG. 6

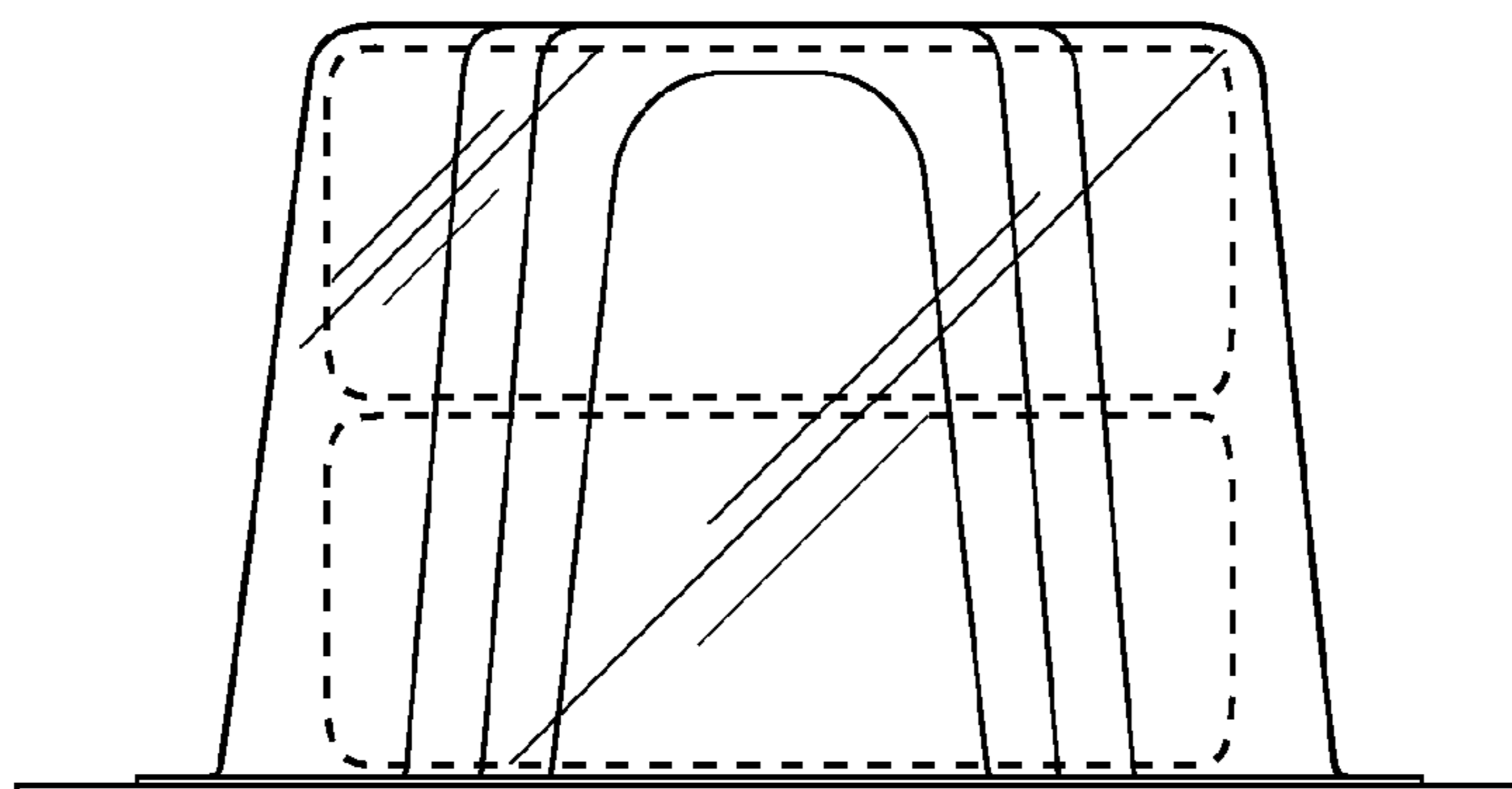


FIG. 7

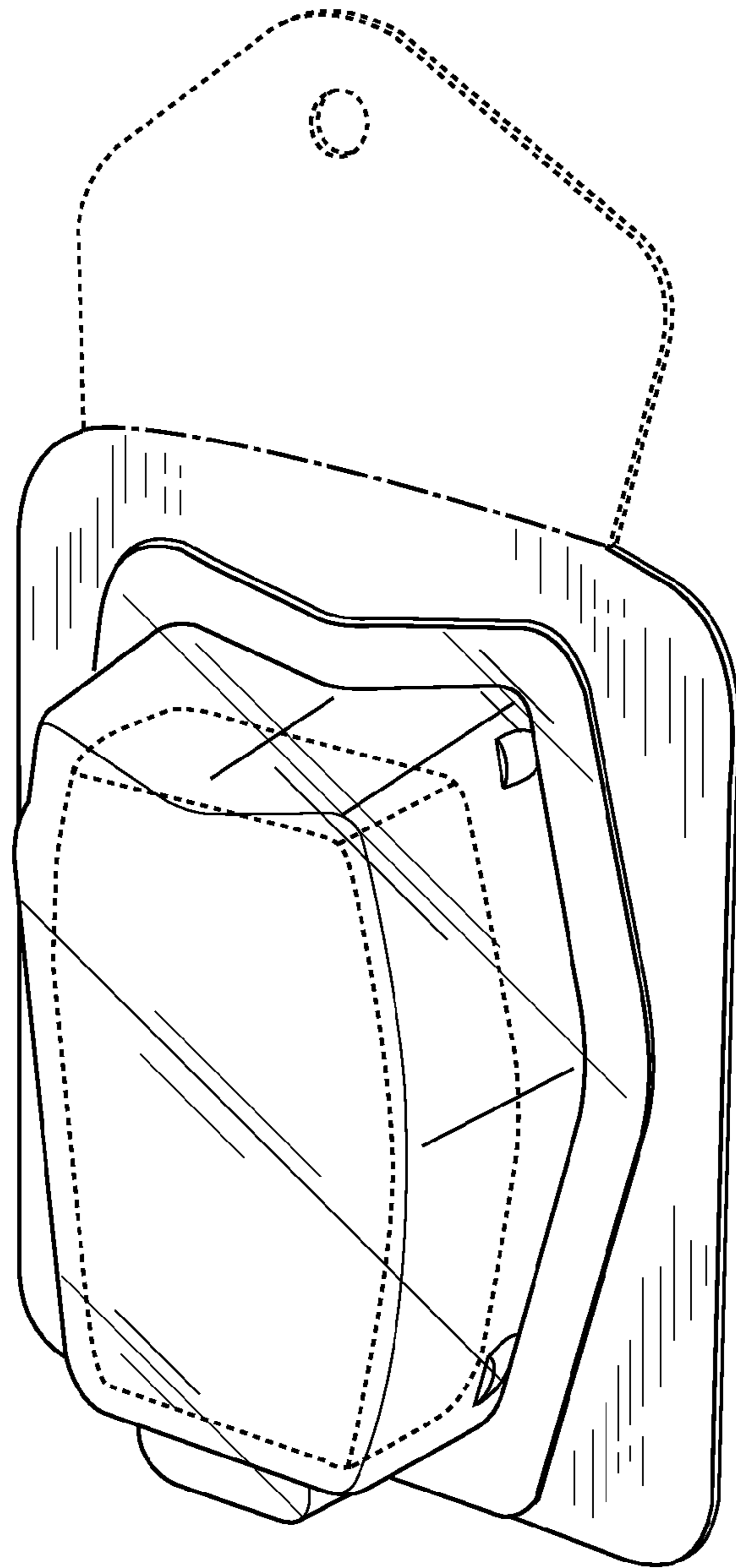


FIG. 8

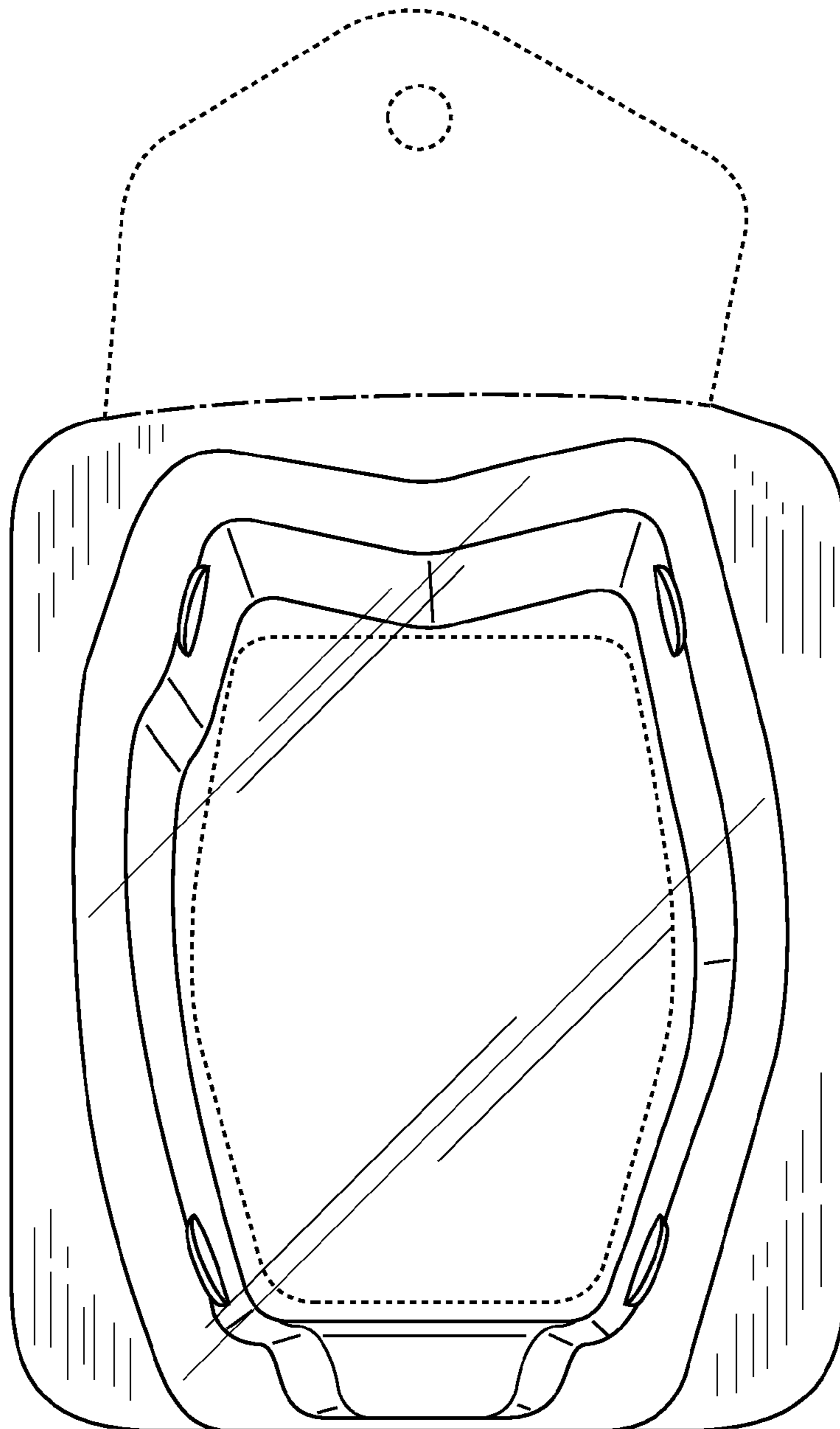


FIG. 9

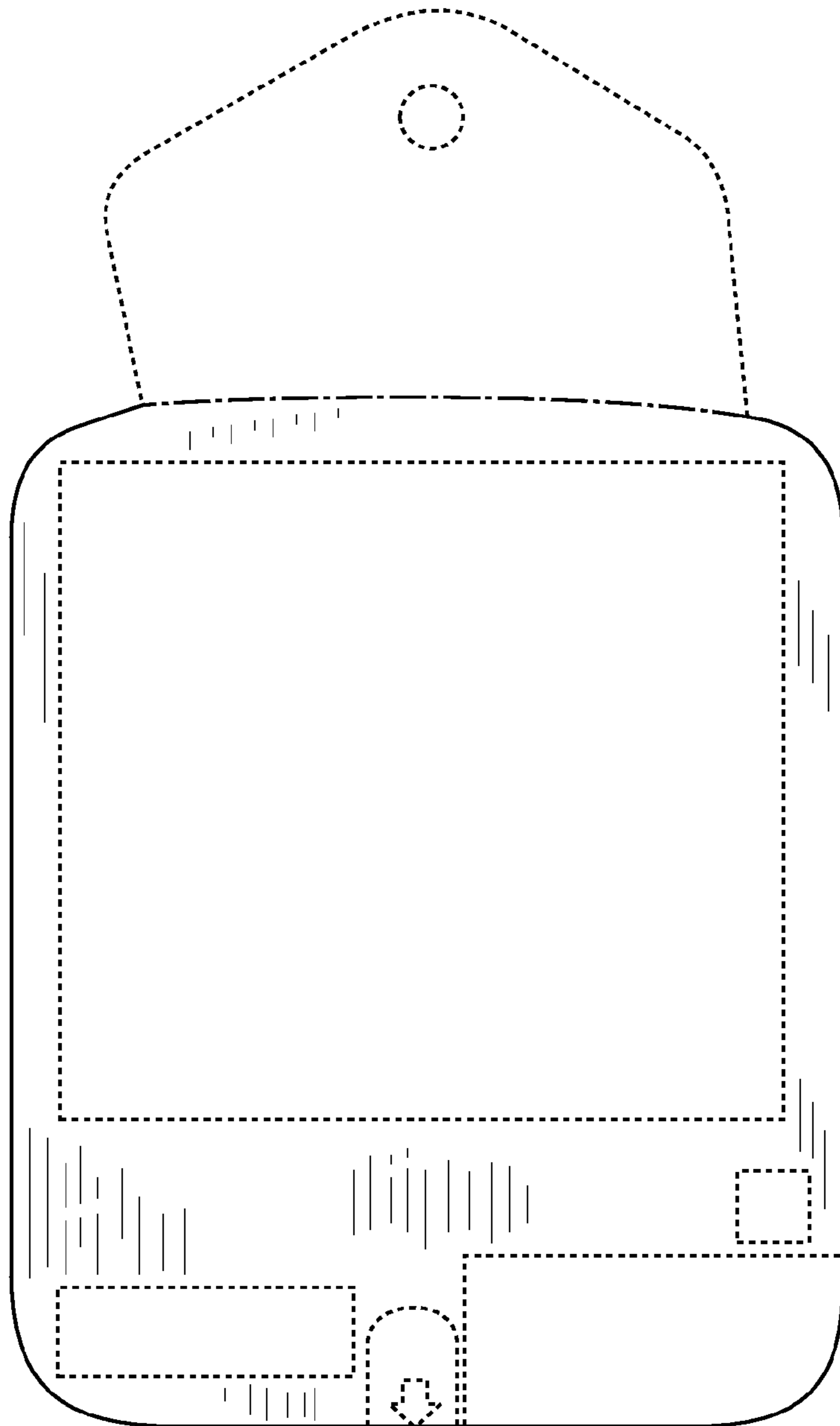


FIG. 10

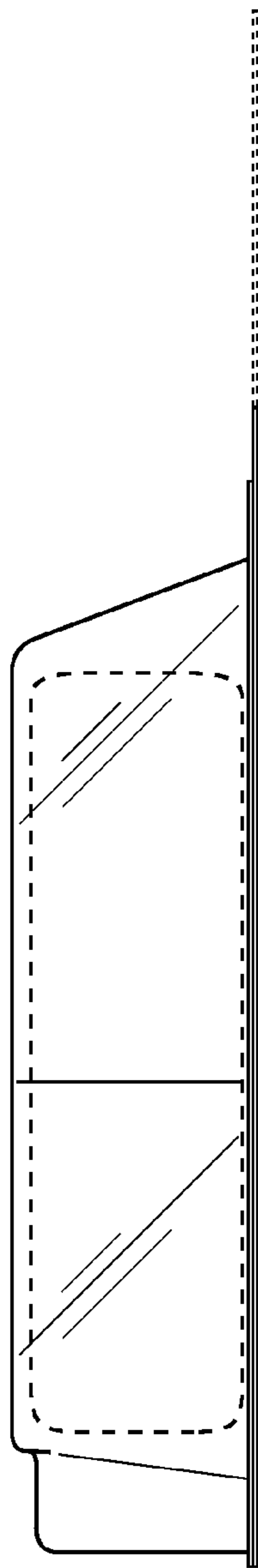


FIG. 11

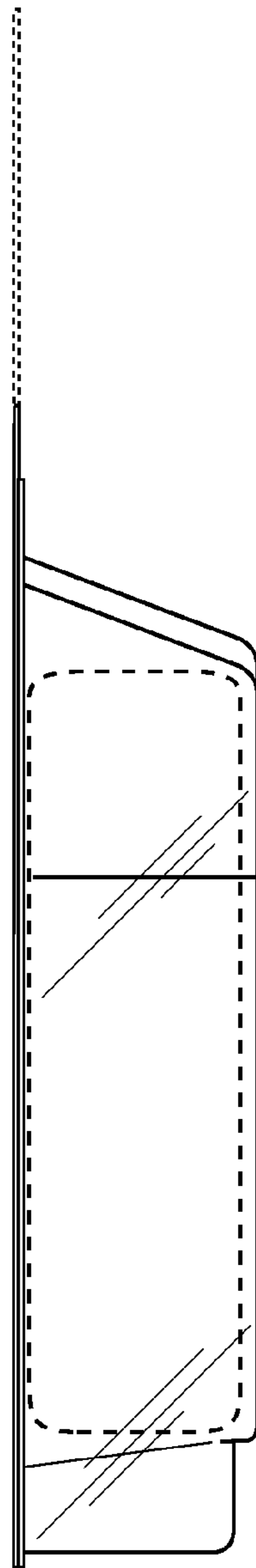


FIG. 12

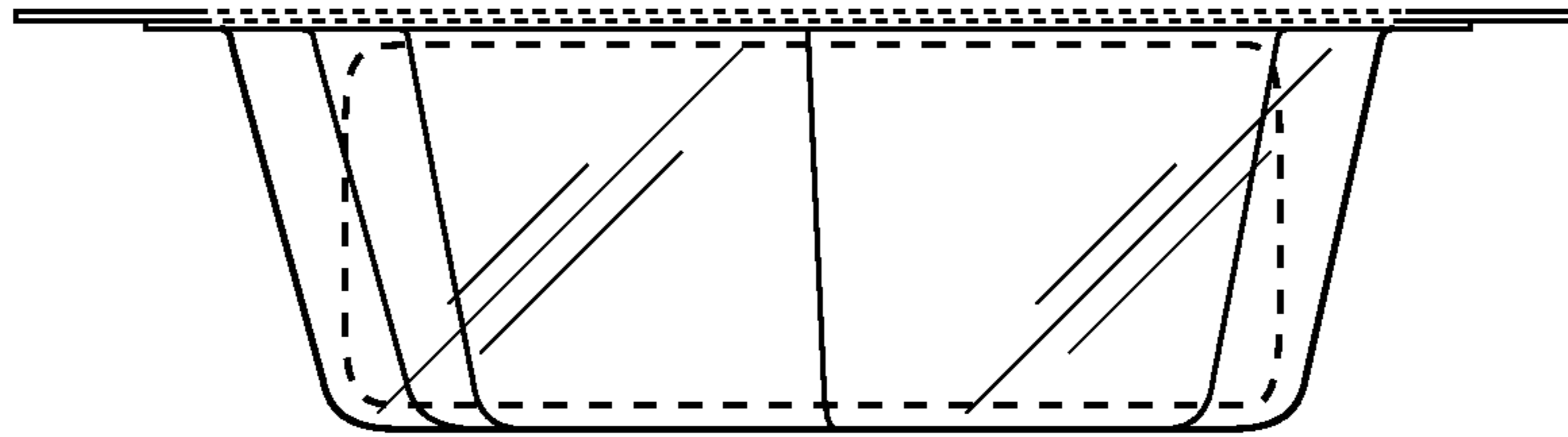


FIG. 13

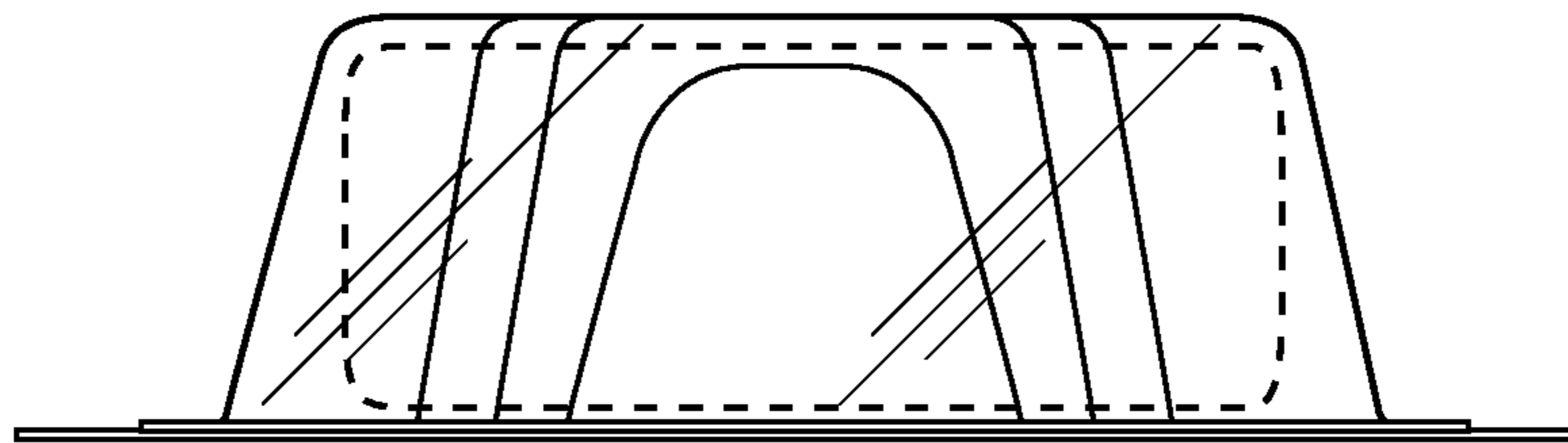


FIG. 14