



US00D704047S

(12) **United States Design Patent**
Hyma et al.

(10) **Patent No.:** **US D704,047 S**
(45) **Date of Patent:** **** May 6, 2014**

(54) **PACKAGING FOR A FASTENER DRIVER**

(71) Applicant: **Milwaukee Electric Tool Corporation,**
Brookfield, WI (US)

(72) Inventors: **Steven W. Hyma,** Milwaukee, WI (US);
Scott D. Bublitz, Hartland, WI (US)

(73) Assignee: **Milwaukee Electric Tool Corporation,**
Brookfield, WI (US)

(**) Term: **14 Years**

(21) Appl. No.: **29/439,881**

(22) Filed: **Dec. 17, 2012**

(51) **LOC (10) Cl.** **09-03**

(52) **U.S. Cl.**
USPC **D9/415; D9/414**

(58) **Field of Classification Search**
USPC D9/414, 415, 416, 417, 418, 419, 420,
D9/424, 430, 431-433, 440, 457, 346, 732,
D9/703, 423, 772, 776-779; D6/682.4;
D11/207; 40/124.01, 124.16, 124.191;
206/39, 337, 538, 704, 461, 462, 463,
206/471; 229/72, 75, 113, 116
See application file for complete search history.

(56) **References Cited**

U.S. PATENT DOCUMENTS

4,450,961	A	5/1984	Bies et al.	
4,586,615	A	5/1986	Quitmann	
D359,902	S *	7/1995	Deuschle	D9/415
5,501,330	A	3/1996	Betts	
D373,307	S *	9/1996	Menaged	D9/415
D387,980	S *	12/1997	Snitzer et al.	D9/415
D394,387	S *	5/1998	Williams	D9/433
D405,369	S *	2/1999	Dohner	D9/415
5,918,741	A	7/1999	Vasudeva	

6,257,409	B1	7/2001	Lin	
6,637,591	B2	10/2003	Chen	
6,832,684	B2	12/2004	Huang	
6,834,767	B1	12/2004	Lin	
7,055,680	B2 *	6/2006	Liebers	206/5
7,080,733	B2	7/2006	Kao	
D543,104	S *	5/2007	Frederiksen	D9/422
D584,138	S *	1/2009	Lafortezza et al.	D9/415
D625,993	S *	10/2010	Tyson et al.	D9/420
7,938,261	B1	5/2011	Lee	
7,971,714	B1	7/2011	Zore	
2005/0087465	A1	4/2005	Chang	
2005/0247587	A1	11/2005	Holland-Letz	
2011/0180499	A1	7/2011	Sun	
2011/0297568	A1	12/2011	Miller	

* cited by examiner

Primary Examiner — Robert M Spear

Assistant Examiner — Rhea Shields

(74) *Attorney, Agent, or Firm* — Michael Best & Friedrich LLP

(57) **CLAIM**

The ornamental design for packaging for a fastener driver, as shown and described.

DESCRIPTION

FIG. 1 is a perspective view of a packaging for a fastener driver according to the invention.

FIG. 2 is a front side view of the packaging shown in FIG. 1.

FIG. 3 is a back side view of the packaging shown in FIG. 1.

FIG. 4 is a left side view of the packaging shown in FIG. 1.

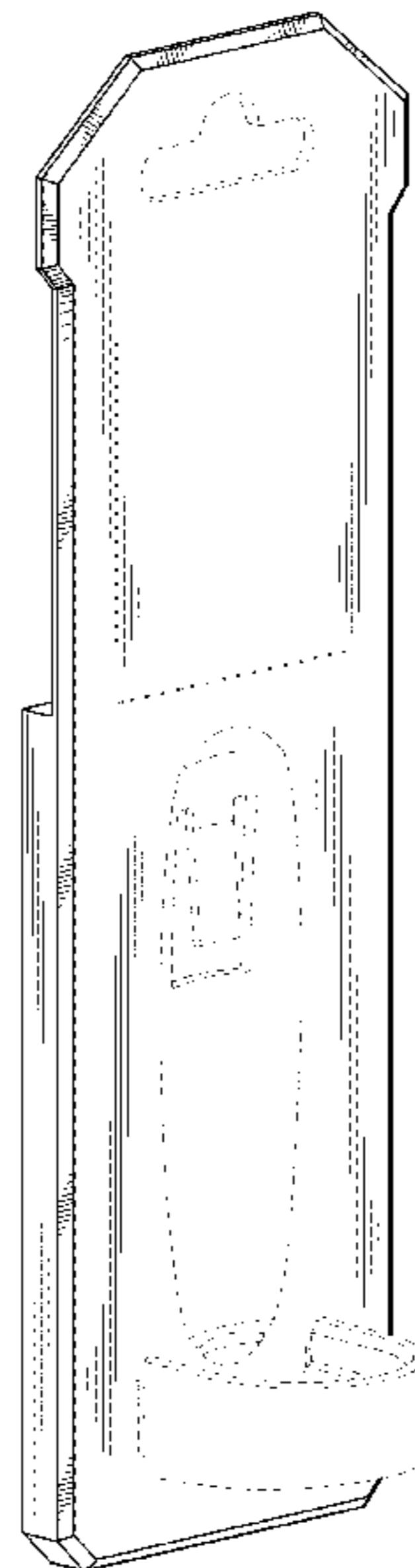
FIG. 5 is a right side view of the packaging shown in FIG. 1.

FIG. 6 is a top side view of the packaging shown in FIG. 1; and,

FIG. 7 is a bottom side view of the packaging shown in FIG. 1.

The broken lines in the figures illustrate unclaimed environment only and form no part of the claimed design.

1 Claim, 4 Drawing Sheets



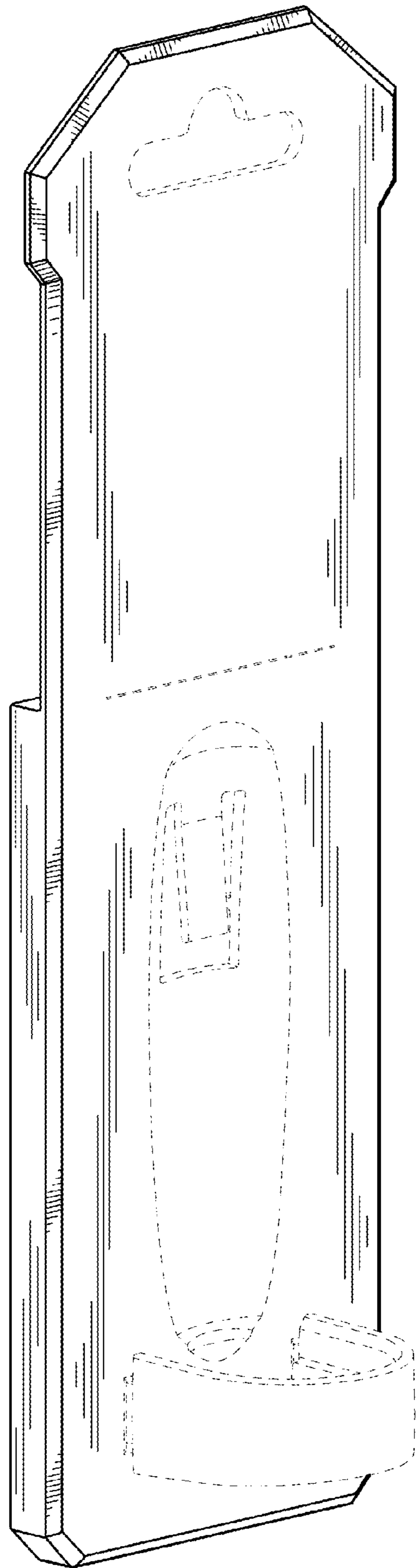


FIG. 1

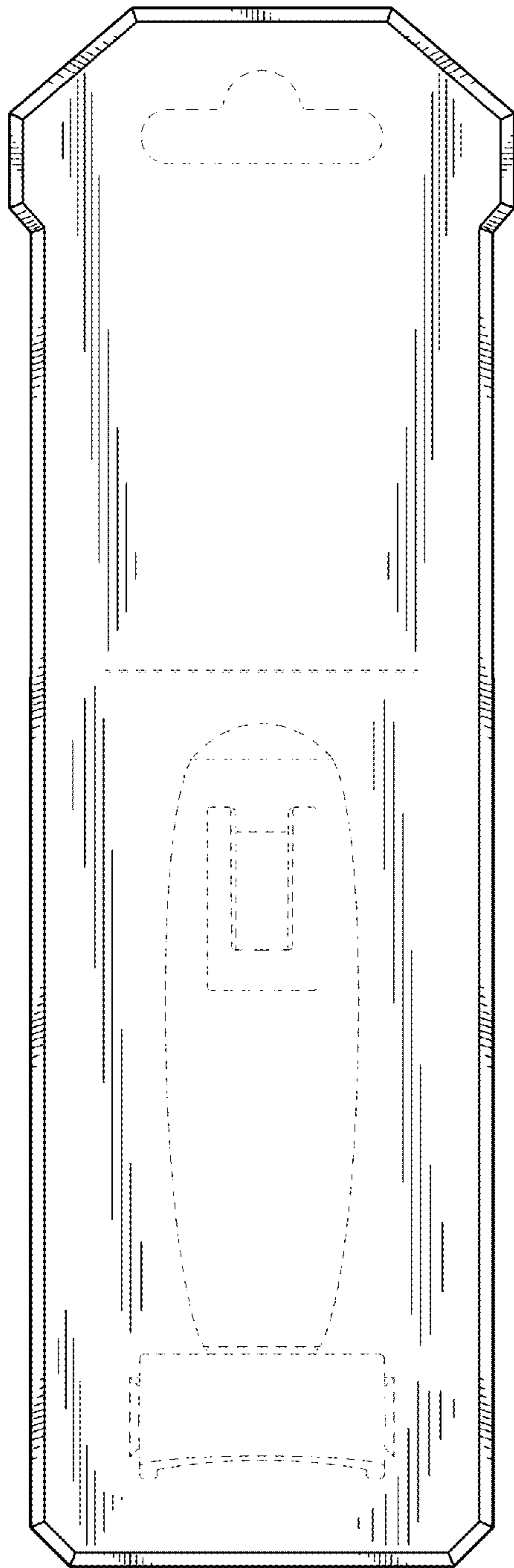


FIG. 2

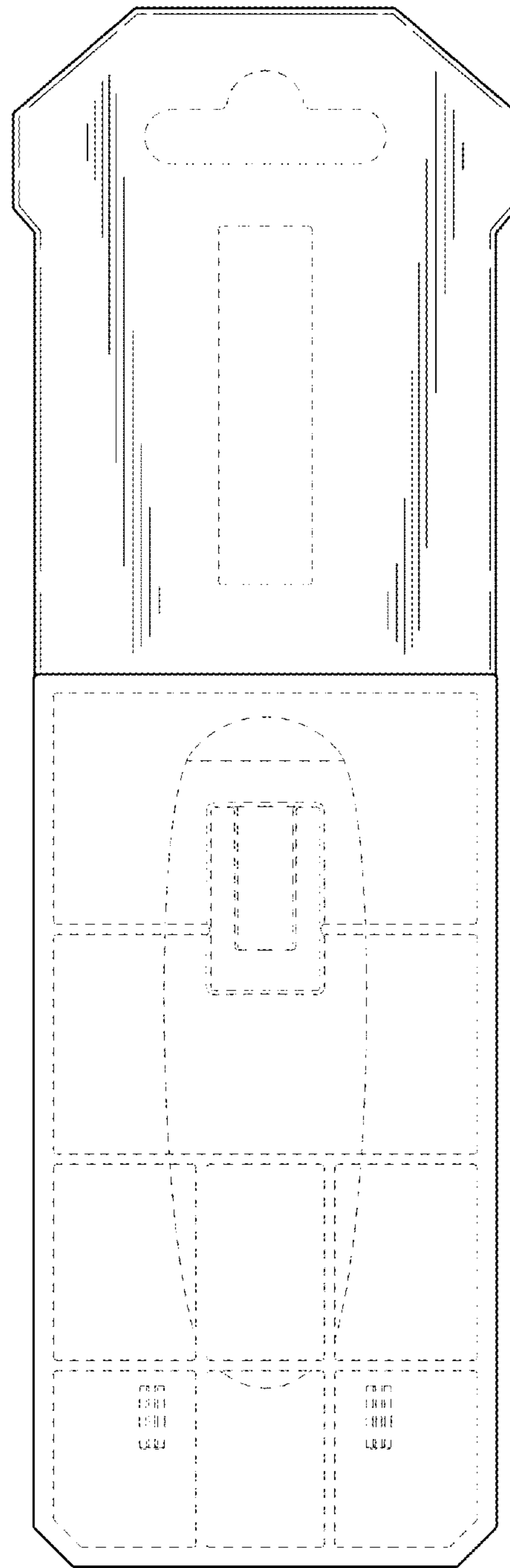


FIG. 3

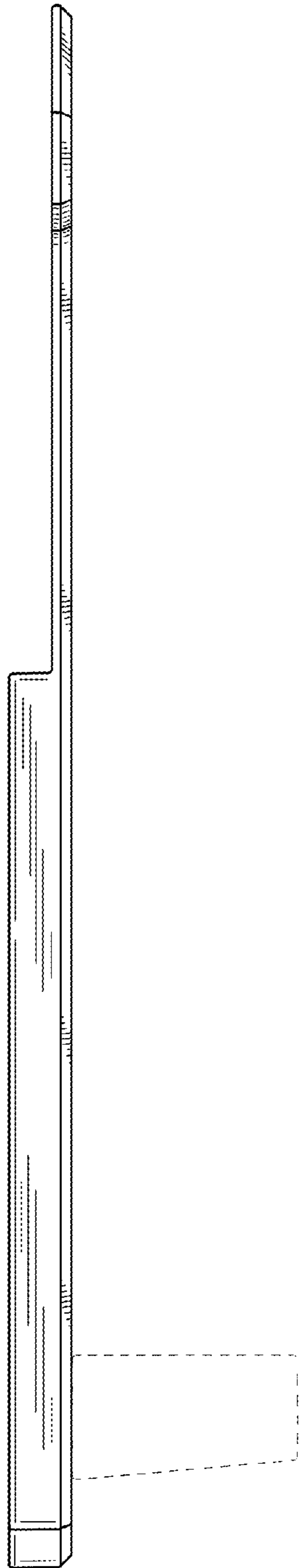


FIG. 4

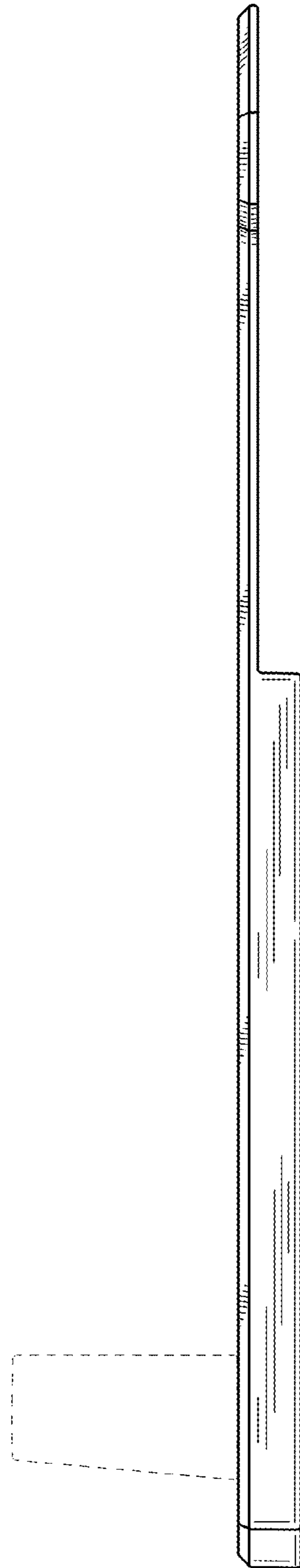


FIG. 5

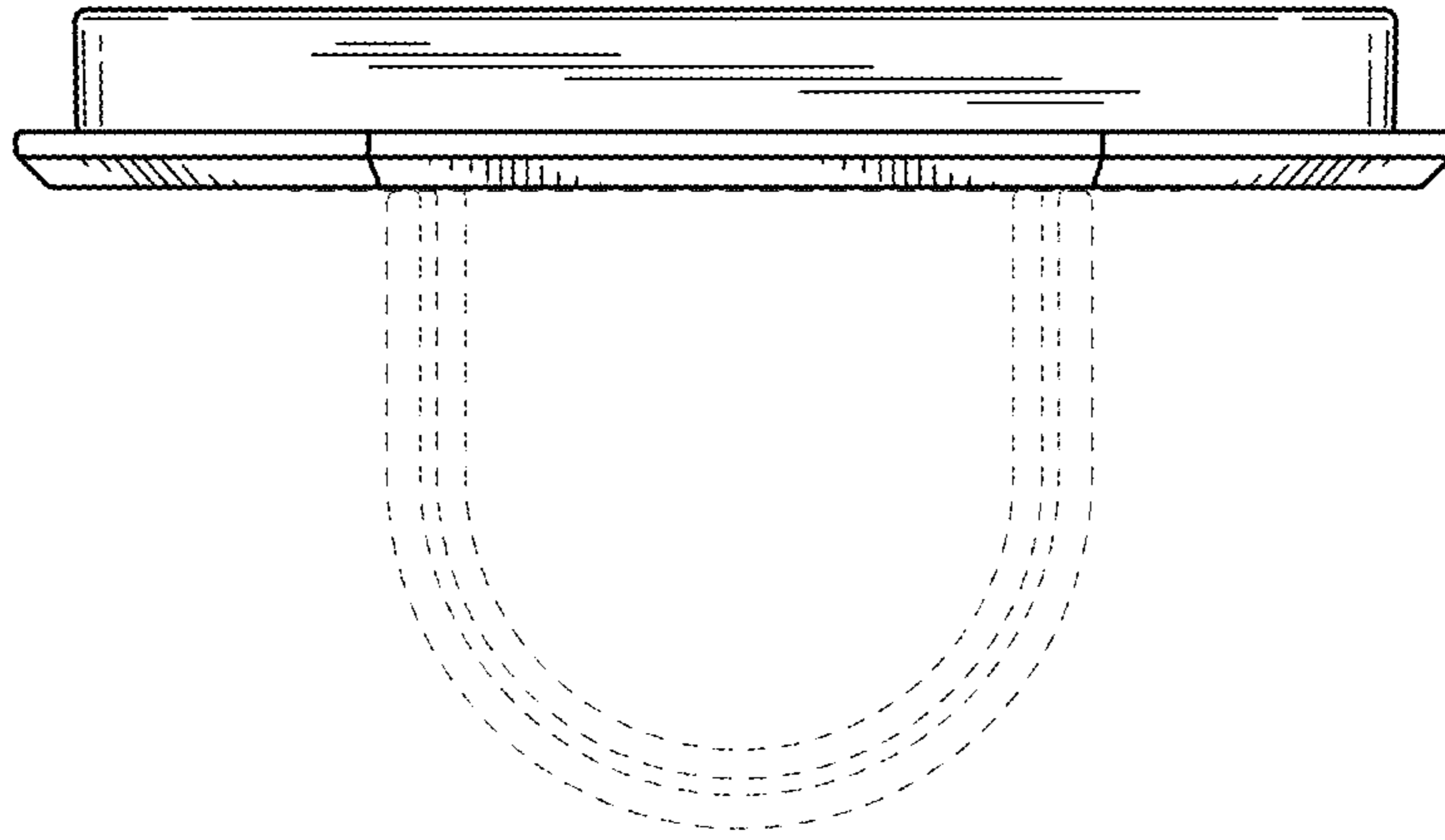


FIG. 6

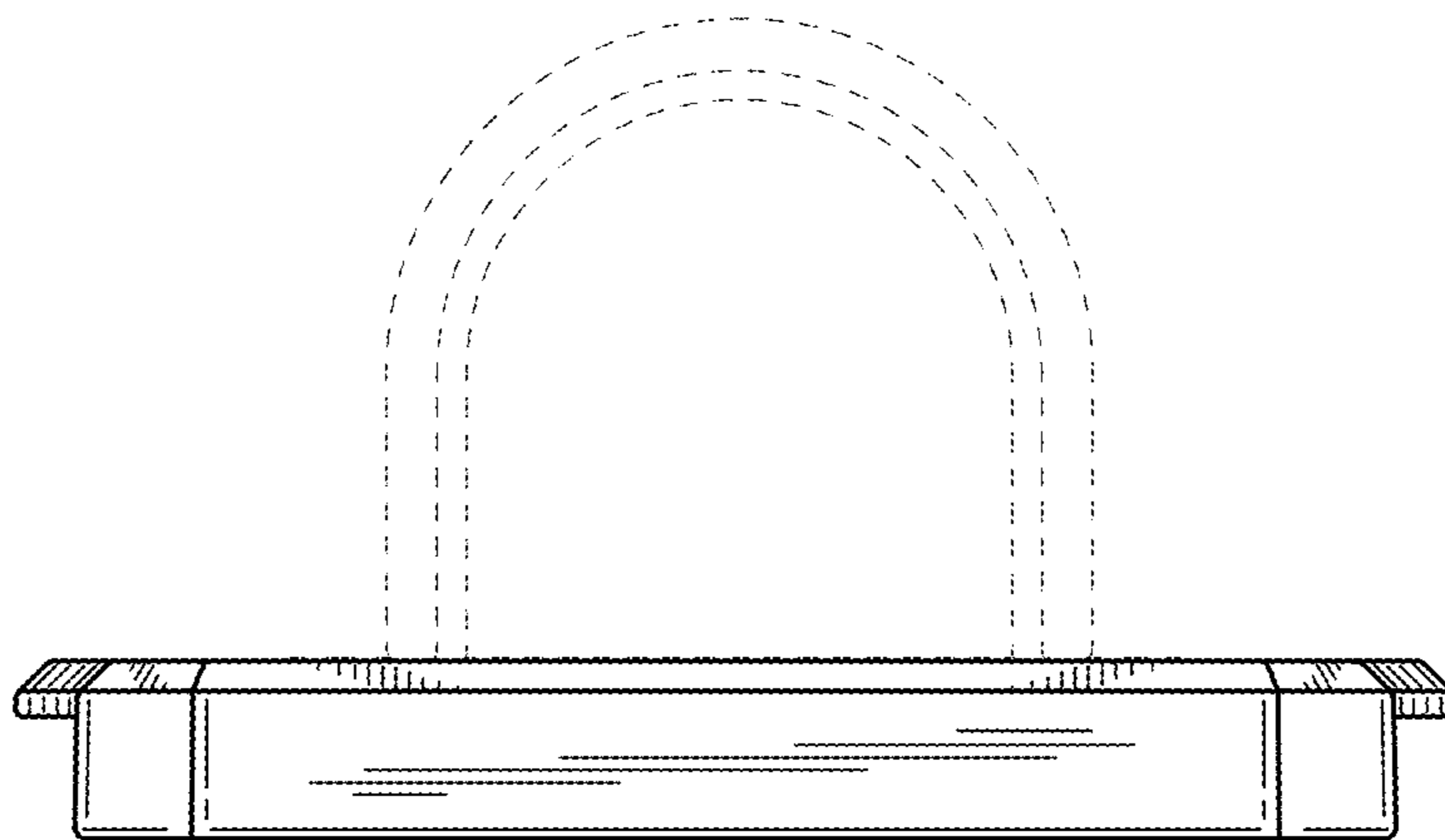


FIG. 7