



US00D704045S

(12) **United States Design Patent**
Lavelle

(10) **Patent No.:** **US D704,045 S**

(45) **Date of Patent:** **** May 6, 2014**

(54) **CORNER PROTECTOR**

(76) Inventor: **Richard M. Lavelle**, Wexford, PA (US)

(**) Term: **14 Years**

(21) Appl. No.: **29/413,741**

(22) Filed: **Feb. 20, 2012**

(51) **LOC (10) Cl.** **08-09**

(52) **U.S. Cl.**

USPC **D8/403**

(58) **Field of Classification Search**

USPC D8/380, 354, 400-499; D24/227;
D9/456; D14/217; D34/19, 38; 52/24,
52/287.1; 108/55.1, 56.3, 57.17, 57.19;
206/320, 326, 453, 557-567, 586;
229/199; 312/215, 271, 289, 290;
422/26, 28, 40, 292, 297, 302;
D12/167, 172; D25/199; 428/99, 199;
54/24, 26

See application file for complete search history.

(56) **References Cited**

U.S. PATENT DOCUMENTS

1,320,205 A	10/1919	Cochrane
1,546,680 A	7/1925	Sessions
2,080,630 A	5/1937	Nathanson
3,030,728 A	4/1961	Wesman
D191,133 S	8/1961	Marx
2,995,863 A	8/1961	Bright
3,137,087 A	6/1964	Shroyer
D220,166 S	3/1971	Griffith
3,655,113 A	4/1972	Carroll
3,725,188 A	4/1973	Kalt
3,762,626 A	10/1973	Dorsey
3,822,036 A	7/1974	Goodsite
3,843,038 A	10/1974	Sax

3,870,152 A	3/1975	Kaplan
3,955,677 A	5/1976	Collingwood
3,960,354 A	6/1976	Simikoski

(Continued)

FOREIGN PATENT DOCUMENTS

EP	0143299	6/1985
EP	1357056	10/2003
WO	9410058	5/1994
WO	2007019233	2/2007

OTHER PUBLICATIONS

Key Surgical, Inc. (Surgical Tray Corner Protector).
surgicalproductsmag.com [online]p. 1 of 6. Posted Oct. 19, 2011.
[retrieved on Dec. 5, 2013] Retrieved from Interenet: <URL http://
www.surgicalproductsmag.com/product-releases/2011/10/surgical-
tray-corner-protector>.*

(Continued)

Primary Examiner — Eric Goodman
Assistant Examiner — Marie D Fast Horse
(74) *Attorney, Agent, or Firm* — Trego, Hines & Ladenheim,
PLLC

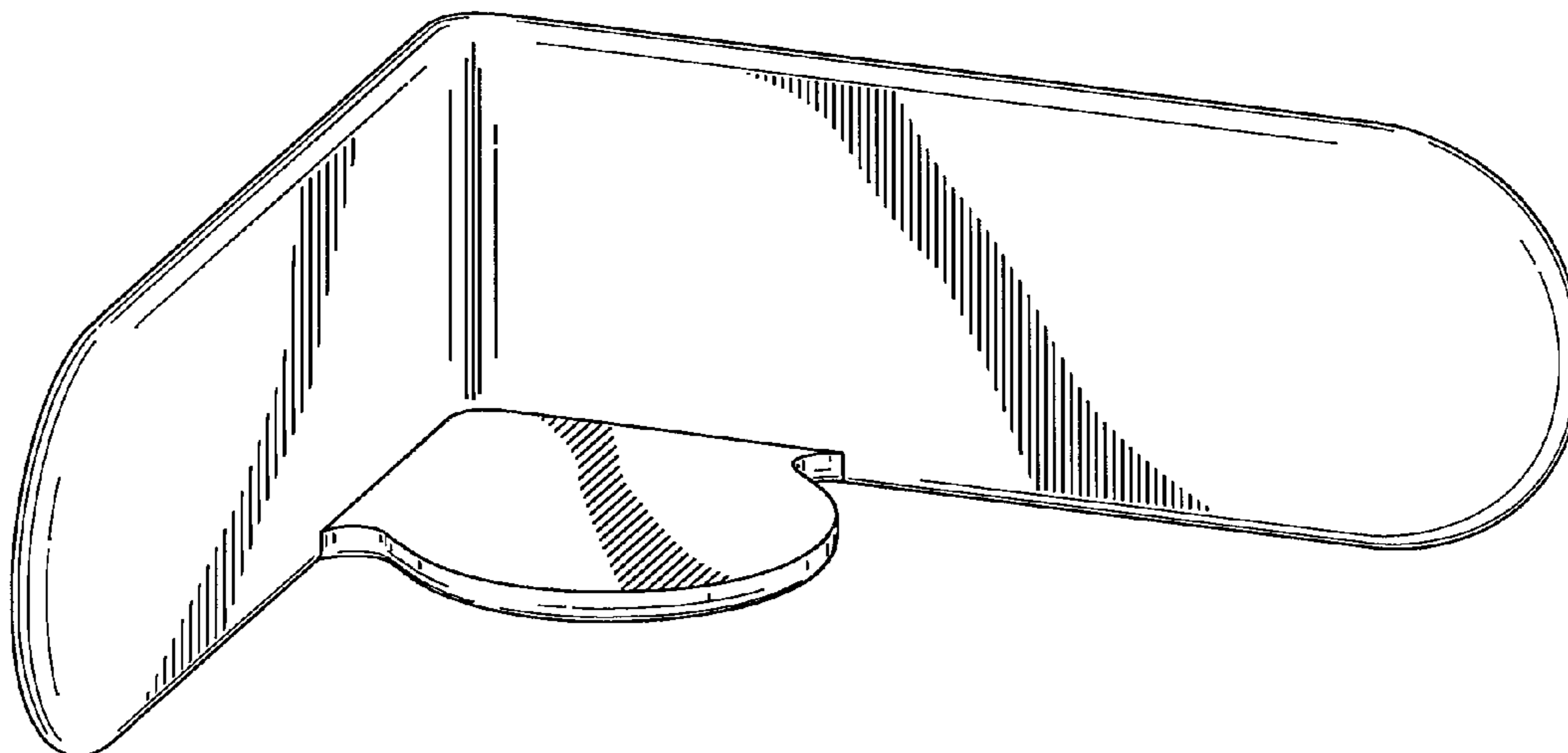
(57) **CLAIM**

I claim the ornamental design for a corner protector, as shown
and described.

DESCRIPTION

FIG. 1 is a perspective view of a corner protector, showing my
design;
FIG. 2 is a top view of the corner protector of FIG. 1;
FIG. 3 is a bottom view of the corner protector of FIG. 1;
FIG. 4 is a rear elevation of the corner protector of FIG. 1;
FIG. 5 is a left elevation of the corner protector of FIG. 1;
FIG. 6 is a right elevation of the corner protector of FIG. 1;
and,
FIG. 7 is a front elevation of the corner protector of FIG. 1.

1 Claim, 7 Drawing Sheets



(56)

References Cited

U.S. PATENT DOCUMENTS

3,975,564 A 8/1976 Jones
 3,994,433 A 11/1976 Jenkins et al.
 4,072,231 A 2/1978 Helms
 D249,314 S 9/1978 Wilde et al.
 D253,506 S 11/1979 Vigue
 D260,590 S 9/1981 Hobson
 4,287,265 A 9/1981 McKnight
 4,496,054 A 1/1985 Koltun
 4,529,091 A 7/1985 Martin
 D287,446 S 12/1986 Cowle
 4,742,916 A 5/1988 Galea
 4,838,427 A 6/1989 Hurley
 4,851,286 A 7/1989 Maurice
 4,852,744 A 8/1989 Van Breemen
 5,175,041 A 12/1992 Webb et al.
 5,297,682 A 3/1994 Miltenberger
 5,311,825 A 5/1994 Bonham
 5,370,229 A 12/1994 Kroeckel et al.
 D356,946 S 4/1995 Rekuc
 5,549,868 A 8/1996 Carlson, II
 D384,585 S 10/1997 Swarr
 5,749,512 A 5/1998 Gingras-Taylor
 5,772,037 A 6/1998 Hurley
 5,868,372 A 2/1999 Novak et al.
 D412,436 S 8/1999 Tsui
 D416,476 S 11/1999 Engberg
 6,007,469 A 12/1999 Jaegers et al.
 6,039,184 A 3/2000 Gale
 6,103,335 A 8/2000 Zoller et al.
 6,202,848 B1 3/2001 Tindoll et al.
 D454,371 S 3/2002 Goodman et al.
 6,368,694 B1 4/2002 Marsh et al.
 6,440,375 B1 8/2002 Davis et al.
 6,470,637 B2 10/2002 Gratz
 6,478,354 B1 11/2002 Eyal
 D475,613 S * 6/2003 Mullane D8/499
 6,629,608 B2 10/2003 Hurley et al.
 6,776,380 B1 8/2004 Kirk, Jr. et al.

6,840,372 B2 1/2005 Giles et al.
 6,902,712 B2 6/2005 Davis
 D518,526 S 4/2006 Benn
 D537,337 S 2/2007 Brockington et al.
 D557,432 S * 12/2007 Smith D25/136
 D560,485 S * 1/2008 Lavelle D8/402
 D573,013 S * 7/2008 Lavelle D8/403
 7,413,157 B2 8/2008 Curnow et al.
 7,422,185 B2 9/2008 Curnow et al.
 7,516,576 B1 * 4/2009 Mullane 52/24
 D598,756 S 8/2009 Robichaud et al.
 D602,350 S * 10/2009 Lavelle D8/403
 D606,384 S * 12/2009 Antonic D8/354
 D610,443 S * 2/2010 Fisher D8/499
 D610,444 S * 2/2010 Fisher D8/499
 D612,718 S * 3/2010 Lavelle D8/403
 D618,995 S * 7/2010 Lavelle D8/403
 7,780,136 B2 * 8/2010 Curnow et al. 248/345.1
 D624,812 S * 10/2010 Lavelle D8/403
 D624,813 S * 10/2010 Lavelle D8/403
 D640,919 S * 7/2011 Lavelle D8/403
 D647,212 S * 10/2011 Lavelle D24/227
 D654,356 S * 2/2012 Lavelle D8/403
 D656,007 S * 3/2012 Swoish et al. D8/403
 D660,454 S * 5/2012 Lavelle D24/227
 D664,851 S * 8/2012 Burns et al. D9/456
 D673,853 S * 1/2013 Burns et al. D9/456
 2005/0244316 A1 11/2005 Davis
 2006/0000745 A1 1/2006 Seelye et al.
 2006/0243636 A1 11/2006 Robichaud et al.
 2007/0251855 A1 11/2007 Curnow et al.

OTHER PUBLICATIONS

Key Suurgical, Inc. (Surgical Tray Corner Protector).
 Surgicalproductamag.com [online] p. 1 of 6. Oct. 19, 2011 http://www.surgicalproductsmag.com/product-releases/2011/10/surgical-tray-corner-protector.*
 HMARK, UnderGuard Tray Corners, 2006, p. 19, US.

* cited by examiner

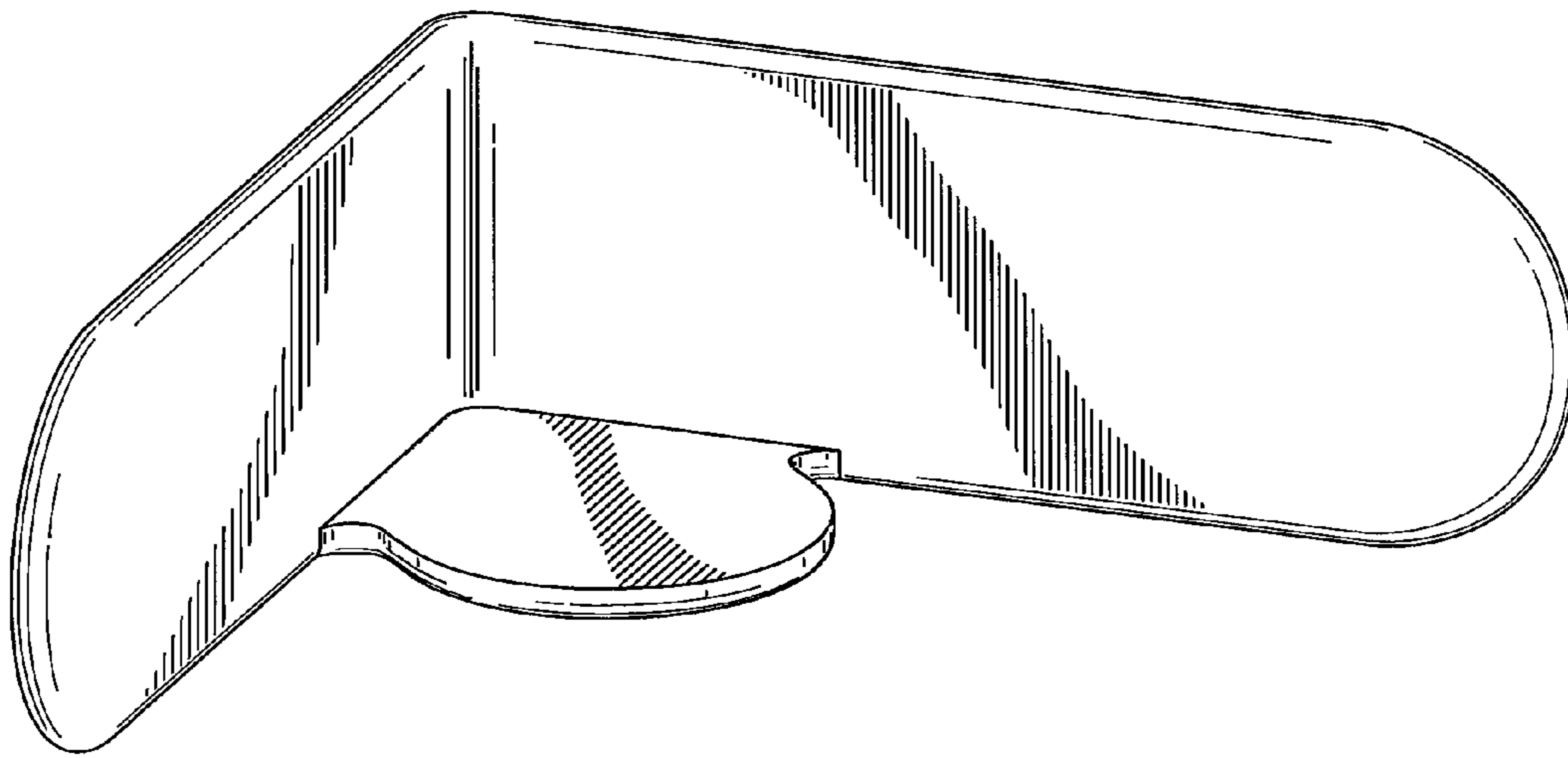


FIG. 1

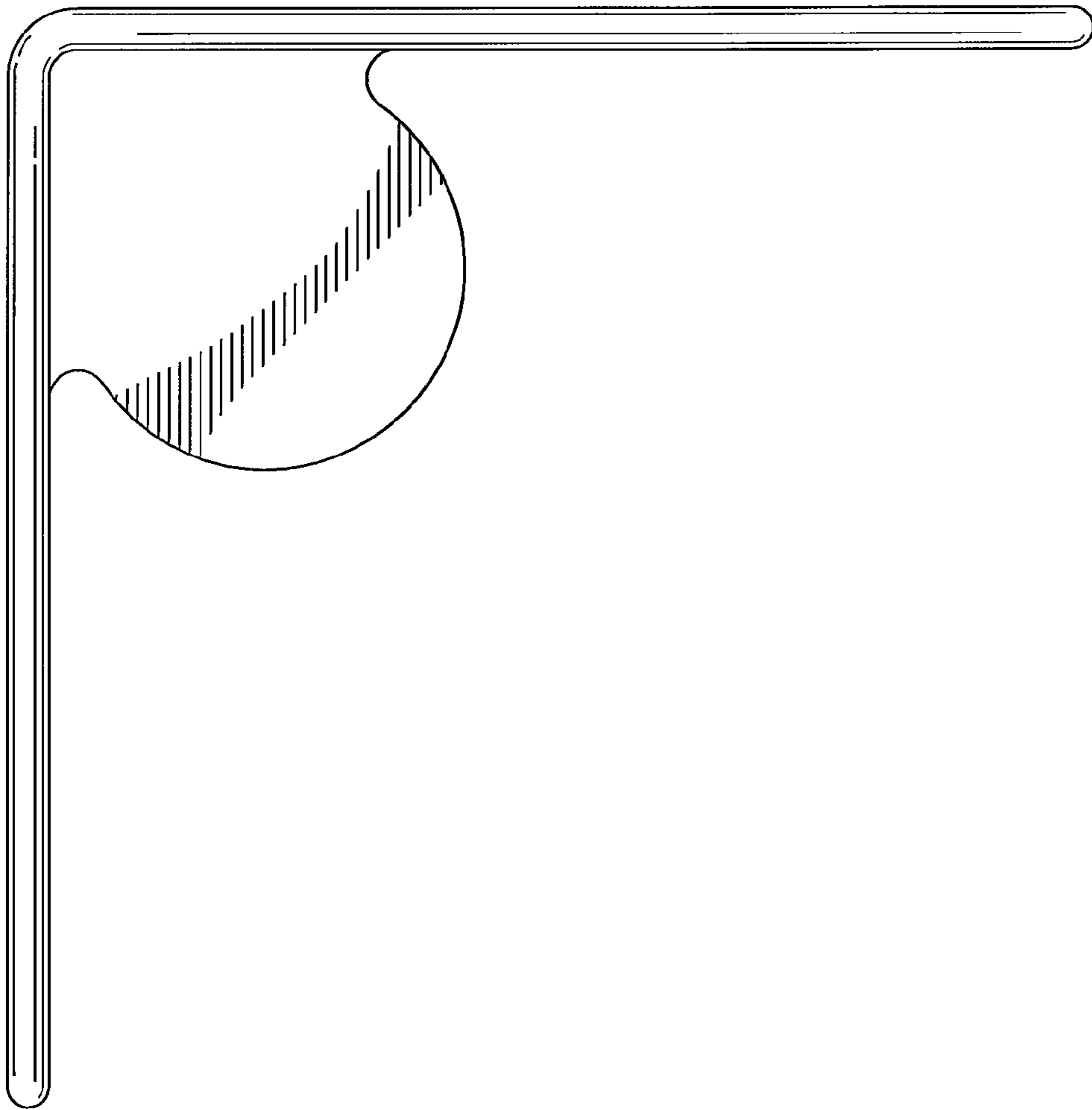


FIG. 2

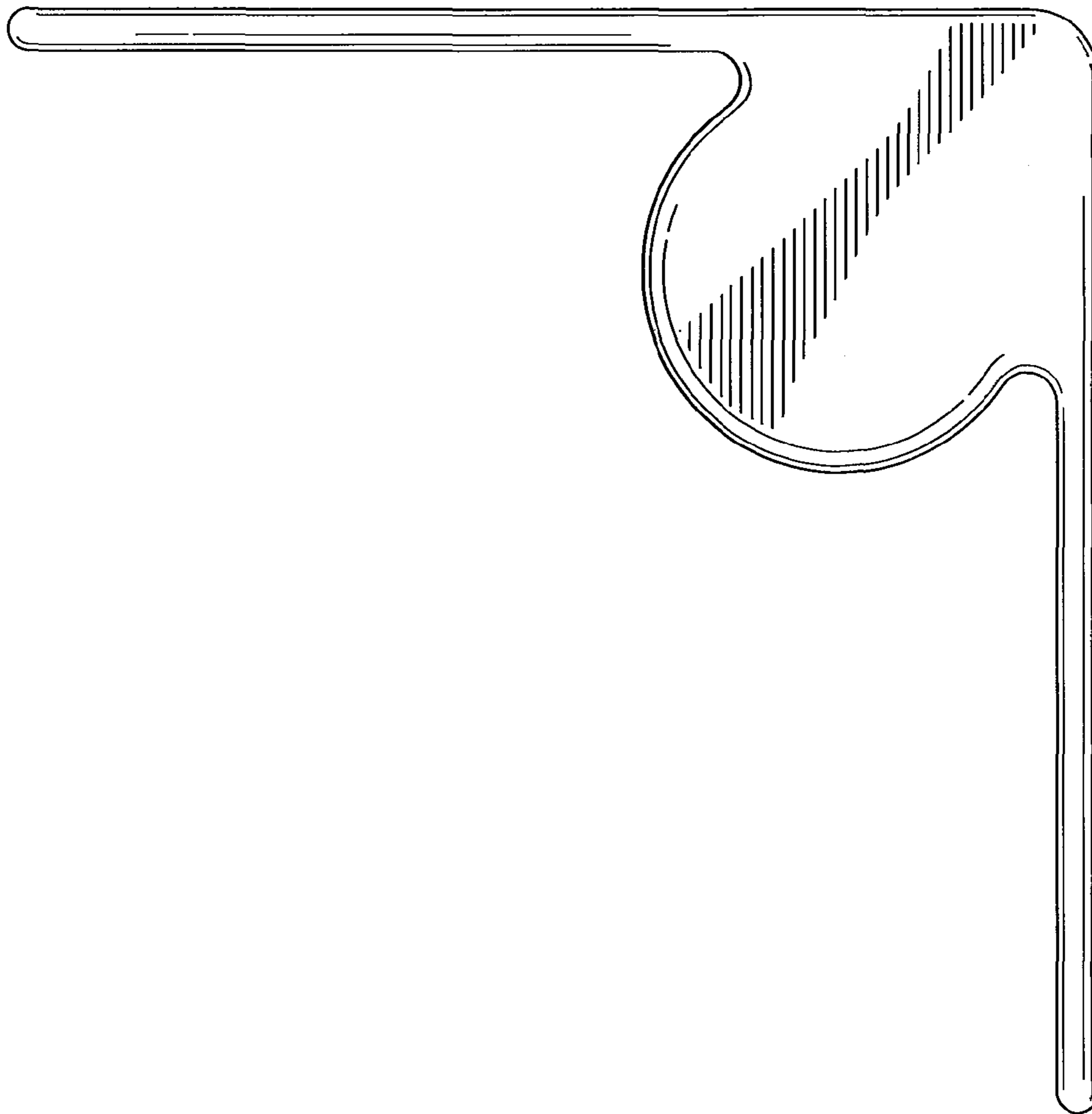


FIG. 3

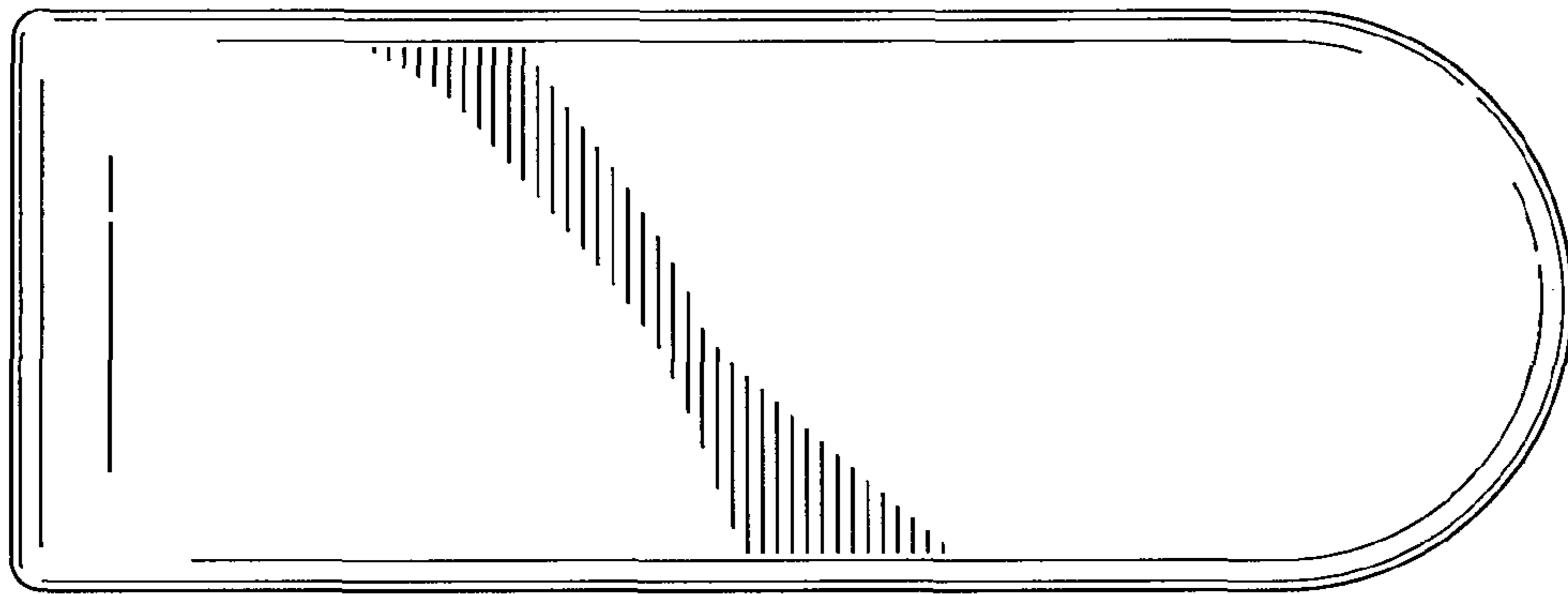


FIG. 4

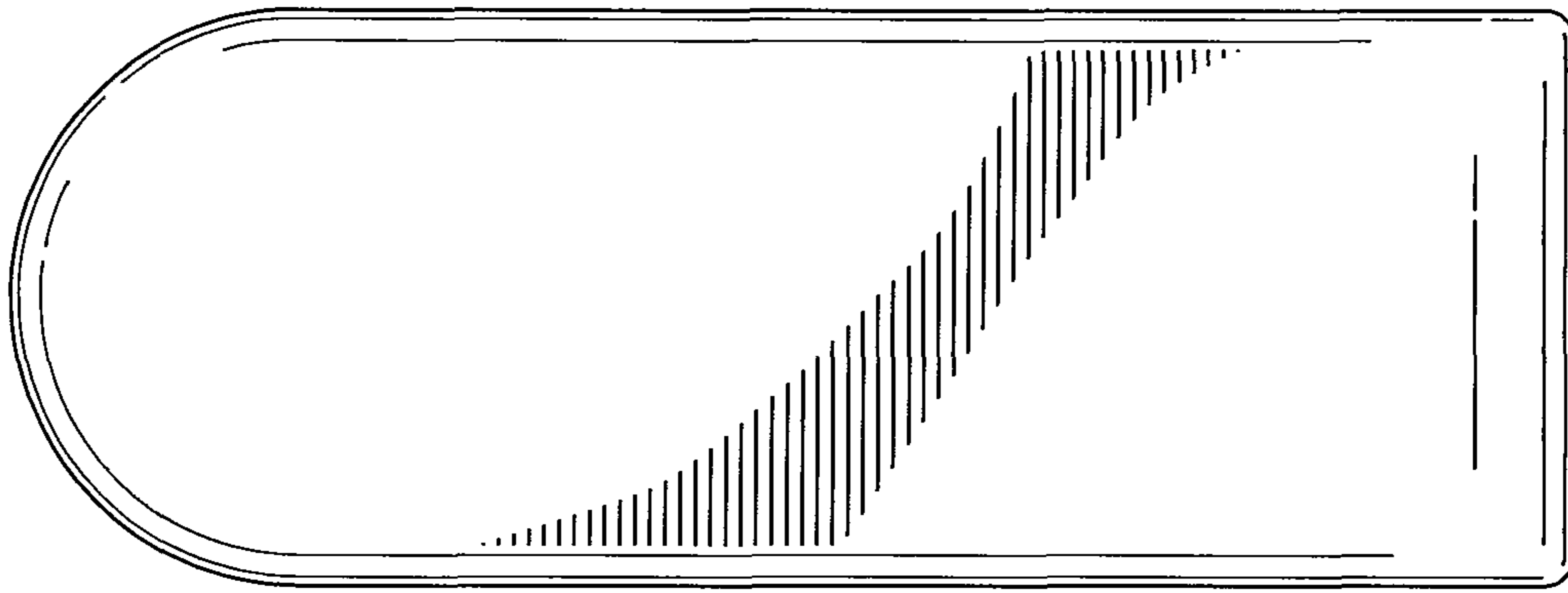


FIG. 5

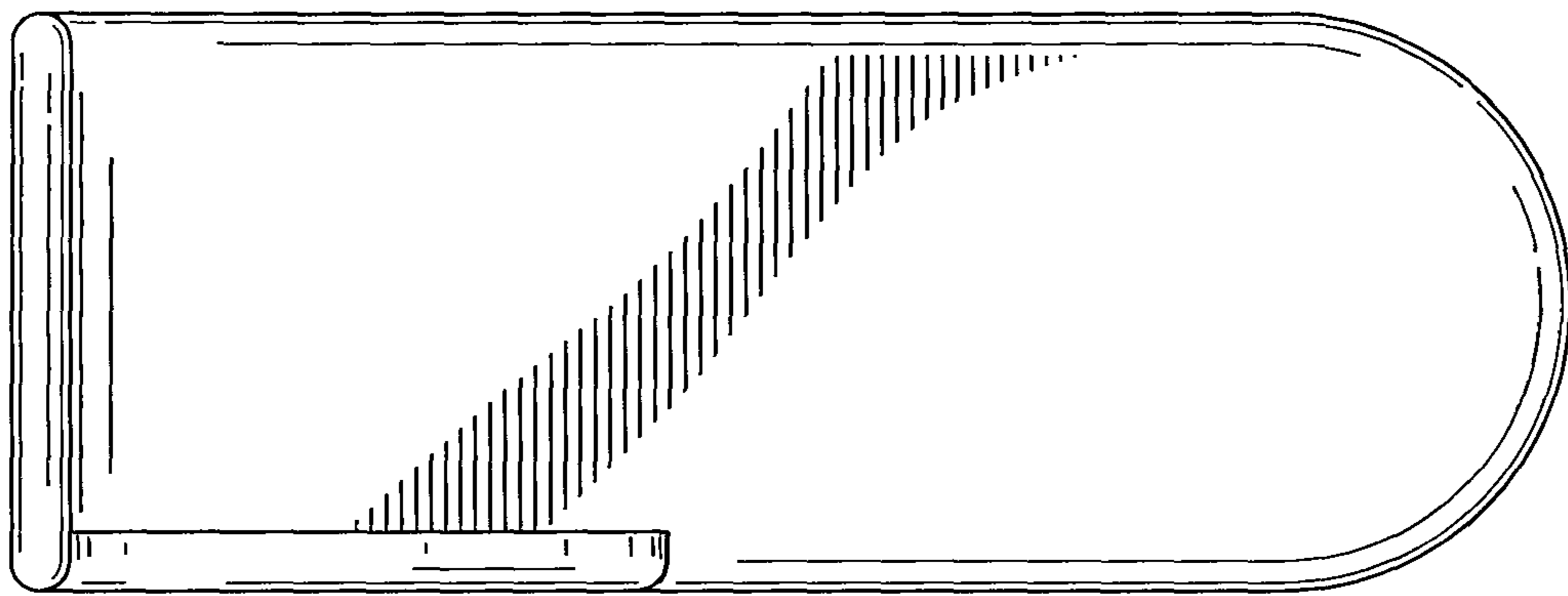


FIG. 6

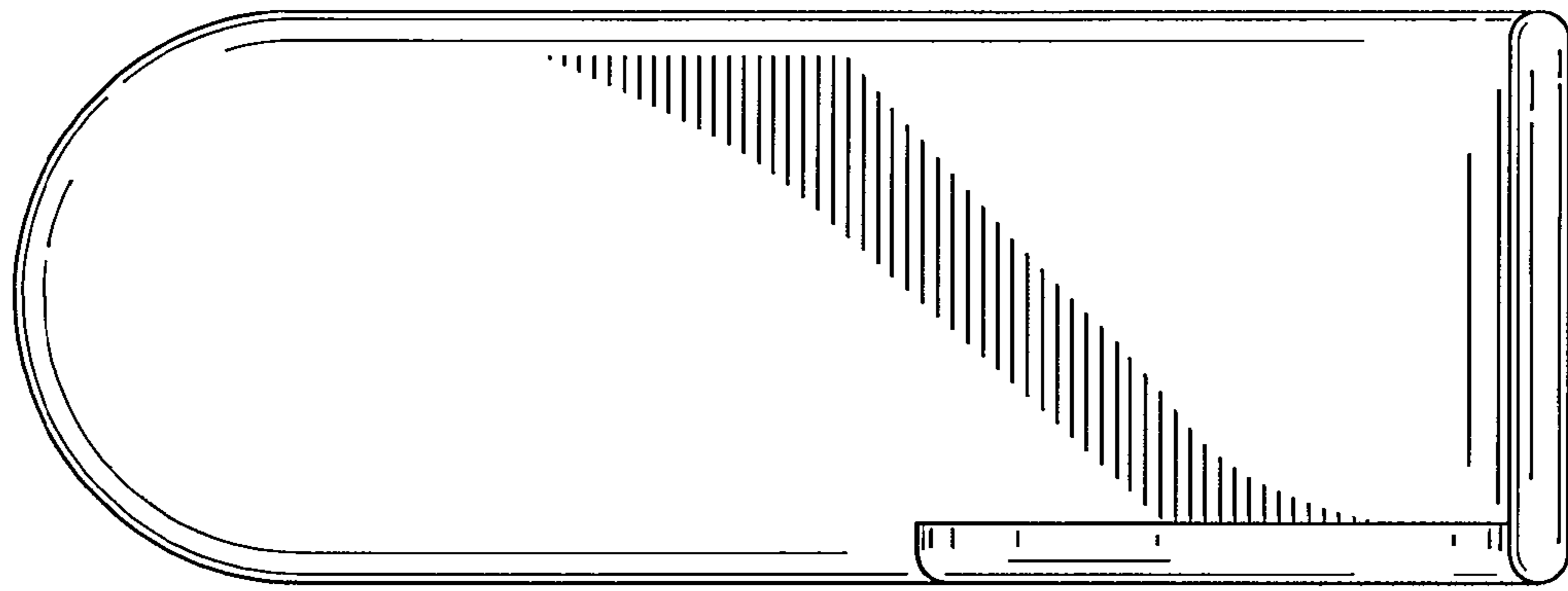


FIG. 7