



US00D704044S

(12) **United States Design Patent**
Makino

(10) **Patent No.:** **US D704,044 S**

(45) **Date of Patent:** **** May 6, 2014**

(54) **BLIND NUT**

(71) Applicant: **Newfrey LLC**, Newark, DE (US)

(72) Inventor: **Takanori Makino**, Toyohashi (JP)

(73) Assignee: **Newfrey LLC**, Newark, DE (US)

(**) Term: **14 Years**

(21) Appl. No.: **29/436,181**

(22) Filed: **Nov. 2, 2012**

(30) **Foreign Application Priority Data**

May 2, 2012 (JP) 2012-10352

(51) **LOC (10) Cl.** **08-08**

(52) **U.S. Cl.**
USPC **D8/397**

(58) **Field of Classification Search**
USPC D8/397, 394, 382, 349, 356, 399, 363,
D8/352; 403/291, 309, 300, 301, 310, 311,
403/403; 411/427, 429, 432, 918, 180
See application file for complete search history.

(56) **References Cited**

U.S. PATENT DOCUMENTS

D32,659 S *	5/1900	Higgin	D8/397
D32,793 S *	6/1900	Fauber	D8/399
687,774 A *	12/1901	Oliver	411/326
D57,407 S *	3/1921	Walker	D23/269
2,764,886 A *	10/1956	Wiesmann	52/105
3,213,914 A *	10/1965	Baumle et al.	411/179
D218,674 S *	9/1970	Ernest	D8/387

D278,594 S *	4/1985	Lye	D8/25
5,092,725 A *	3/1992	Aittama	411/190
D364,882 S *	12/1995	Junkers	D15/199
5,622,208 A *	4/1997	Vinson	138/89
D449,515 S *	10/2001	Sato	D8/397
D453,000 S *	1/2002	Shinjo et al.	D8/397
D488,715 S *	4/2004	Plumer	D8/397
D510,259 S *	10/2005	Yoshimoto	D8/397
D520,856 S *	5/2006	Osiecki et al.	D8/312
D520,859 S *	5/2006	Osiecki et al.	D8/321
D549,091 S *	8/2007	McIntyre et al.	D8/399
D557,132 S *	12/2007	Shinjo	D8/397
D583,656 S *	12/2008	Bush	D8/397
D623,049 S *	9/2010	Zeyfang	D8/397
D648,775 S *	11/2011	Rockett	D17/22
D684,678 S *	6/2013	Okada et al.	D23/411
D690,581 S *	10/2013	Brander	D8/349
2003/0152442 A1 *	8/2003	Curley et al.	411/427
2007/0098520 A1 *	5/2007	Schraer	411/179

* cited by examiner

Primary Examiner — Cynthia Underwood

(74) *Attorney, Agent, or Firm* — Michael P. Leary

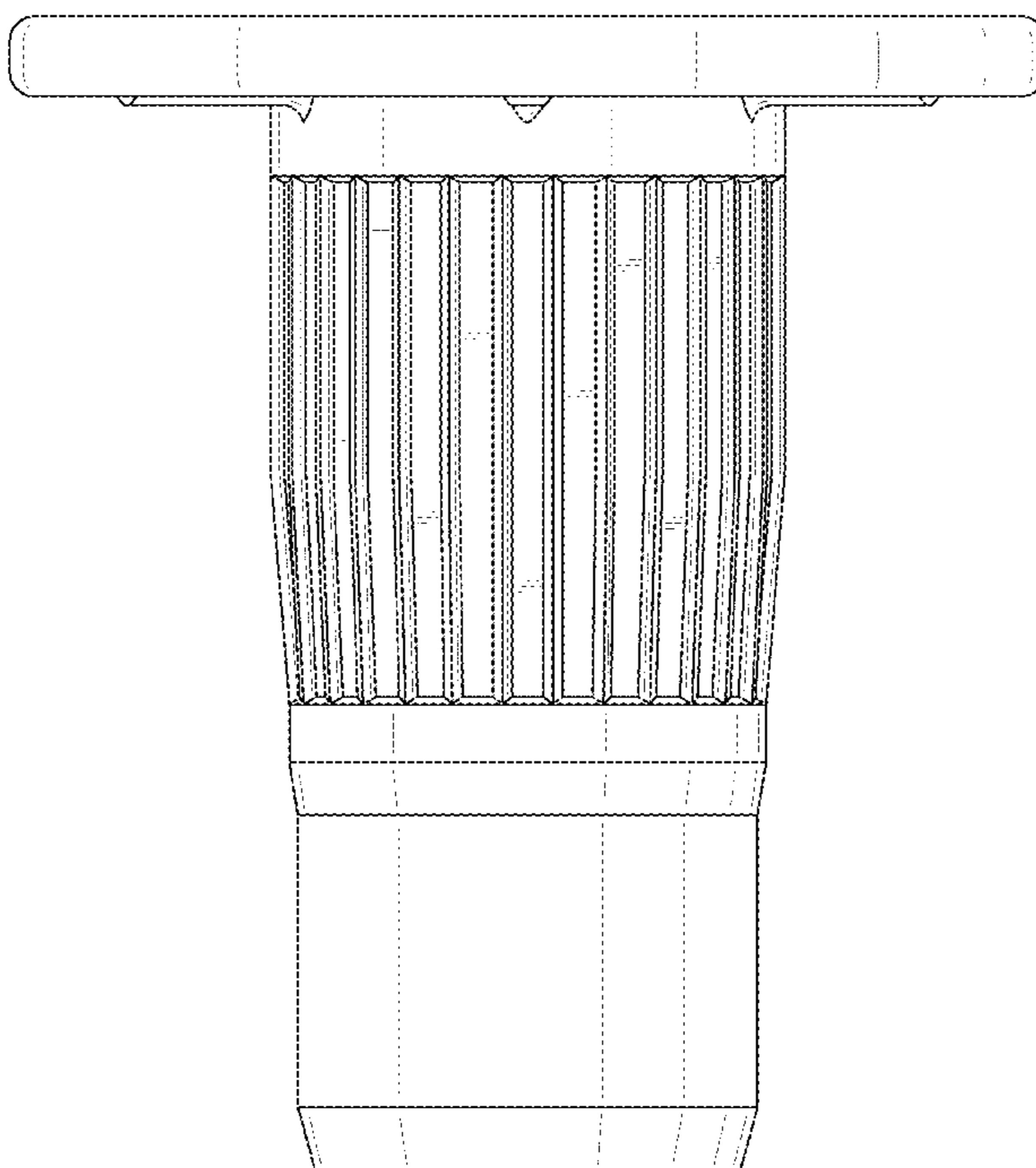
(57) **CLAIM**

The ornamental design for a blind nut, as shown and described.

DESCRIPTION

FIG. 1 is a right side view of a blind nut according to the present invention;
FIG. 2 is a left side view thereof;
FIG. 3 is a top view thereof;
FIG. 4 is a bottom view thereof; and,
FIG. 5 is a vertical cross section of the blind nut of the present invention, taken along line 5-5 of FIG. 3.

1 Claim, 5 Drawing Sheets



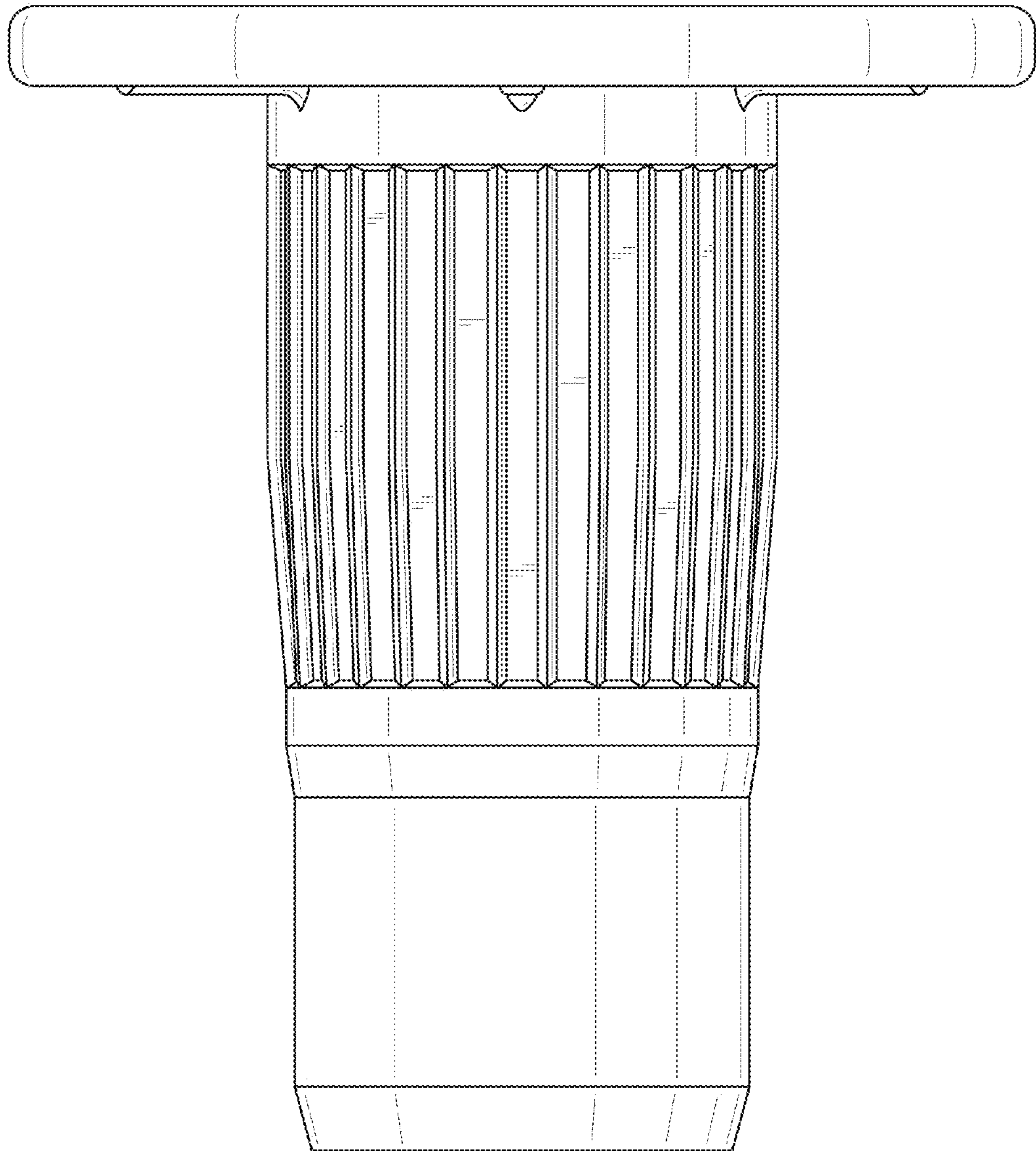


FIG. 1

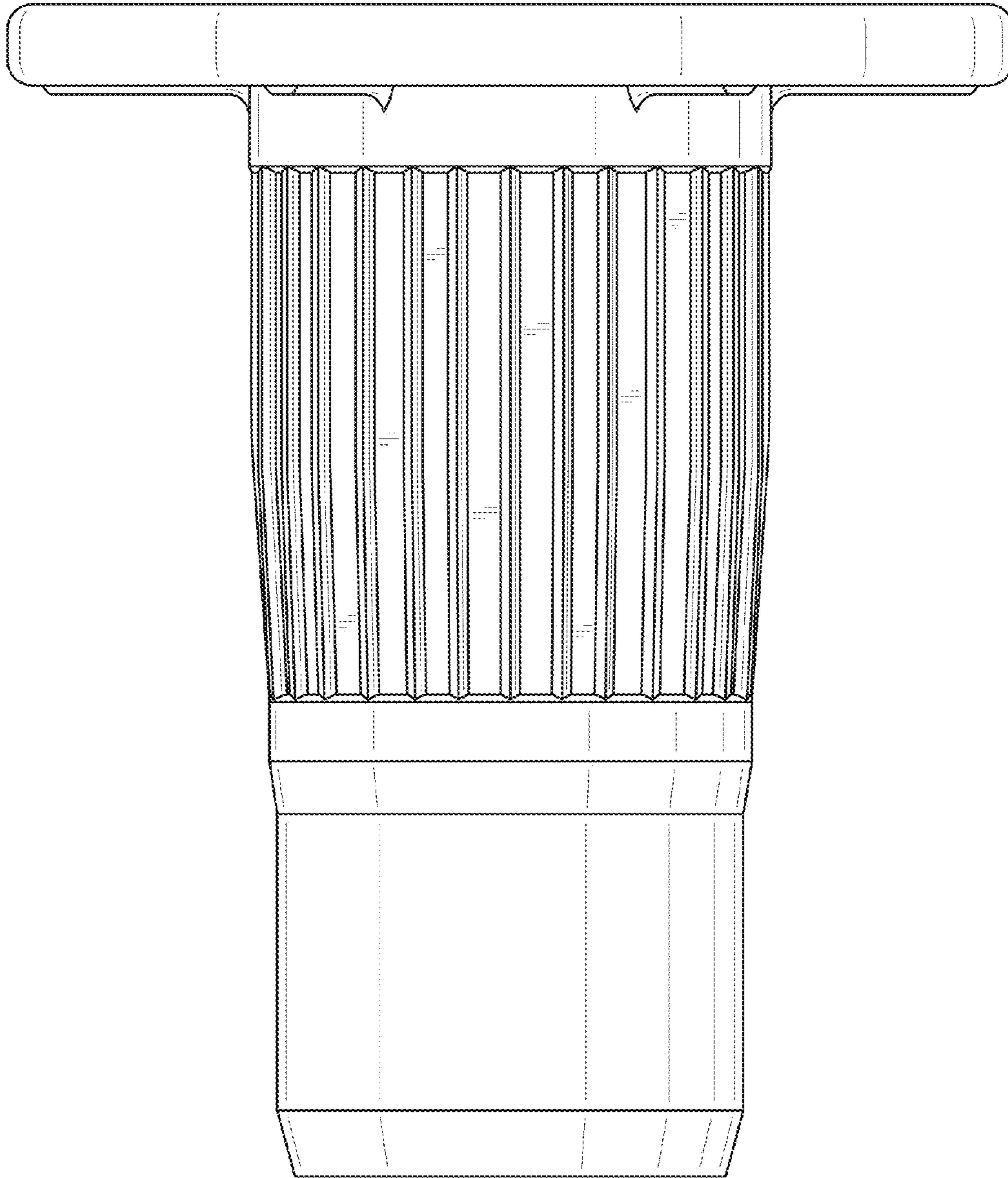


FIG. 2

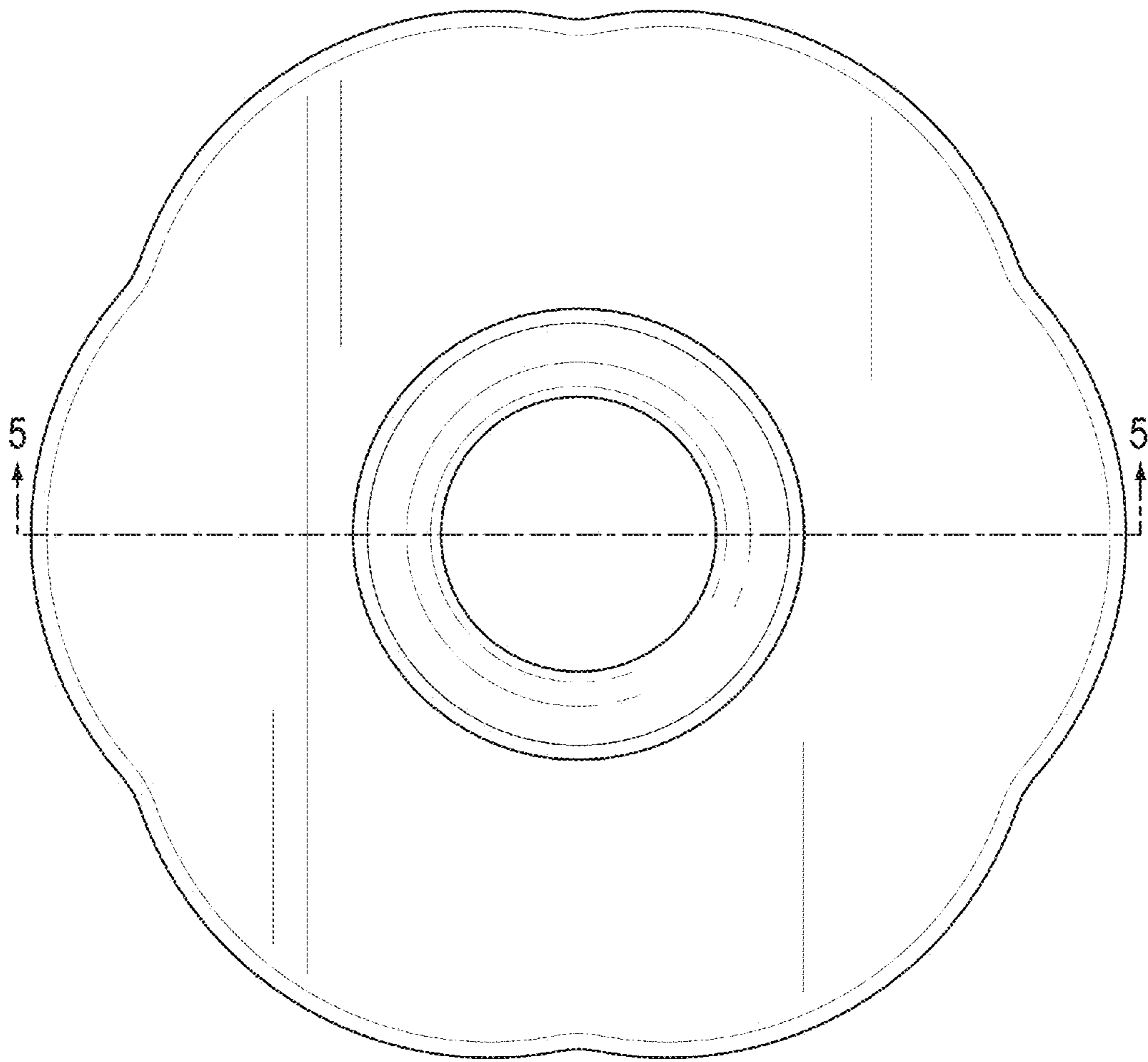


FIG. 3

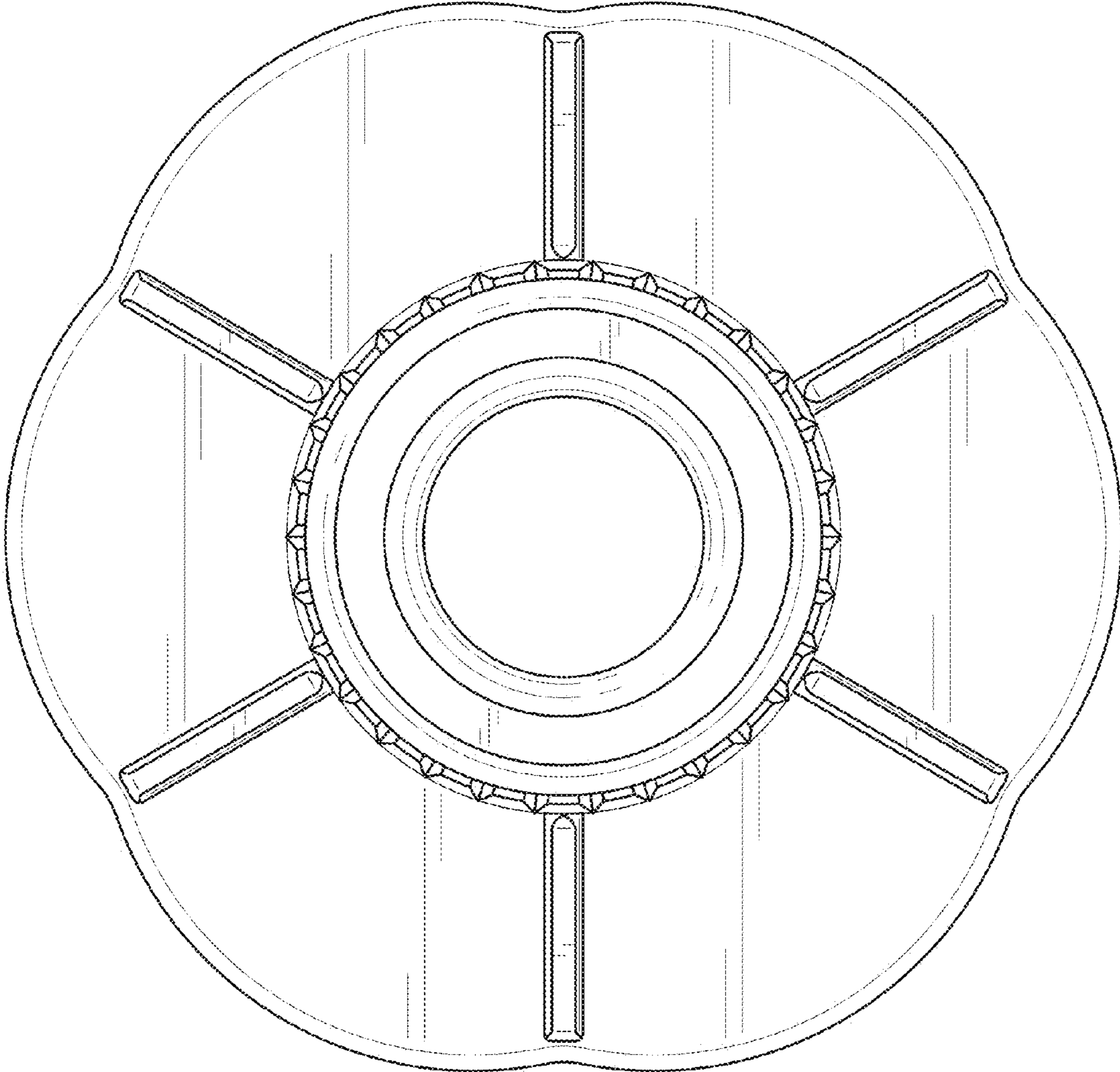


FIG. 4

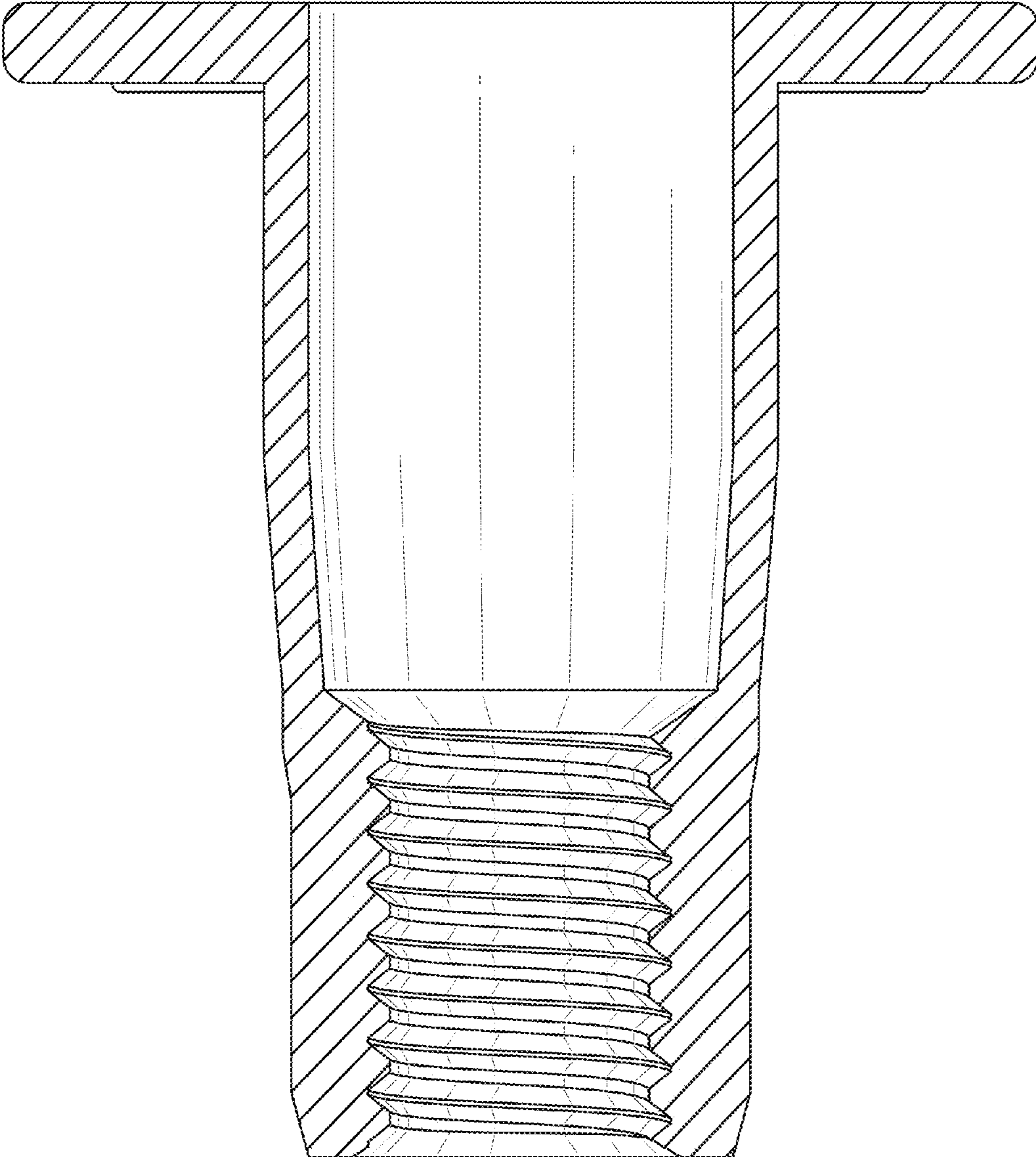


FIG. 5