



US00D704043S

(12) **United States Design Patent**  
**Gledhill et al.**

(10) **Patent No.:** **US D704,043 S**

(45) **Date of Patent:** **\*\* May 6, 2014**

(54) **PIPE CONNECTION TOOL**

(71) Applicant: **GSA Industries (Aust.) Pty. Ltd.**,  
Melbourne (AU)

(72) Inventors: **Jeremy Gledhill**, Moorabbin (AU);  
**Peter Graham**, Evesham Worcester  
(GB)

(73) Assignee: **GSA Industries (Aust.) Pty. Ltd.** (AU)

(\*\*) Term: **14 Years**

(21) Appl. No.: **29/465,655**

(22) Filed: **Aug. 30, 2013**

(30) **Foreign Application Priority Data**

Aug. 23, 2013 (AU) ..... 14169/2013

(51) **LOC (10) Cl.** ..... **08-08**

(52) **U.S. Cl.**  
USPC ..... **D8/396**

(58) **Field of Classification Search**  
USPC ..... D8/354, 356, 371, 394-396; D19/65,  
D19/86; D24/128; 248/74.2, 215, 227.1, 49,  
248/300, 301, 316.7, 51, 489; 24/570, 3.12;  
D32/61; D11/78.1  
See application file for complete search history.

(56) **References Cited**

**U.S. PATENT DOCUMENTS**

3,056,412 A \* 10/1962 Wolfe ..... 131/328  
D201,356 S \* 6/1965 Howard ..... D32/61  
D212,505 S \* 10/1968 Guerrero et al. .... D8/396  
D248,347 S \* 7/1978 McCollum ..... D6/552  
D269,622 S \* 7/1983 Hardy ..... D17/22  
D331,442 S \* 12/1992 Bechtel ..... D22/110  
D372,420 S \* 8/1996 Mendez ..... D8/383

D389,050 S \* 1/1998 Li ..... D8/395  
D394,096 S \* 5/1998 Edgar ..... D22/110  
D422,204 S \* 4/2000 Holloway et al. .... D8/396  
D560,481 S \* 1/2008 Dinger ..... D8/395  
D611,333 S \* 3/2010 Sanders ..... D8/394  
D612,895 S \* 3/2010 Stein ..... D21/573  
D621,977 S \* 8/2010 Lusi ..... D26/9  
D636,661 S \* 4/2011 Marmas ..... D8/395  
D657,840 S \* 4/2012 Prieto ..... D22/108  
D658,053 S \* 4/2012 Okun ..... D8/396

\* cited by examiner

*Primary Examiner* — John Windmuller

(74) *Attorney, Agent, or Firm* — Lerner, David, Littenberg,  
Krumholz & Mentlik, LLP

(57) **CLAIM**

The ornamental design for a pipe connection tool, as shown  
and described.

**DESCRIPTION**

FIG. 1 is a front, perspective view of a pipe connection tool in  
accordance with the present invention;  
FIG. 2 is a rear, perspective view of the pipe connection tool  
shown in FIG. 1;  
FIG. 3 is a top, elevational view of the pipe connection tool  
shown in FIG. 1;  
FIG. 4 is a left side, elevational view of the pipe connection  
tool shown in FIG. 1;  
FIG. 5 is a right side, elevational view of the pipe connection  
tool shown in FIG. 1;  
FIG. 6 is a front, elevational view of the pipe connection tool  
shown in FIG. 1;  
FIG. 7 is a rear, elevational view of the pipe connection tool  
shown in FIG. 1; and,  
FIG. 8 is a bottom, elevational view of the pipe connection  
tool shown in FIG. 1.

**1 Claim, 3 Drawing Sheets**

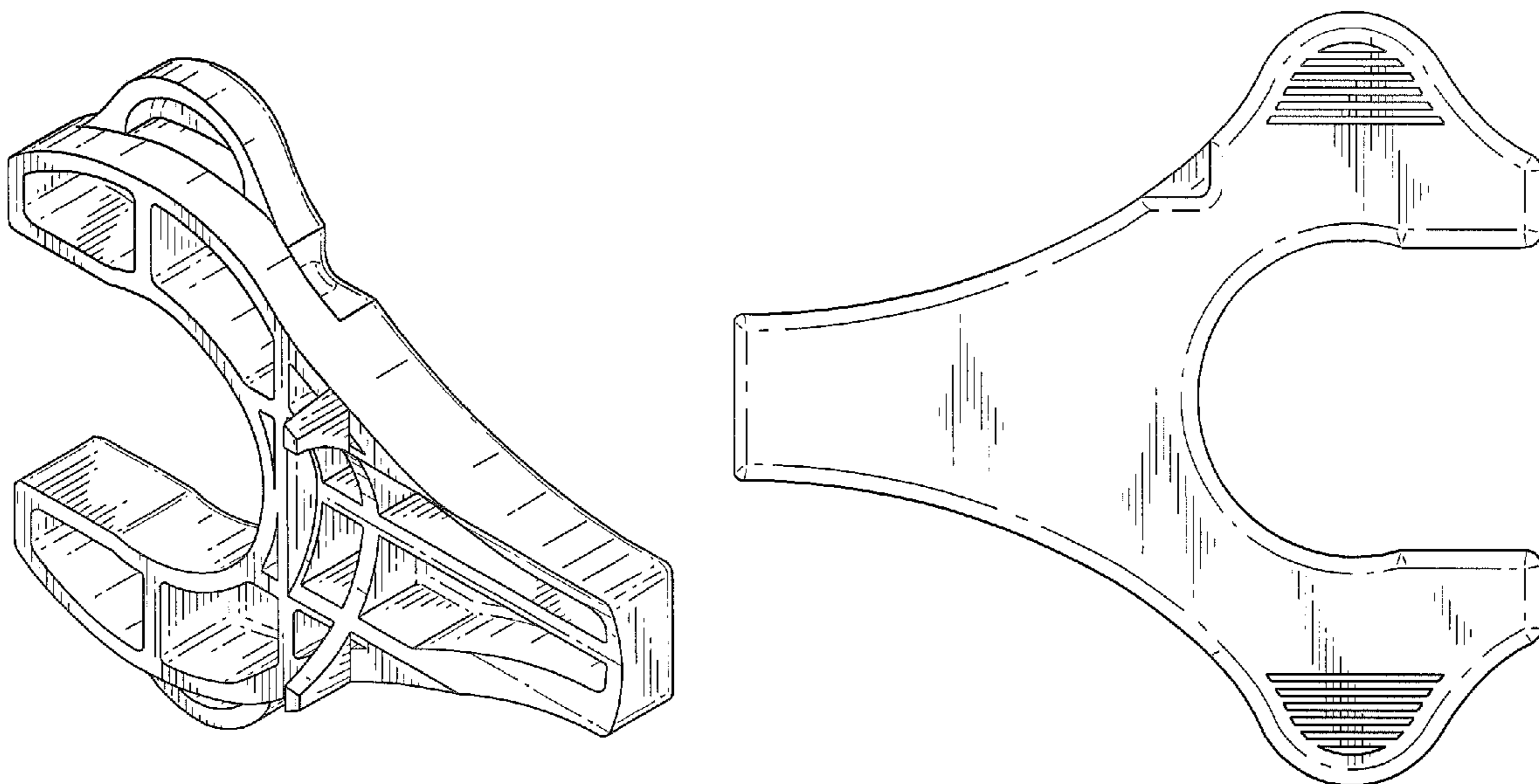


FIG. 1

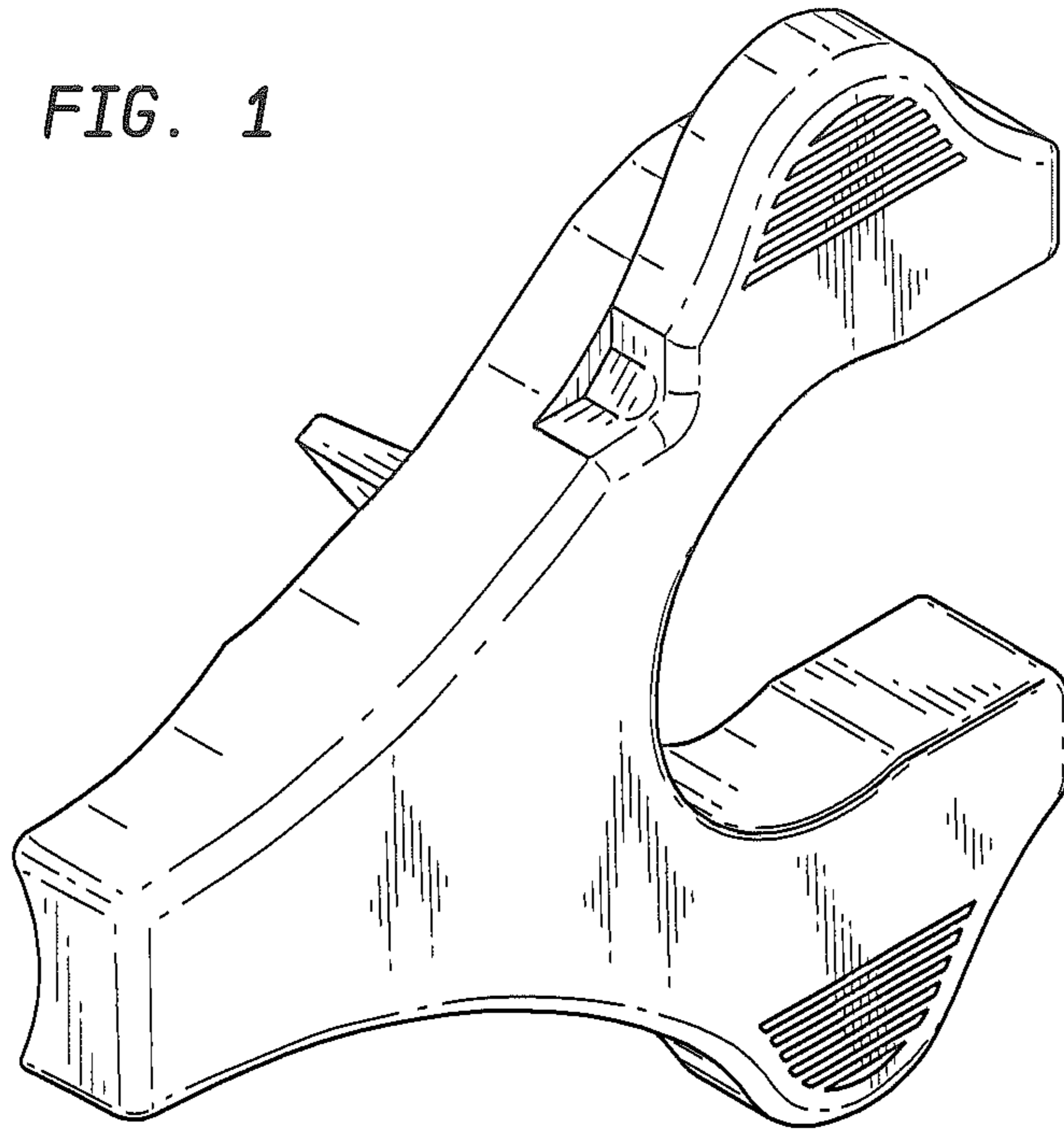


FIG. 2

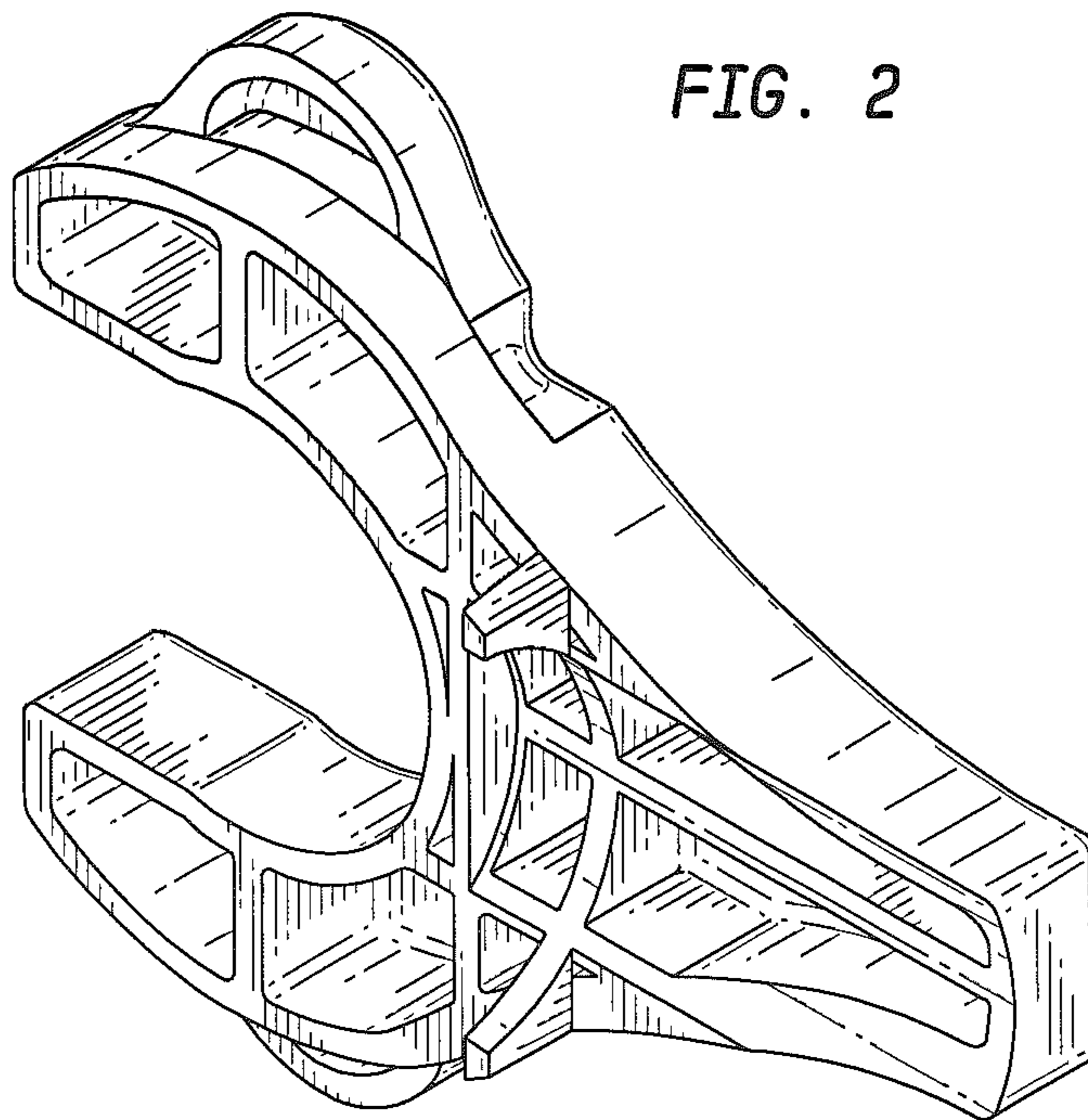


FIG. 3

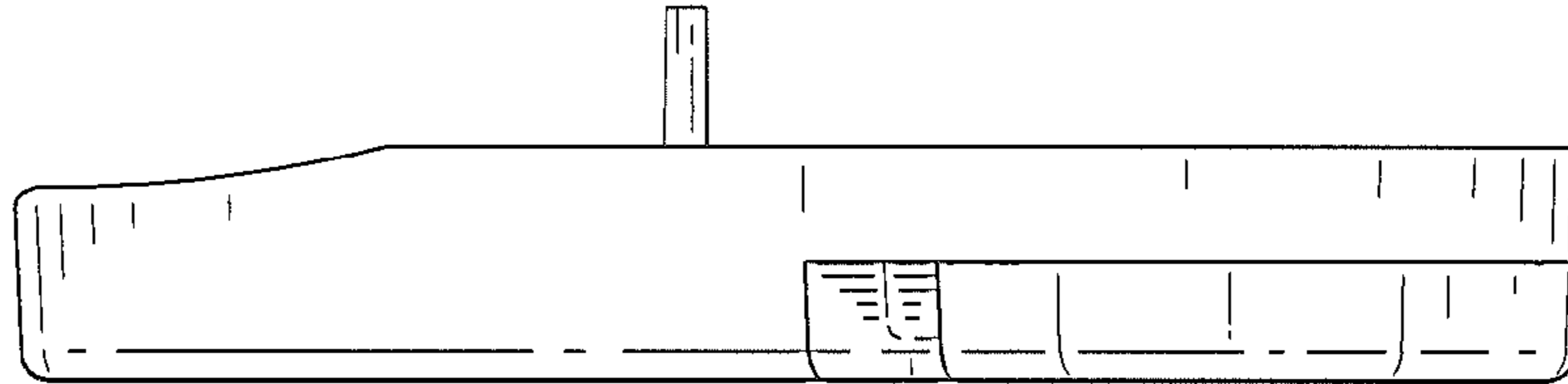


FIG. 4

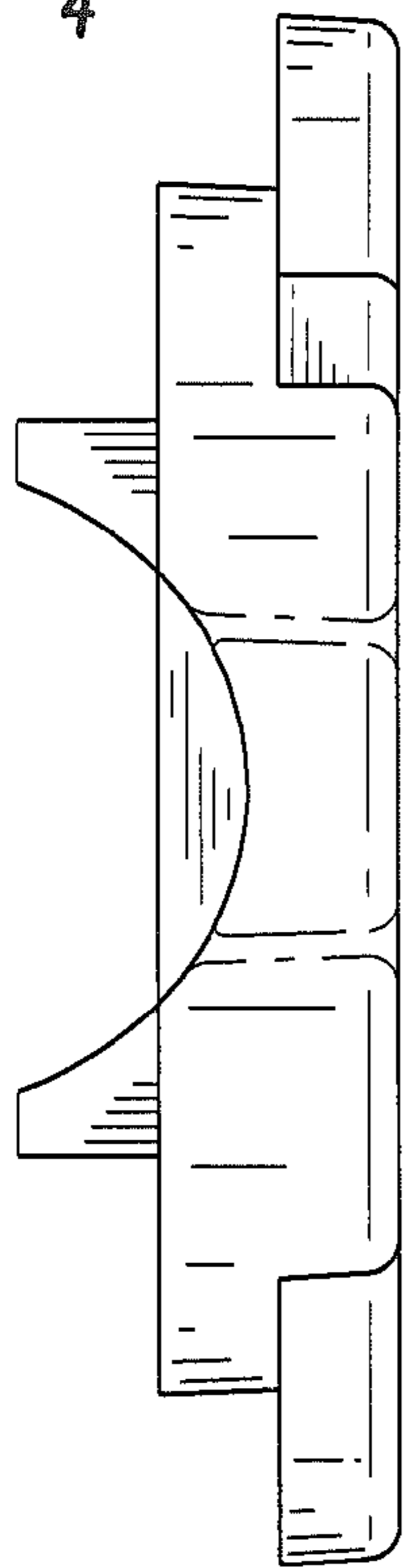


FIG. 5

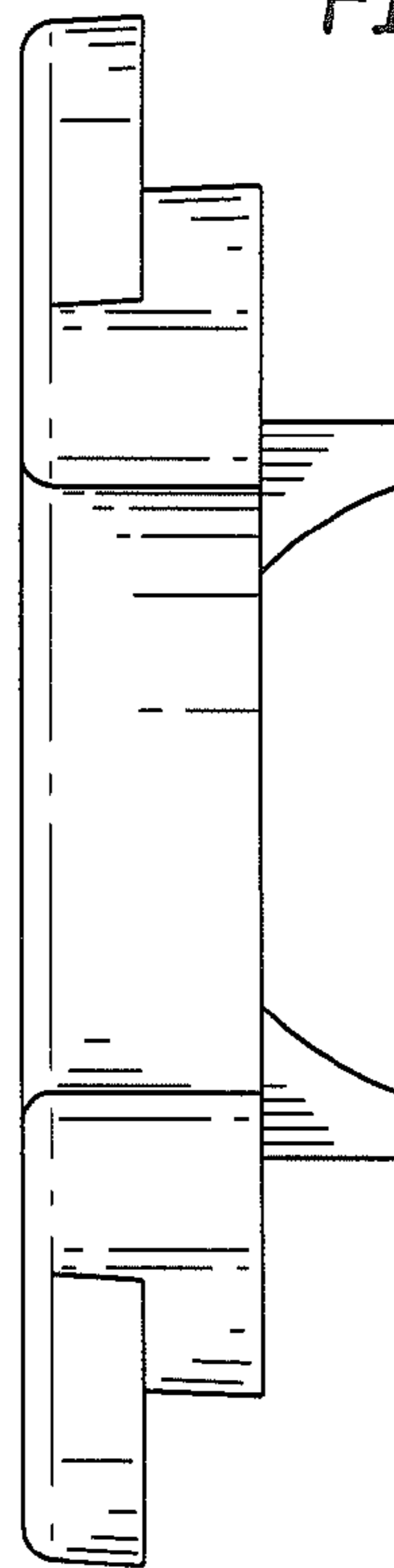


FIG. 8

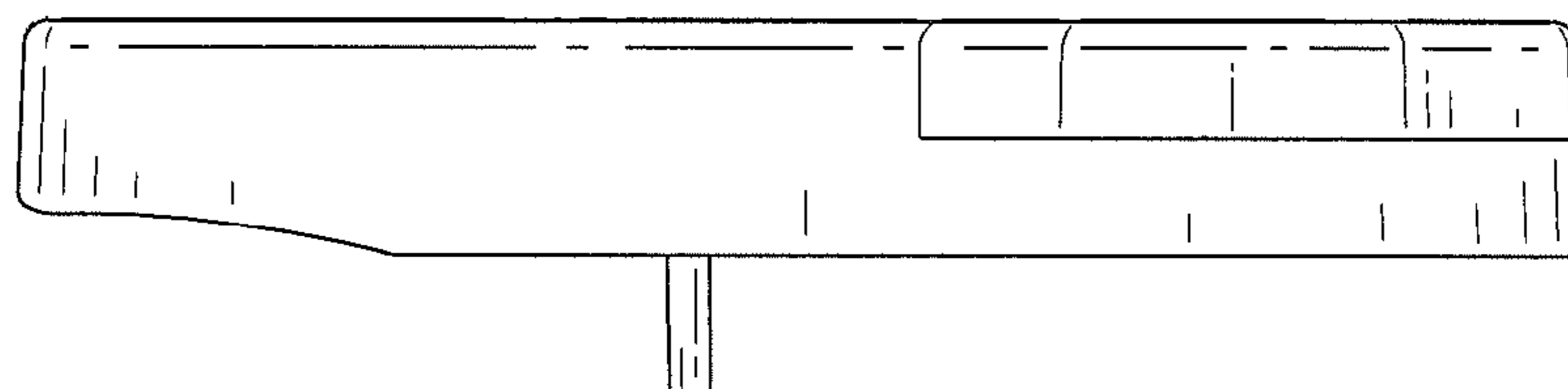


FIG. 6

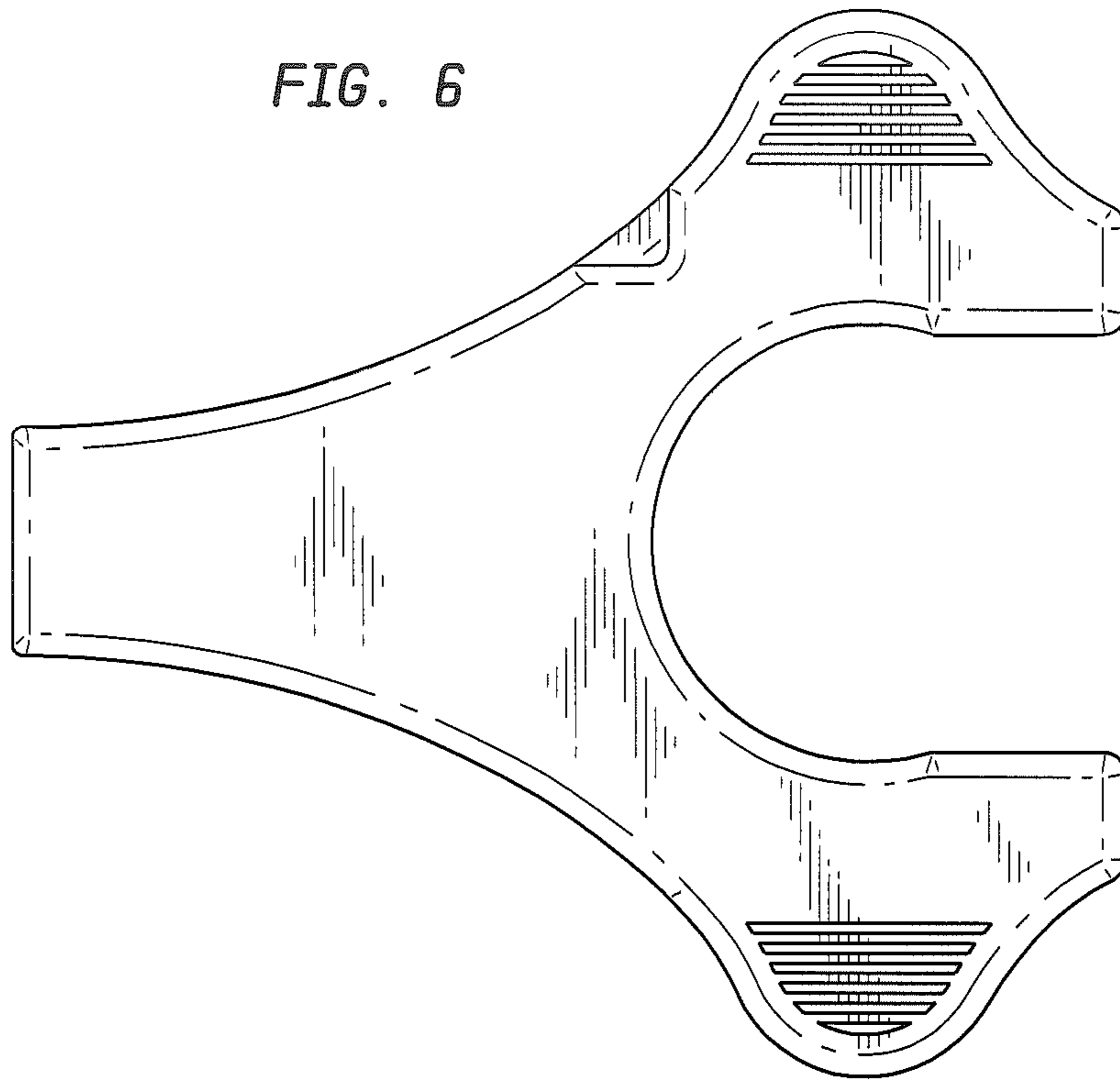


FIG. 7

