



US00D704042S

(12) **United States Design Patent**
Gledhill et al.

(10) **Patent No.:** **US D704,042 S**

(45) **Date of Patent:** **** May 6, 2014**

(54) **PIPE CONNECTION TOOL**

(71) Applicant: **GSA Industries (Aust.) Pty. Ltd.**,
Melbourne (AU)

(72) Inventors: **Jeremy Gledhill**, Moorabbin (AU);
Peter Graham, Evesham Worcester
(GB)

(73) Assignee: **GSA Industries (Aust.) Pty. Ltd.** (AU)

(**) Term: **14 Years**

(21) Appl. No.: **29/465,361**

(22) Filed: **Aug. 27, 2013**

(30) **Foreign Application Priority Data**

Feb. 27, 2013 (AU) 10977/2013

(51) **LOC (10) Cl.** **08-08**

(52) **U.S. Cl.**
USPC **D8/396**

(58) **Field of Classification Search**
USPC D8/354, 356, 371, 394-396; D19/65,
D19/86; D24/128; 248/74.2, 215, 227.1, 49,
248/300, 301, 316.7, 51, 489; 24/570, 3.12;
D32/61; D11/78.1
See application file for complete search history.

(56) **References Cited**

U.S. PATENT DOCUMENTS

3,056,412	A	*	10/1962	Wolfe	131/328
D201,356	S	*	6/1965	Howard	D32/61
D212,505	S	*	10/1968	Guerrero	D8/396
D248,347	S	*	7/1978	McCollum	D6/552
D269,622	S	*	7/1983	Hardy	D17/22
D331,442	S	*	12/1992	Bechtel	D22/110
D372,420	S	*	8/1996	Mendez	D8/383

D389,050	S	*	1/1998	Li	D8/395
D394,096	S	*	5/1998	Edgar	D22/110
D422,204	S	*	4/2000	Holloway et al.	D8/396
D560,481	S	*	1/2008	Dinger	D8/395
D611,333	S	*	3/2010	Sanders	D8/394
D612,895	S	*	3/2010	Stein	D21/573
D621,977	S	*	8/2010	Lusi	D26/9
D636,661	S	*	4/2011	Marmas	D8/395
D657,840	S	*	4/2012	Prieto	D22/108
D658,053	S	*	4/2012	Okun	D8/396

* cited by examiner

Primary Examiner — John Windmuller

(74) *Attorney, Agent, or Firm* — Lerner, David, Littenberg,
Krumholz & Mentlik, LLP

(57) **CLAIM**

The ornamental design for a pipe connection tool, as shown
and described.

DESCRIPTION

FIG. 1 is a front perspective view of a pipe connection tool in accordance with the present invention;
 FIG. 2 is a rear perspective view of the pipe connection tool shown in FIG. 1;
 FIG. 3 is a right side, elevational view of the pipe connection tool shown in FIG. 1;
 FIG. 4 is a top, elevational view of the pipe connection tool shown in FIG. 1;
 FIG. 5 is a front, elevational view of the pipe connection tool shown in FIG. 1;
 FIG. 6 is a rear, elevational view of the pipe connection tool shown in FIG. 1;
 FIG. 7 is a bottom, elevational view of the pipe connection tool shown in FIG. 1; and,
 FIG. 8 is a left side, elevational view of the pipe connection tool shown in FIG. 1.

1 Claim, 3 Drawing Sheets

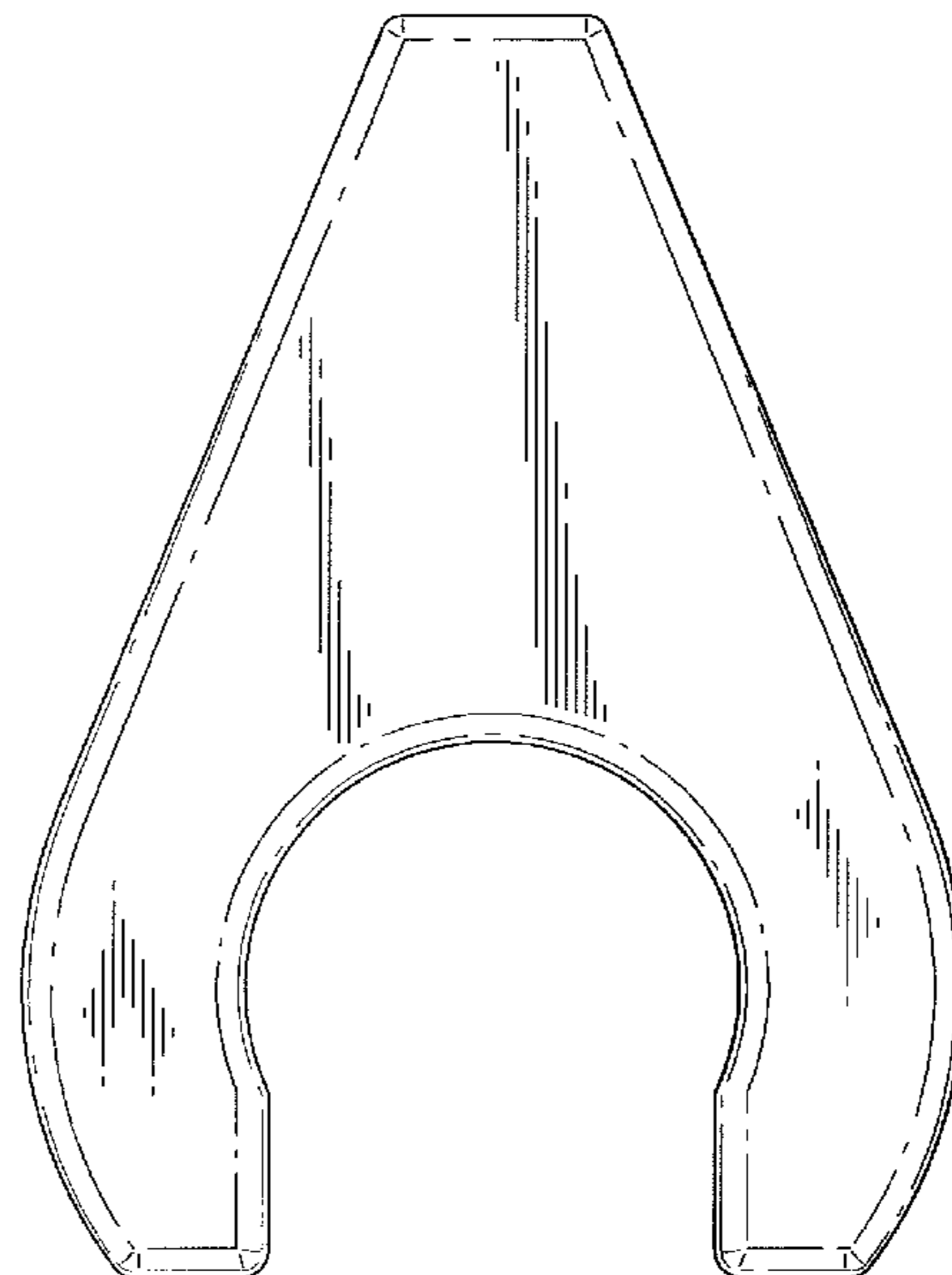
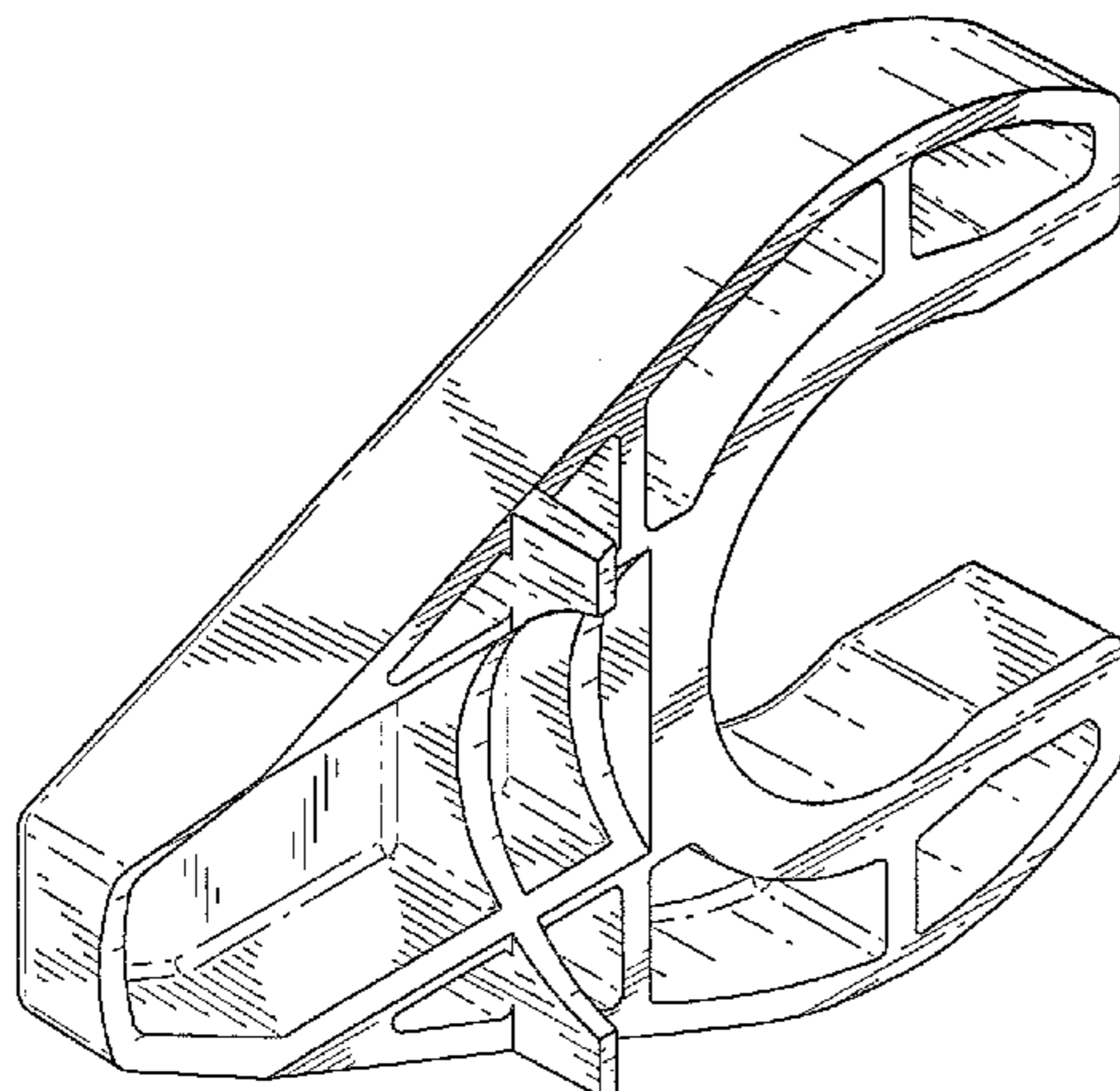


FIG. 1

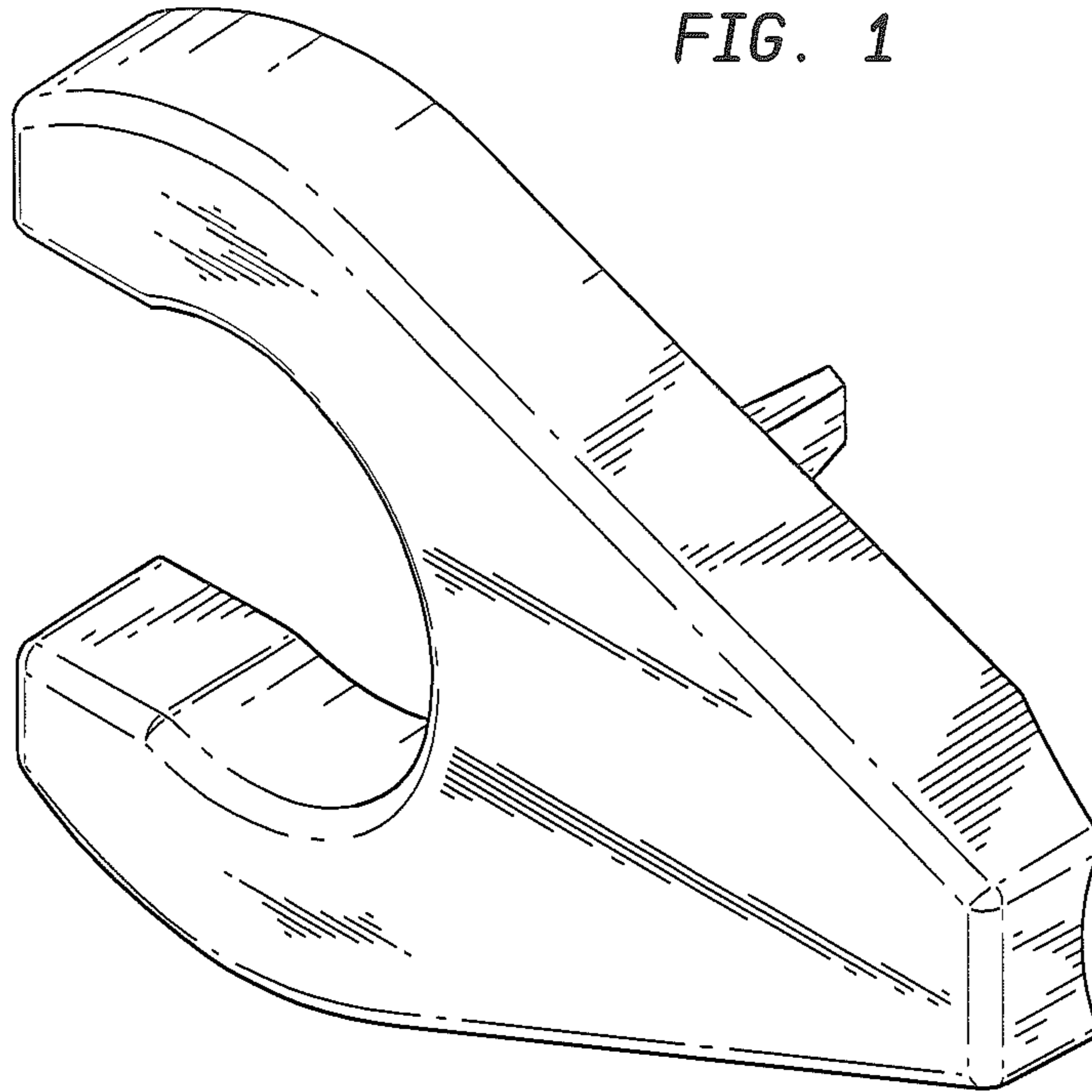


FIG. 2

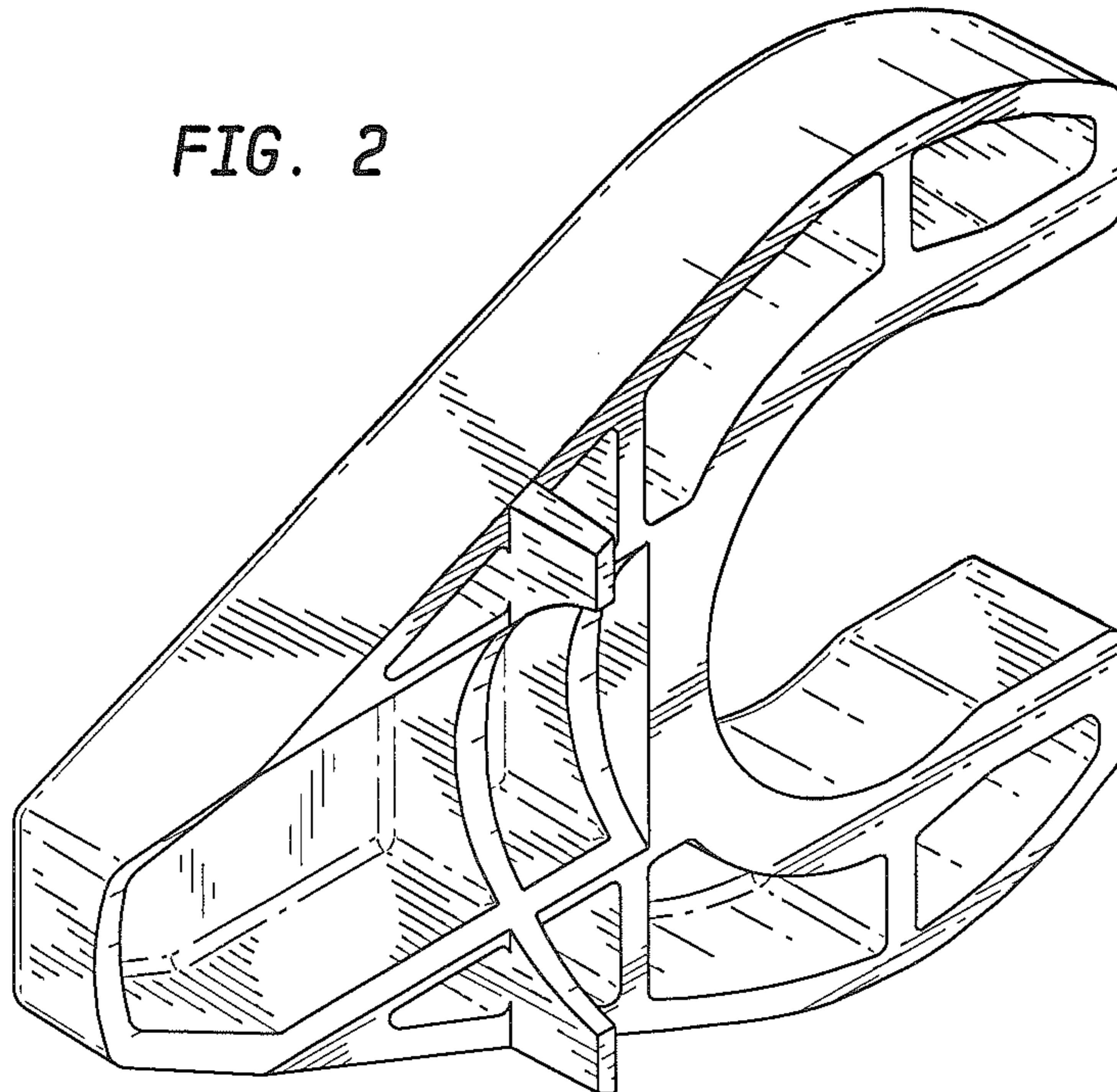


FIG. 3

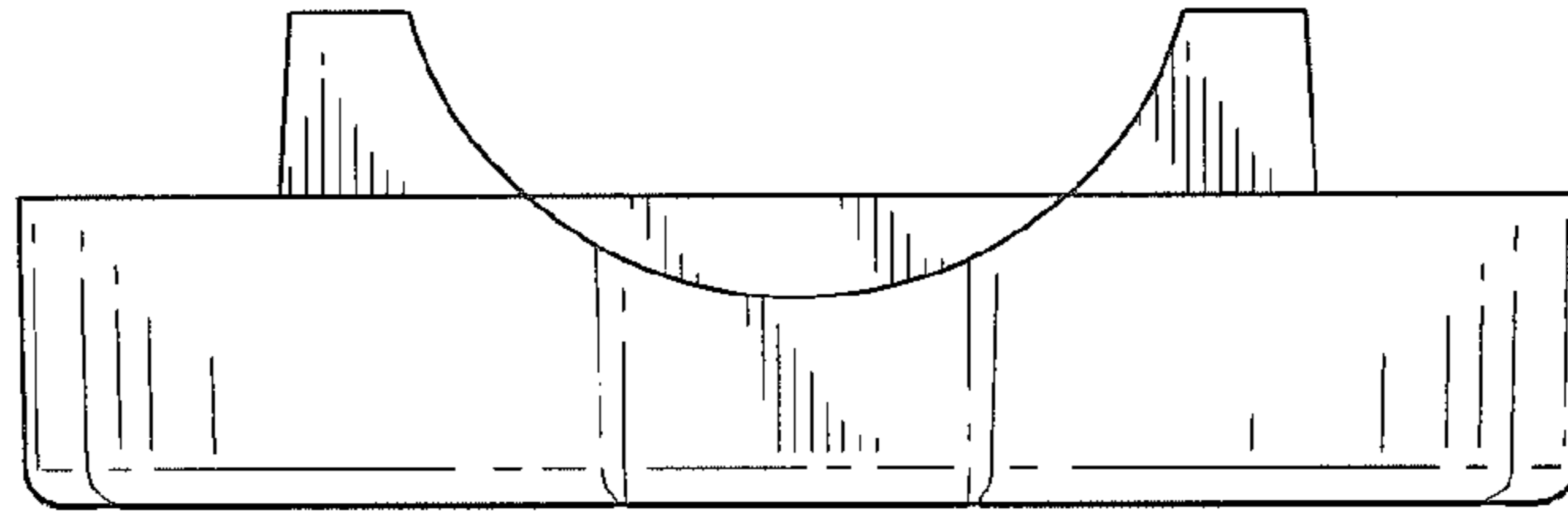


FIG. 4

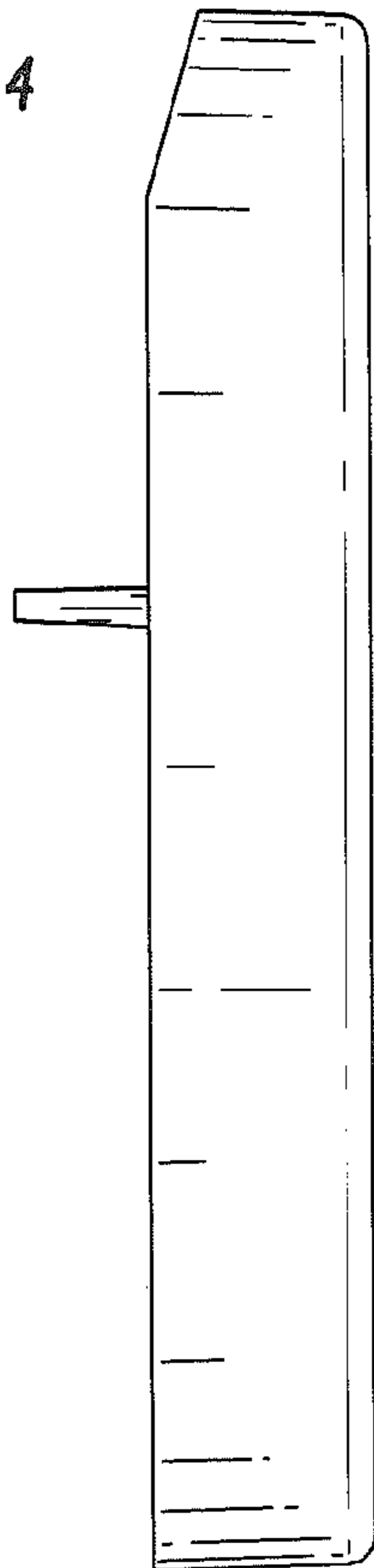


FIG. 7

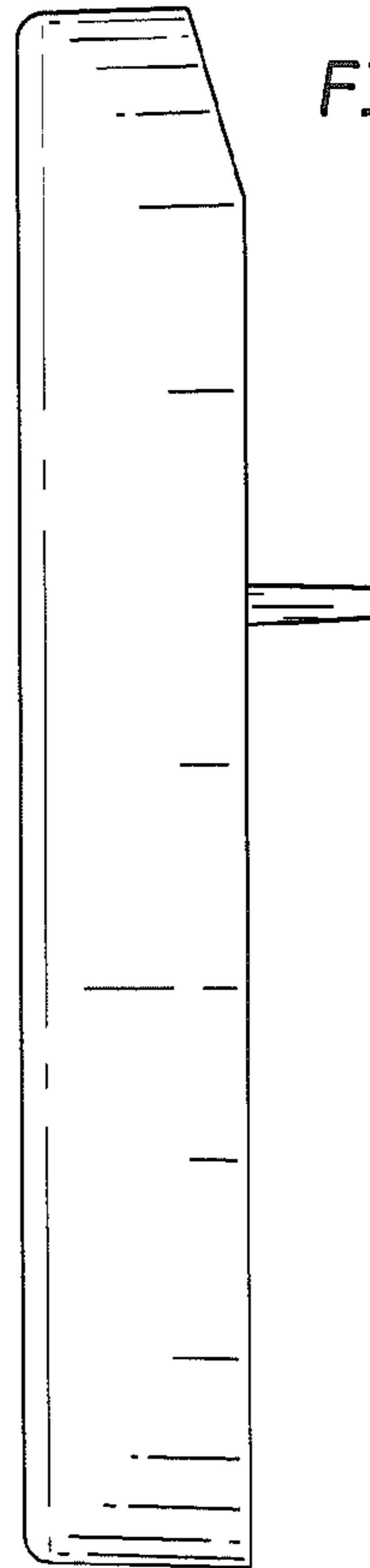


FIG. 8

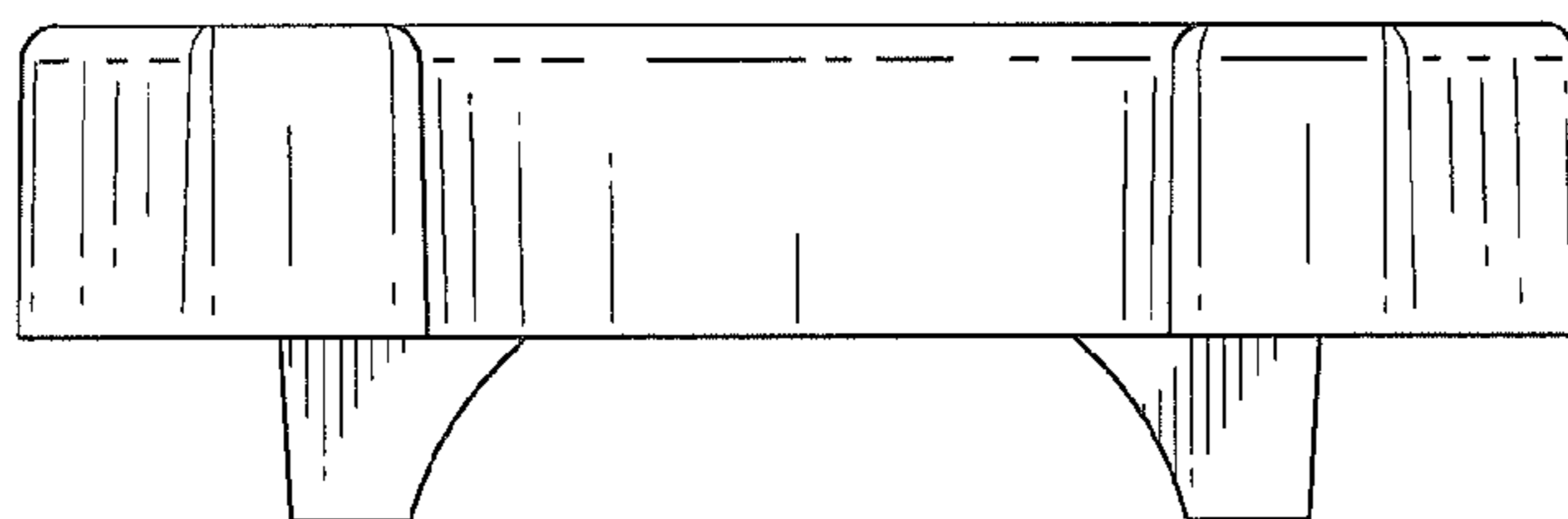


FIG. 6

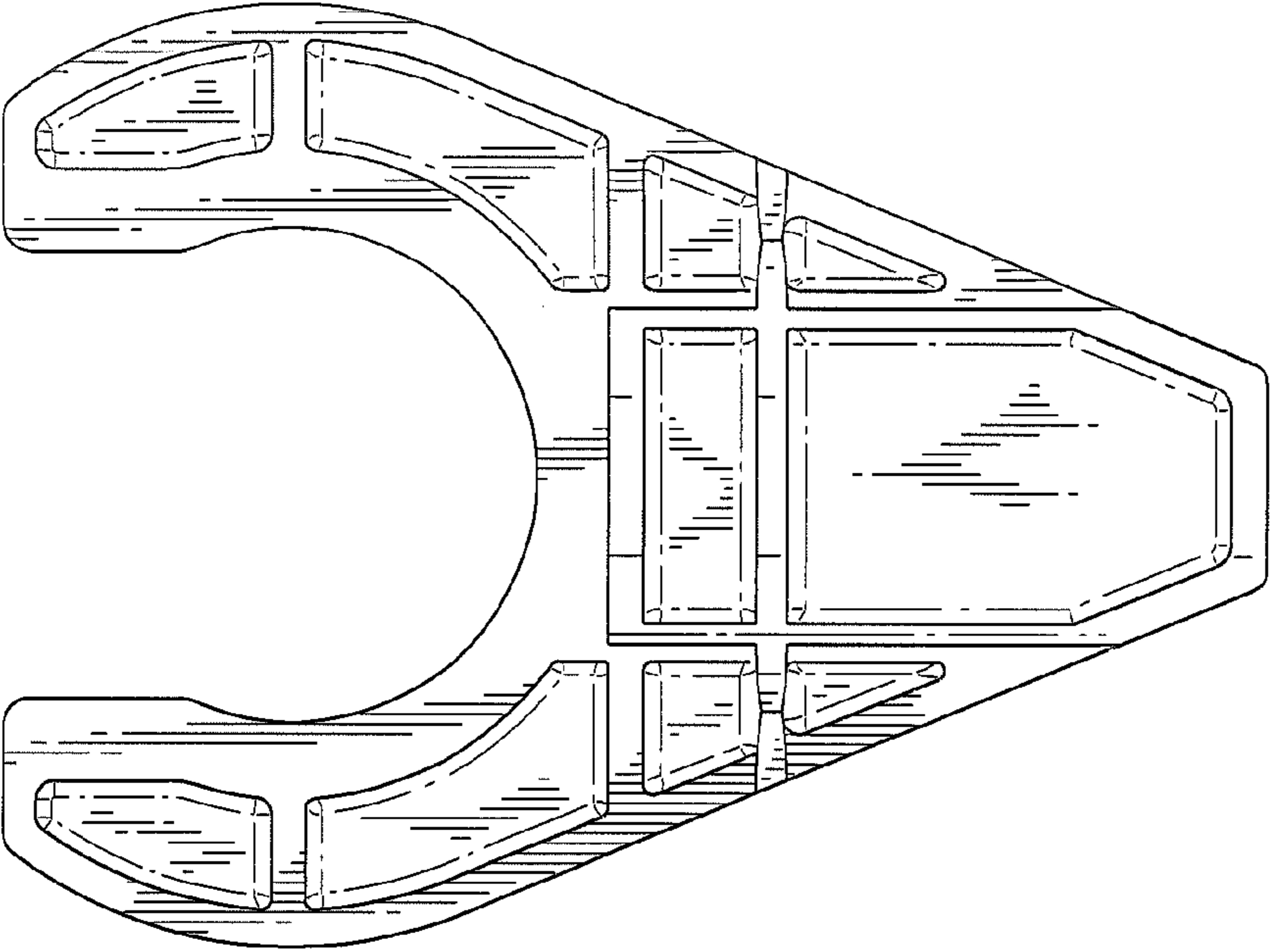


FIG. 5

