



US00D704041S

(12) **United States Design Patent**
Gledhill et al.

(10) **Patent No.:** **US D704,041 S**

(45) **Date of Patent:** **** May 6, 2014**

(54) **PIPE CONNECTION TOOL**

(71) Applicant: **GSA Industries (Aust.) Pty. Ltd.**,
Melbourne (AU)

(72) Inventors: **Jeremy Gledhill**, Moorabbin (AU);
Peter Graham, Evesham (GB)

(73) Assignee: **GSA Industries (Aust.) Pty. Ltd.** (AU)

(**) Term: **14 Years**

(21) Appl. No.: **29/465,358**

(22) Filed: **Aug. 27, 2013**

(30) **Foreign Application Priority Data**

Feb. 27, 2013 (AU) 10978/2013

(51) **LOC (10) Cl.** **08-08**

(52) **U.S. Cl.**
USPC **D8/396**

(58) **Field of Classification Search**
USPC D8/354, 356, 371, 394–396; D19/65,
D19/86; D24/128; 248/74.2, 215, 227.1, 49,
248/300, 301, 316.7, 51, 489; 24/570, 3.12;
D32/61; D11/78.1

See application file for complete search history.

(56) **References Cited**

U.S. PATENT DOCUMENTS

D248,347 S *	7/1978	McCollum	D6/552
D269,622 S *	7/1983	Hardy	D17/22
D294,702 S *	3/1988	Yoder	D14/238
D340,720 S *	10/1993	Yoder	D14/238
D372,420 S *	8/1996	Mendez	D8/383
D377,311 S *	1/1997	Stiegler	D8/396
D389,050 S *	1/1998	Li	D8/395
D390,453 S *	2/1998	Hamerski et al.	D8/396

D412,649 S *	8/1999	Najarian et al.	D8/1
D413,255 S *	8/1999	Alberding et al.	D8/396
D417,390 S *	12/1999	Hofman	D8/395
D566,511 S *	4/2008	Seehoff et al.	D8/98
D597,828 S *	8/2009	Tanaka et al.	D8/396
D620,346 S *	7/2010	Gretz	D8/396
D621,977 S *	8/2010	Lusi	D26/9
D636,661 S *	4/2011	Marmas	D8/395
D647,787 S *	11/2011	Duval	D8/394
D679,581 S *	4/2013	Liu et al.	D8/395

* cited by examiner

Primary Examiner — John Windmuller

(74) *Attorney, Agent, or Firm* — Lerner, David, Littenberg,
Krumholz & Mentlik, LLP

(57) **CLAIM**

The ornamental design for a pipe connection tool, as shown and described.

DESCRIPTION

FIG. 1 is a front perspective view of a pipe connection tool in accordance with the present invention;
 FIG. 2 is a rear perspective view of the pipe connection tool shown in FIG. 1;
 FIG. 3 is a right side, elevational view of the pipe connection tool shown in FIG. 1;
 FIG. 4 is a top, elevational view of the pipe connection tool shown in FIG. 1;
 FIG. 5 is a front, elevational view of the pipe connection tool shown in FIG. 1;
 FIG. 6 is a rear, elevational view of the pipe connection tool shown in FIG. 1;
 FIG. 7 is a bottom, elevational view of the pipe connection tool shown in FIG. 1; and,
 FIG. 8 is a left side, elevational view of the pipe connection tool shown in FIG. 1.

1 Claim, 3 Drawing Sheets

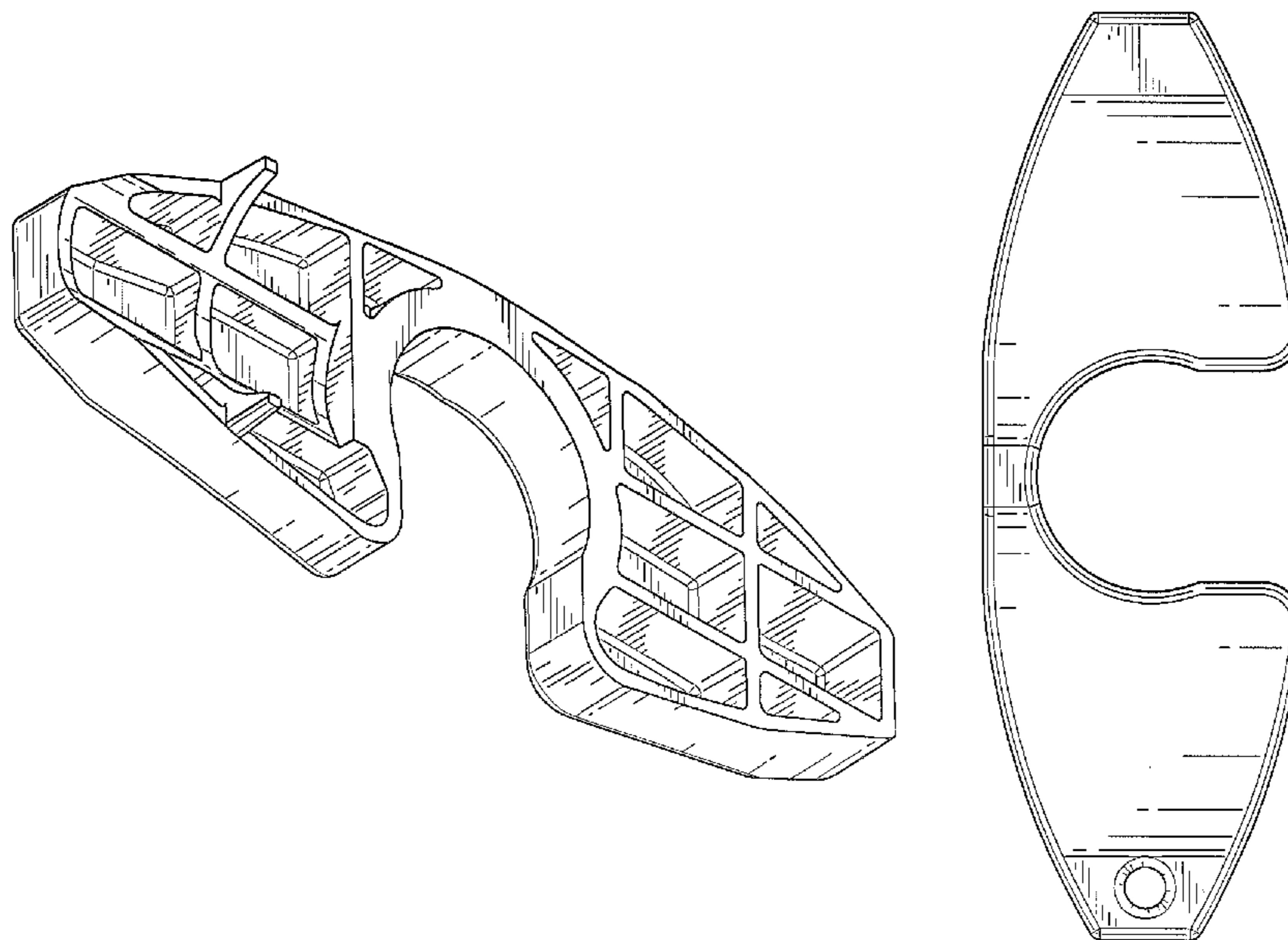


FIG. 1

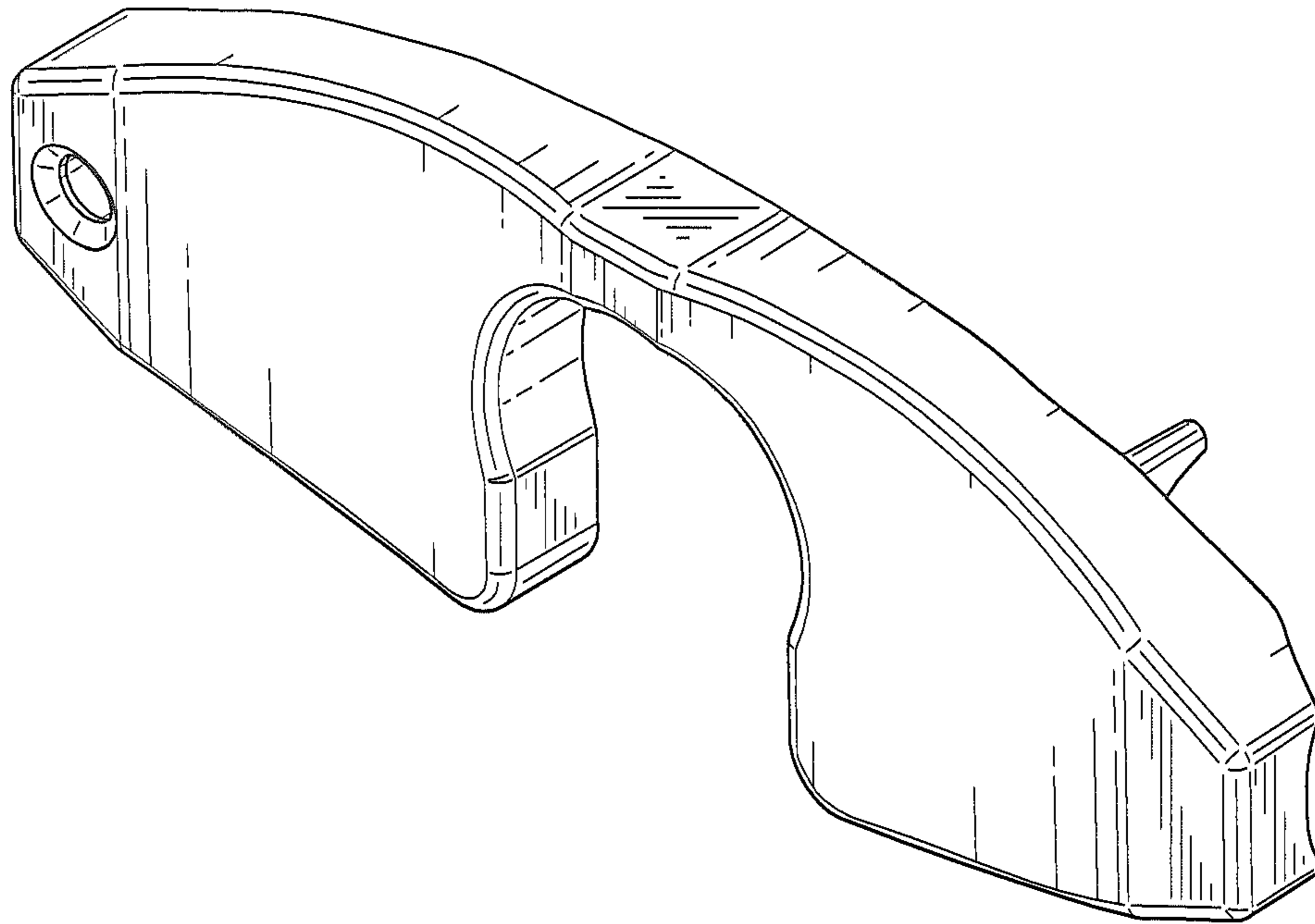


FIG. 2

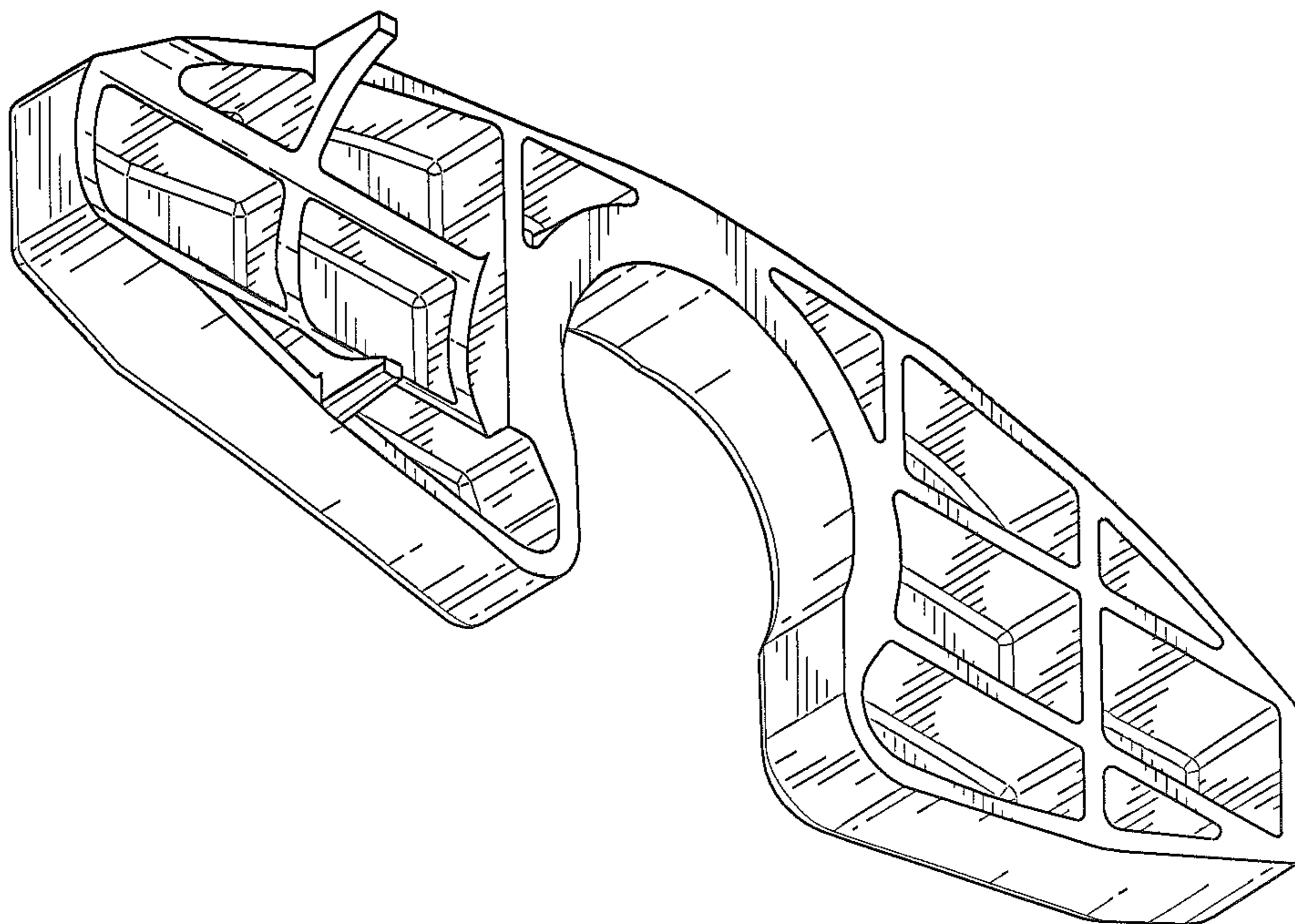


FIG. 3

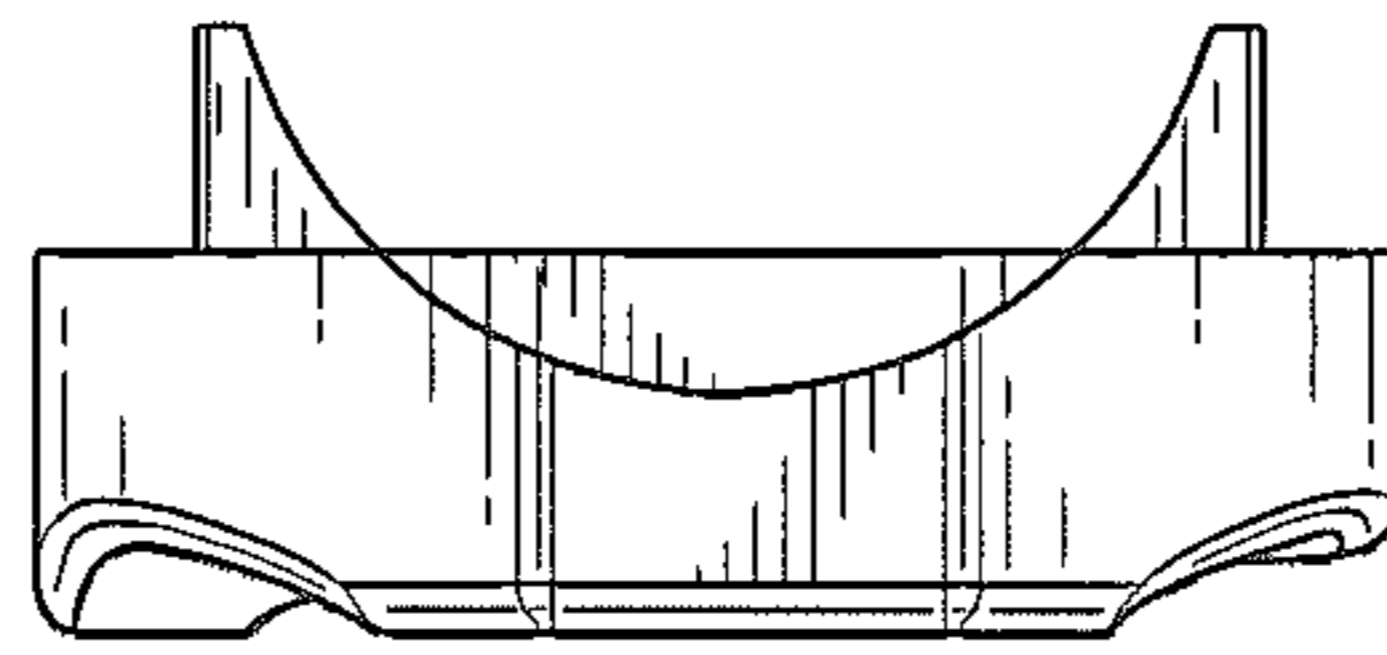


FIG. 4

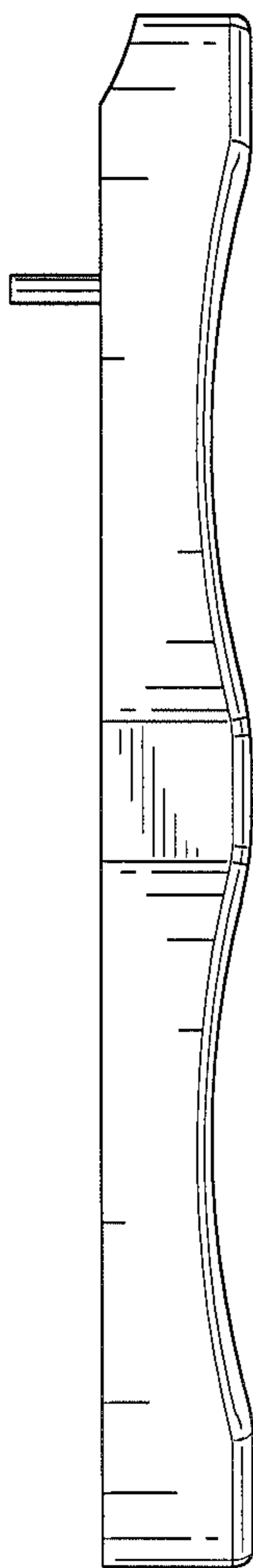


FIG. 5

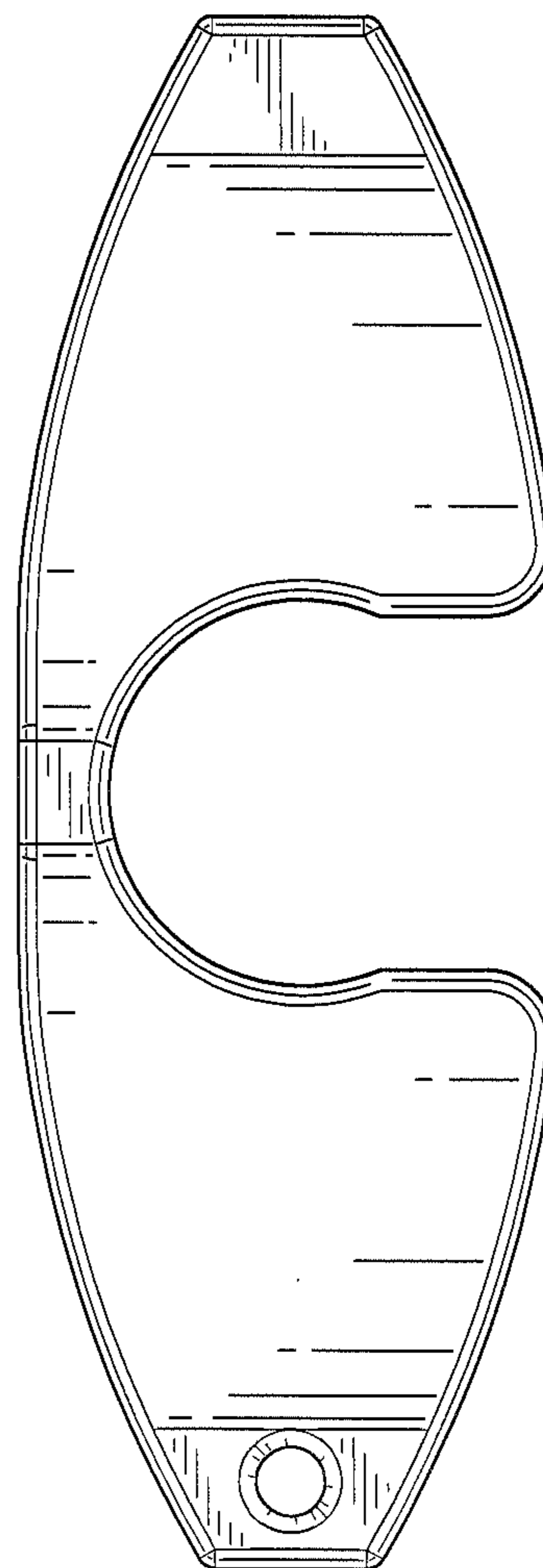


FIG. 6

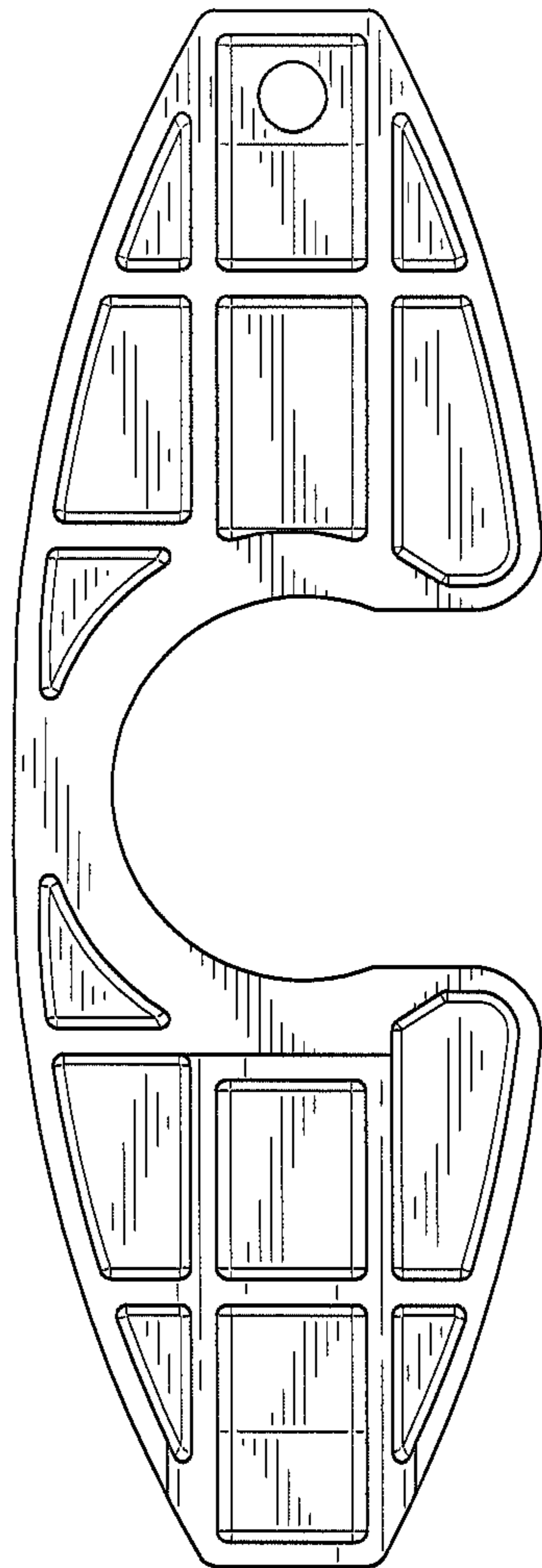


FIG. 7

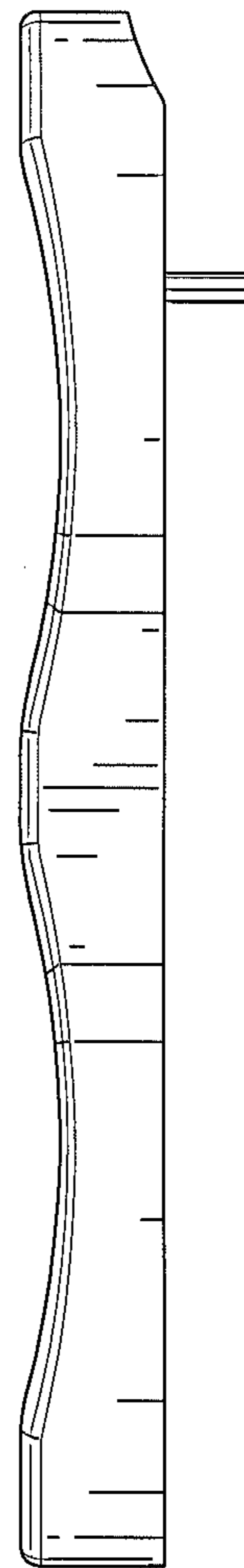


FIG. 8

