



US00D704040S

(12) **United States Design Patent**
Kosaku

(10) **Patent No.:** **US D704,040 S**

(45) **Date of Patent:** **** May 6, 2014**

(54) **ADAPTER FOR AFFIXING A MAGNETIC SENSOR**

(75) Inventor: **Hideki Kosaku**, Nasushiobara (JP)

(73) Assignees: **Kabushiki Kaisha Toshiba**, Minato-Ku, Tokyo (JP); **Toshiba Medical Systems Corporation**, Otawara-Shi, Tochigi-Ken (JP)

(**) Term: **14 Years**

(21) Appl. No.: **29/430,723**

(22) Filed: **Aug. 29, 2012**

(30) **Foreign Application Priority Data**

Feb. 29, 2012 (JP) 2012-004452

(51) **LOC (10) Cl.** **08-08**

(52) **U.S. Cl.**
USPC **D8/394**

(58) **Field of Classification Search**
USPC D8/354, 356, 371, 394-396; D19/65, D19/86; D24/128; 248/74.2, 215, 227.1, 49, 248/300, 301, 316.7, 51, 489; 24/570, 3.12; D32/61; D11/78.1; 600/447; 367/140
See application file for complete search history.

(56) **References Cited**

U.S. PATENT DOCUMENTS

D564,076	S	*	3/2008	Brockington et al.	D23/262
D599,667	S	*	9/2009	Gedmin	D9/516
D643,415	S	*	8/2011	Vasquez	D14/223
D652,511	S	*	1/2012	Lombardi et al.	D24/129
D655,411	S	*	3/2012	Schroeder et al.	D24/129
2004/0078879	A1	*	4/2004	Zach et al.	4/227.3
2007/0186618	A1	*	8/2007	Ackerman	73/1.06
2007/0251962	A1	*	11/2007	Pikielny	224/193
2007/0270778	A9	*	11/2007	Zinger et al.	604/523

(Continued)

FOREIGN PATENT DOCUMENTS

JP	1267593	4/2006
JP	1299868	5/2007
JP	1426365	10/2011

Primary Examiner — John Windmuller

(74) *Attorney, Agent, or Firm* — Banner & Witcoff, Ltd

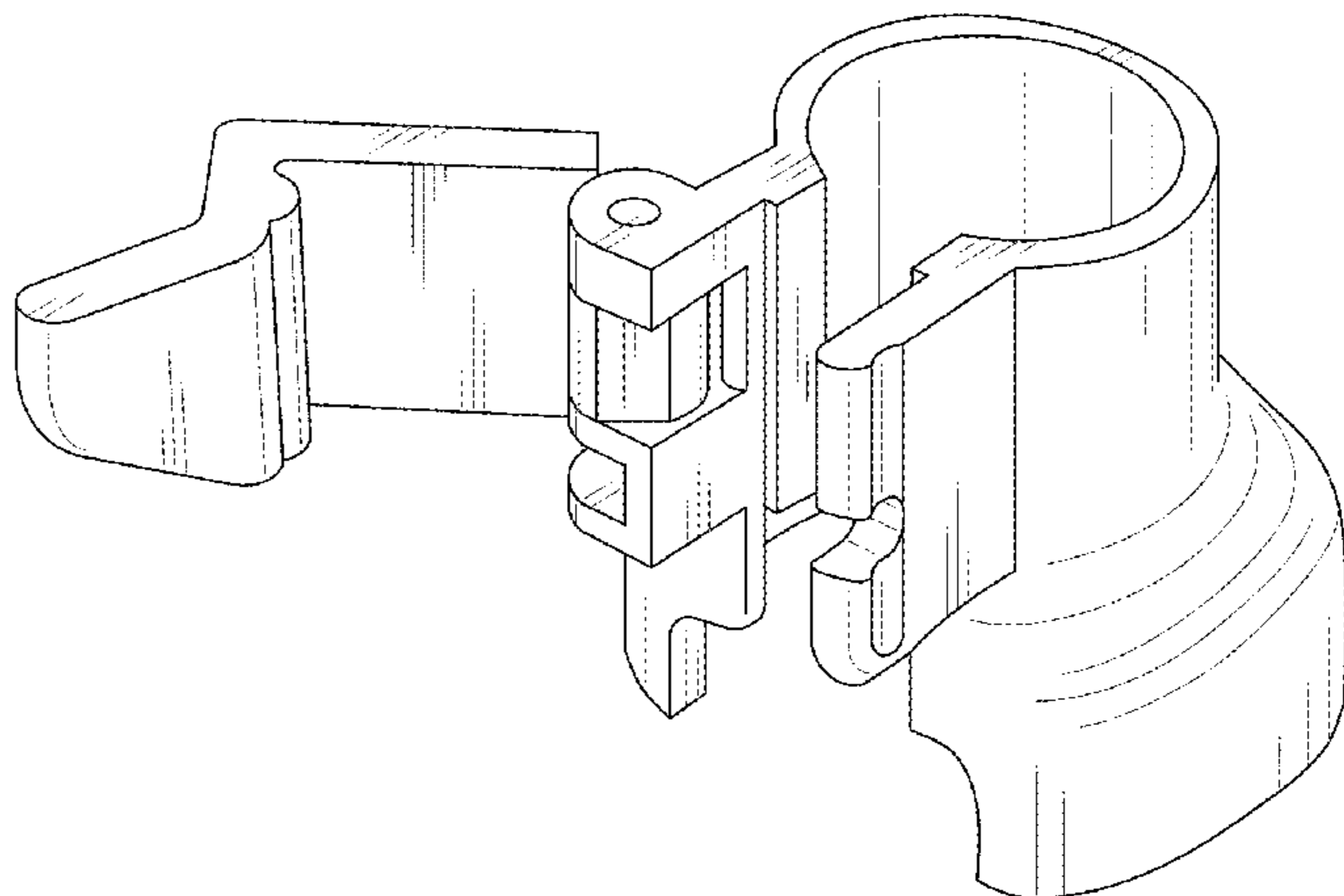
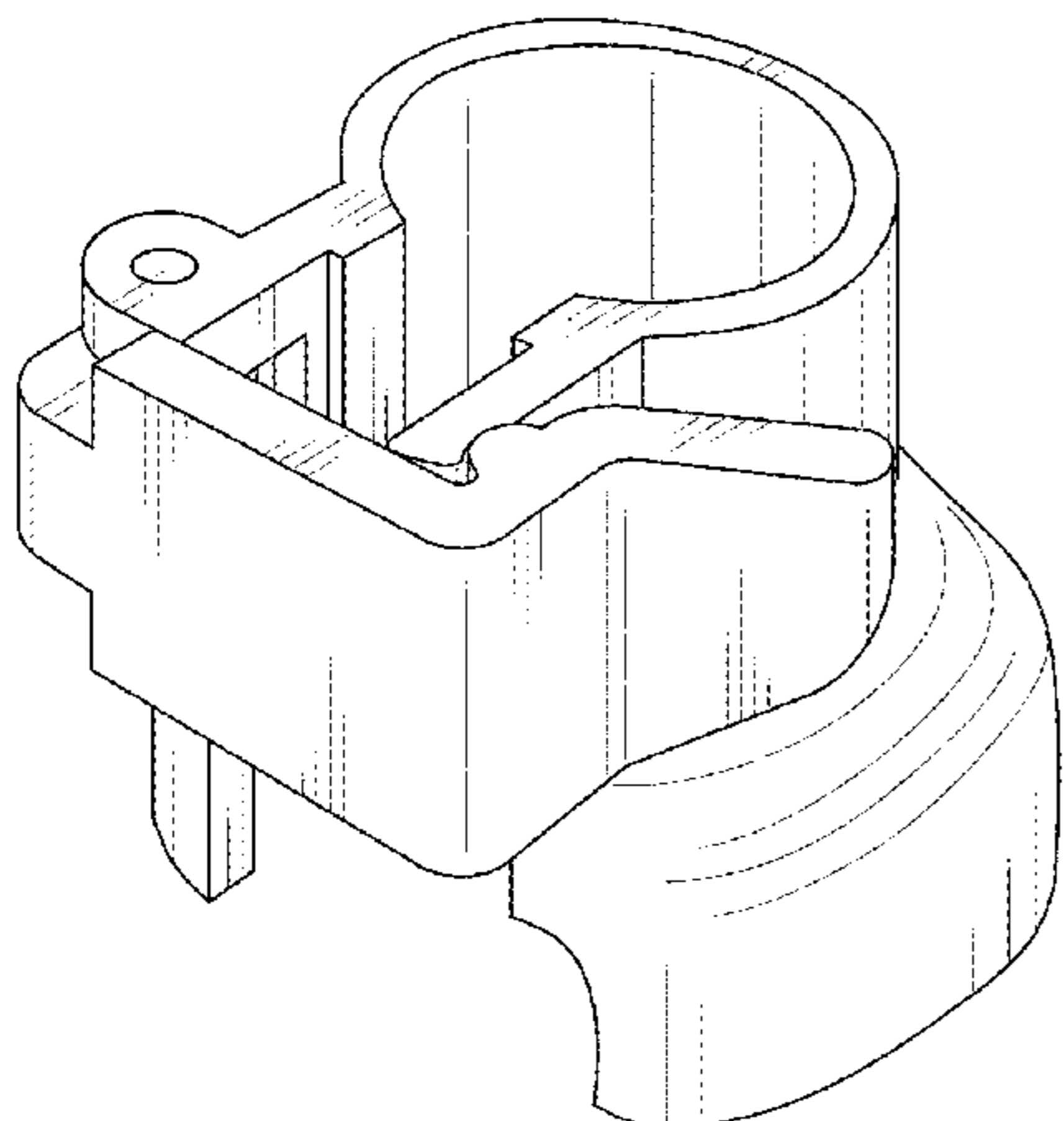
(57) **CLAIM**

The ornamental design for an adapter for affixing a magnetic sensor, as shown and described.

DESCRIPTION

FIG. 1 is a top perspective view of an adapter for affixing a magnetic sensor, showing my new design;
 FIG. 2 is a bottom perspective view thereof;
 FIG. 3 is a front elevational view thereof;
 FIG. 4 is a left side elevational view thereof;
 FIG. 5 is a right side elevational view thereof;
 FIG. 6 is a top plan view thereof;
 FIG. 7 is a rear elevational view thereof;
 FIG. 8 is a bottom plan view thereof;
 FIG. 9 is a perspective view thereof with a lock opened;
 FIG. 10 is a front elevational view thereof with a lock opened;
 FIG. 11 is a left side elevational view thereof with a lock opened;
 FIG. 12 is a top plan view thereof with a lock opened;
 FIG. 13 is an enlarged cross-sectional view thereof, taken along the line 13-13 in FIG. 6;
 FIG. 14 is an enlarged cross-sectional view thereof, taken along the line 14-14 in FIG. 3; and,
 FIG. 15 is an enlarged cross-sectional view thereof, taken along the line 15-15 in FIG. 3.
 The broken lines showing in FIGS. 13, 14 and 15 of the thickness and interior surface of the adapter for affixing a magnetic sensor are for environmental purposes only and form no part of the claimed design.

1 Claim, 10 Drawing Sheets



(56)

References Cited

U.S. PATENT DOCUMENTS

2008/0048050	A1 *	2/2008	Mazooji et al.	239/222.11				
2008/0093327	A1 *	4/2008	Stolle	215/235				
2010/0001516	A1 *	1/2010	Pisula et al.	285/311				
2011/0266367	A1 *	11/2011	Schaeffer et al.	239/302				
2012/0260487	A1 *	10/2012	Nichols	29/456				
2012/0289861	A1 *	11/2012	Stephens et al.	600/566				

* cited by examiner

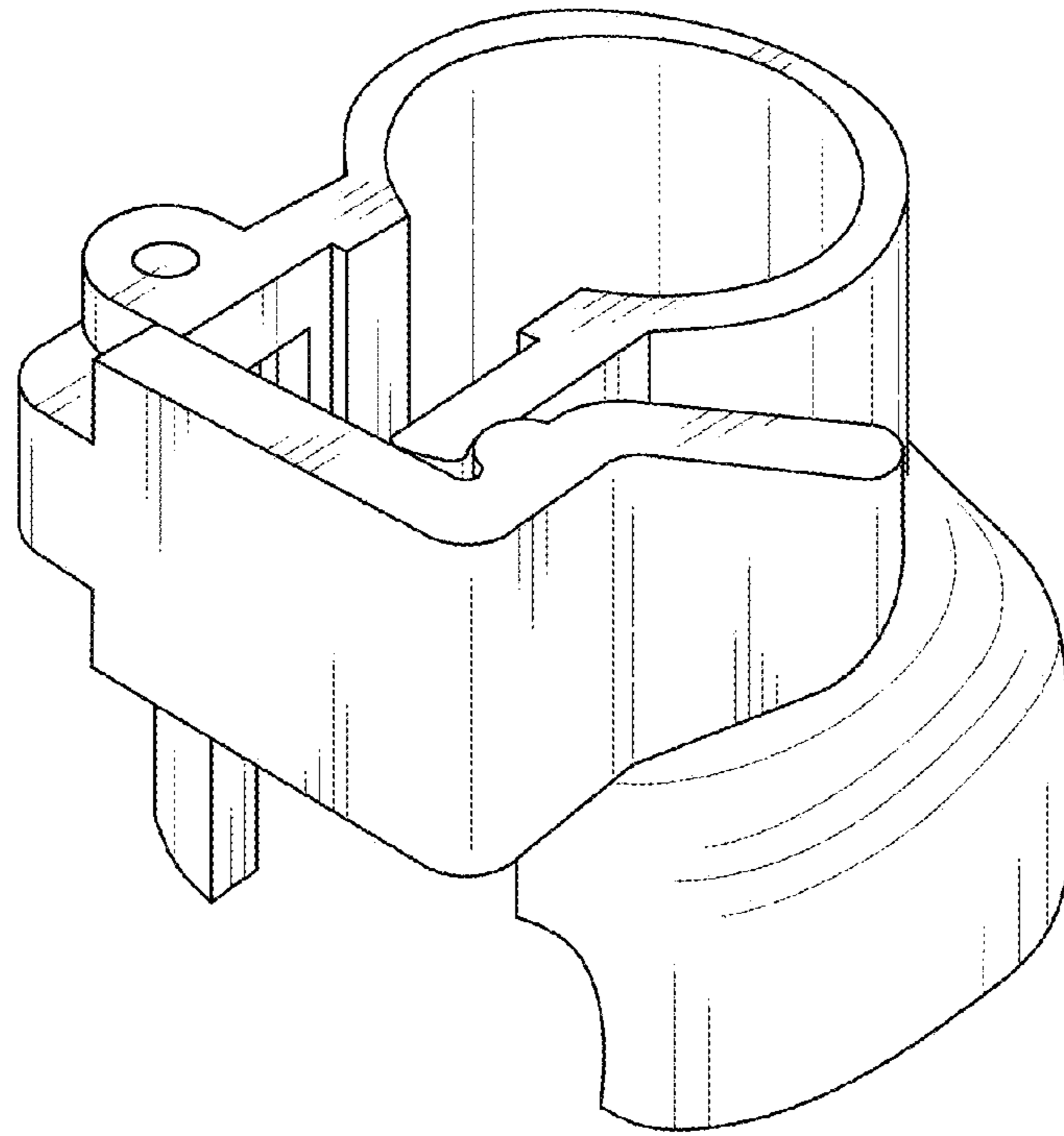


FIG. 1

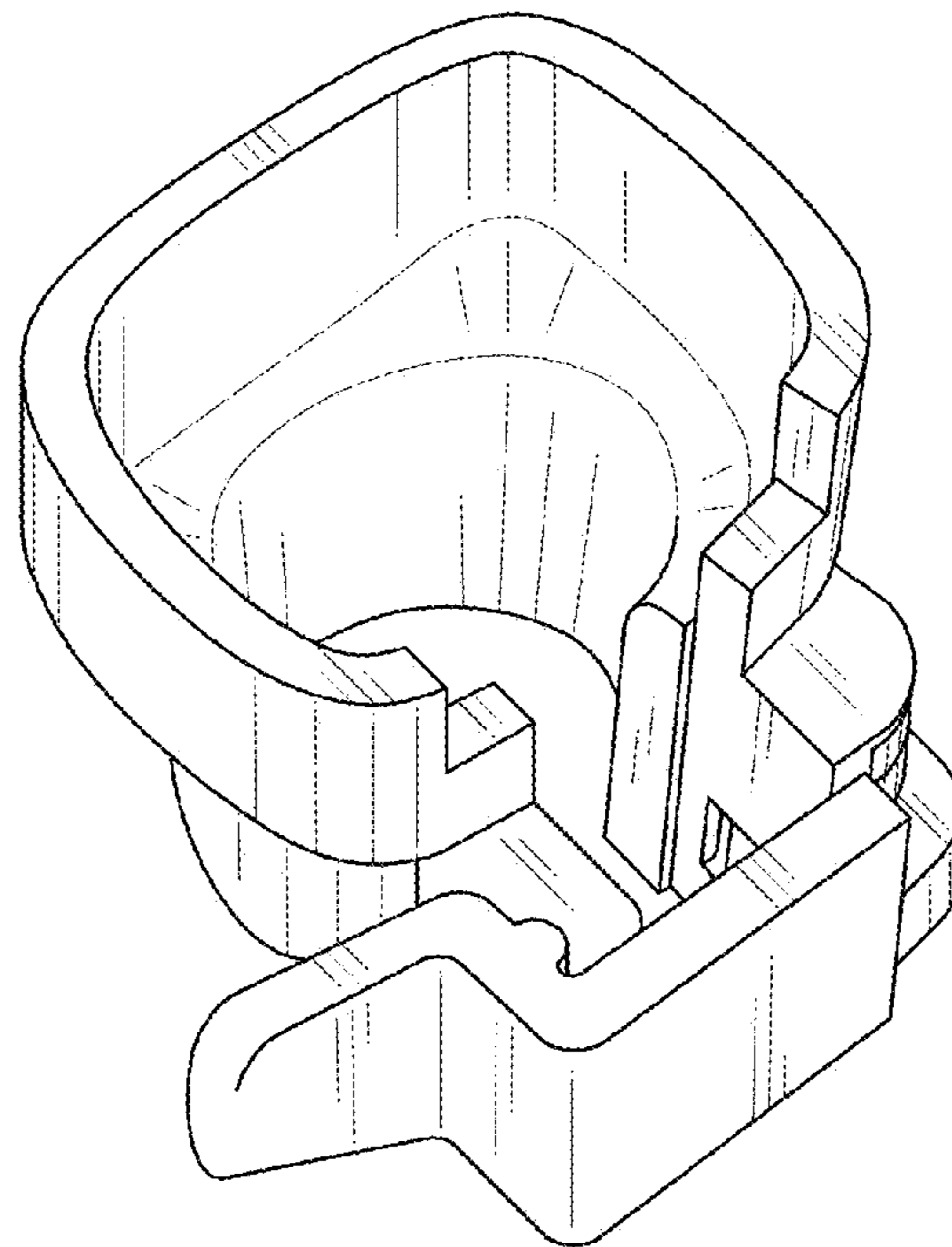


FIG. 2

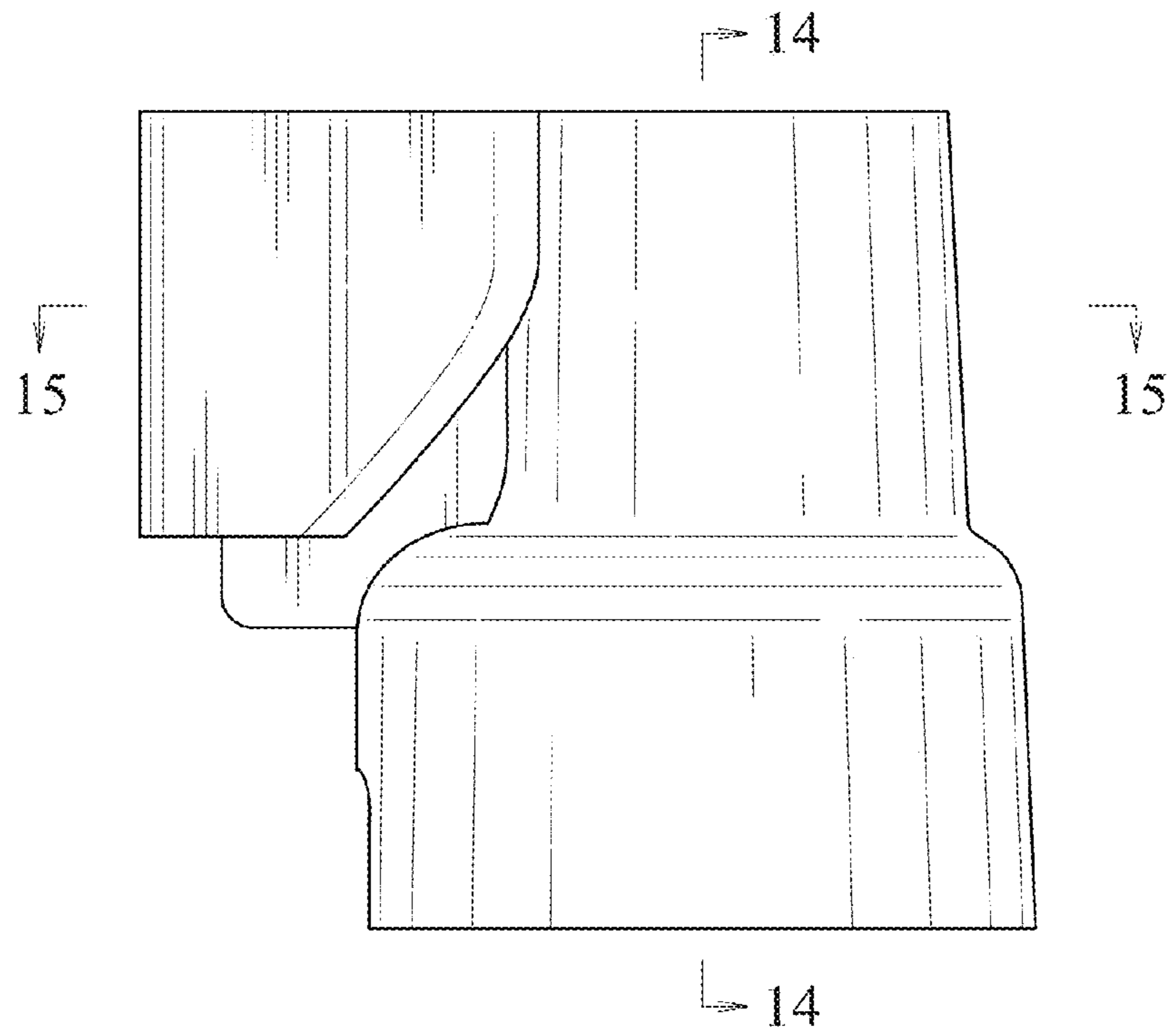


FIG. 3

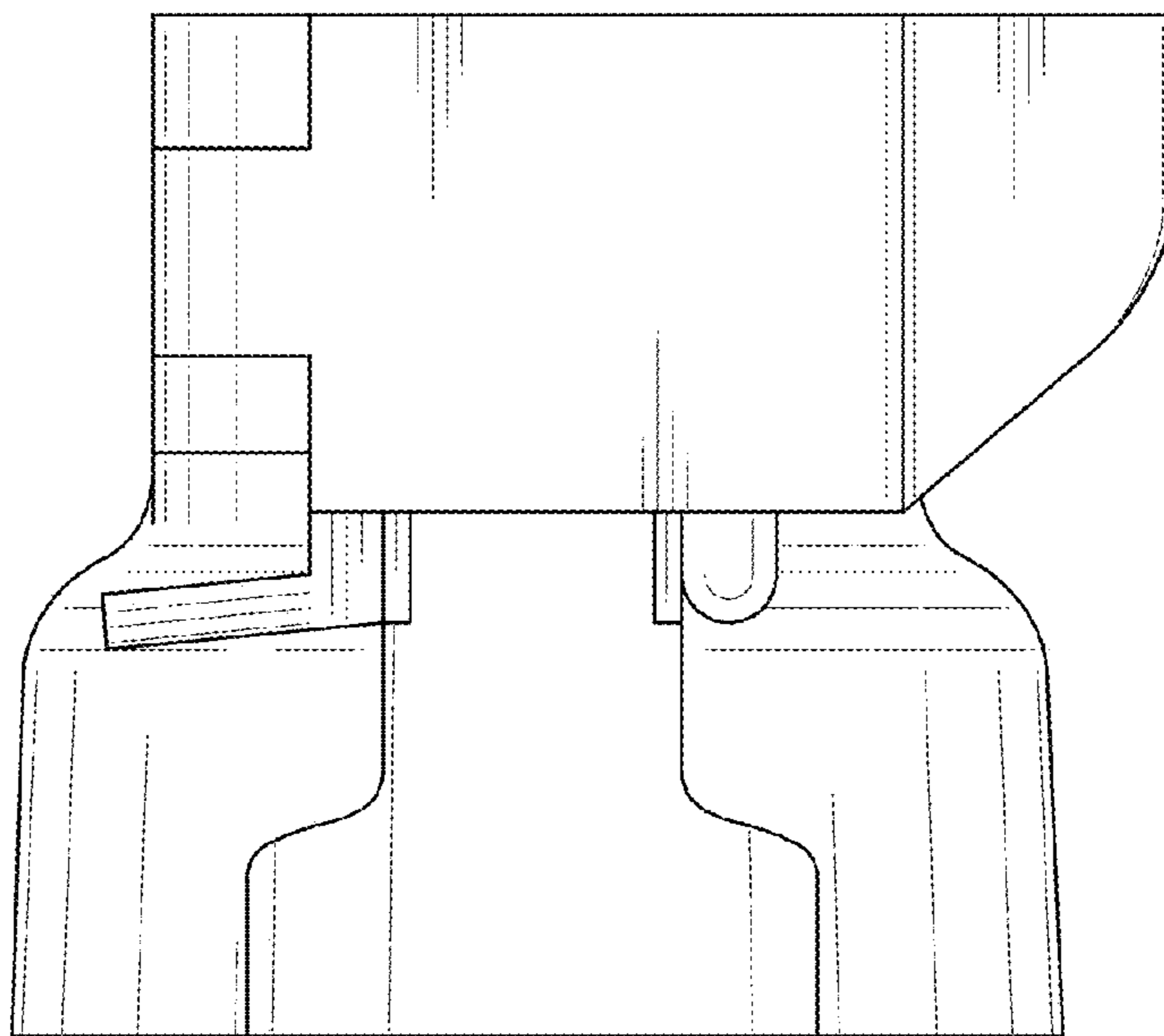


FIG. 4

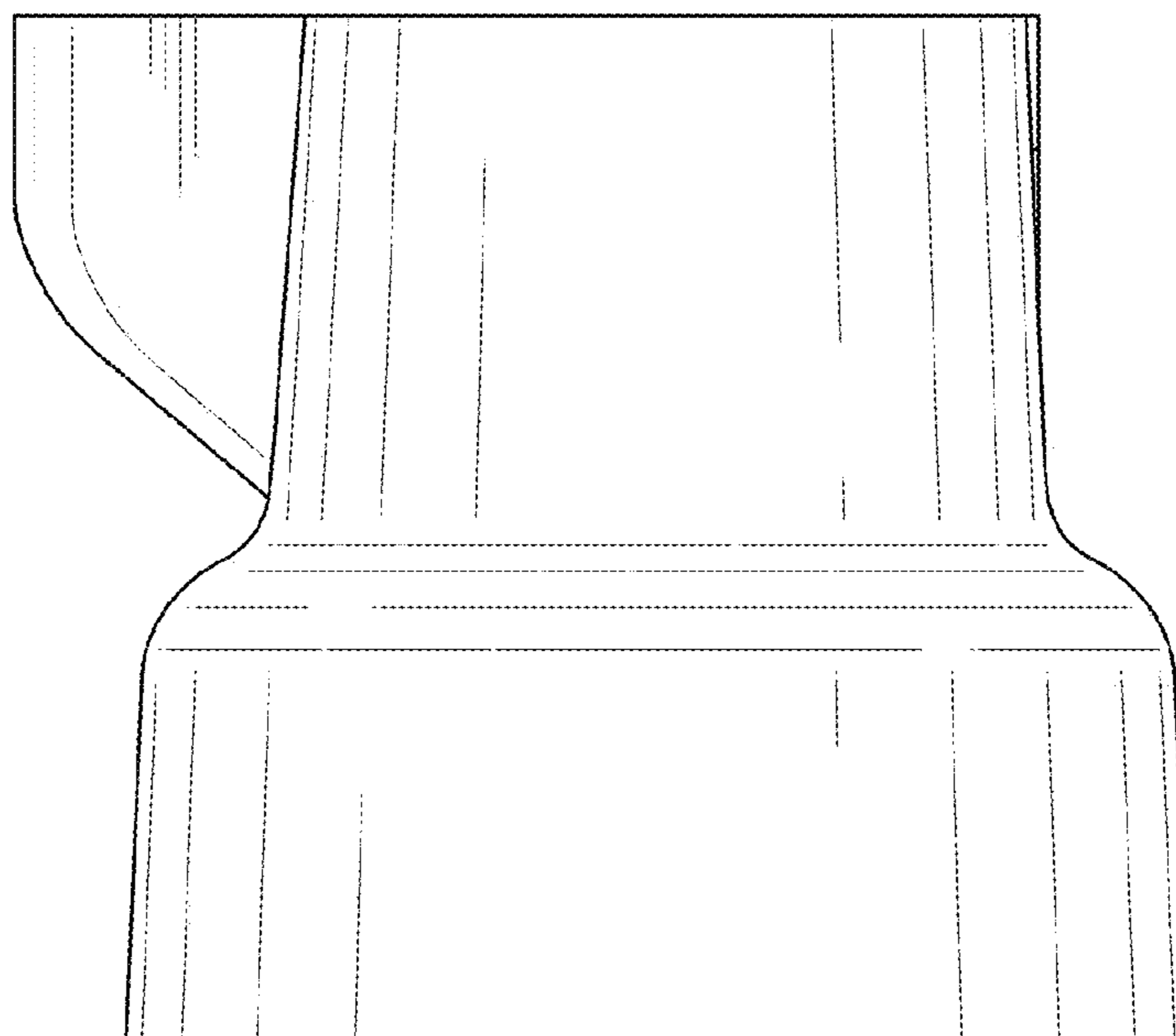


FIG. 5

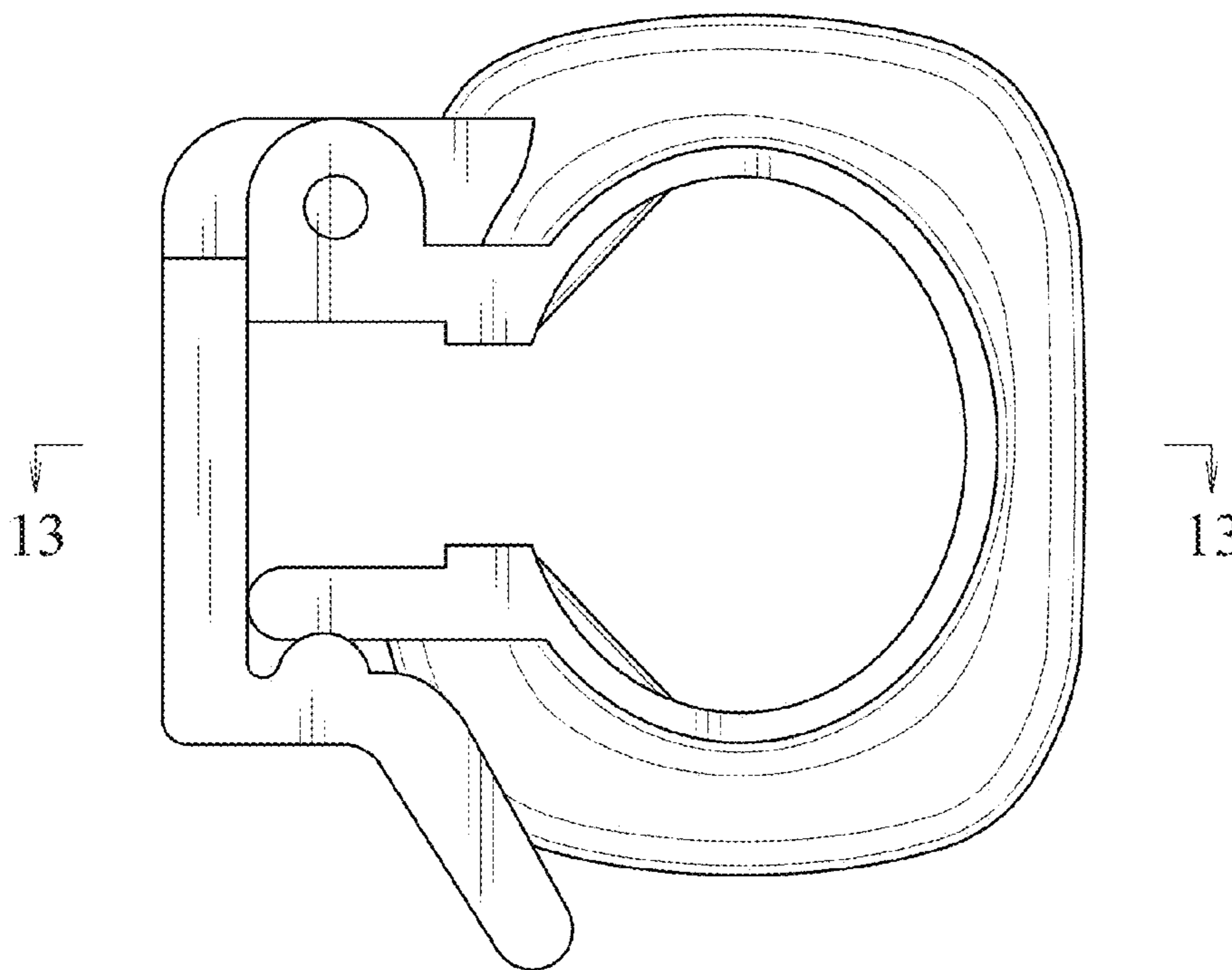


FIG. 6

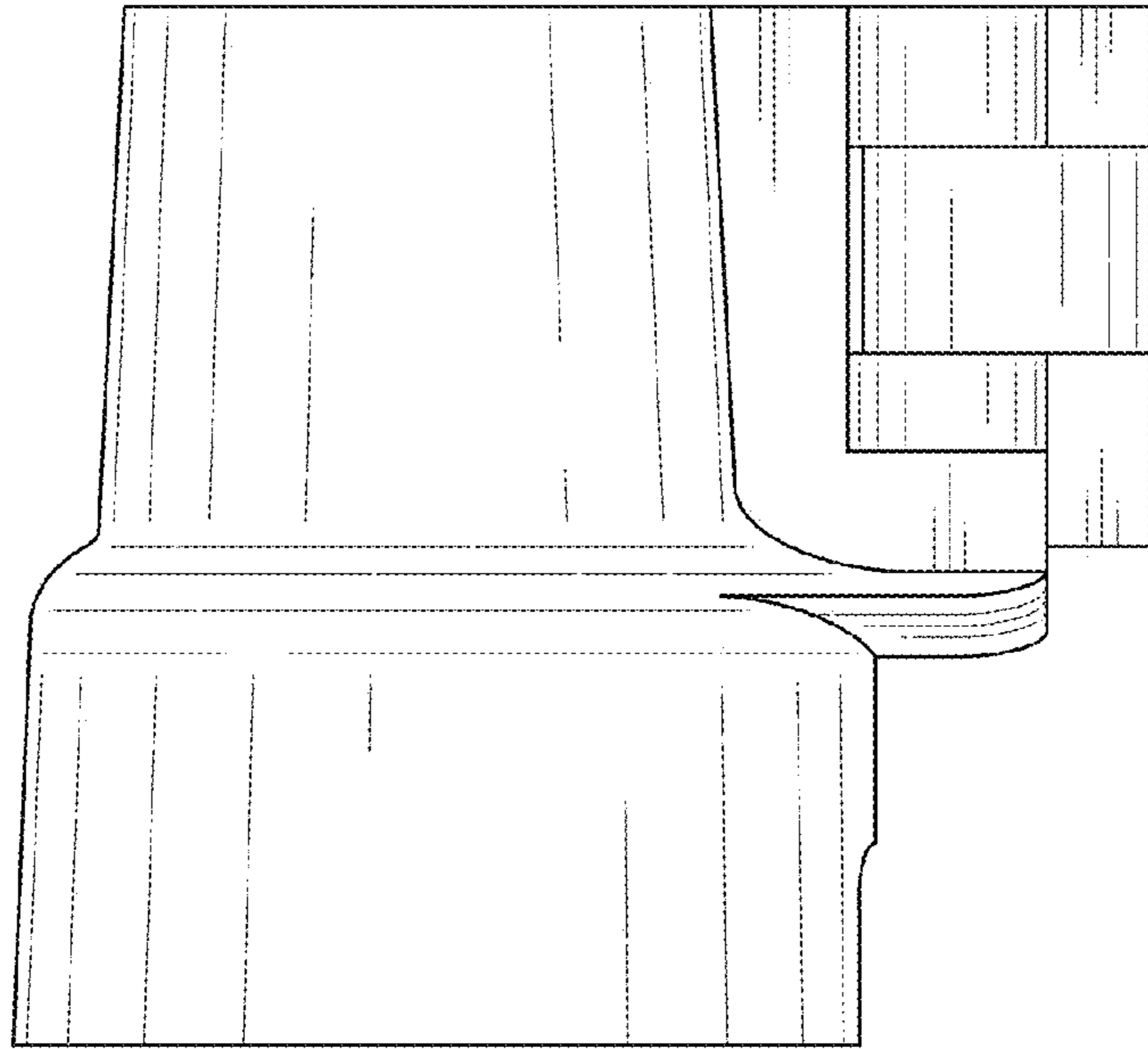


FIG. 7

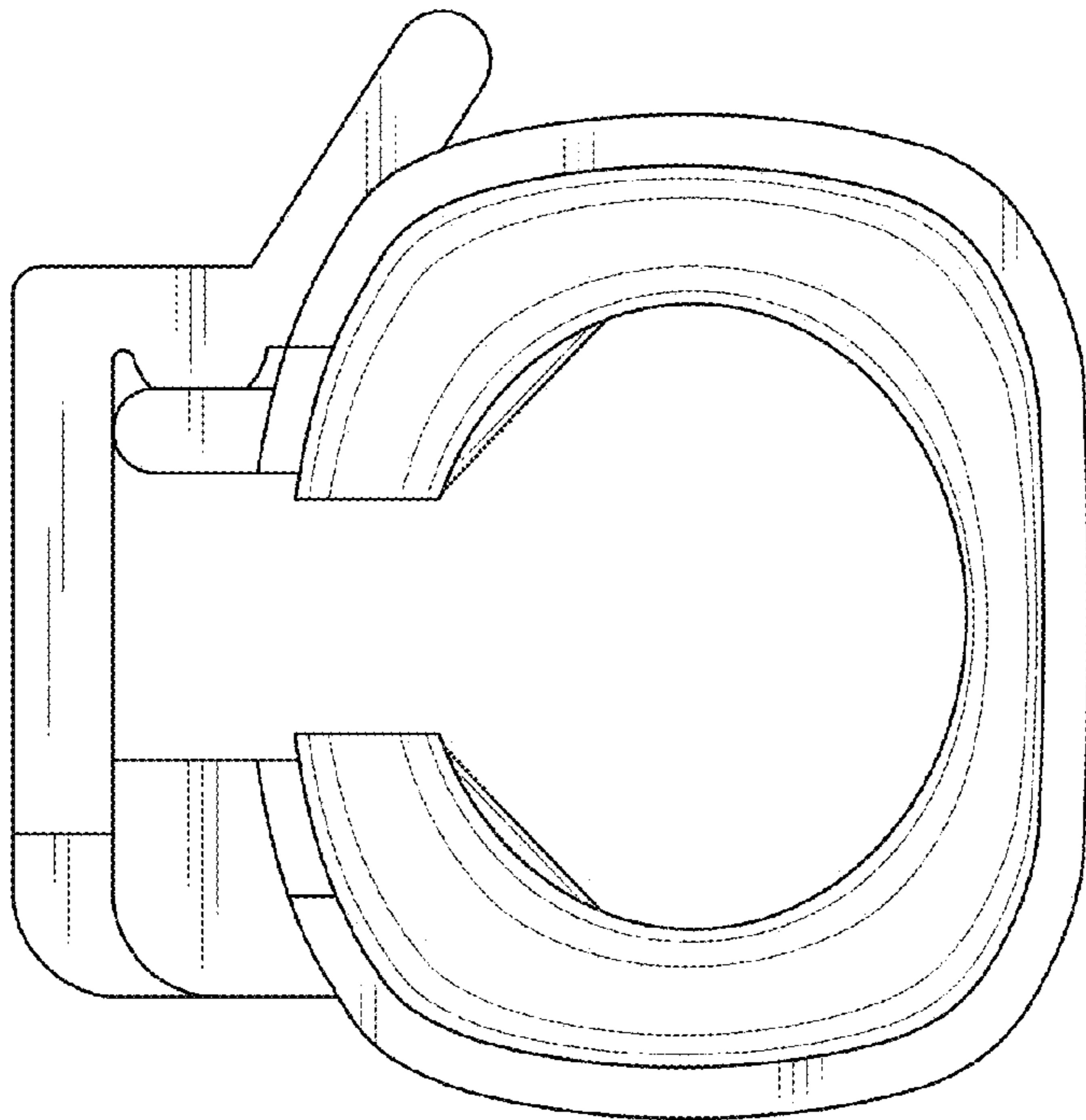


FIG. 8

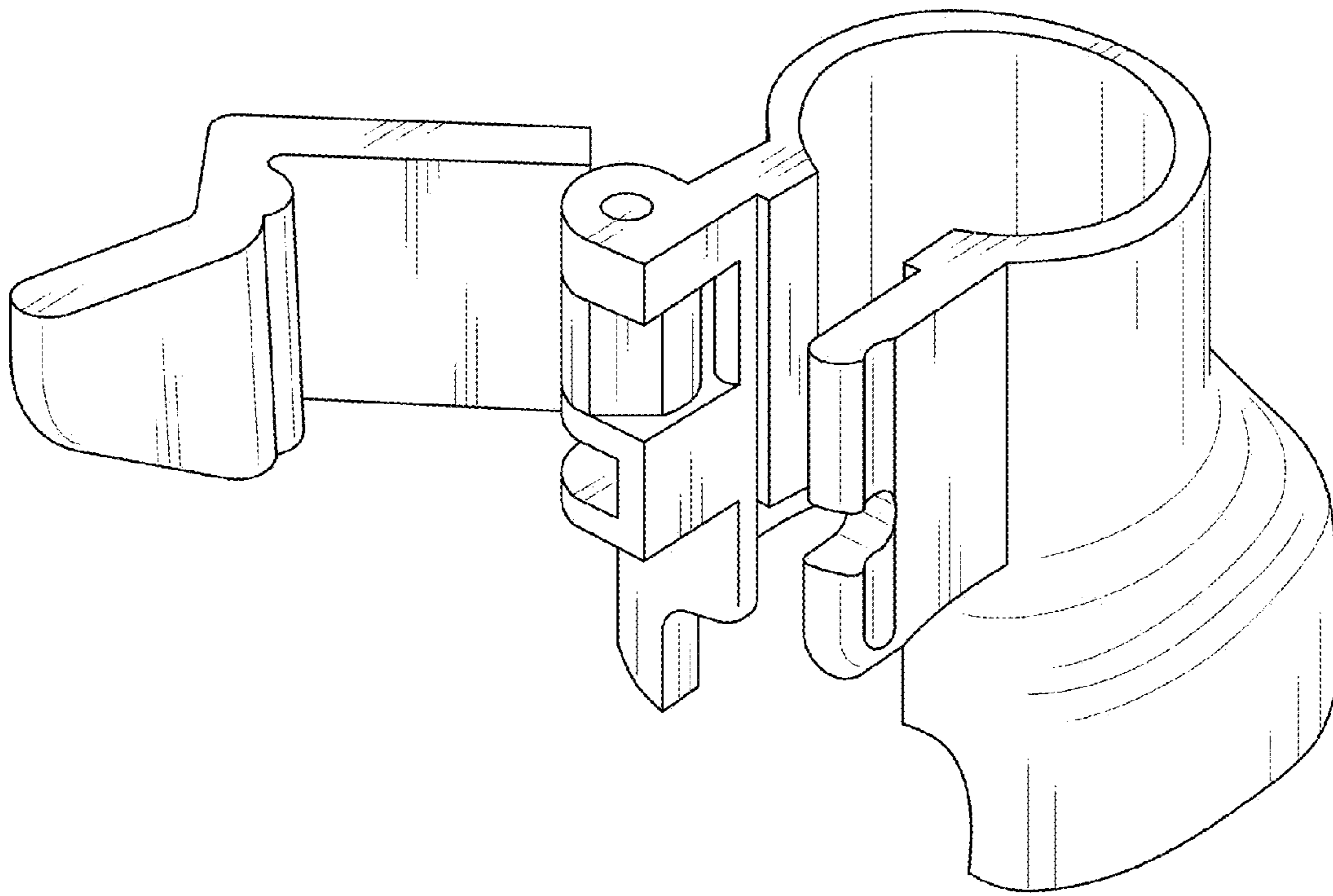


FIG. 9

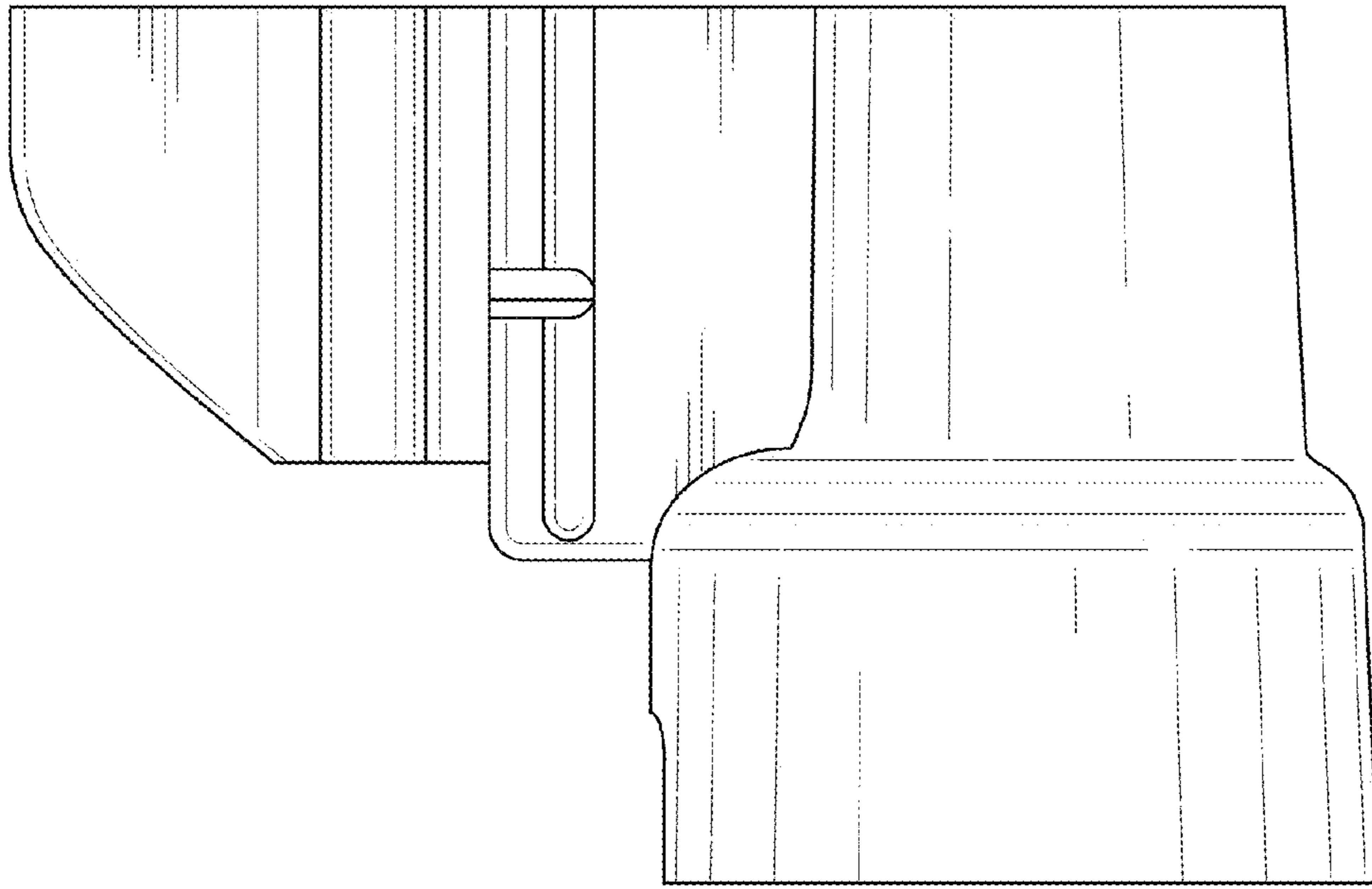


FIG. 10

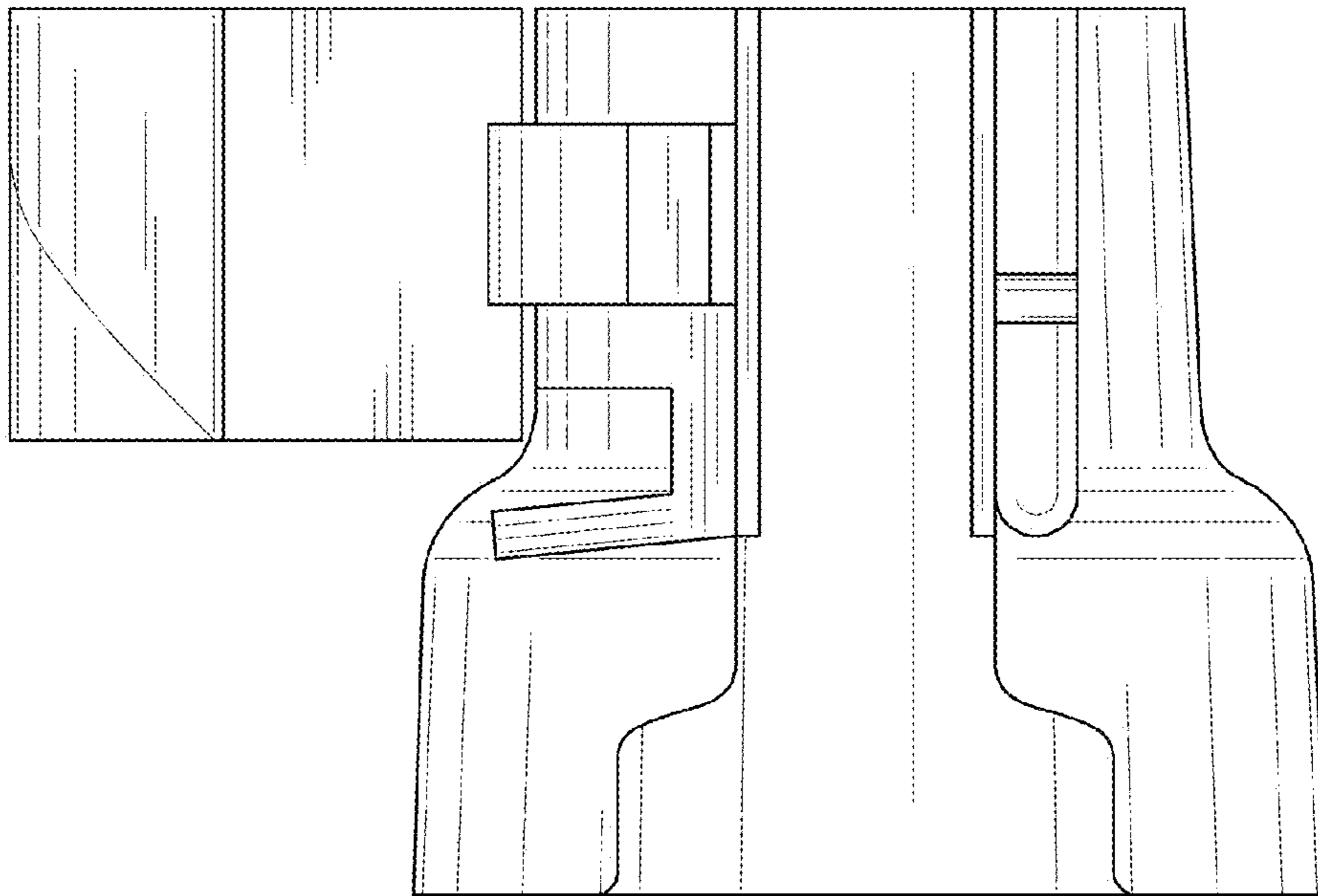


FIG. 11

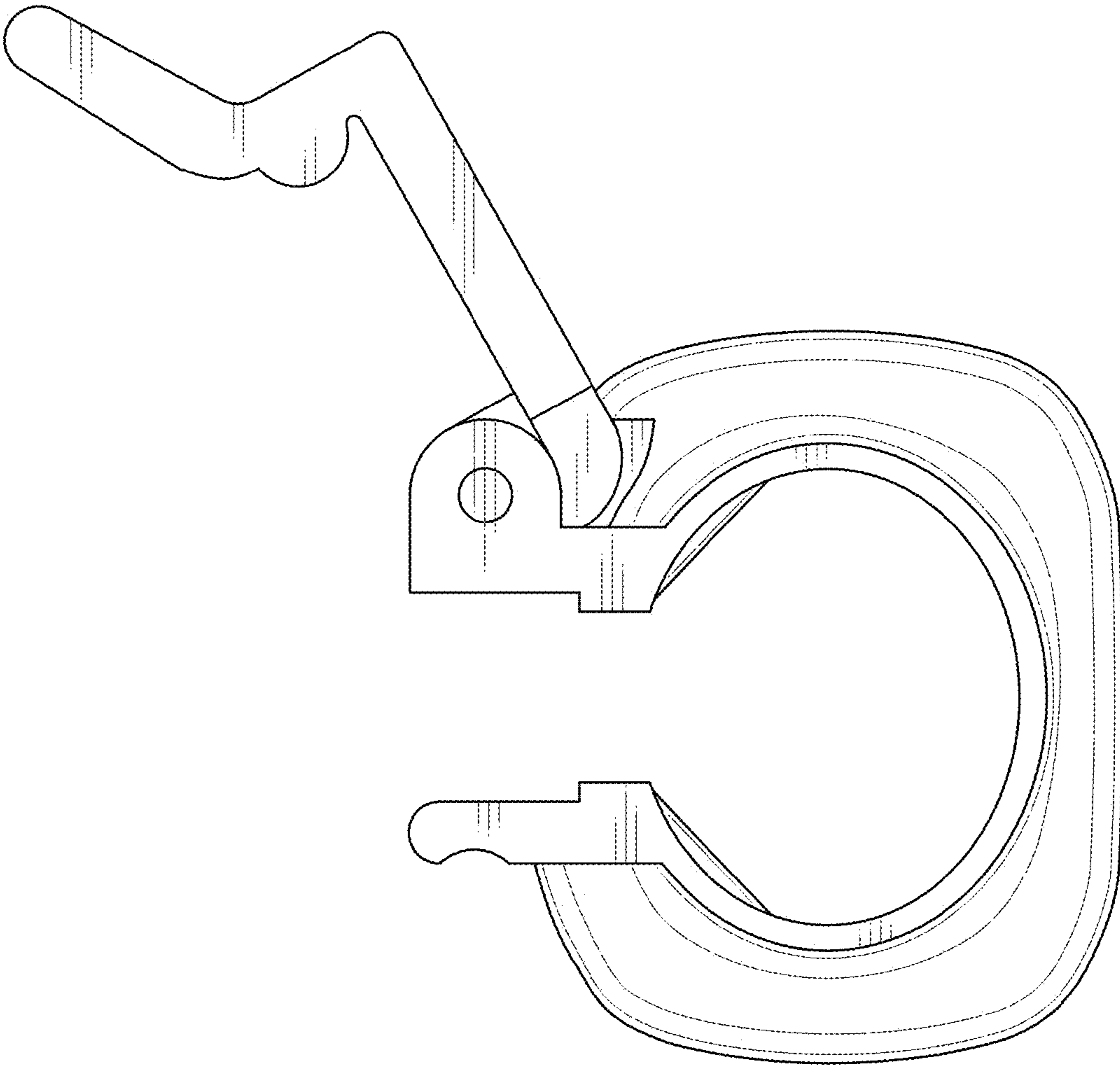


FIG. 12

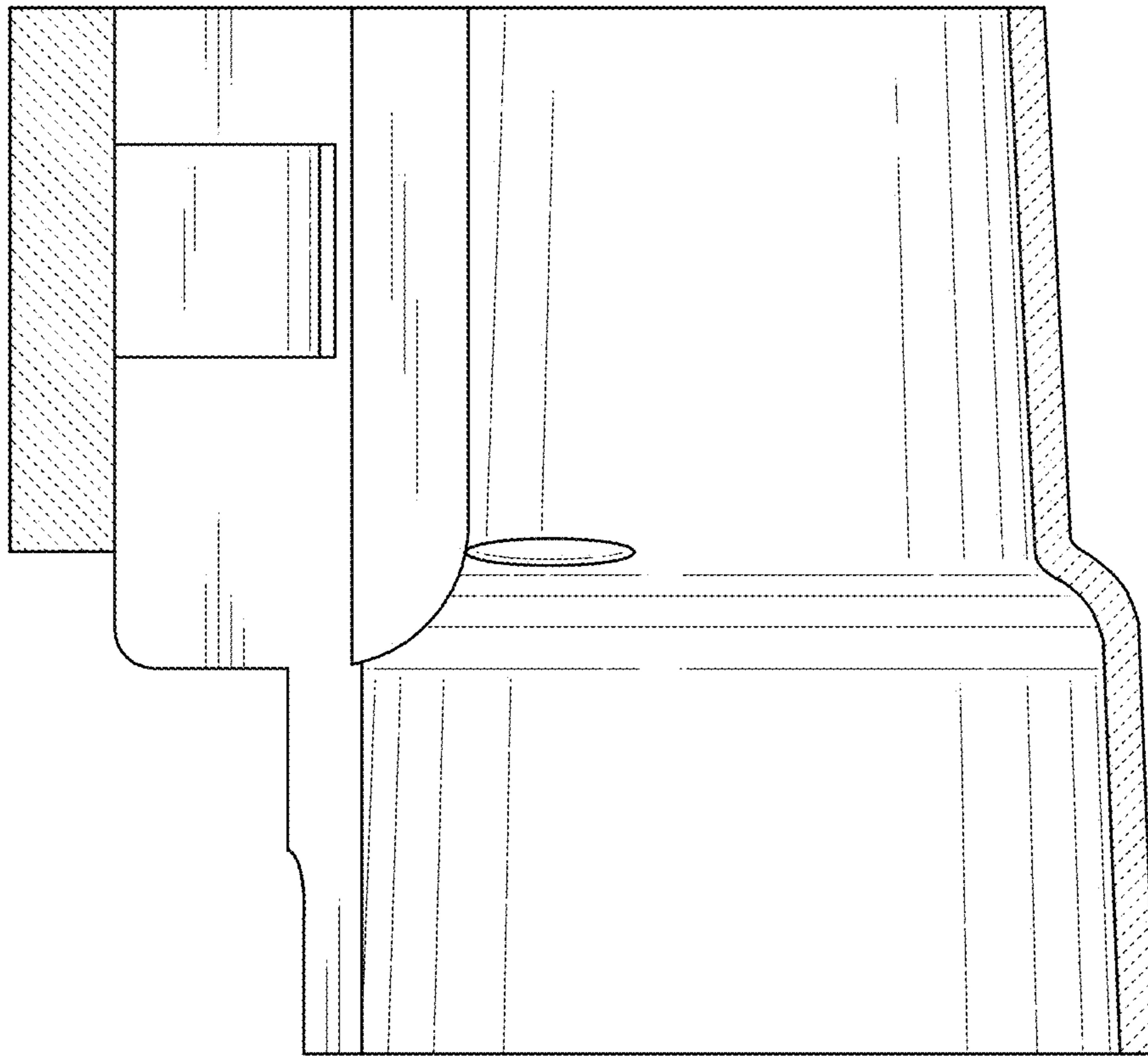


FIG. 13

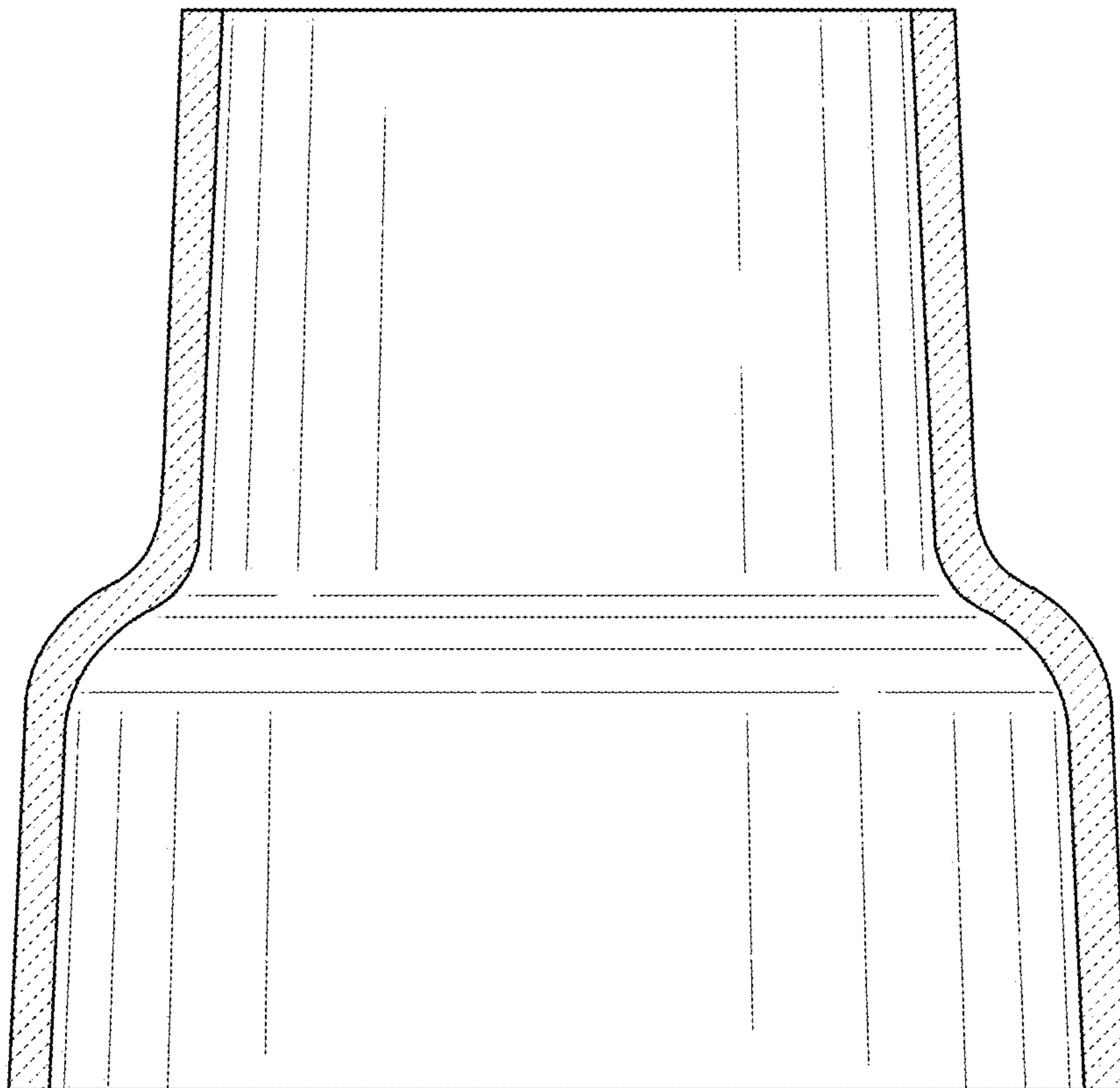


FIG. 14

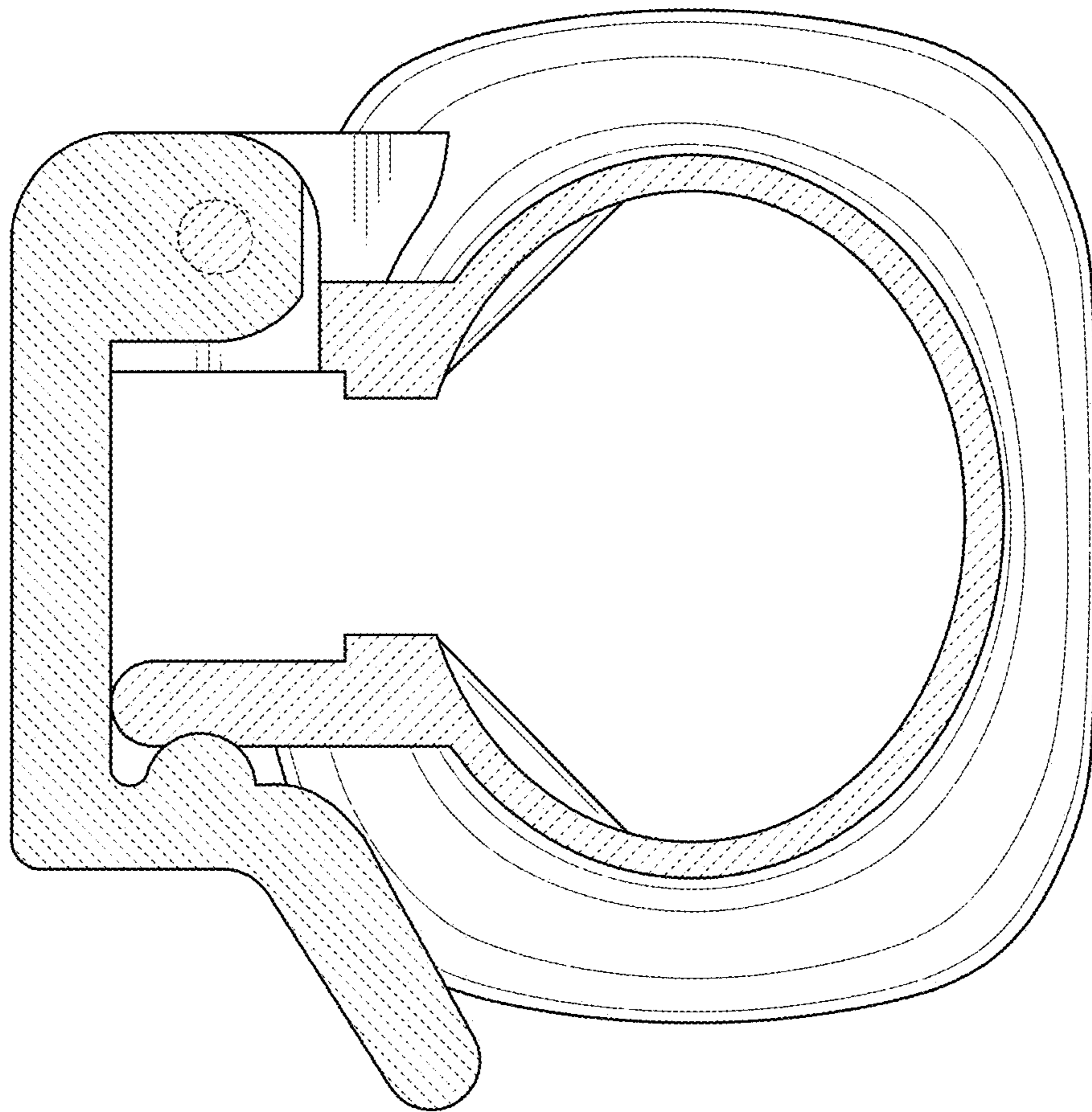


FIG. 15