



US00D704037S

(12) **United States Design Patent**
Popkin

(10) **Patent No.:** **US D704,037 S**

(45) **Date of Patent:** **** May 6, 2014**

(54) **PICTURE HANGER HOOK**

(71) Applicant: **Jeff Popkin**, Weston, FL (US)

(72) Inventor: **Jeff Popkin**, Weston, FL (US)

(**) Term: **14 Years**

(21) Appl. No.: **29/448,039**

(22) Filed: **Mar. 8, 2013**

(51) **LOC (10) Cl.** **08-05**

(52) **U.S. Cl.**
USPC **D8/367**

(58) **Field of Classification Search**
USPC D7/367, 323, 353, 373, 381; D26/138,
D26/24; 362/368, 374, 355, 18, 220, 362;
52/39, 28; D8/367, 354, 349, 373;
D6/323; 248/301-304, 339
See application file for complete search history.

| | | | | | | |
|--------------|----|---|---------|------------------|-------|----------|
| D610,434 | S | * | 2/2010 | Watts et al. | | D8/349 |
| D619,879 | S | * | 7/2010 | McCarthy et al. | | D8/354 |
| D631,734 | S | * | 2/2011 | Fernandez et al. | | D8/380 |
| D645,865 | S | * | 9/2011 | Diehl | | D14/432 |
| D656,452 | S | * | 3/2012 | Calvert | | D12/223 |
| D662,653 | S | * | 6/2012 | Hochman | | D26/138 |
| 8,234,826 | B1 | * | 8/2012 | Proffitt, Jr. | | 52/293.3 |
| D667,718 | S | * | 9/2012 | Preda | | D8/354 |
| D668,379 | S | * | 10/2012 | Storey | | D26/138 |
| D672,287 | S | * | 12/2012 | Noble et al. | | D12/159 |
| D679,176 | S | * | 4/2013 | Tedesco et al. | | D8/394 |
| D690,188 | S | * | 9/2013 | Pontus | | D8/349 |
| 2009/0173036 | A1 | * | 7/2009 | Hand | | 52/715 |

* cited by examiner

Primary Examiner — Cynthia Underwood

(74) *Attorney, Agent, or Firm* — Lackenbach Siegel, LLP;
Myron Greenspan, Esq.

(57) **CLAIM**

The ornamental designs for a picture hanger hook, as shown and described.

(56) **References Cited**

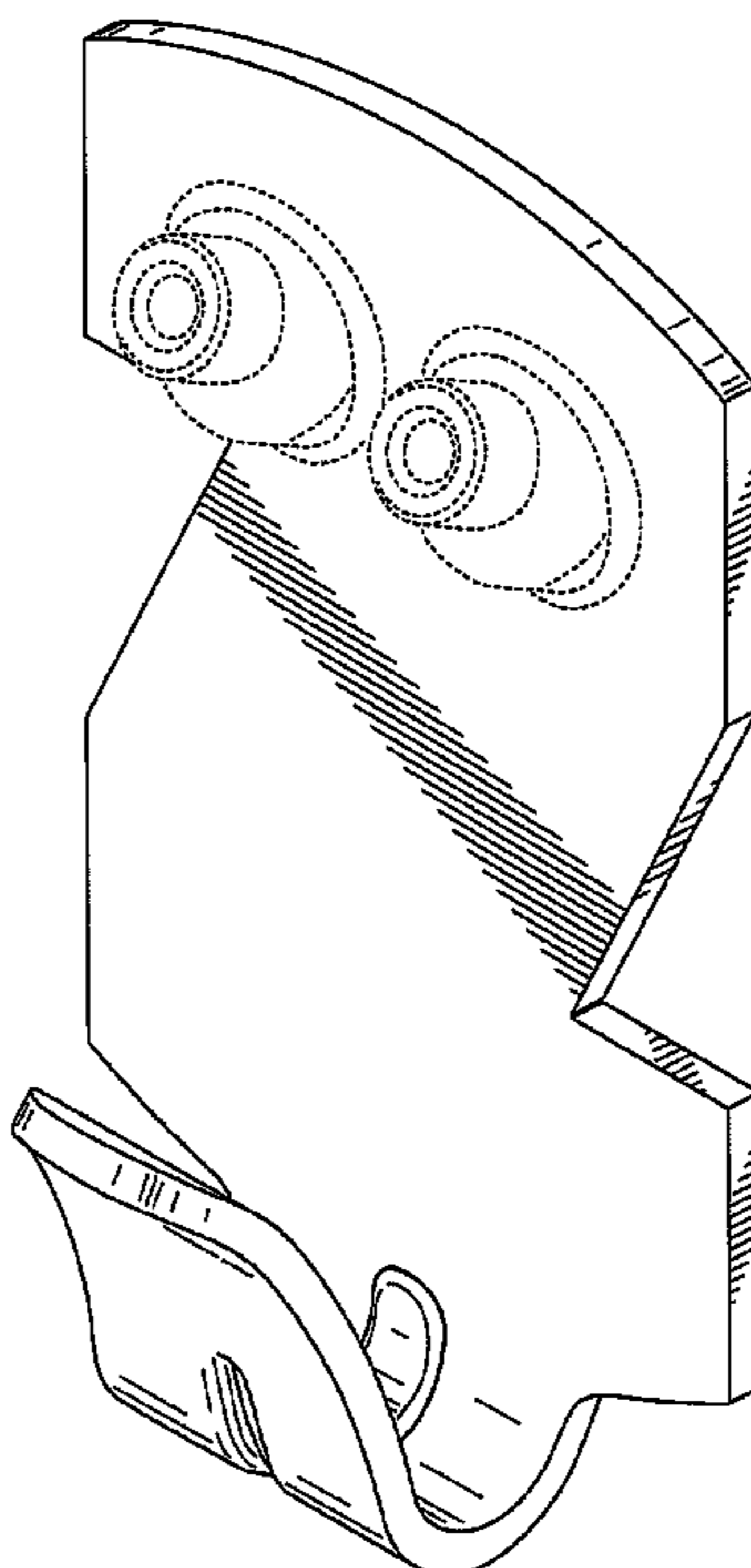
U.S. PATENT DOCUMENTS

| | | | | | | |
|-----------|----|---|---------|----------------|-------|------------|
| 4,825,621 | A | * | 5/1989 | Jensen | | 52/702 |
| D324,990 | S | * | 3/1992 | Gary | | D8/354 |
| D349,041 | S | * | 7/1994 | Wical | | D8/373 |
| D354,677 | S | * | 1/1995 | Troyer | | D8/396 |
| D374,739 | S | * | 10/1996 | Blanton | | D26/138 |
| D437,282 | S | * | 2/2001 | Joll | | D12/223 |
| D474,958 | S | * | 5/2003 | Perdue | | D8/349 |
| D481,303 | S | * | 10/2003 | Fell et al. | | D8/395 |
| 6,659,623 | B2 | * | 12/2003 | Friend | | 362/249.06 |
| D485,484 | S | * | 1/2004 | McCoy et al. | | D8/343 |
| D486,727 | S | * | 2/2004 | Smith et al. | | D8/375 |
| D523,736 | S | * | 6/2006 | Lu | | D8/373 |
| D548,051 | S | * | 8/2007 | Ruppert et al. | | D8/354 |
| D593,248 | S | * | 5/2009 | Quintin | | D26/138 |

DESCRIPTION

FIG. 1 is a perspective view of a picture hanger hook, broken lines form no part of claimed design;
FIG. 2 is a front elevational view thereof;
FIG. 3 is a rear elevational view thereof;
FIG. 4 is left side elevational view thereof;
FIG. 5 is a right side elevational view thereof;
FIG. 6 is a top view thereof;
FIG. 7 is a bottom view thereof; and,
FIG. 8 is a perspective view thereof, the broken lines illustrating the environmental structure and is not a part of the design sought to be patented.

1 Claim, 7 Drawing Sheets



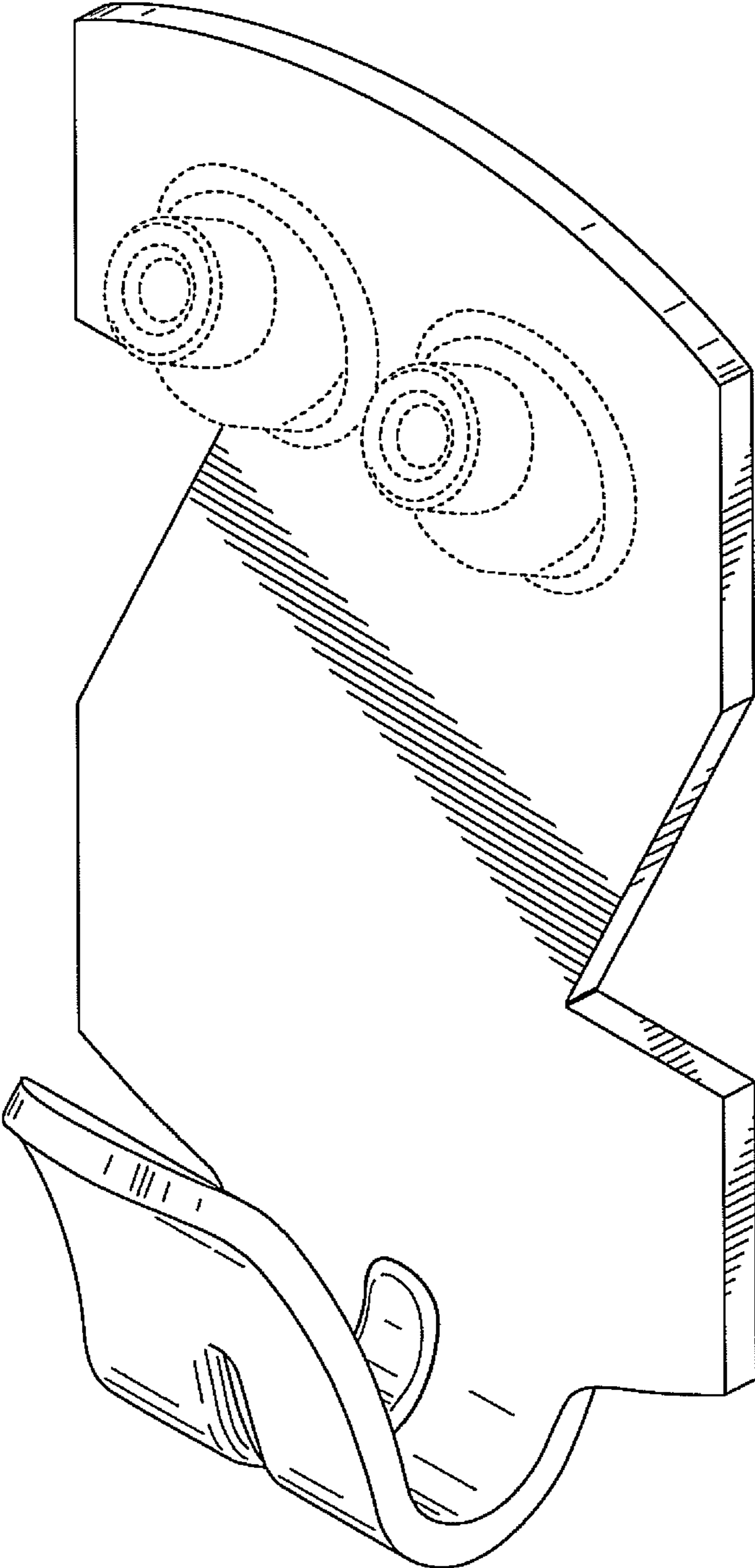


FIG. 1

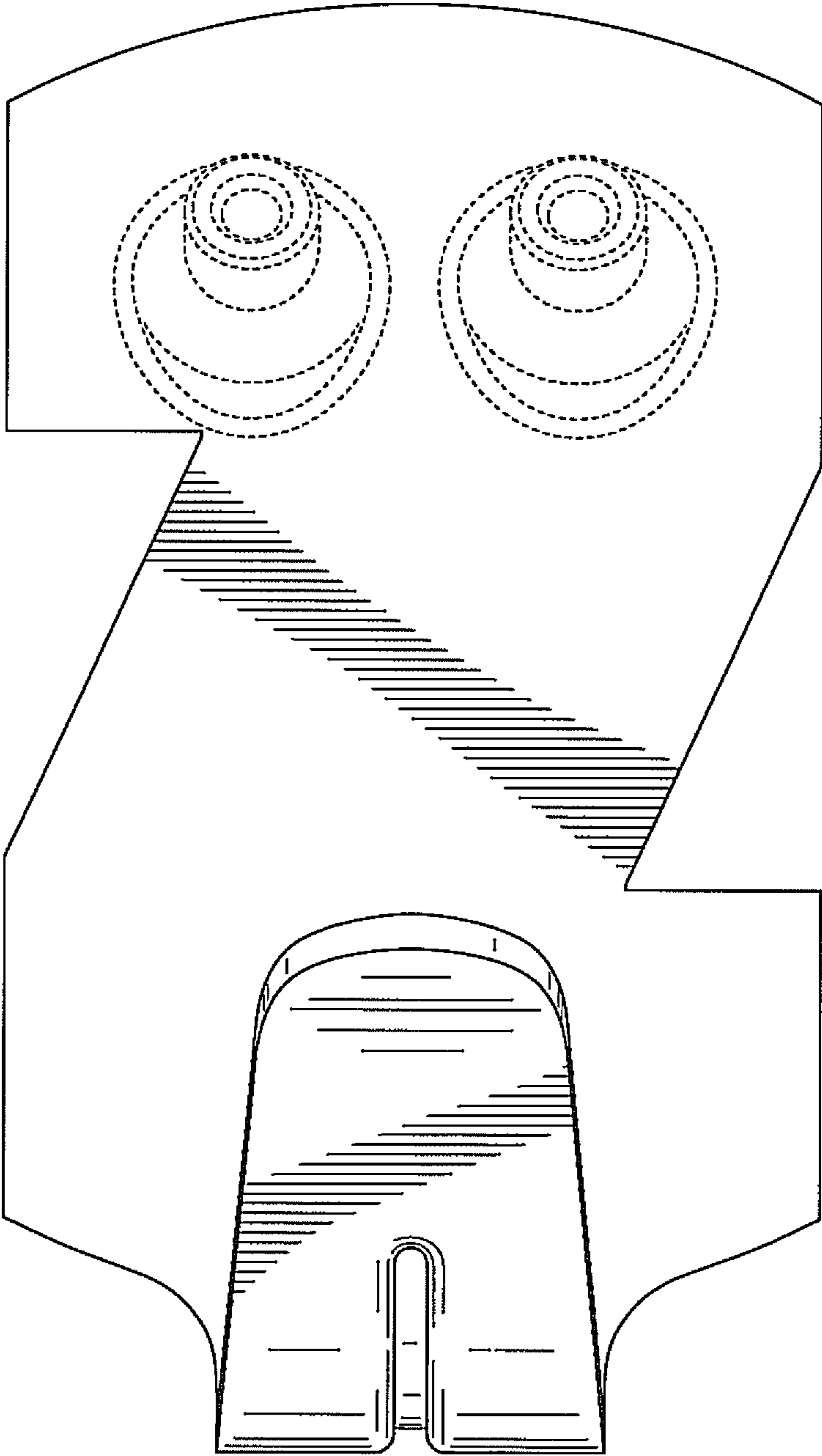


FIG. 2

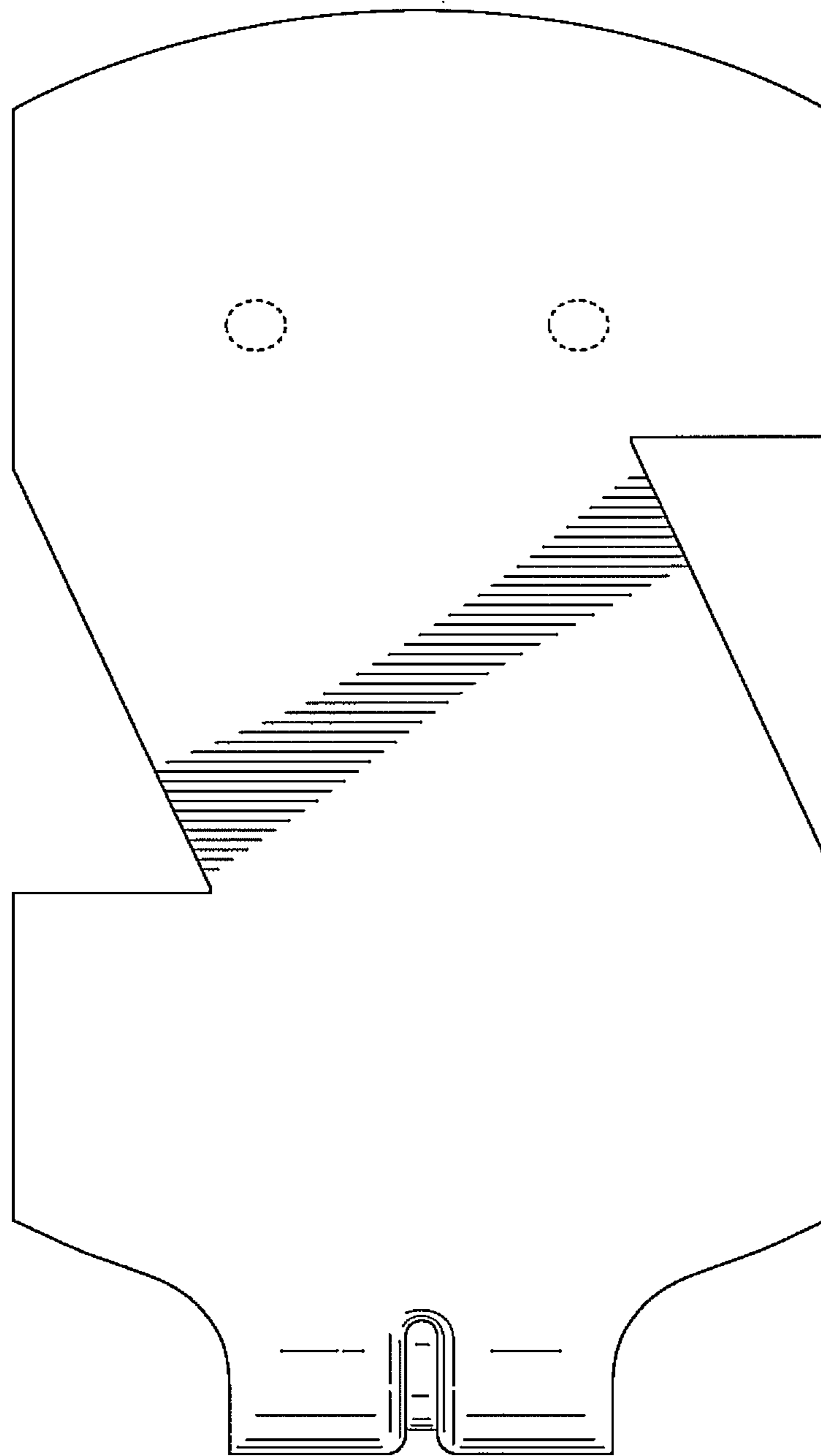


FIG. 3

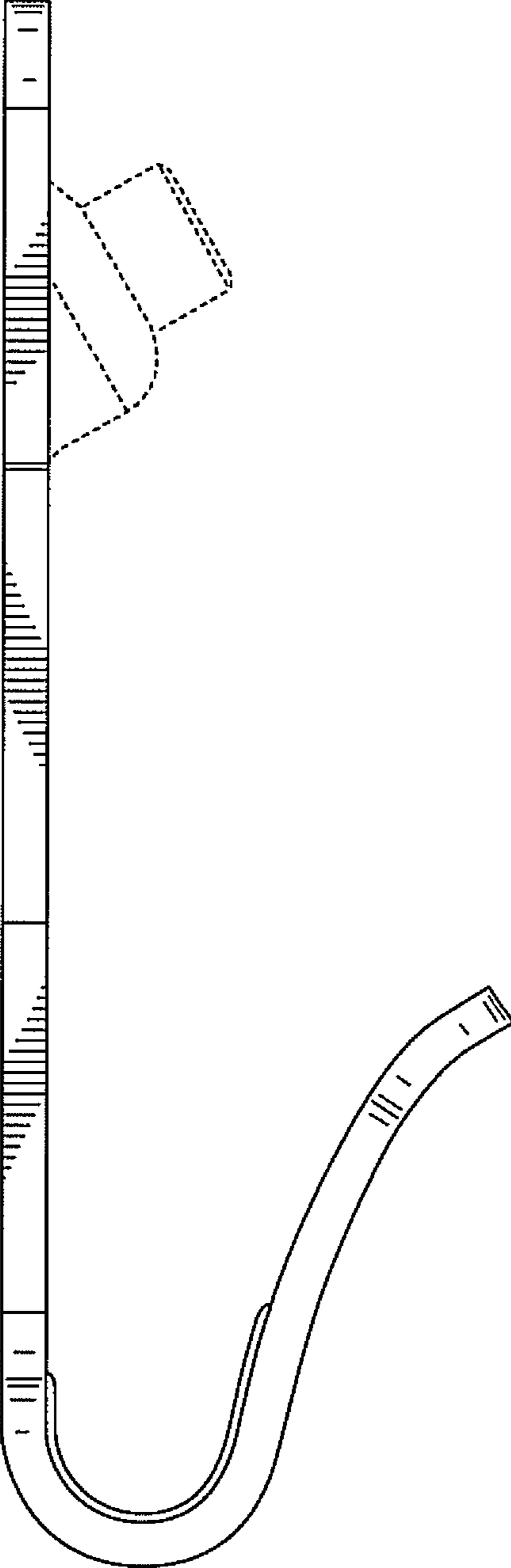


FIG. 4

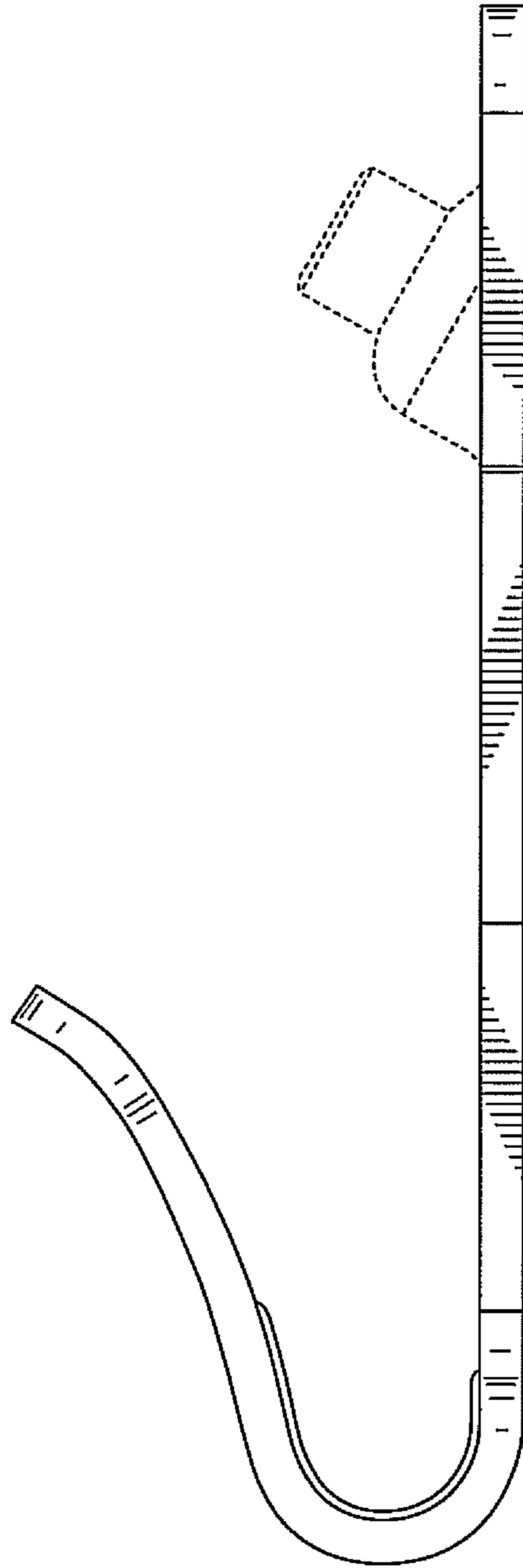


FIG. 5

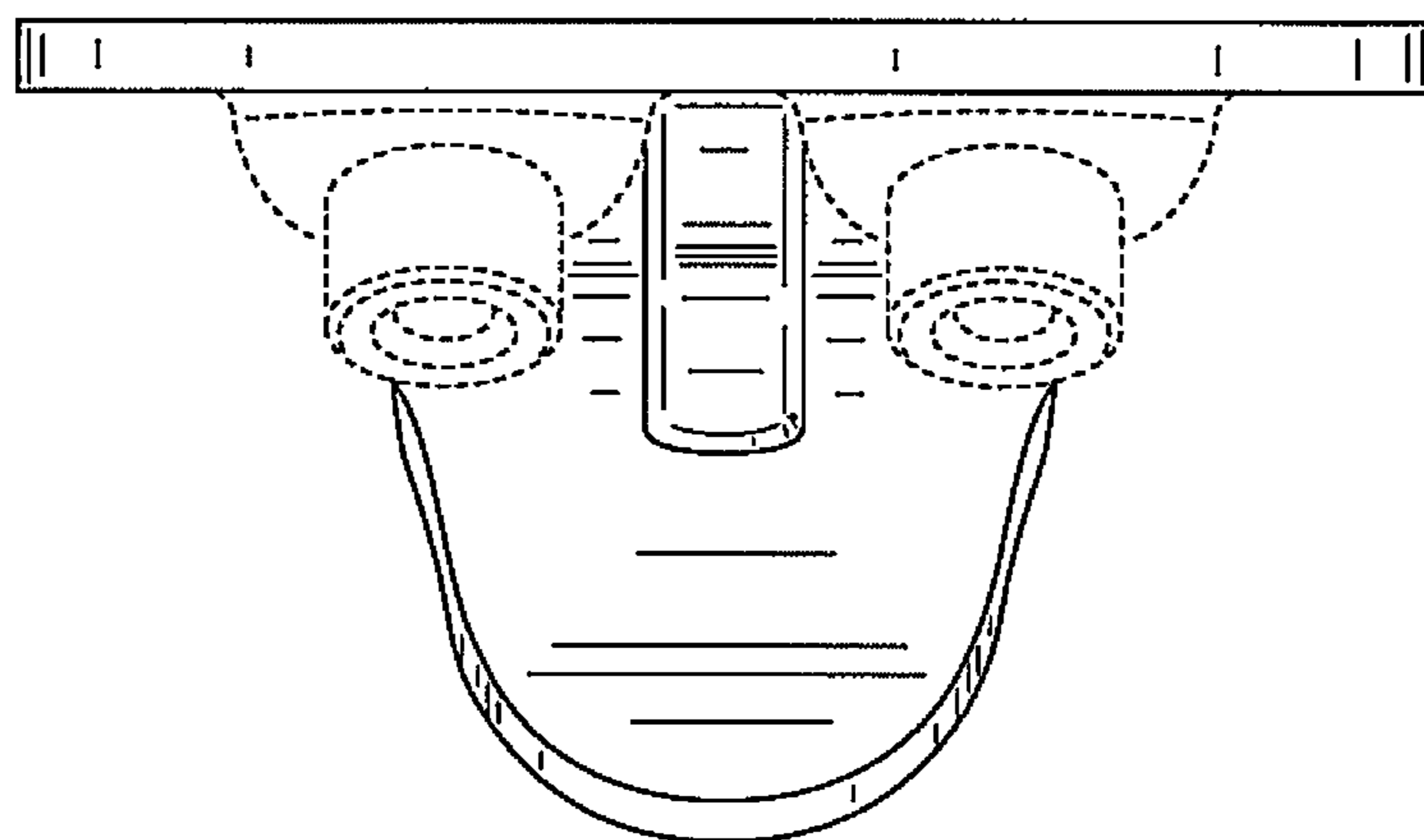


FIG. 6

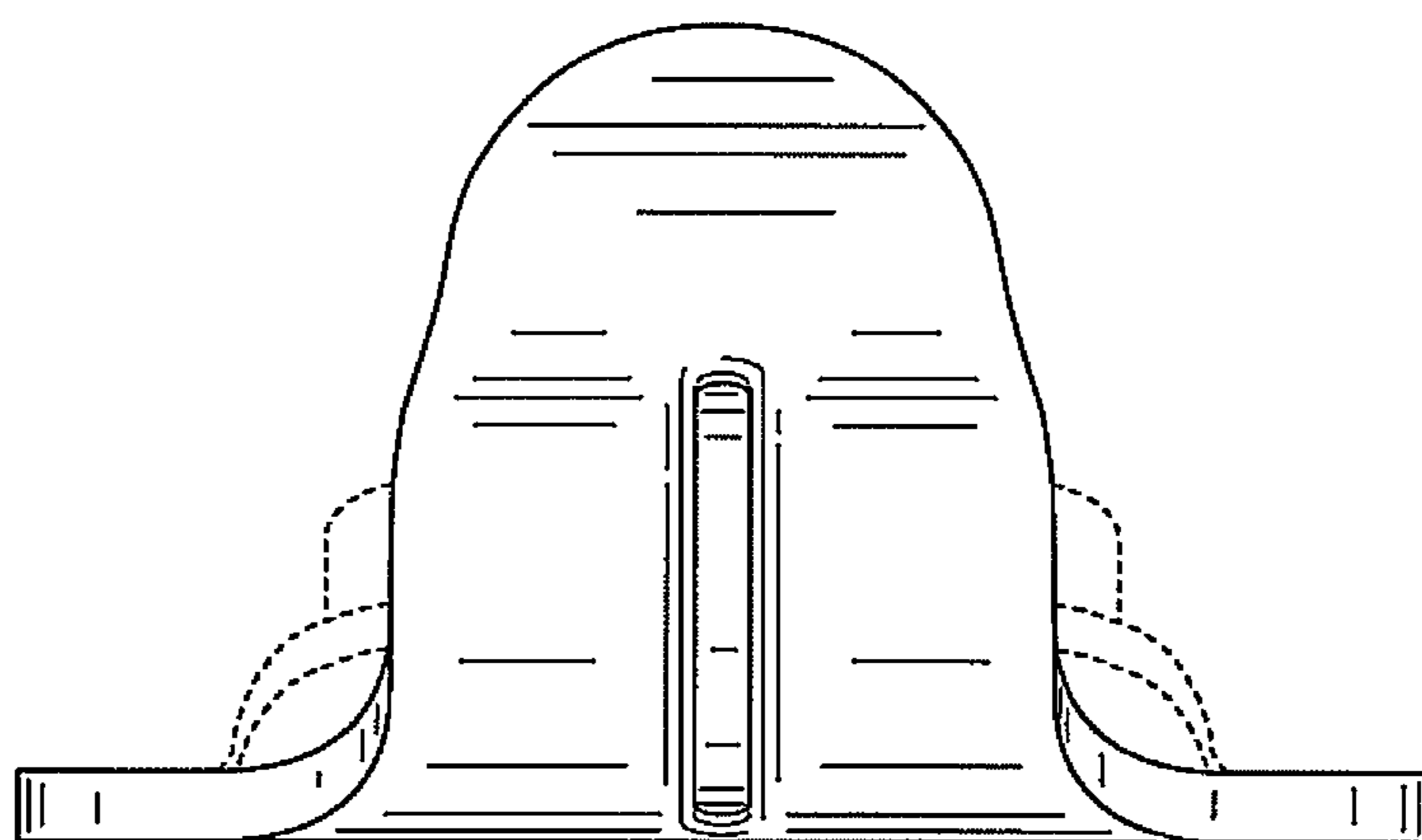


FIG. 7

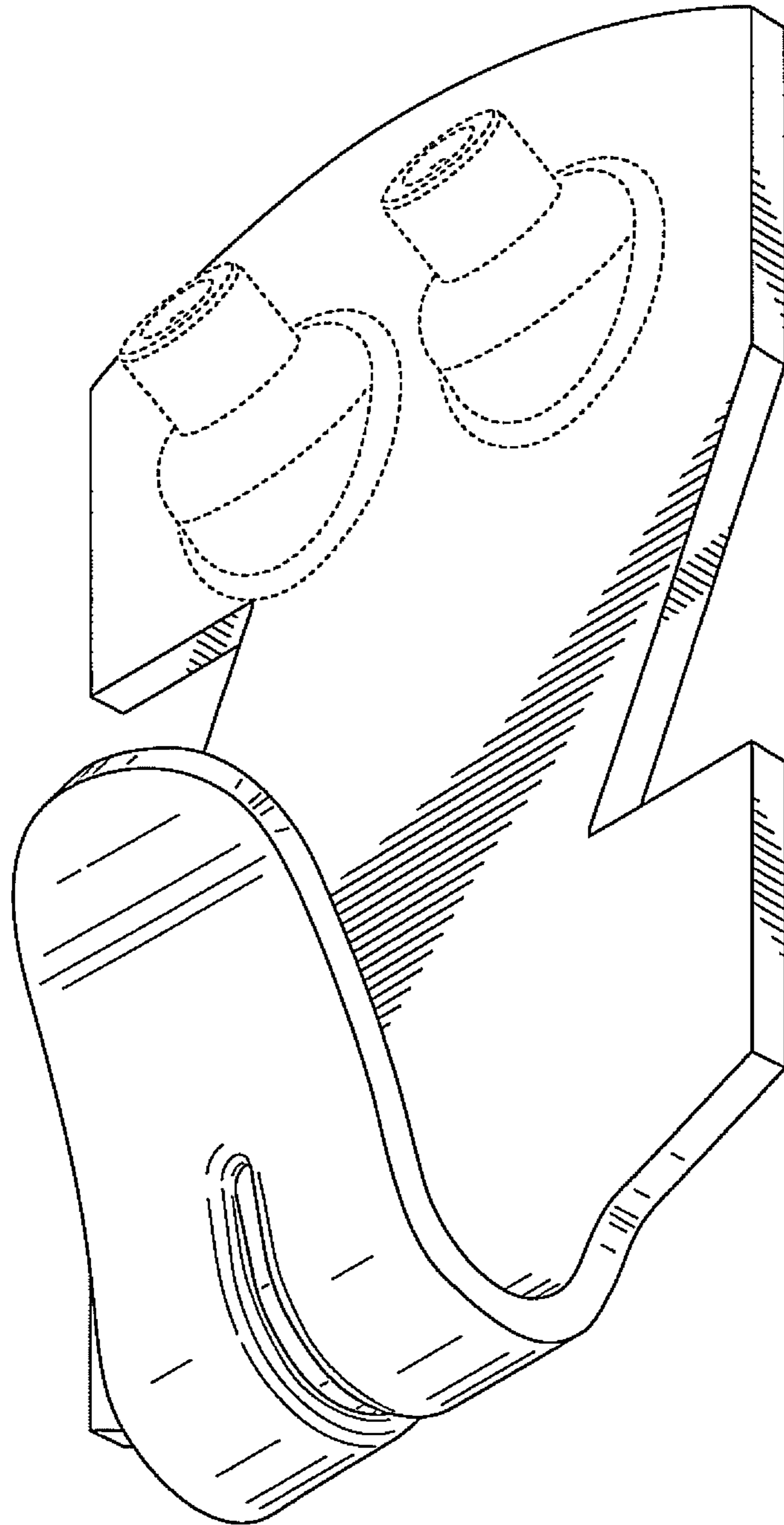


FIG. 8