



US00D704036S

(12) **United States Design Patent**  
**Fortier et al.**

(10) **Patent No.:** **US D704,036 S**

(45) **Date of Patent:** **\*\* May 6, 2014**

(54) **HOSE REEL**

(76) Inventors: **Nicola Fortier**, Quebec (CA); **Daniel Frank Marshall**, Enola, PA (US); **Eric Daniel Hyp**, Grandville, MI (US)

(\*\*) Term: **14 Years**

(21) Appl. No.: **29/432,292**

(22) Filed: **Sep. 14, 2012**

(30) **Foreign Application Priority Data**

Mar. 16, 2012 (EM) ..... 002010256

(51) **LOC (10) Cl.** ..... **08-05**

(52) **U.S. Cl.**  
USPC ..... **D8/358**

(58) **Field of Classification Search**  
USPC ..... D8/385, 359; 242/395, 405.3, 118.7,  
242/542.4, 160.4, 366; 137/355.26;  
D14/484; D3/24; D15/16; D12/501,  
D12/204; D22/14, 137  
See application file for complete search history.

(56) **References Cited**

**U.S. PATENT DOCUMENTS**

D294,455 S	3/1988	Nelson	
D351,333 S	10/1994	Nelson et al.	
5,381,981 A *	1/1995	Nelson	242/407.1
D384,878 S	10/1997	Kovacik et al.	
5,758,685 A *	6/1998	Tisbo et al.	137/355.27
D409,813 S *	5/1999	Tisbo et al.	D34/24
5,934,314 A *	8/1999	Spear et al.	137/355.16
5,988,552 A *	11/1999	Tisbo et al.	242/403.1
D417,538 S *	12/1999	Tisbo et al.	D34/24
D501,788 S *	2/2005	Richardson et al.	D8/359
D672,635 S *	12/2012	Phillips et al.	D8/359
D673,030 S *	12/2012	Phillips et al.	D8/359

**OTHER PUBLICATIONS**

- [http://www.garant.com/html/en/produits/produit.php?idProduit=1008858&typeProduit=famille.\\*](http://www.garant.com/html/en/produits/produit.php?idProduit=1008858&typeProduit=famille.*)
- <http://www.suncast.com/productdisplay.aspx?id=422&pid=148>  
Mar. 15, 2012.
- <http://www.suncast.com/productdisplay.aspx?id=202&pid=148>  
Mar. 15, 2012.
- <http://www.suncast.com/productdisplay.aspx?id=516&pid=148>  
Mar. 15, 2012.
- <http://www.suncast.com/productdisplay.aspx?id=155&pid=148>  
Mar. 15, 2012.
- <http://www.suncast.com/productdisplay.aspx?id=525&pid=148>  
Mar. 15, 2012.
- <http://www.gardena.com/fr/water-management/garden-hose-reel/kit-60-ts/> Mar. 15, 2012.
- <http://www.gardena.com/fr/water-management/garden-hose-reel/kit-60-hg/> Mar. 15, 2012.

(Continued)

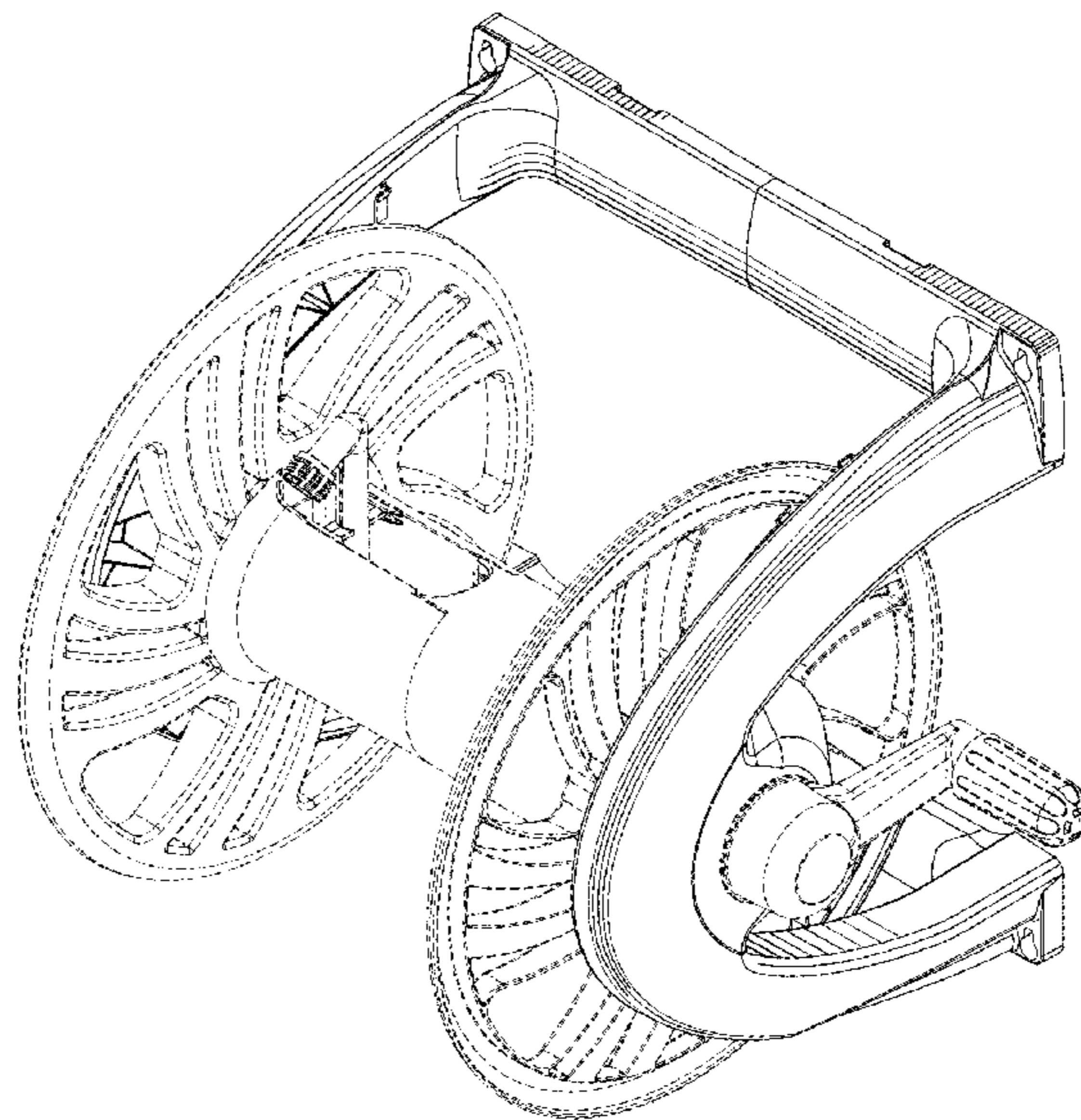
*Primary Examiner* — Robert M Spear  
*Assistant Examiner* — Eliza Bennett-Hattan

(57) **CLAIM**  
The ornamental design for a hose reel, as shown and described.

**DESCRIPTION**

FIG. 1 is a perspective view of a hose reel showing my new design;  
FIG. 2 is a front view of the hose reel of FIG. 1;  
FIG. 3 is a first side view of the hose reel of FIG. 1;  
FIG. 4 is a second side view of the hose reel of FIG. 1;  
FIG. 5 is a top view of the hose reel of FIG. 1; and,  
FIG. 6 is a bottom view of the hose reel of FIG. 1.  
The broken lines depict environmental subject matter only and form no part of the claimed design.

**1 Claim, 4 Drawing Sheets**



(56)

**References Cited**

OTHER PUBLICATIONS

<http://www.gardena.com/fr/water-management/garden-hose-reel/kit-pour-devidoir-portable-10-classic/> Mar. 15, 2012.  
<http://www.garant.com/html/en/produits/produit.php?idProduit=1005650&typeProduit=famille> Mar. 15, 2012.  
<http://www.garant.com/html/en/produits/produit.php?idProduit=1008353&typeProduit=famille> Mar. 15, 2012.  
<http://www.garant.com/html/en/produits/produit.php?idProduit=63&typeProduit=famille> Mar. 15, 2012.  
<http://www.garant.com/html/en/produits/produit.php?idProduit=75&typeProduit=famille> Mar. 15, 2012.  
<http://www.garant.com/html/en/produits/produit.php?idProduit=1008755&typeProduit=famille> Mar. 15, 2012.

<http://www.garant.com/html/en/produits/produit.php?idProduit=1008352&typeProduit=famille> Mar. 15, 2012.  
<http://www.garant.com/html/en/produits/produit.php?idProduit=69&typeProduit=famille> Mar. 15, 2012.  
<http://www.garant.com/html/en/produits/produit.php?idProduit=1008754&typeProduit=famille> Mar. 15, 2012.  
<http://www.garant.com/html/en/produits/produit.php?idProduit=1003652&typeProduit=famille> Mar. 15, 2012.  
<http://www.garant.com/html/en/produits/produit.php?idProduit=1005653&typeProduit=famille> Mar. 15, 2012.  
<http://www.garant.com/html/en/produits/produit.php?idProduit=1008346&typeProduit=famille> Mar. 15, 2012.  
<http://www.garant.com/html/en/produits/produit.php?idProduit=70&typeProduit=famille> Mar. 15, 2012.

\* cited by examiner

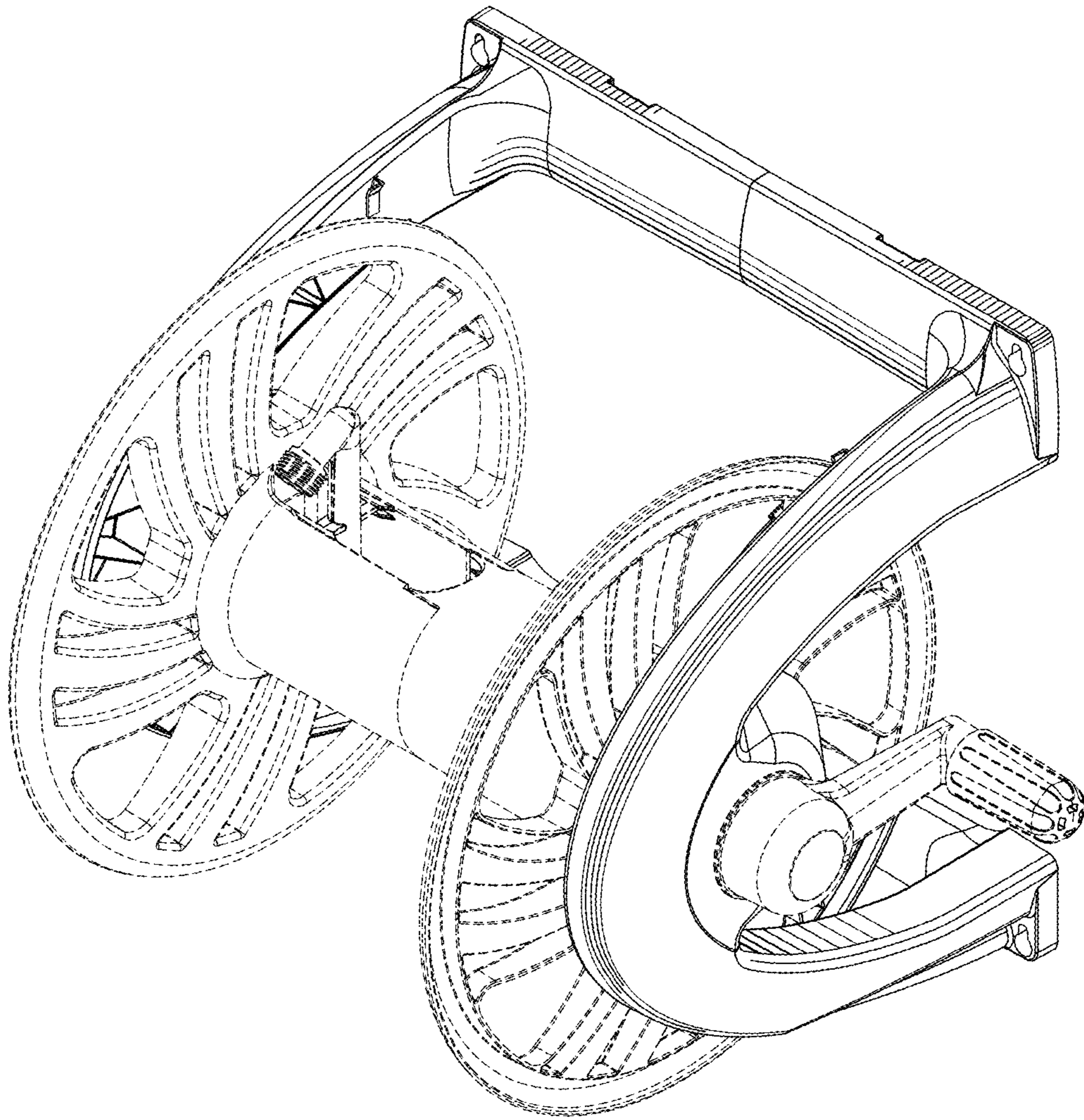


FIG. 1

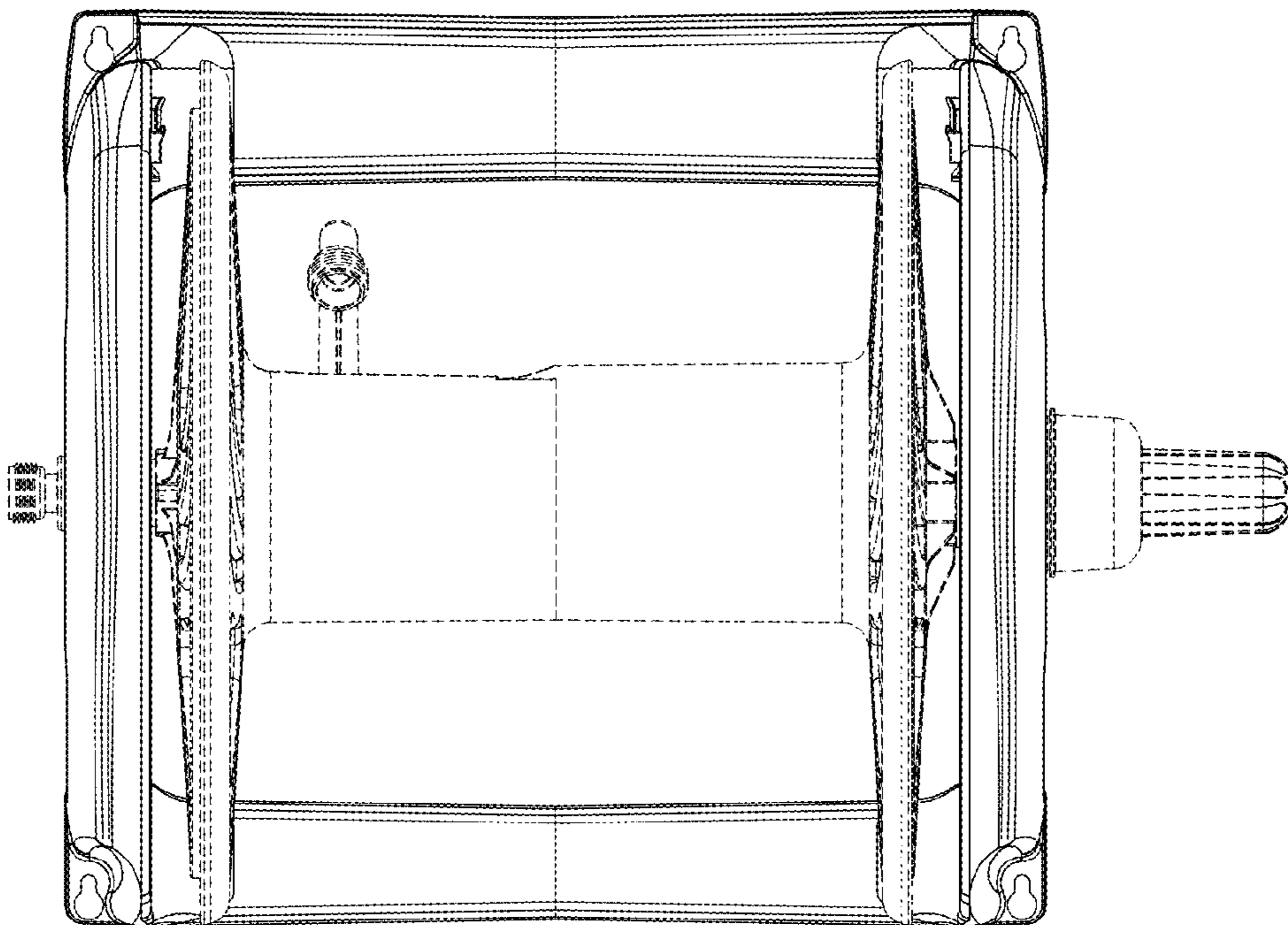


FIG. 2

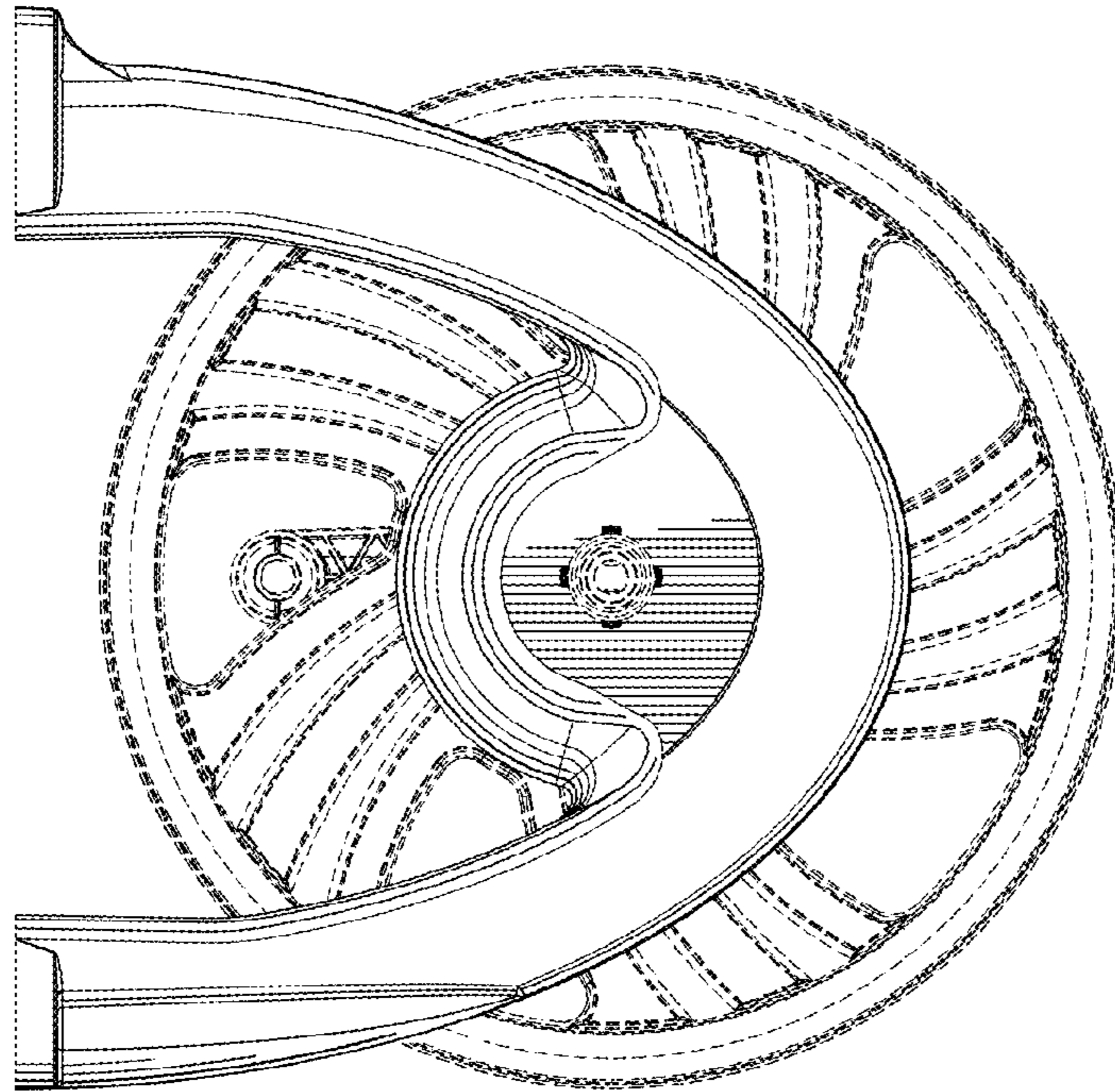


FIG. 3

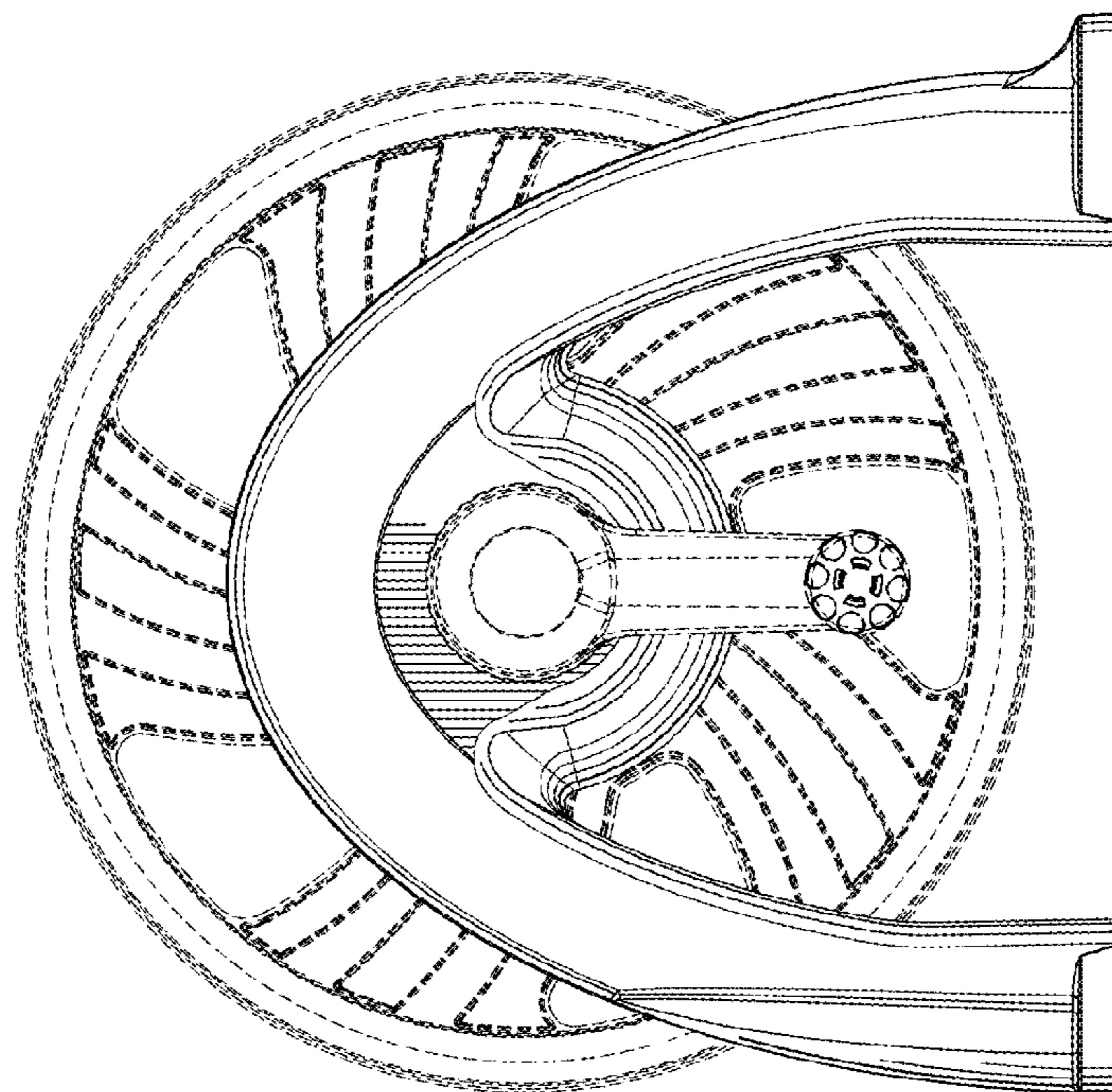


FIG. 4

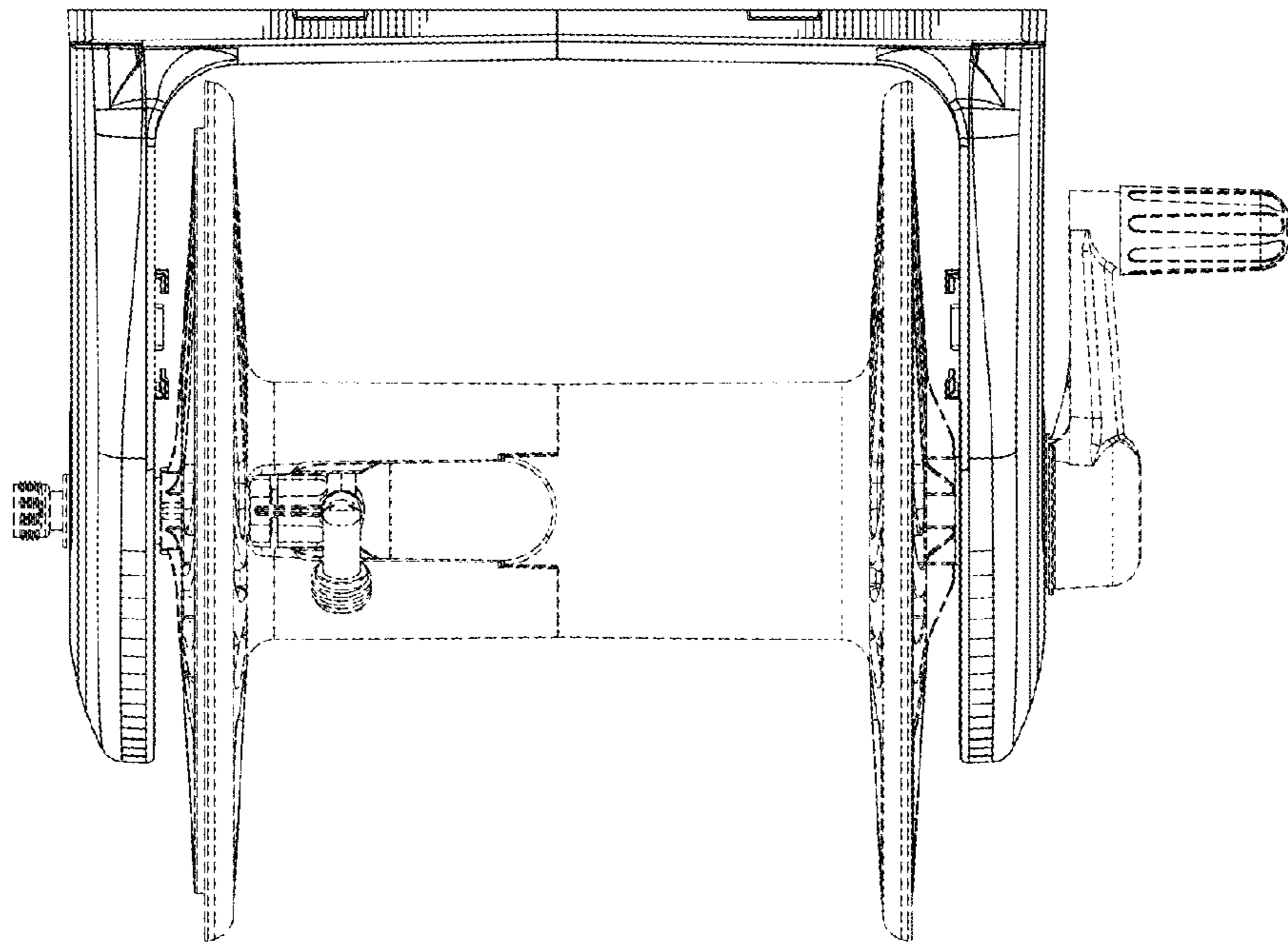


FIG. 5

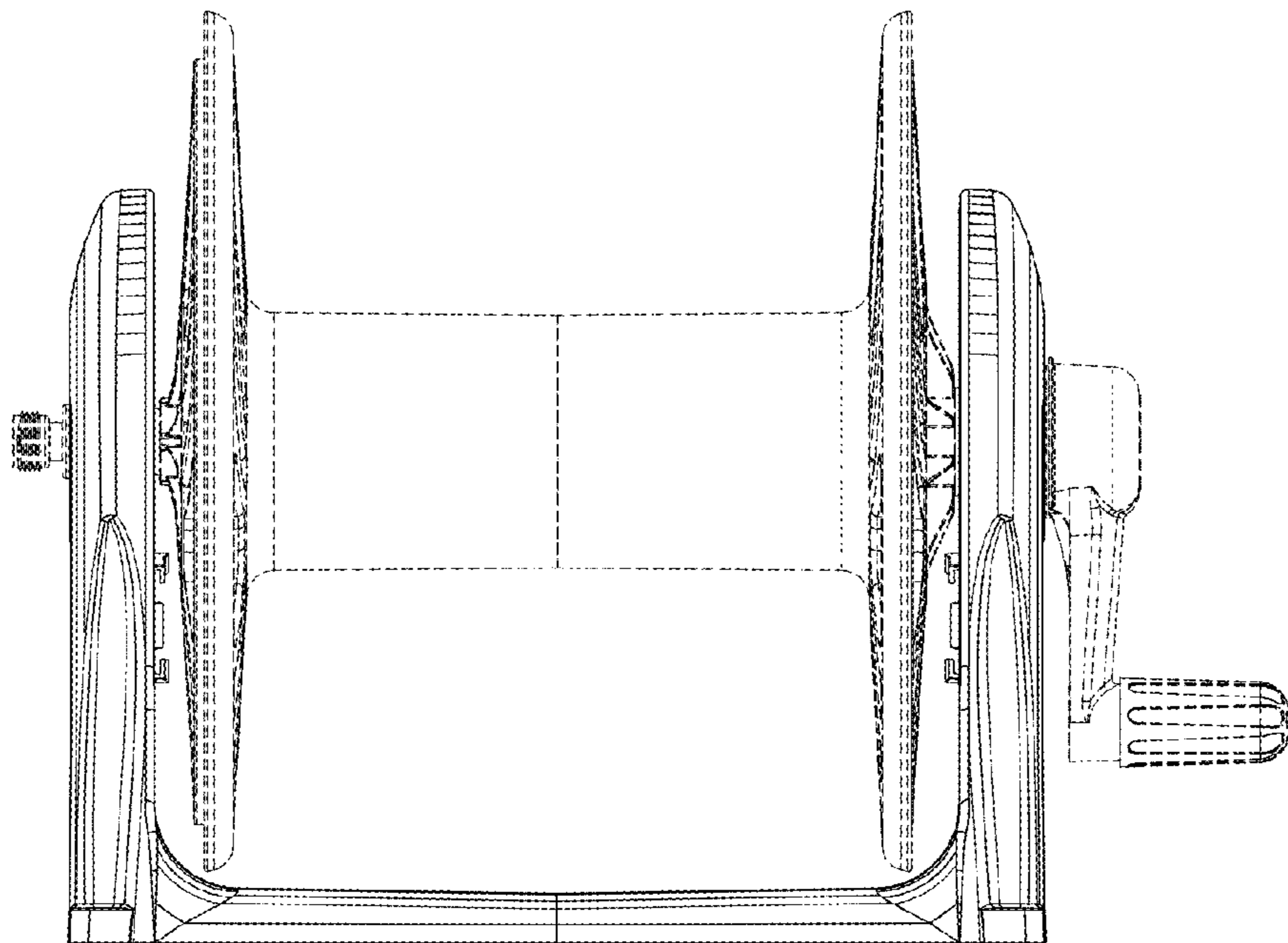


FIG. 6