



US00D704034S

(12) **United States Design Patent**
Larsen et al.

(10) **Patent No.:** **US D704,034 S**

(45) **Date of Patent:** **** May 6, 2014**

(54) **SECURITY INSERT FOR LAUNDRY
MACHINE COIN BOX**

(56) **References Cited**

U.S. PATENT DOCUMENTS

(71) Applicant: **Phelps Apartment Laundries Ltd.,**
Richmond (CA)

3,843,043	A *	10/1974	Sciortino	232/15
3,926,366	A *	12/1975	Sciortino	232/15
4,177,920	A *	12/1979	Sciortino	232/16
4,194,775	A *	3/1980	Shea	292/307 R
D269,063	S *	5/1983	Gill	D8/343
D302,239	S *	7/1989	Russell et al.	D8/366
D303,350	S *	9/1989	Russell et al.	D8/343
D308,010	S *	5/1990	Russell et al.	D8/343
5,044,483	A *	9/1991	Stefan	194/350
D338,391	S *	8/1993	Price	D8/359
D557,108	S *	12/2007	Navin	D8/346
D672,220	S *	12/2012	Womacks	D8/346
8,540,300	B1 *	9/2013	Merkel	296/37.8

(72) Inventors: **Phil Larsen,** Richmond (CA); **Kim
Nathe,** Surrey (CA)

(73) Assignee: **Phelps Apartment Laundries Ltd.,**
Richmond, BC (CA)

(**) Term: **14 Years**

* cited by examiner

(21) Appl. No.: **29/448,801**

Primary Examiner — Prabhakar Deshmukh

(22) Filed: **Mar. 13, 2013**

(74) *Attorney, Agent, or Firm* — Oyen Wiggs Green & Mutala LLP

(30) **Foreign Application Priority Data**

Mar. 5, 2013 (CA) 150114

(57) **CLAIM**

The ornamental design for a security insert for laundry machine coin box, as shown and described.

(51) **LOC (10) Cl.** **08-07**

DESCRIPTION

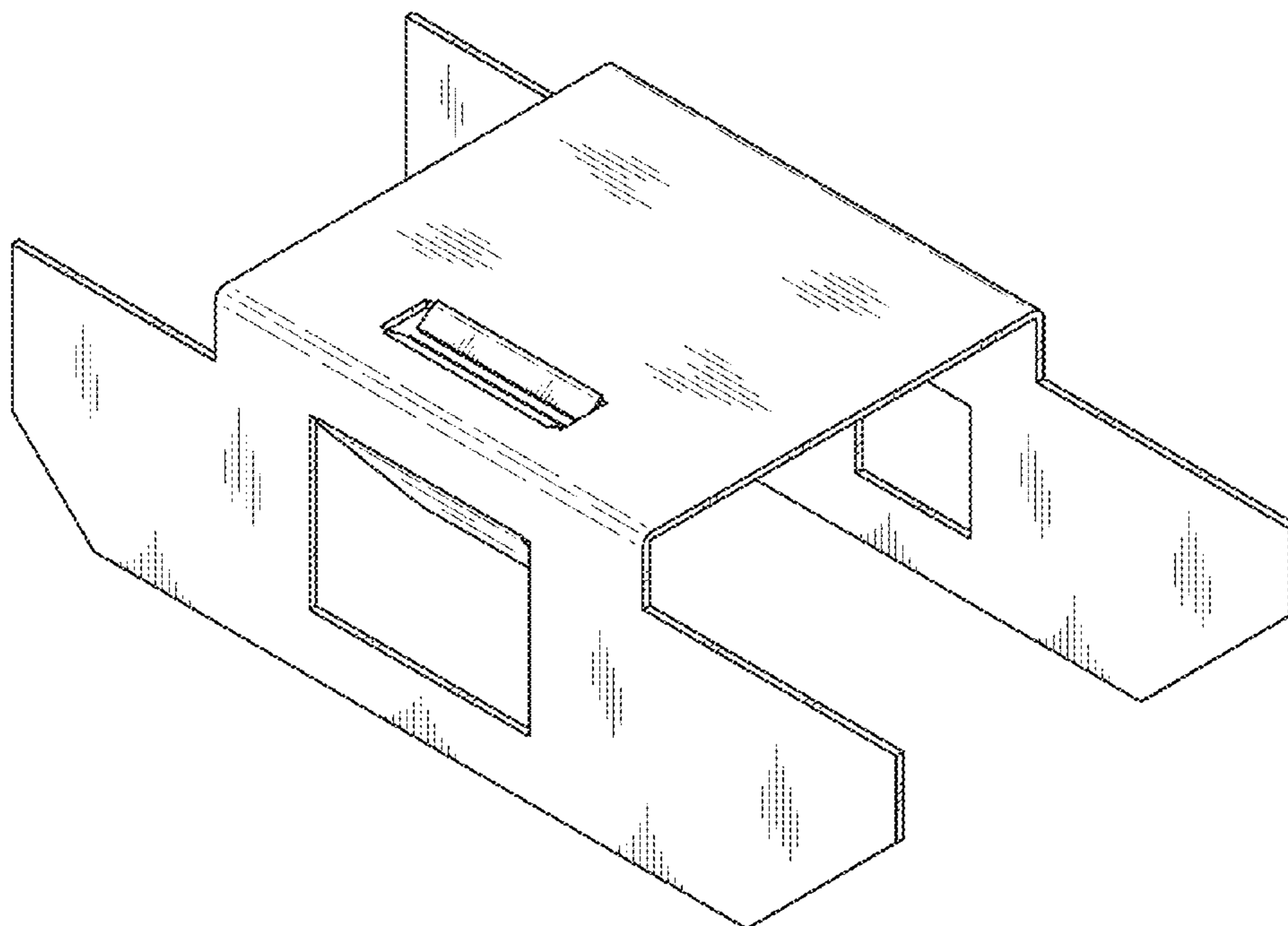
(52) **U.S. Cl.**
USPC **D8/346**

FIG. 1 is a perspective view of a security insert for laundry machine coin box showing our new design;
FIG. 2 is a front view thereof;
FIG. 3 is a back view thereof;
FIG. 4 is a top view thereof;
FIG. 5 is a bottom view thereof;
FIG. 6 is a right side view thereof; and,
FIG. 7 is a left side view thereof.

(58) **Field of Classification Search**
USPC D8/330-338; 70/1, 158, 14, 51-55,
70/57.1, 333 R, 431; 292/341.14, 346, 351,
292/DIG. 11, DIG. 14, 307 R; 232/12, 15,
232/16, 64-66

See application file for complete search history.

1 Claim, 4 Drawing Sheets



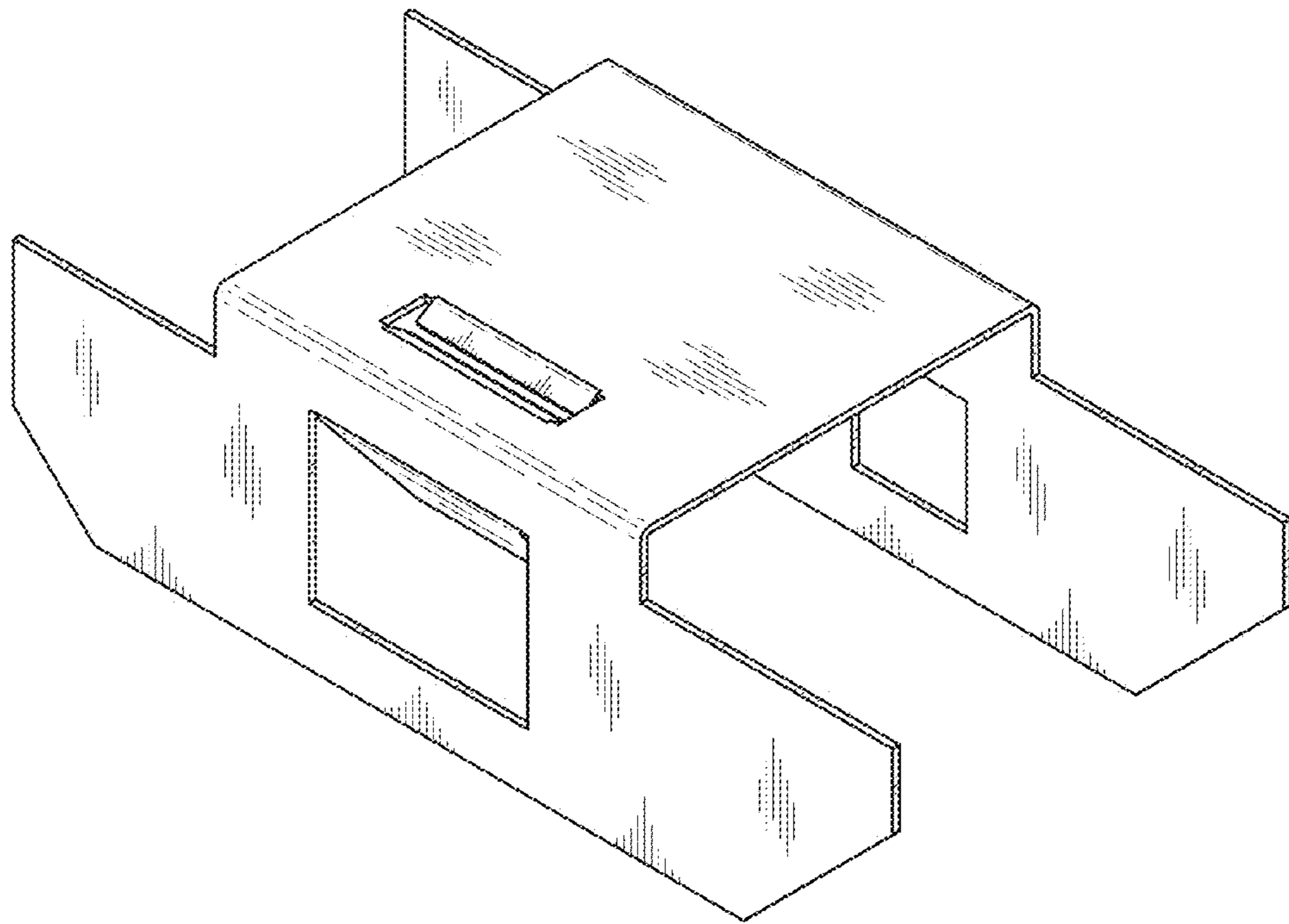


FIG. 1

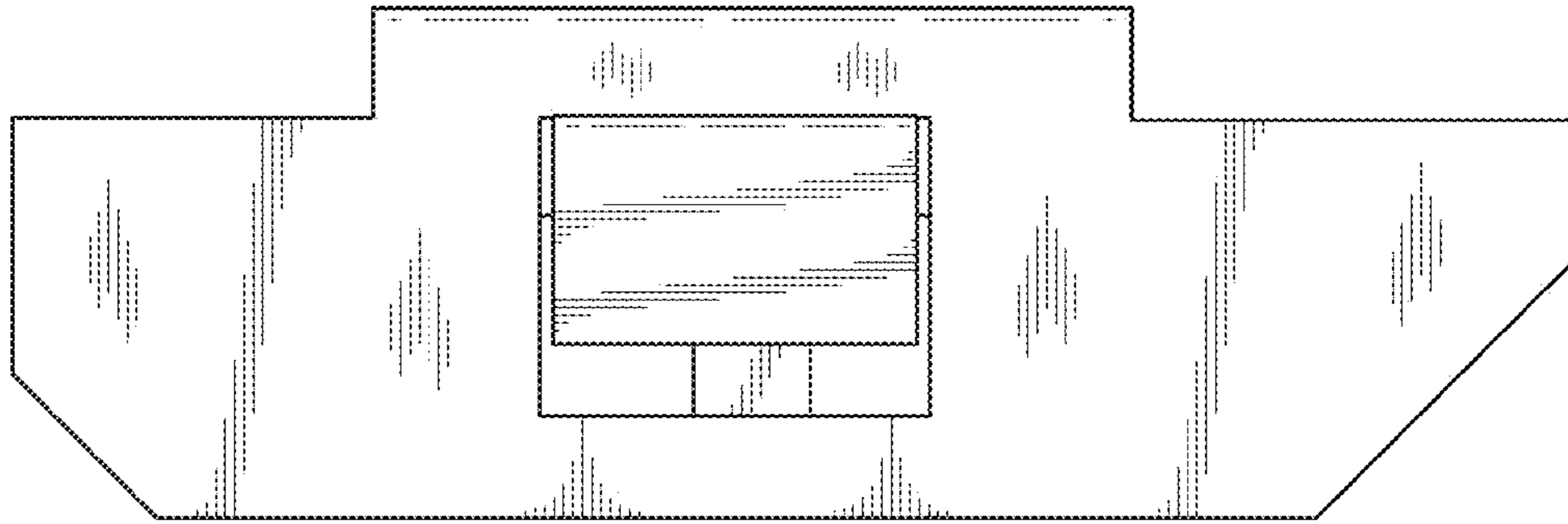


FIG. 2

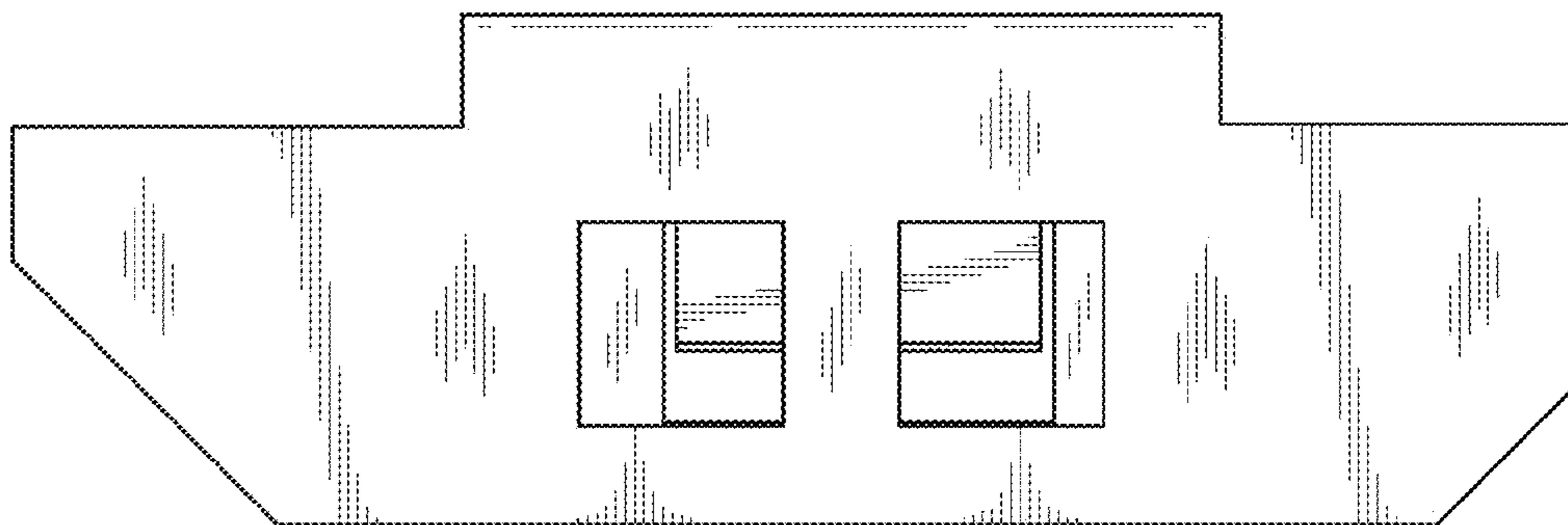


FIG. 3

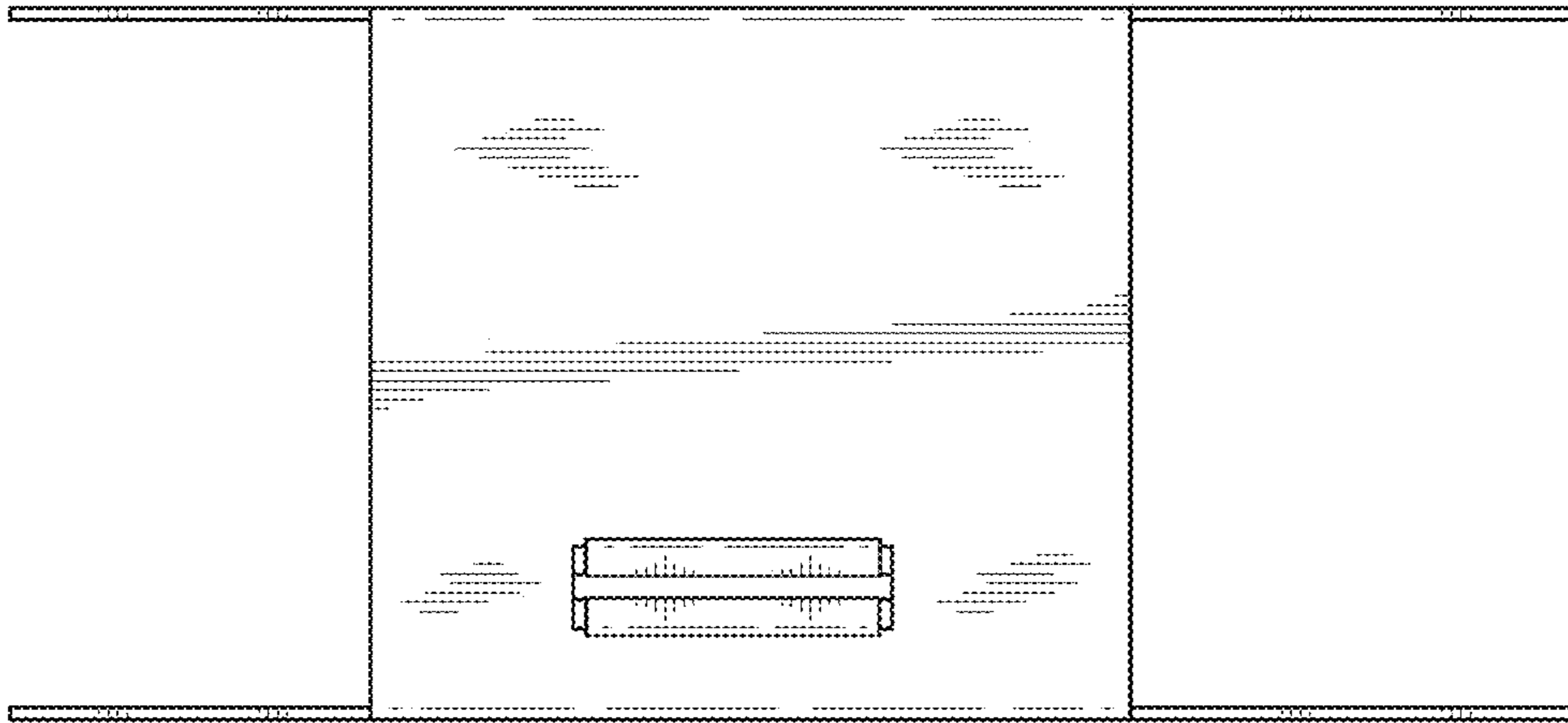


FIG. 4

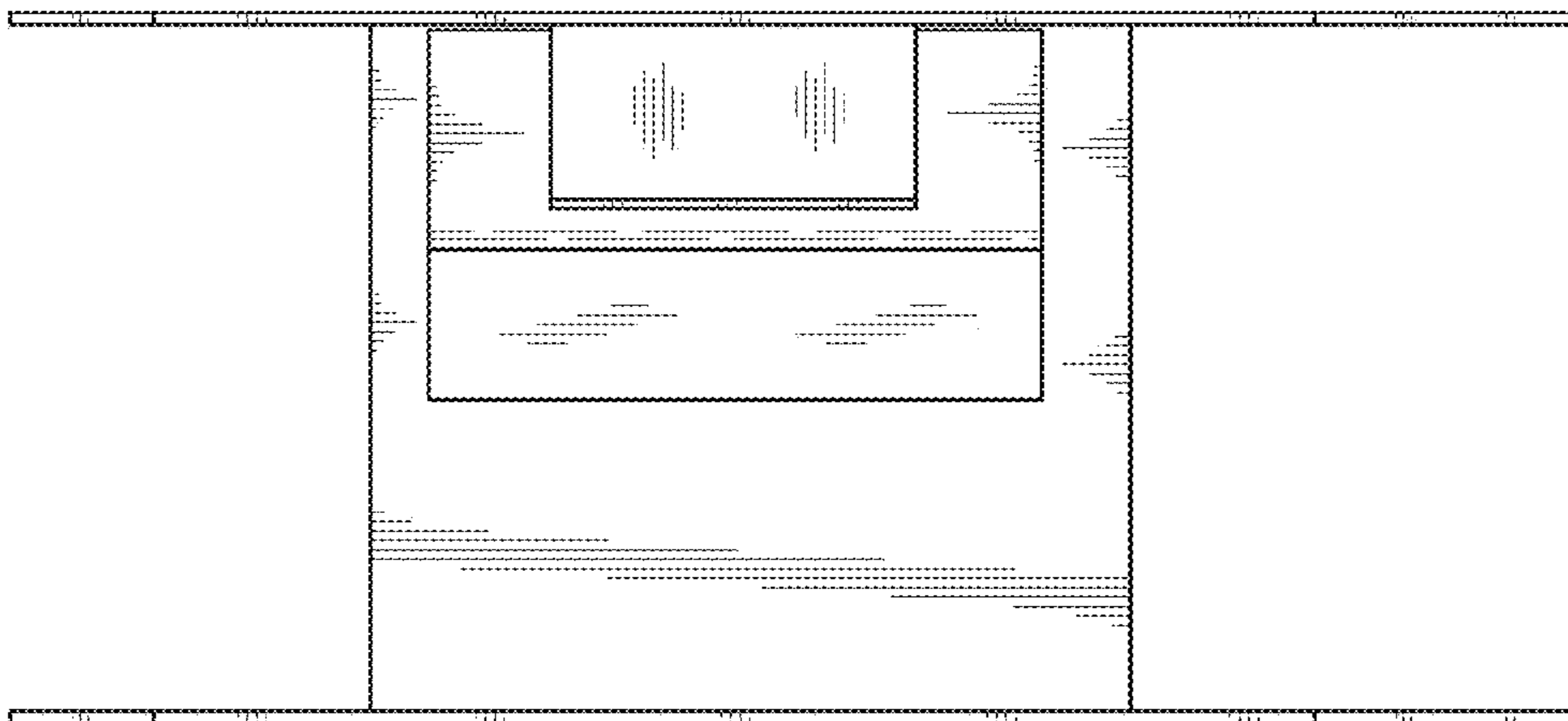


FIG. 5

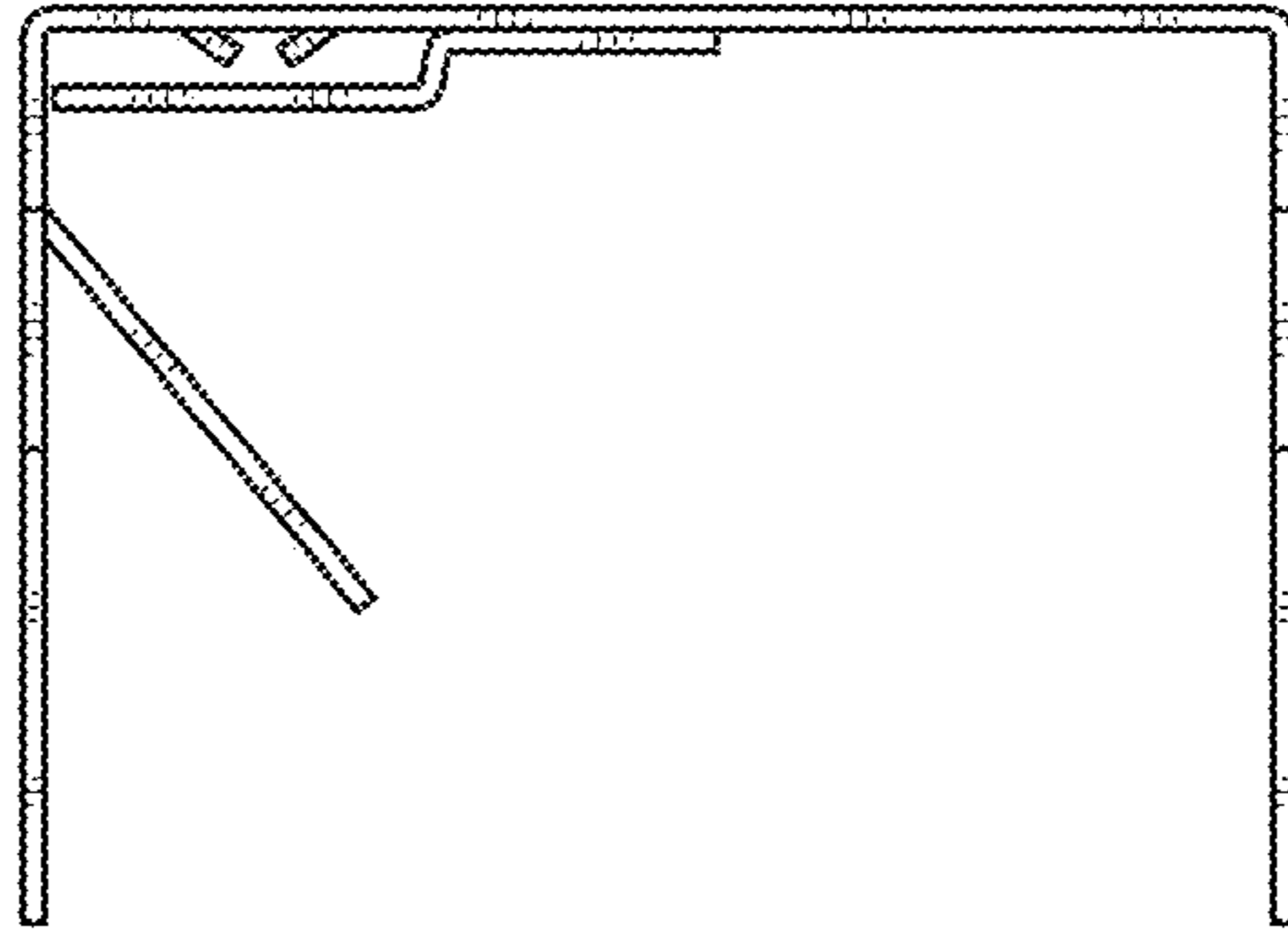


FIG. 6

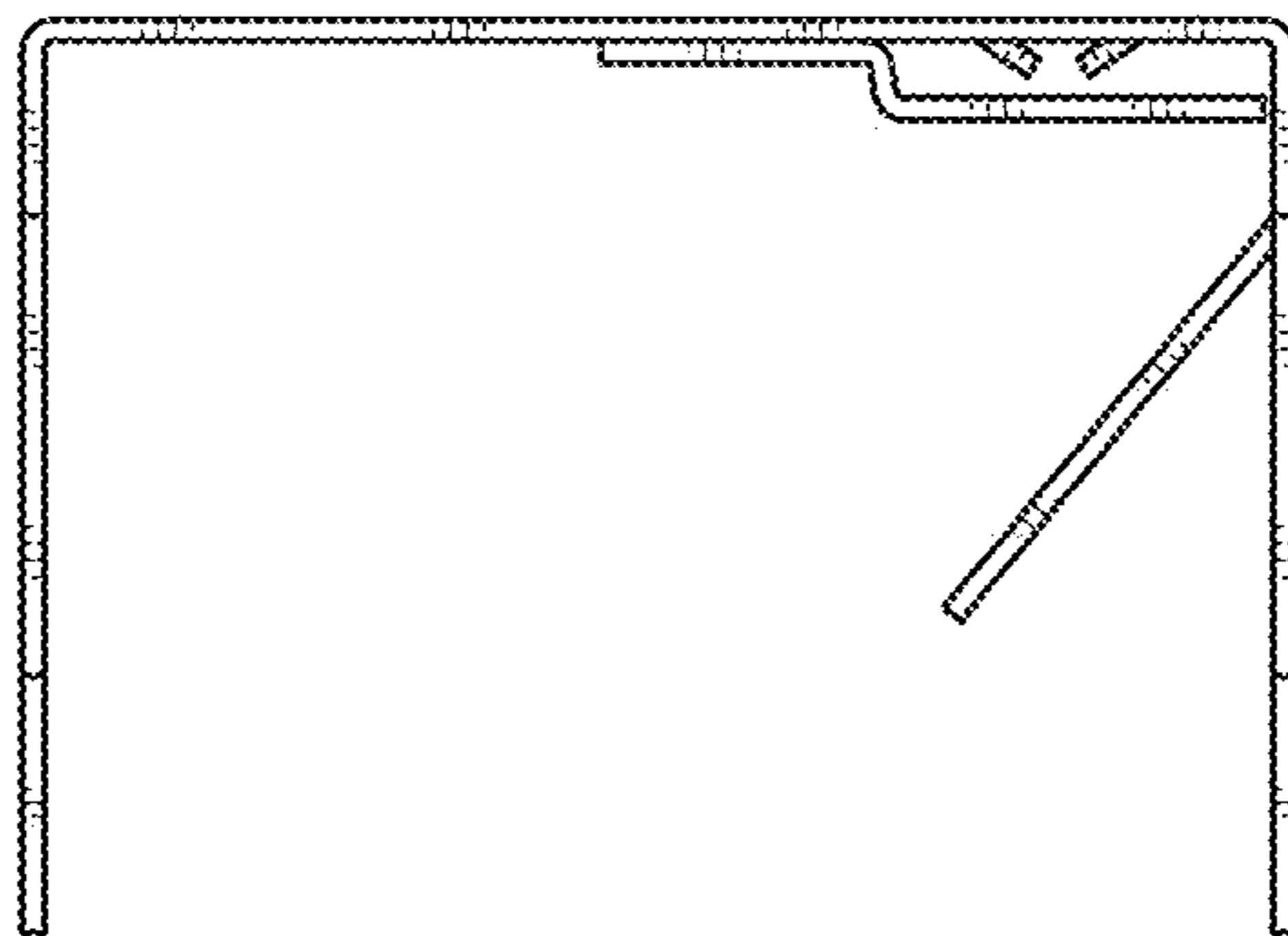


FIG. 7