



US00D704030S

(12) **United States Design Patent**  
**Jou**

(10) **Patent No.:** **US D704,030 S**

(45) **Date of Patent:** **\*\* May 6, 2014**

(54) **CABINET PULL**

(71) Applicant: **Century America, LLC**, Kentwood, MI (US)

(72) Inventor: **Soub Yann Jou**, Kentwood, MI (US)

(73) Assignee: **Century America, LLC**, Kentwood, MI (US)

(\*\*) Term: **14 Years**

(21) Appl. No.: **29/452,351**

(22) Filed: **Apr. 15, 2013**

(51) **LOC (10) Cl.** ..... **08-06**

(52) **U.S. Cl.**  
CPC ..... **B25G 1/04** (2013.01)  
USPC ..... **D8/315**

(58) **Field of Classification Search**  
CPC ..... B25G 1/04  
USPC ..... D8/300, 315, 316-321, DIG. 1; D6/549;  
D7/394; 16/110.1, 412, 415-420,  
16/443-446; 292/336.3  
See application file for complete search history.

(56) **References Cited**

**U.S. PATENT DOCUMENTS**

D150,342 S *	7/1948	Felver .....	D8/319
D169,414 S *	4/1953	Budai .....	D8/319
D169,533 S *	5/1953	Deadrick .....	D8/319
D175,751 S *	10/1955	Aleks .....	D8/317
D187,131 S *	2/1960	Westman .....	D8/317
D187,521 S *	3/1960	Westman .....	D8/317
D197,961 S *	4/1964	Heyer .....	D8/317
D200,953 S *	4/1965	Meneses .....	D8/317

D219,702 S *	1/1971	Korol .....	D8/316
D295,827 S *	5/1988	Benjamin .....	D8/317
D343,107 S *	1/1994	Fulton .....	D8/315
D399,406 S *	10/1998	Decursu et al. ....	D8/317
D403,230 S *	12/1998	Ziemer et al. ....	D8/317
D431,444 S *	10/2000	Short .....	D8/316
D530,590 S *	10/2006	Singtoroj et al. ....	D8/302
D551,056 S *	9/2007	Ricereto .....	D8/317
D563,197 S *	3/2008	Lowe .....	D8/316
D569,704 S *	5/2008	Ricereto .....	D8/315
D570,185 S *	6/2008	Hanes .....	D8/315
D570,646 S *	6/2008	Jeon .....	D7/402
D579,310 S *	10/2008	Suh et al. ....	D8/315
D587,557 S *	3/2009	Calatrava Valls .....	D8/318
D597,396 S *	8/2009	Menzies .....	D8/315
D598,270 S *	8/2009	Hanes .....	D8/317
D611,323 S *	3/2010	Koskela .....	D8/316
D612,677 S *	3/2010	Jeon .....	D7/402
D653,933 S *	2/2012	Mattson .....	D8/305

\* cited by examiner

*Primary Examiner* — Paula Greene

(74) *Attorney, Agent, or Firm* — Barnes & Thornburg LLP

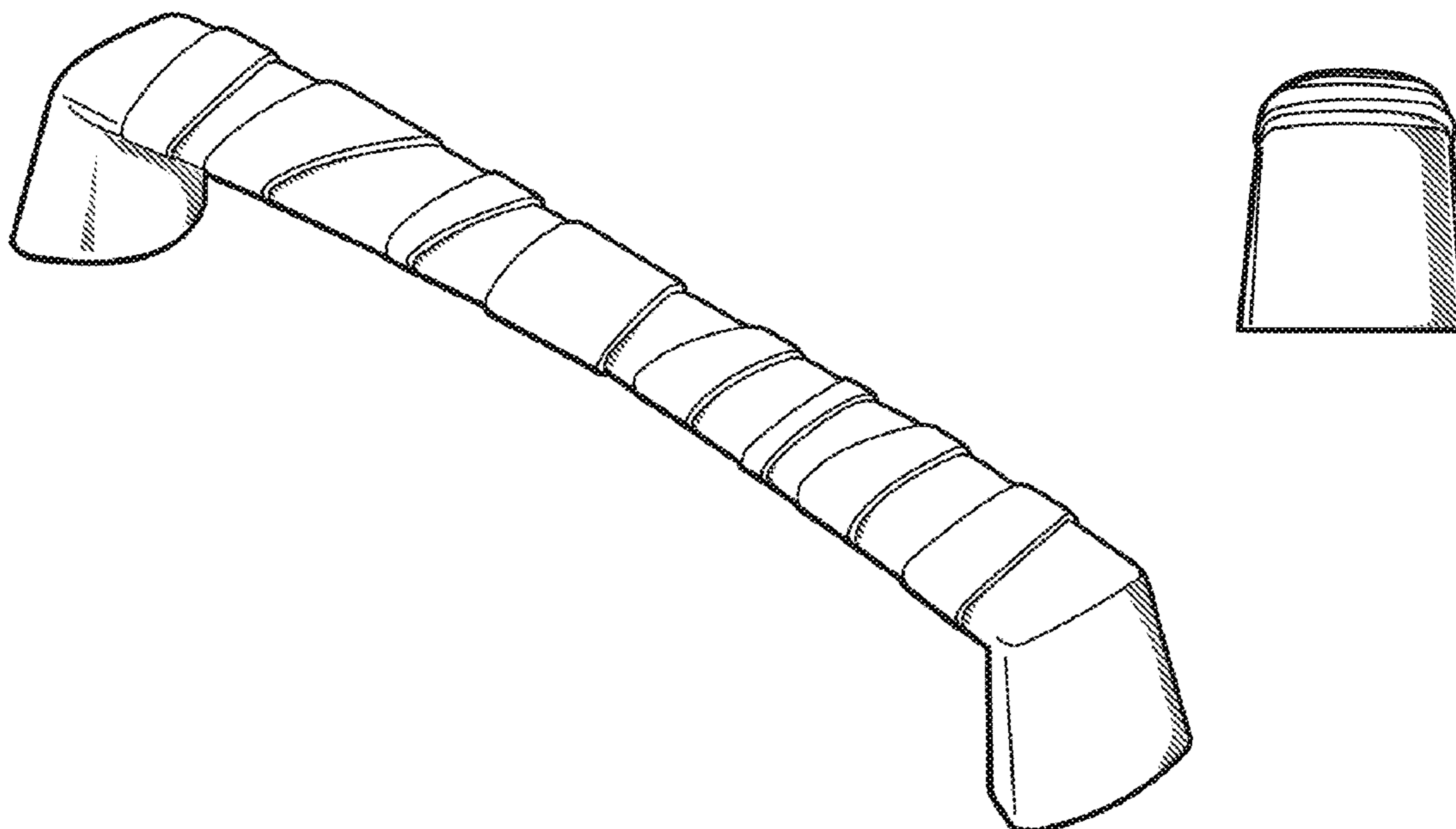
(57) **CLAIM**

What is claimed is the ornamental design for a cabinet pull, as shown and described.

**DESCRIPTION**

FIG. 1 is a perspective view of a knob;  
FIG. 2 is a side view thereof;  
FIG. 3 is a side view thereof;  
FIG. 4 is a front view thereof; and  
FIG. 5 is a rear view thereof;  
FIG. 6 is a top plan view thereof; and,  
FIG. 7 is a bottom view thereof.

**1 Claim, 1 Drawing Sheet**



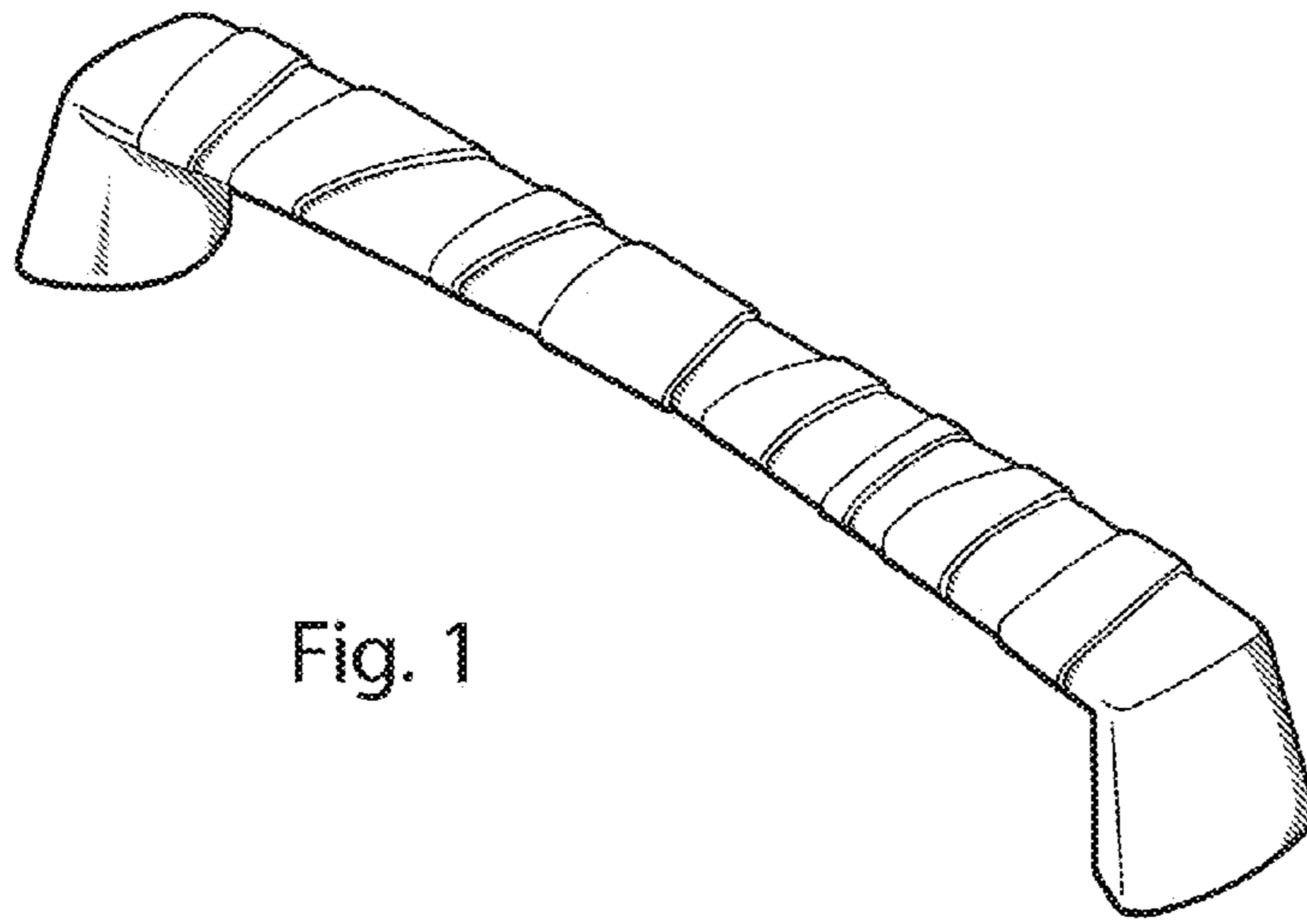


Fig. 1

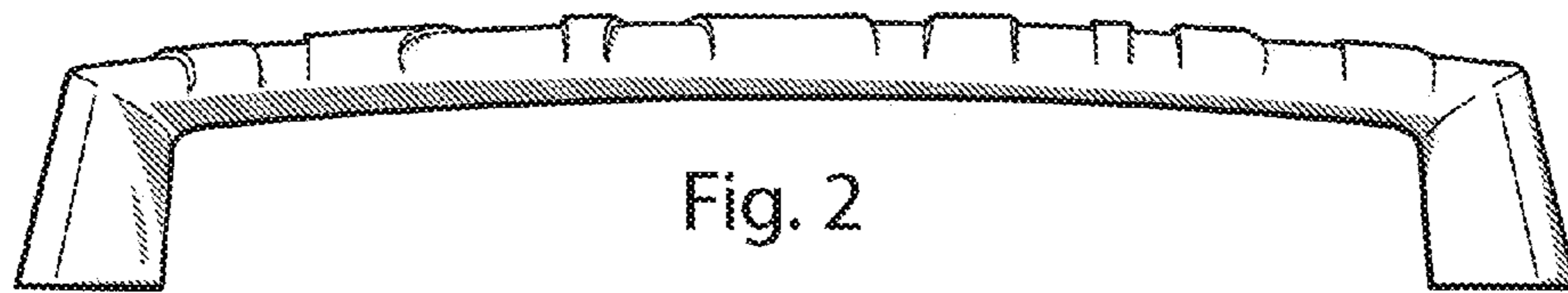


Fig. 2

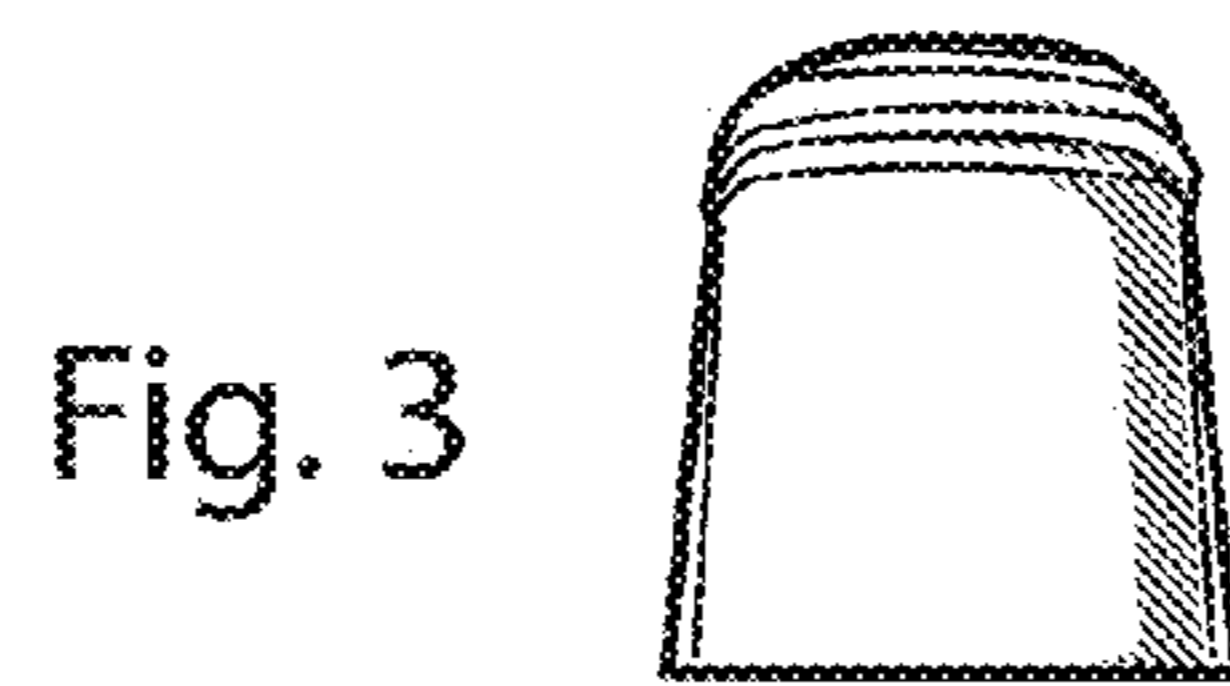


Fig. 3

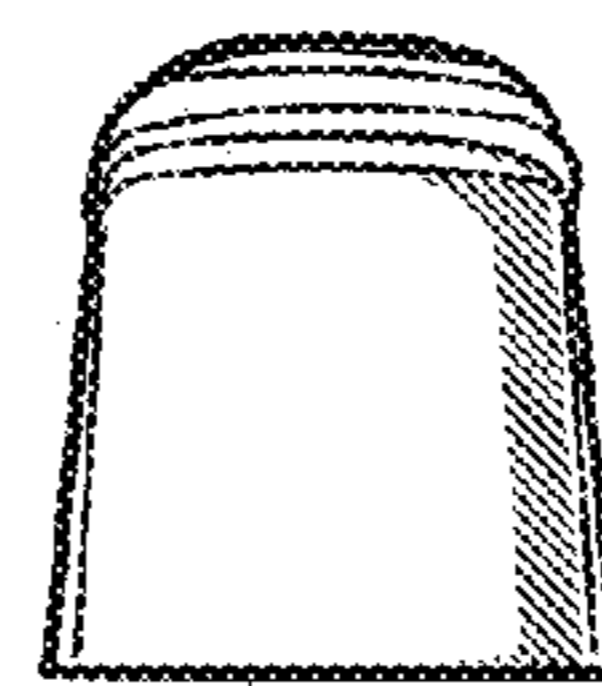


Fig. 4

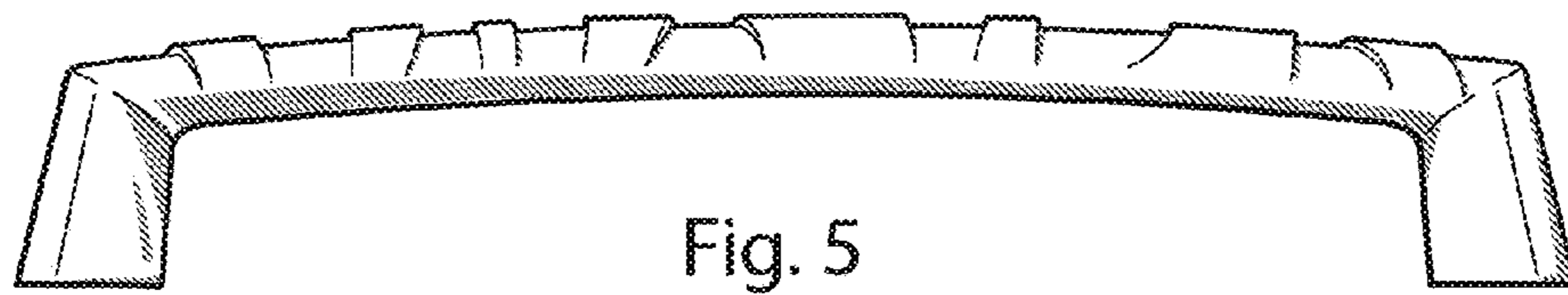


Fig. 5

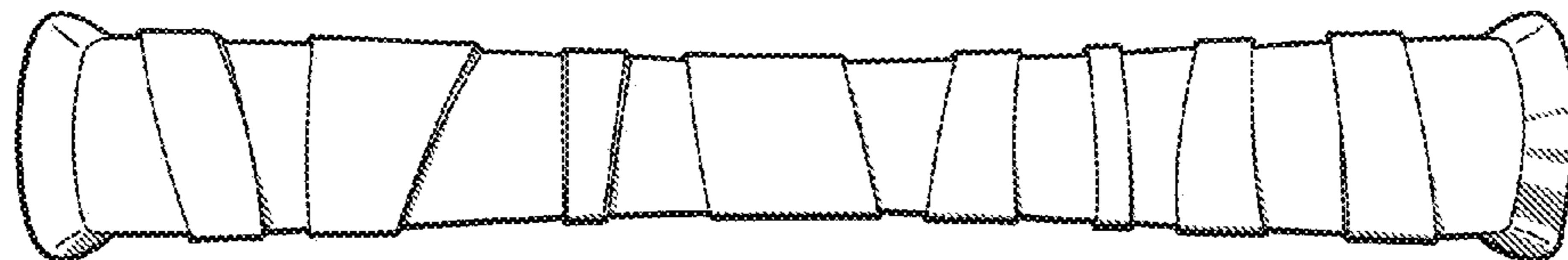


Fig. 6

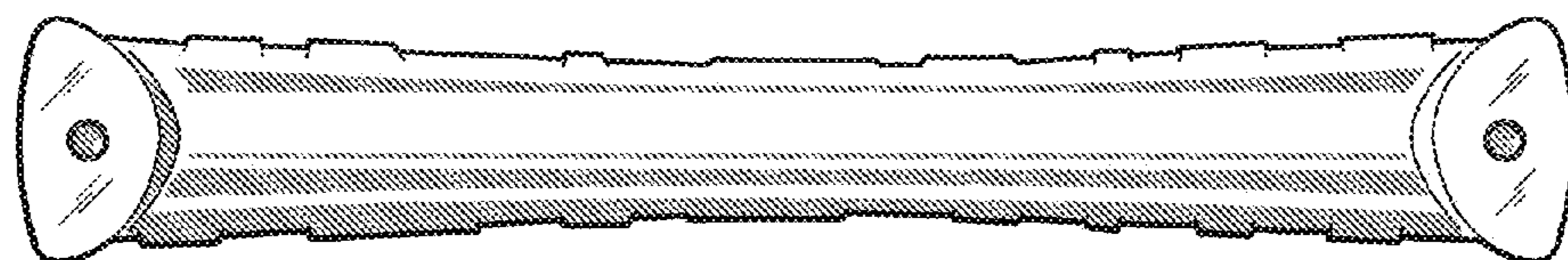


Fig. 7