



US00D704029S

(12) **United States Design Patent**
Jou

(10) **Patent No.:** **US D704,029 S**

(45) **Date of Patent:** **** May 6, 2014**

(54) **KNOB**

(71) Applicant: **Century America, LLC**, Kentwood, MI (US)

(72) Inventor: **Soub Yann Jou**, Kentwood, MI (US)

(73) Assignee: **Century America, LLC**, Kentwood, MI (US)

(**) Term: **14 Years**

(21) Appl. No.: **29/452,336**

(22) Filed: **Apr. 15, 2013**

(51) **LOC (10) Cl.** **08-06**

(52) **U.S. Cl.**
USPC **D8/310**

(58) **Field of Classification Search**
USPC D8/307, 310, 300, DIG. 1, DIG. 2;
16/110.1, 417, DIG. 30, DIG. 32;
292/223.3, 347; D11/222, 223

See application file for complete search history.

(56) **References Cited**

U.S. PATENT DOCUMENTS

D90,440 S * 8/1933 Haas D11/222
D102,288 S * 12/1936 Murrin D8/314

2,190,192 A * 2/1940 Raymond 16/417
D297,211 S * 8/1988 Rhoades D8/310
D324,479 S * 3/1992 Tinz D8/310
D355,838 S * 2/1995 Chieda D8/312
D361,257 S * 8/1995 Chieda D8/312
D370,613 S * 6/1996 Ainscough D8/307
D373,065 S * 8/1996 De'Armond D8/310
D567,057 S * 4/2008 Tor Verges D8/307
D602,333 S * 10/2009 Hanes D8/307
D603,242 S * 11/2009 Koskela D8/307
D680,404 S * 4/2013 Ramsland et al. D8/300
D680,410 S * 4/2013 Ramsland et al. D8/310

* cited by examiner

Primary Examiner — Paula Greene

(74) *Attorney, Agent, or Firm* — Barnes & Thornburg LLP

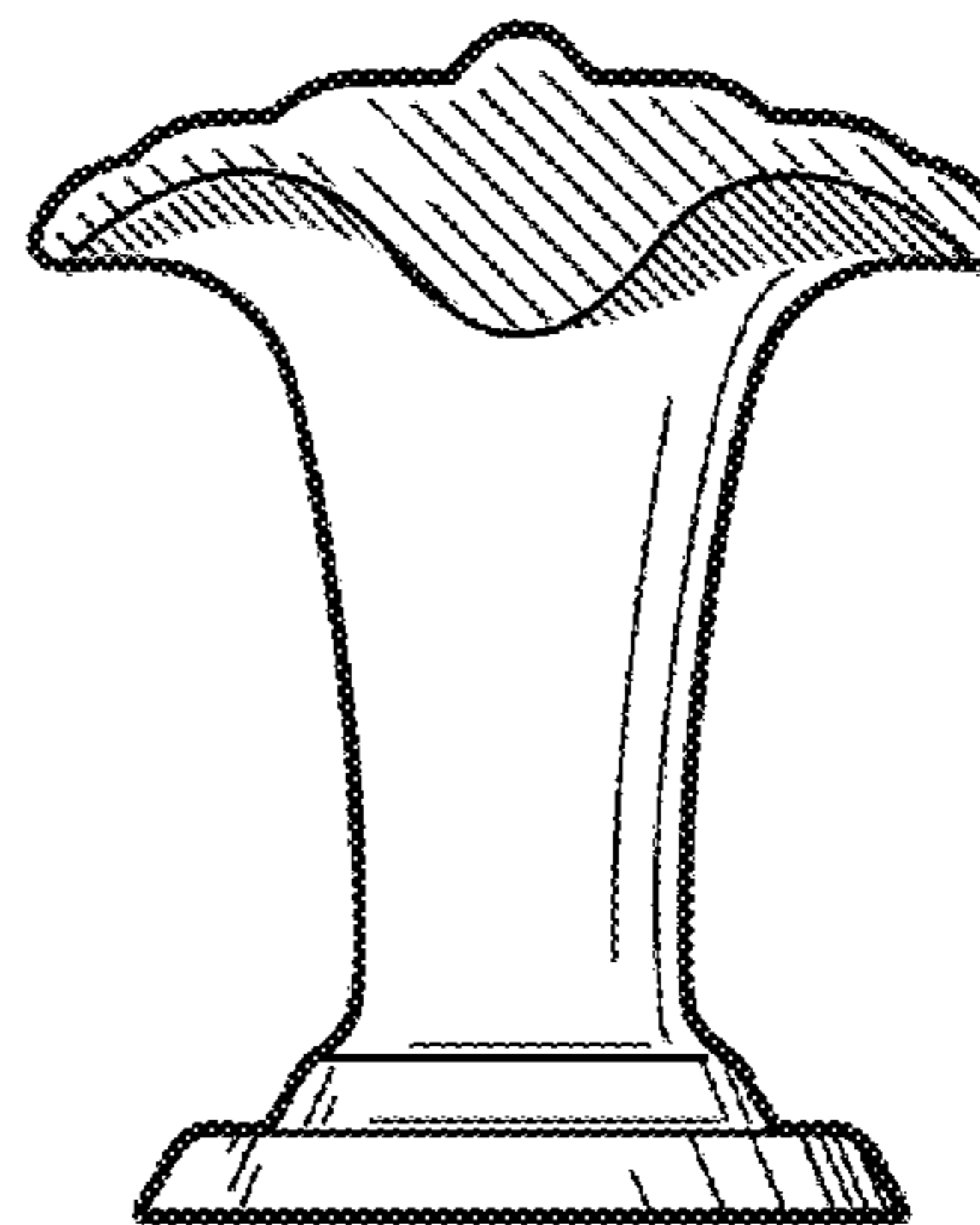
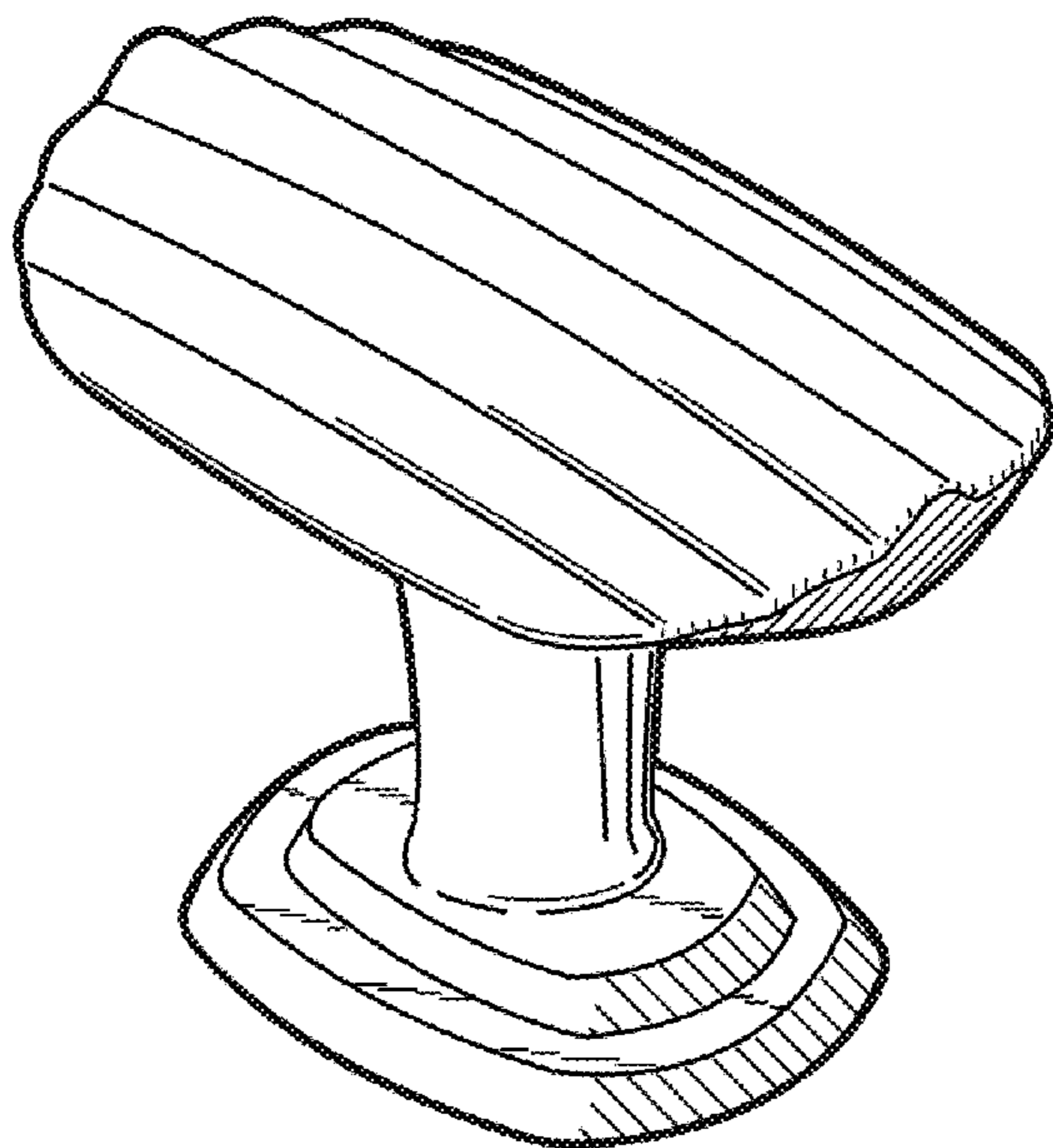
(57) **CLAIM**

What is claimed is the ornamental design for a knob, as shown and described.

DESCRIPTION

FIG. 1 is a perspective view of a knob;
FIG. 2 is a top or bottom side view thereof;
FIG. 3 is a left or right side view thereof;
FIG. 4 is a front view thereof; and,
FIG. 5 is a rear view thereof.

1 Claim, 1 Drawing Sheet



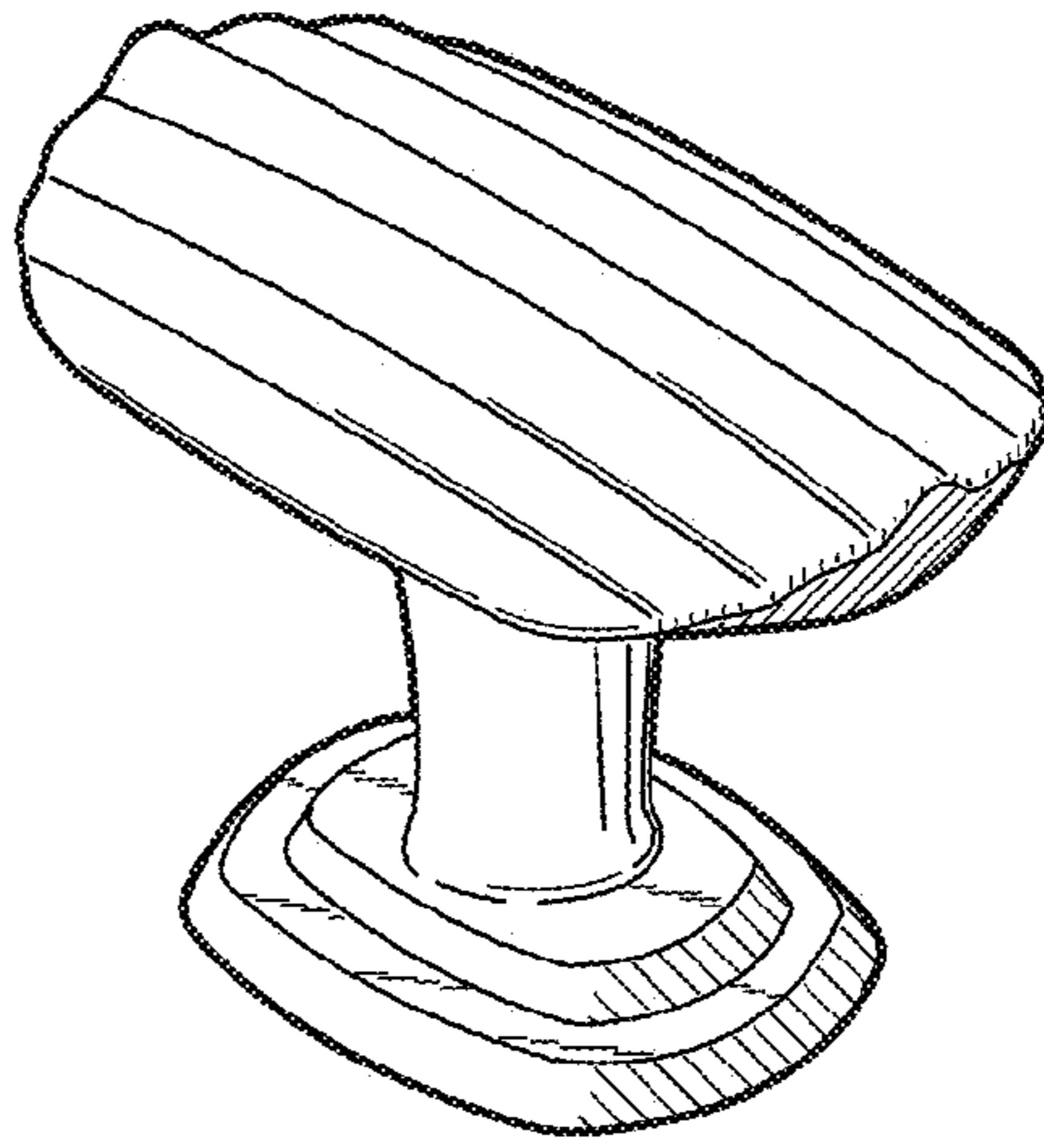


Fig. 1

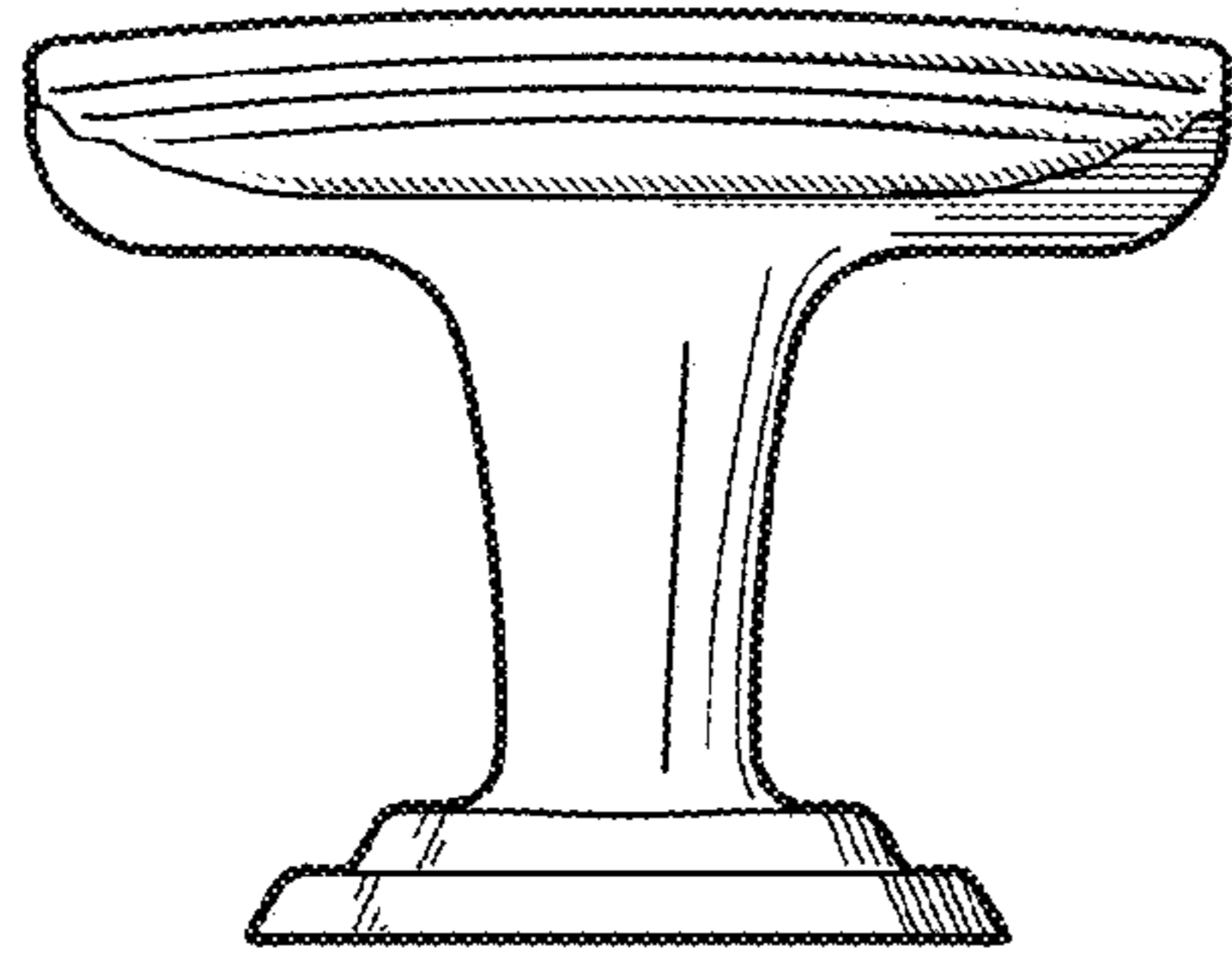


Fig. 2

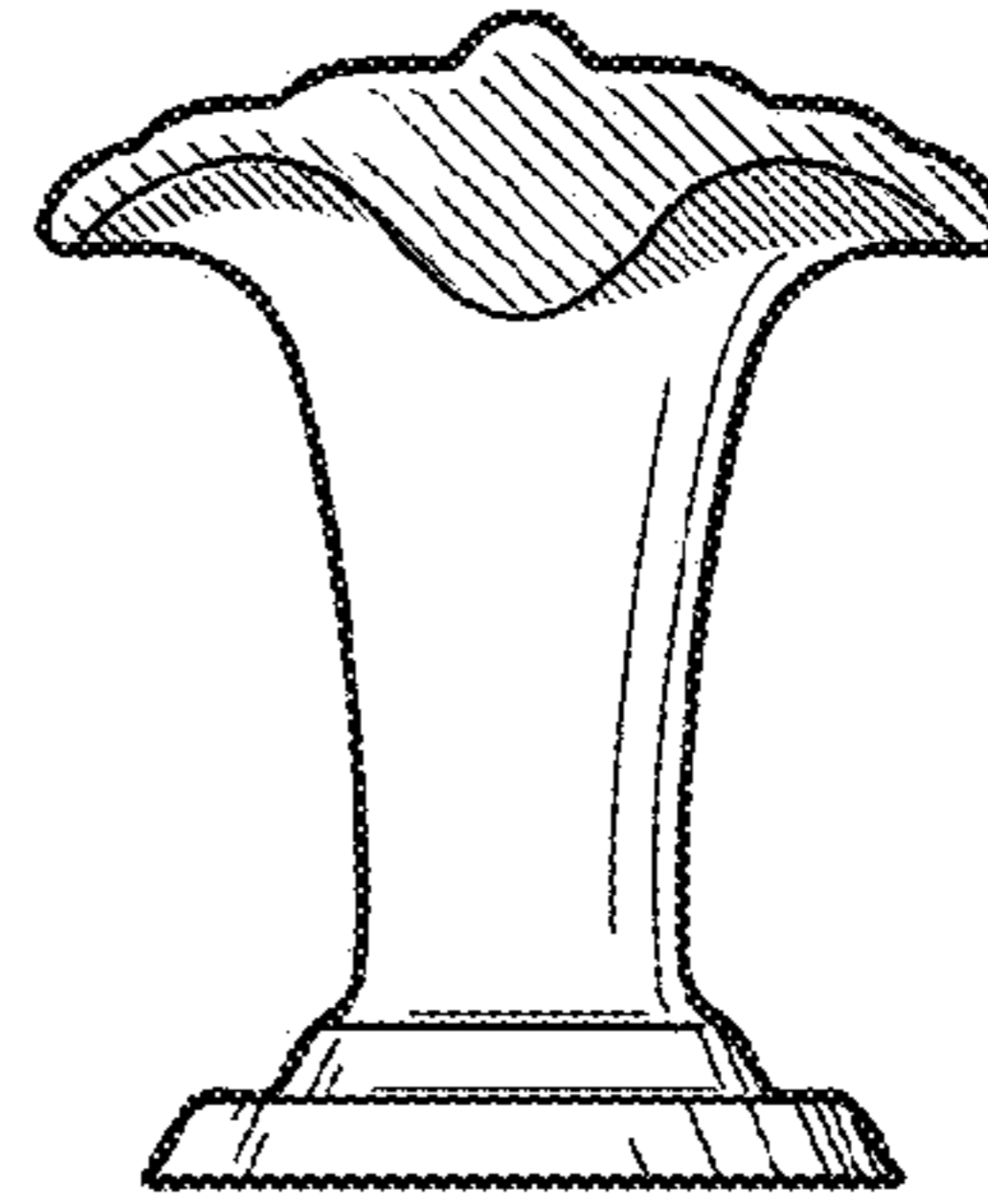


Fig. 3

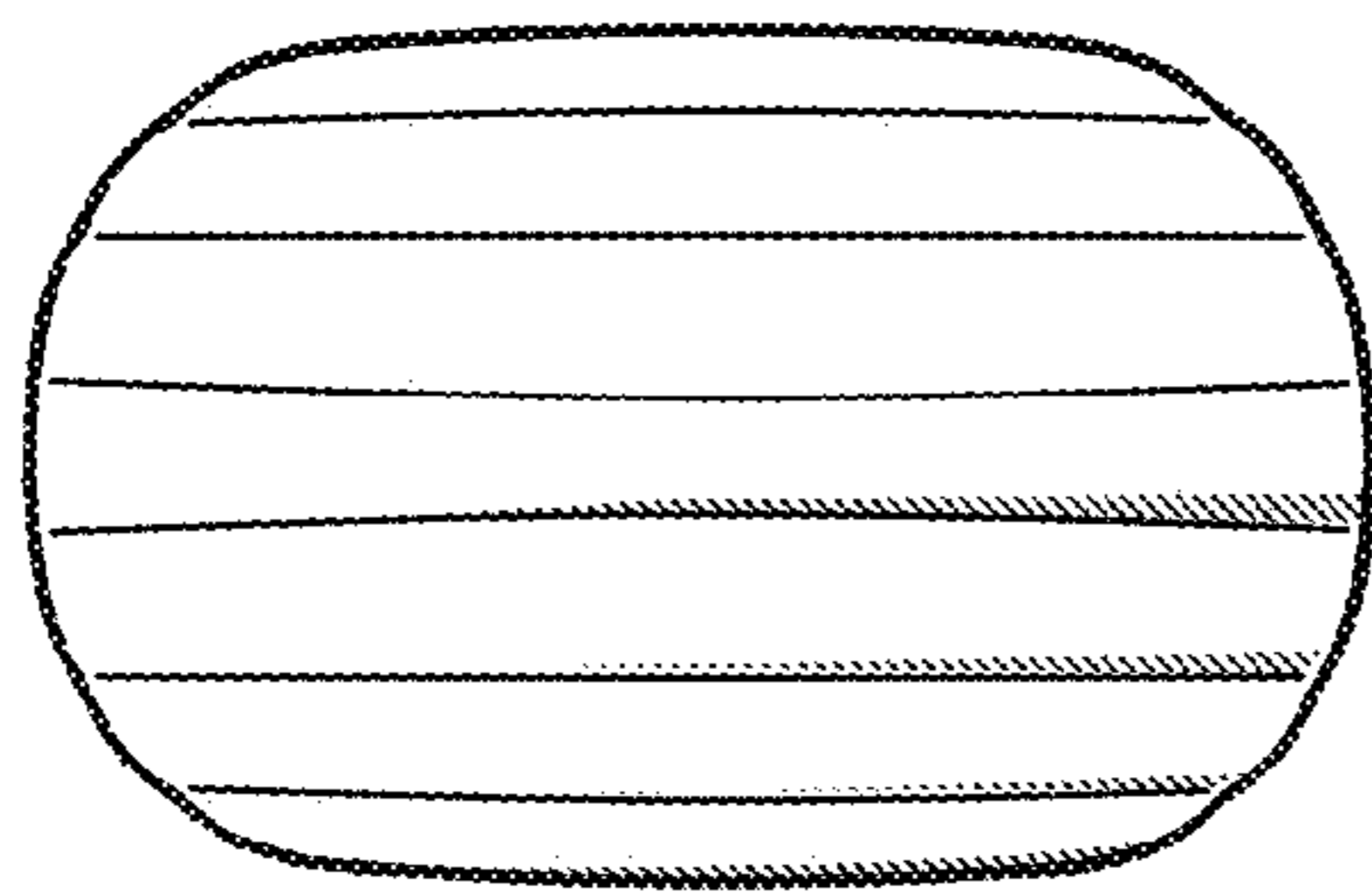


Fig. 4

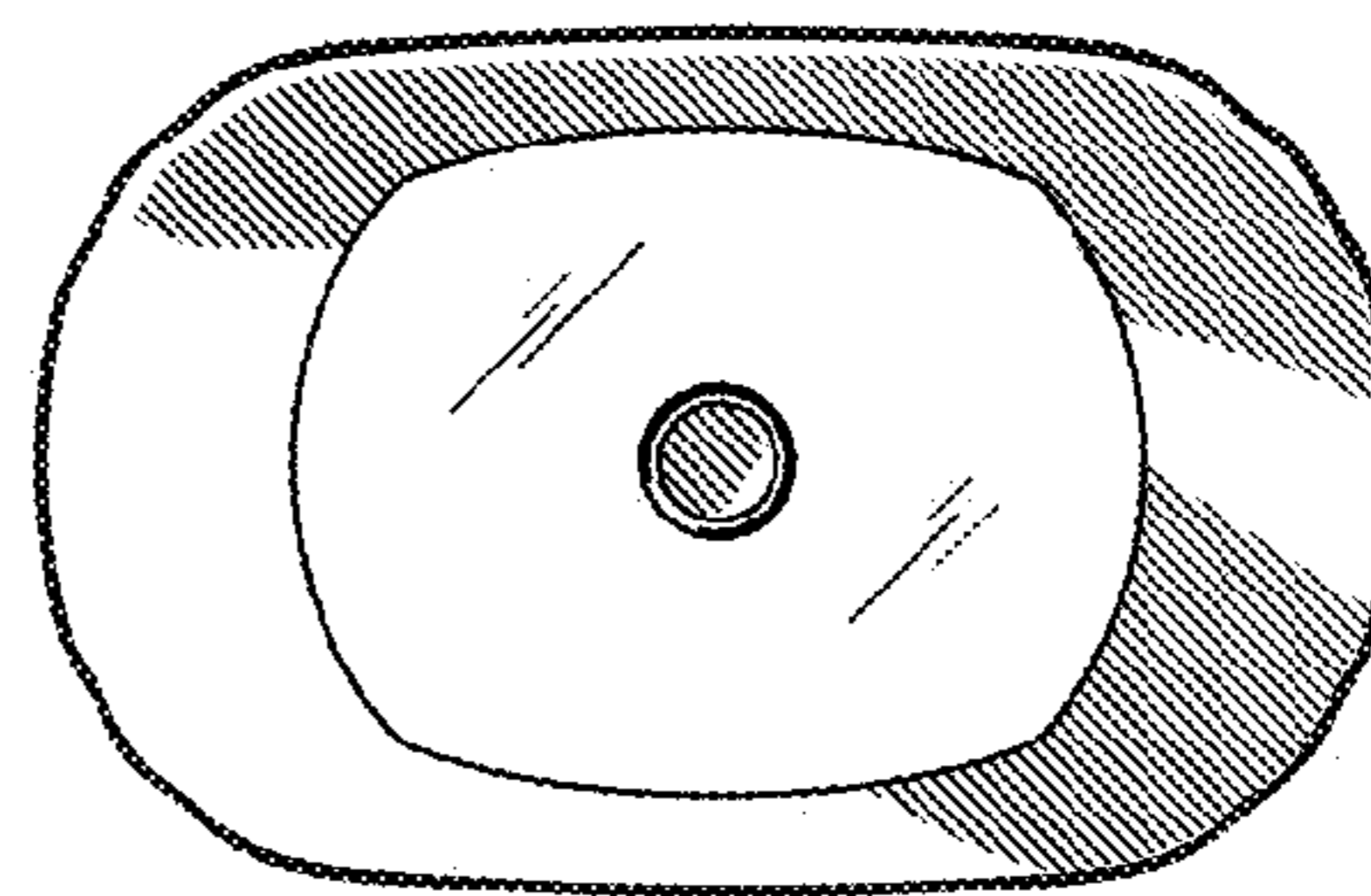


Fig. 5