



US00D704027S

(12) **United States Design Patent**
Trunek et al.

(10) **Patent No.:** **US D704,027 S**

(45) **Date of Patent:** **** May 6, 2014**

- (54) **LEVER DOOR HANDLE LOCK**
- (71) Applicant: **Elbee Pty Ltd.**, Bondi Junction (AU)
- (72) Inventors: **Christopher Trunek**, Salt Lake City, UT (US); **Paul Timothy Harrison**, Gahanna, OH (US)
- (73) Assignee: **Elbee Pty Ltd.**, Bondi Junction (AU)
- (**) Term: **14 Years**
- (21) Appl. No.: **29/441,725**
- (22) Filed: **Jan. 9, 2013**
- (51) **LOC (10) Cl.** **08-06**
- (52) **U.S. Cl.**
CPC **B25G 1/04** (2013.01)
USPC **D8/308**
- (58) **Field of Classification Search**
CPC B25G 1/04
USPC D8/300, 307, 308; D23/250, 252, 254;
292/336.3; 16/110.1, 412, 444
See application file for complete search history.

(56) **References Cited**

U.S. PATENT DOCUMENTS

D131,217 S *	1/1942	Braun	D8/308
D189,524 S *	1/1961	Savage	D8/302
D190,562 S *	6/1961	Schultz	D8/302
D197,400 S *	1/1964	Patriquin	D8/302
D208,375 S *	8/1967	Gilbert	D8/302
D238,928 S *	2/1976	Kipp	D8/107
D261,726 S *	11/1981	Valli	D8/301
D295,947 S *	5/1988	Valli	D8/308
D360,345 S *	7/1995	Swan et al.	D8/308
D395,220 S *	6/1998	Klinker	D8/308
6,068,308 A *	5/2000	Molzer	292/336.3
D426,871 S *	6/2000	Fleischmann	D23/252
D457,048 S *	5/2002	Zoerner et al.	D8/308
D457,050 S *	5/2002	Caspersz	D8/308

D457,415 S *	5/2002	Caspersz	D8/308
D464,119 S *	10/2002	Blomstrom	D23/252
D481,923 S *	11/2003	Char et al.	D8/302
D492,571 S *	7/2004	Linares	D8/308
D493,089 S *	7/2004	Samson et al.	D8/308
D502,857 S *	3/2005	Sato	D8/308
D509,421 S *	9/2005	Gehry	D8/300
D509,422 S *	9/2005	Gehry	D8/300
D529,783 S *	10/2006	Corcino	D8/301
D549,545 S *	8/2007	Schneider	D8/308
D575,133 S *	8/2008	Yamada et al.	D8/308

* cited by examiner

Primary Examiner — Paula Greene

(74) *Attorney, Agent, or Firm* — Wolf, Greenfield & Sacks, P.C.

(57) **CLAIM**

The ornamental design for lever door handle lock, as shown and described.

DESCRIPTION

FIG. 1 is a front perspective view of of the lever door handle lock;

FIG. 2 is a front view of the lever door handle lock of FIG. 1;

FIG. 3 is a rear view of the lever door handle lock of FIG. 1;

FIG. 4 is a right side view of the lever door handle lock of FIG. 1;

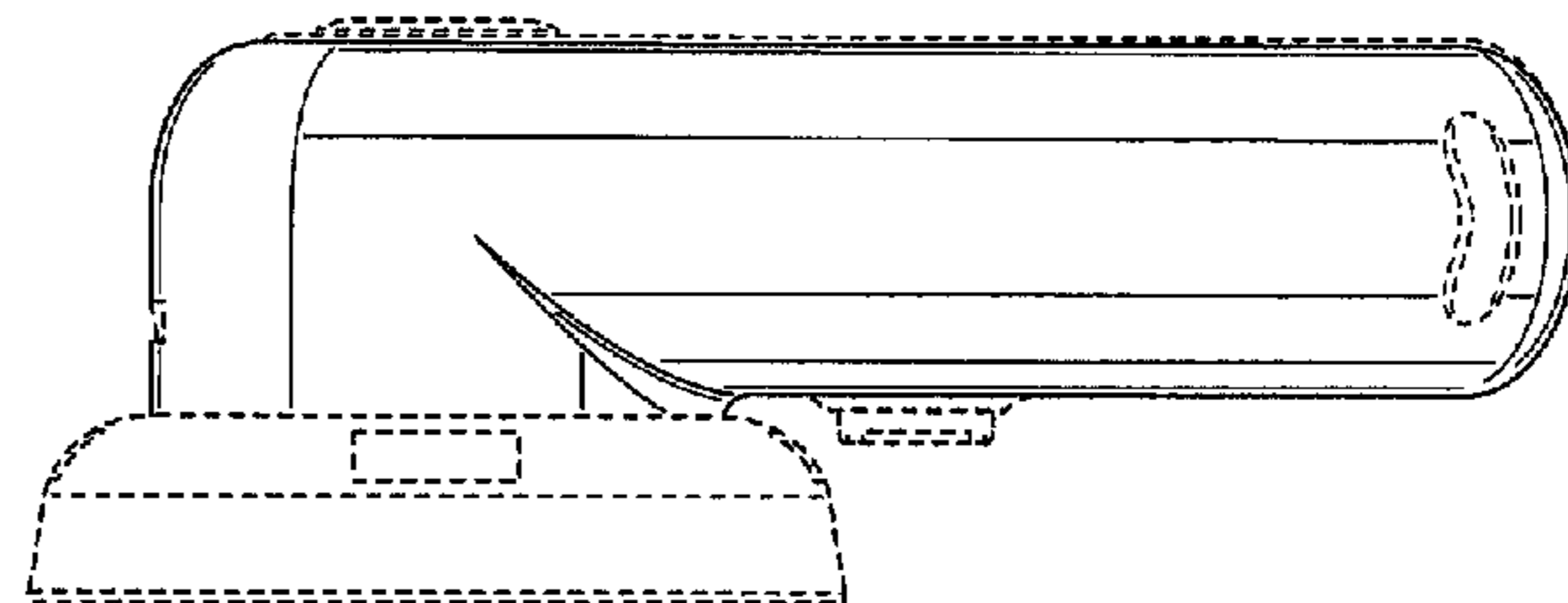
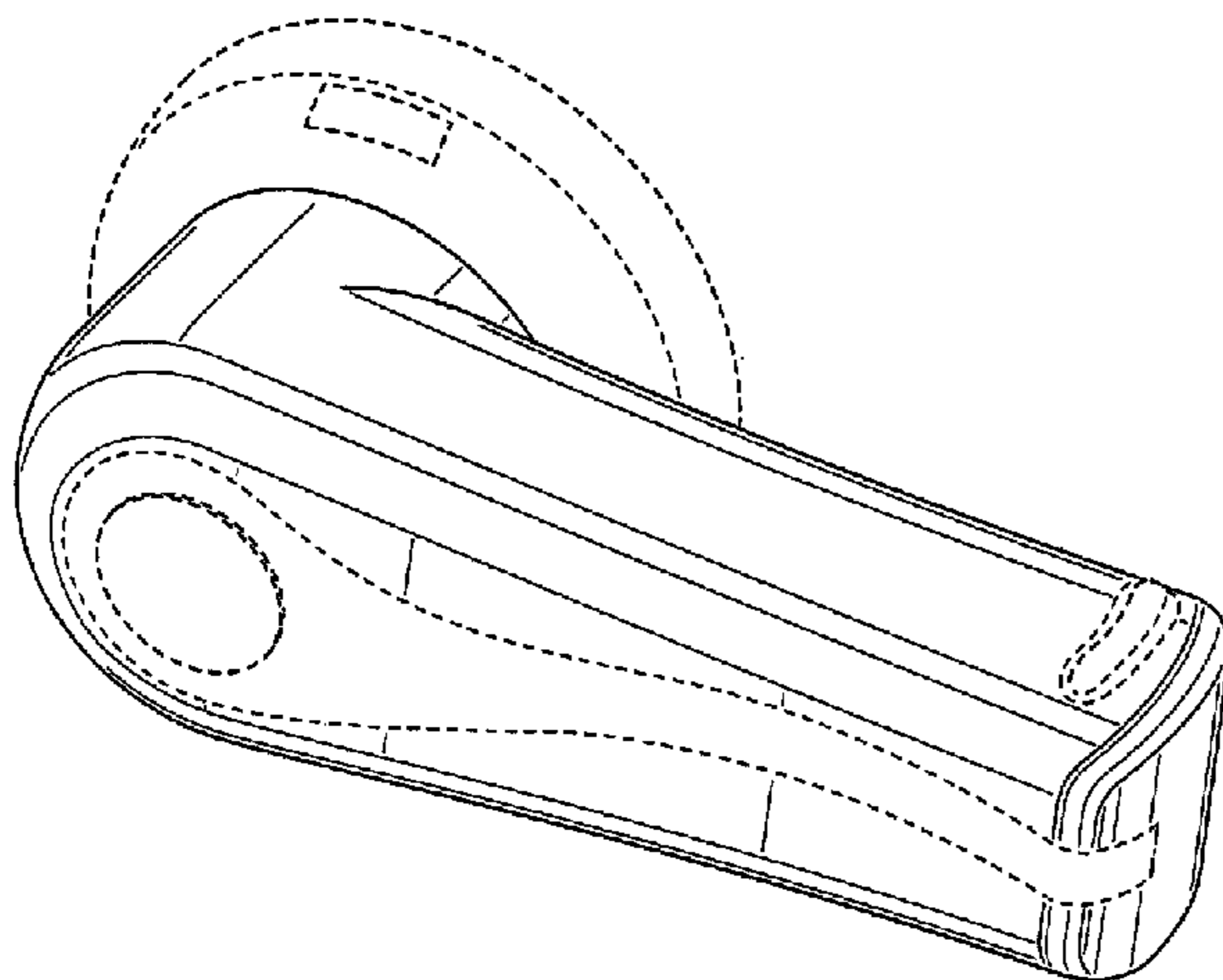
FIG. 5 is a left side view of the lever door handle lock of FIG. 1;

FIG. 6 is a top view of the lever door handle lock of FIG. 1; and,

FIG. 7 is a bottom view of the lever door handle lock of FIG. 1.

The broken lines shown are included for illustrative purposes only and form no part of the claimed design. The dash-dot-dash broken line shown in the drawings defines a boundary of the claimed design.

1 Claim, 4 Drawing Sheets



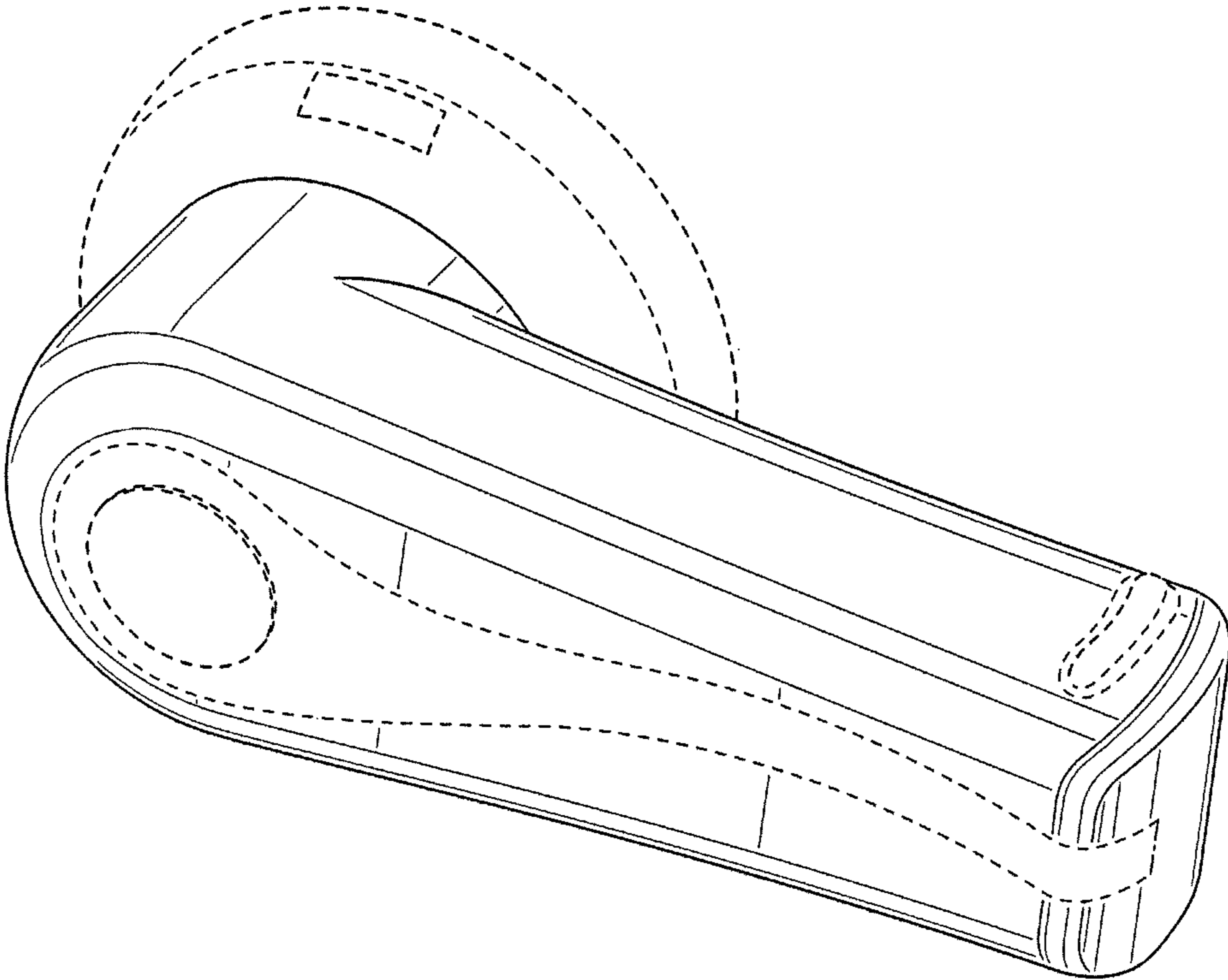


FIG. 1

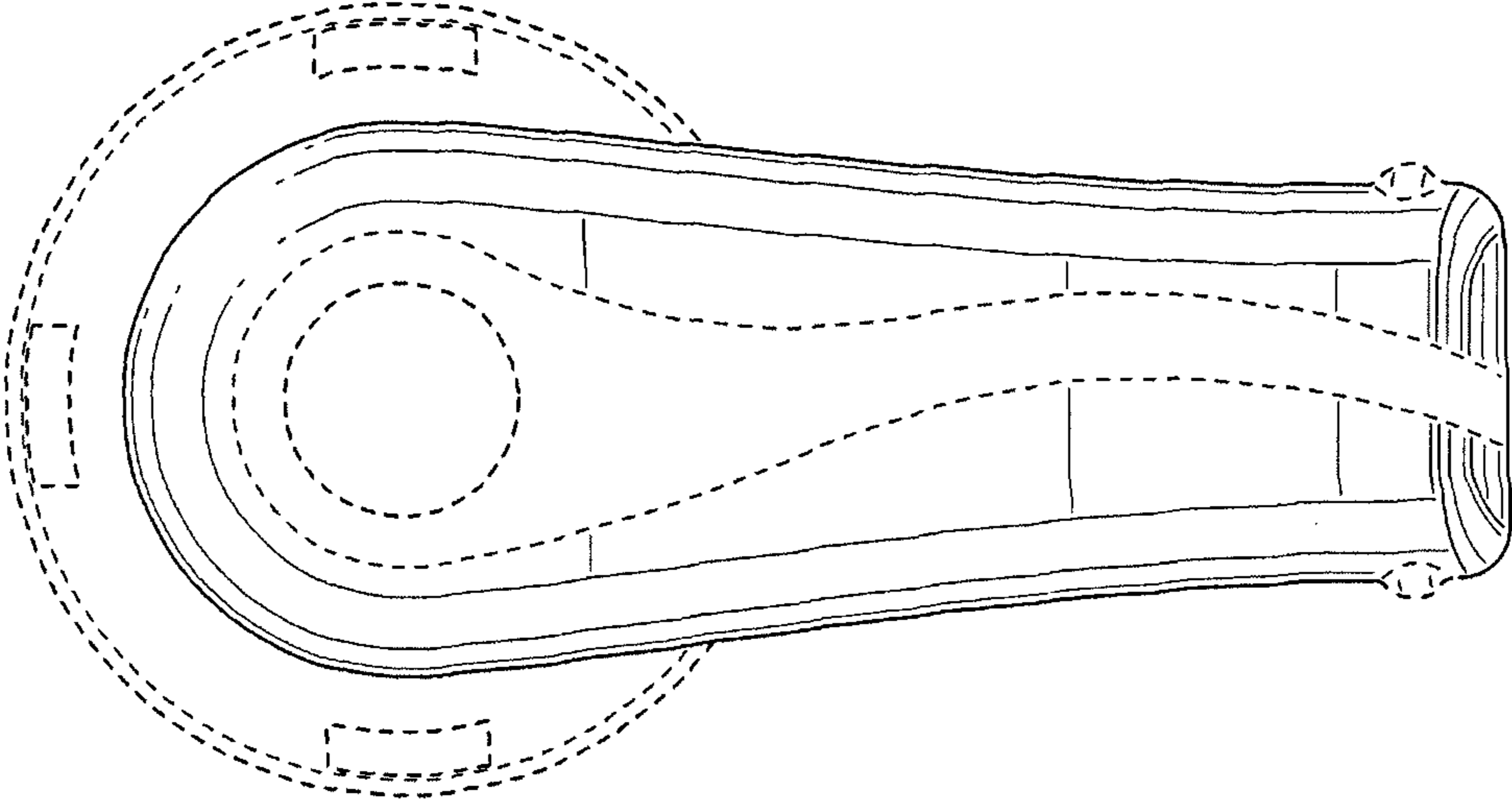


FIG. 2

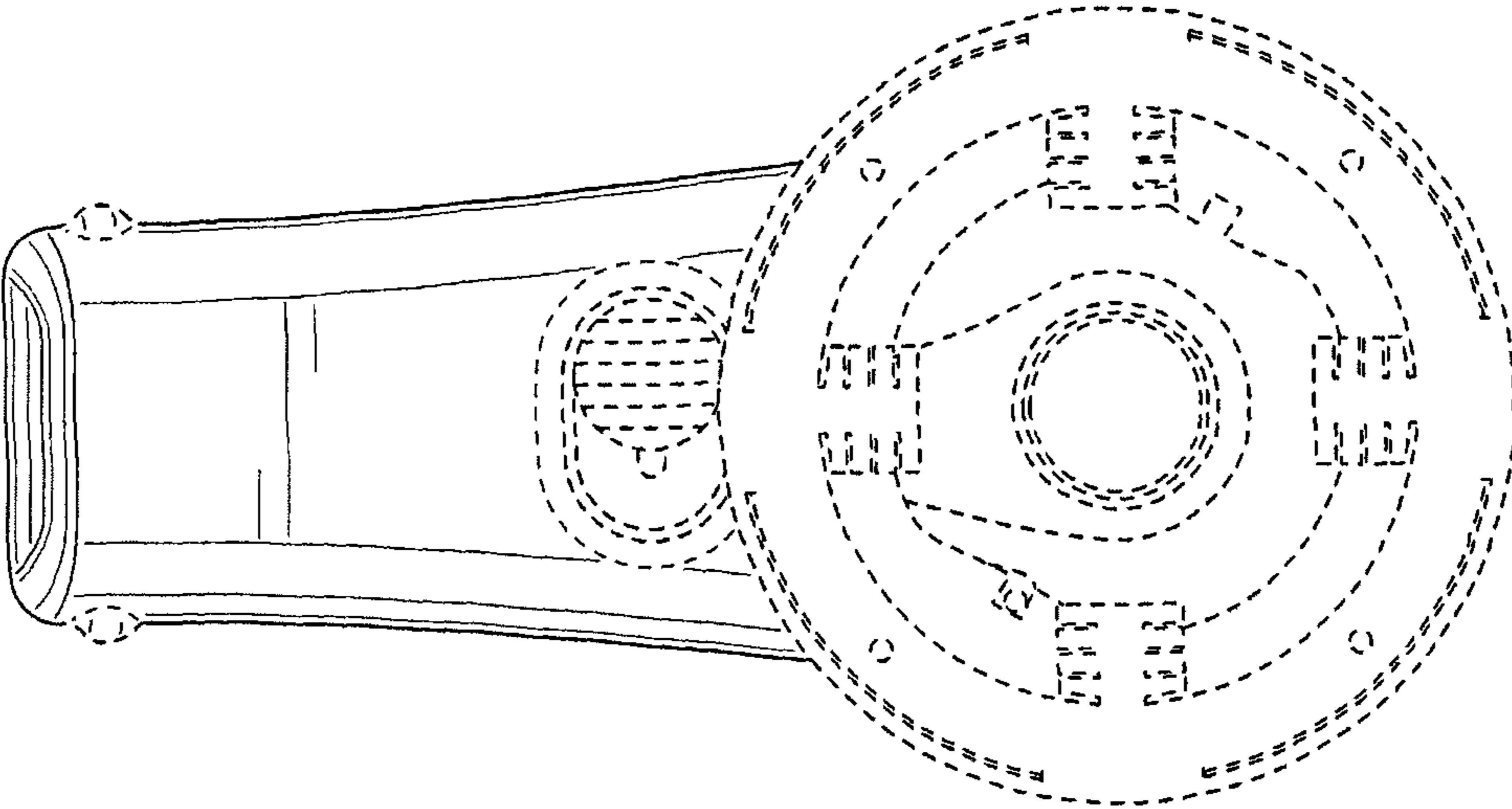


FIG. 3

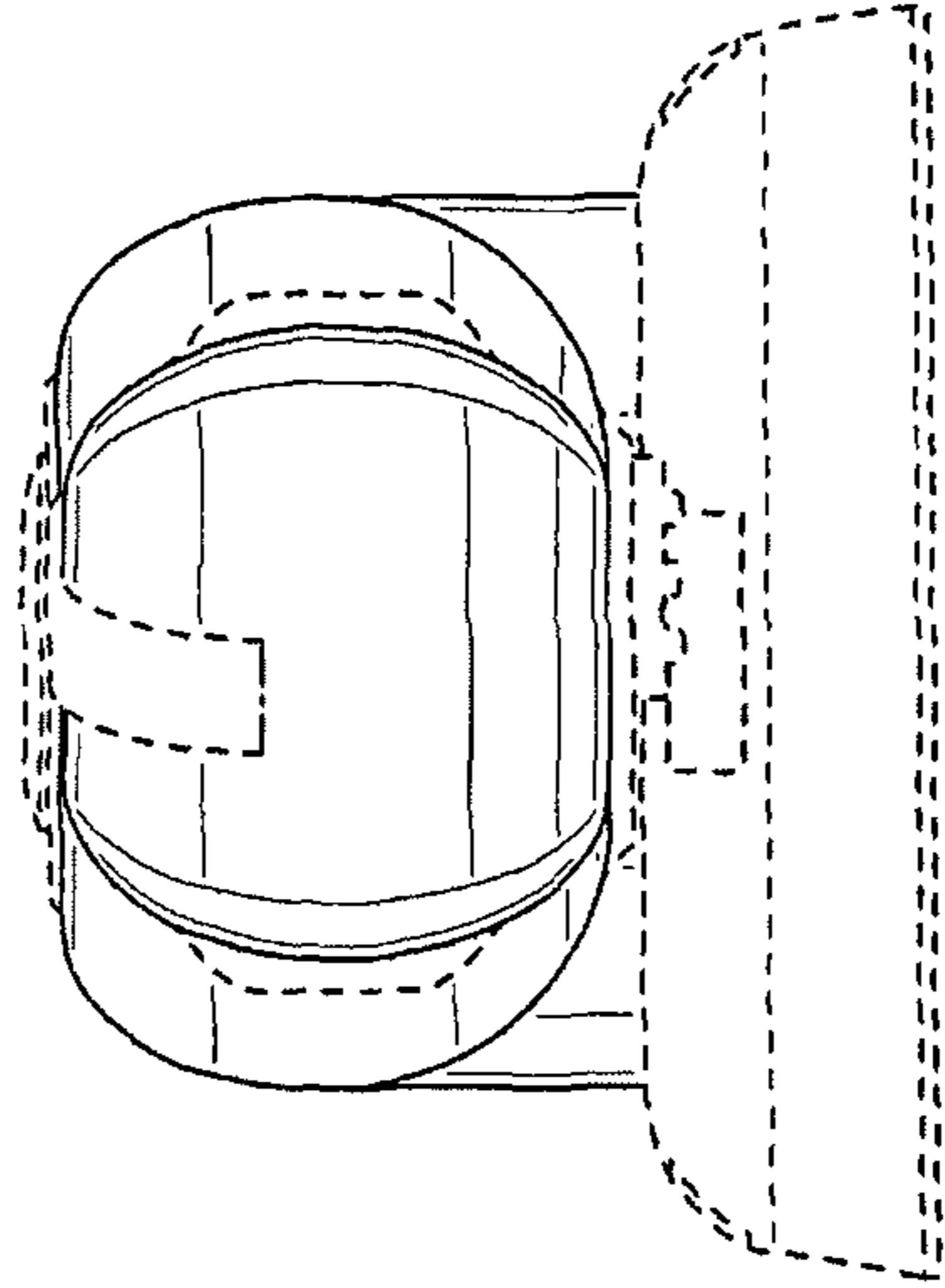


FIG. 4

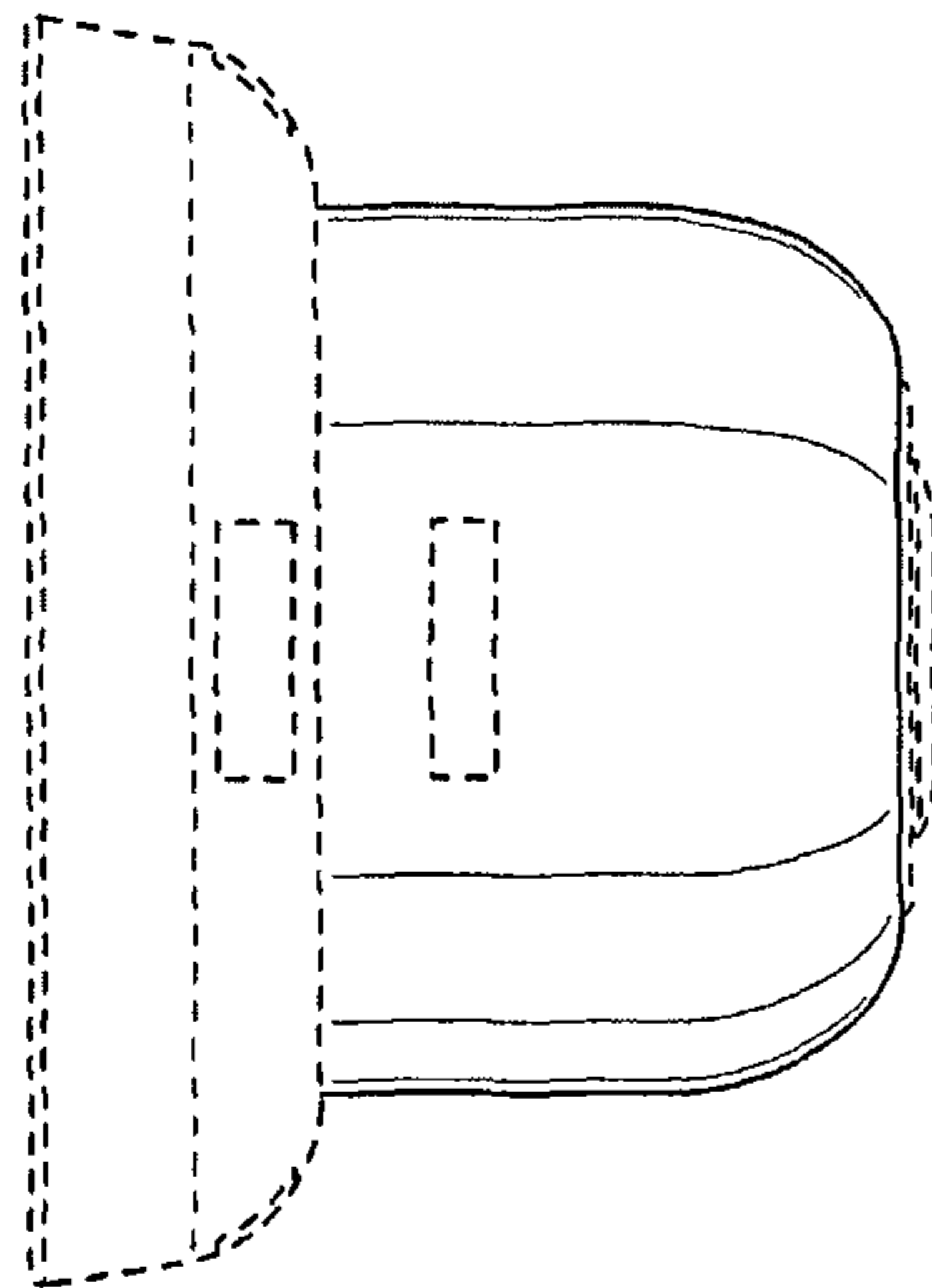


FIG. 5

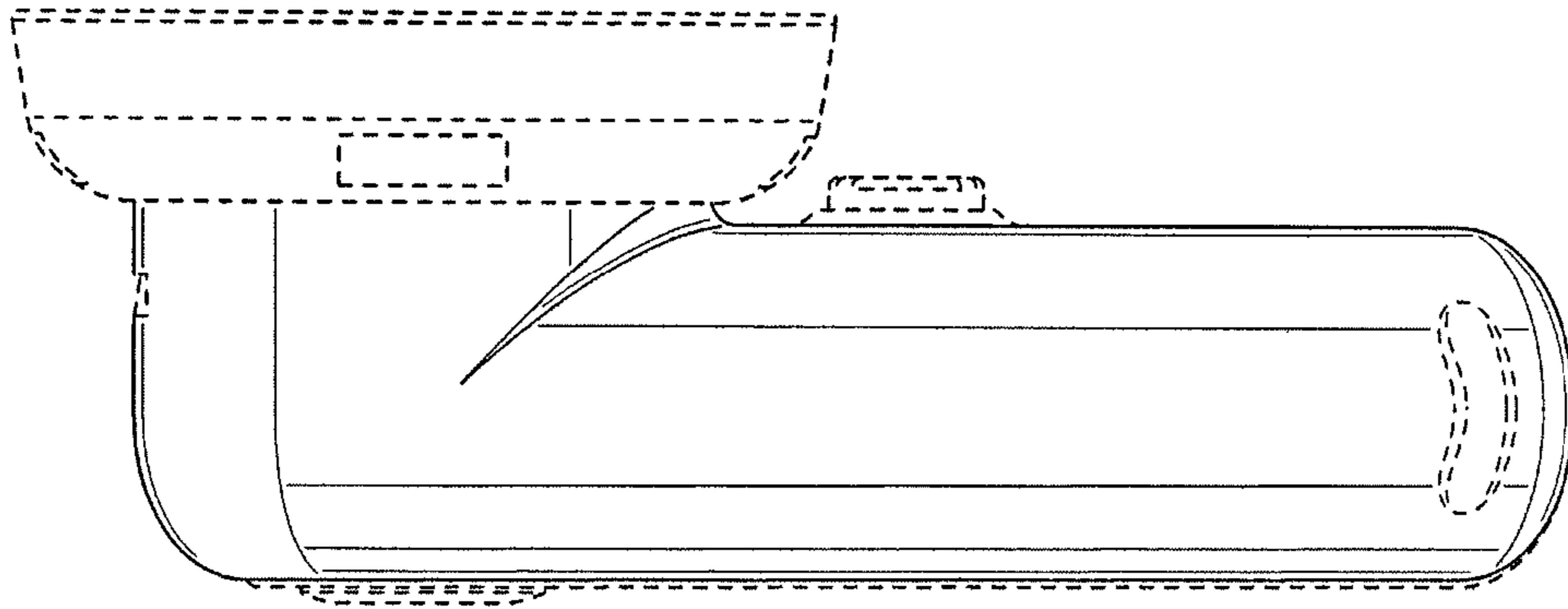


FIG. 6

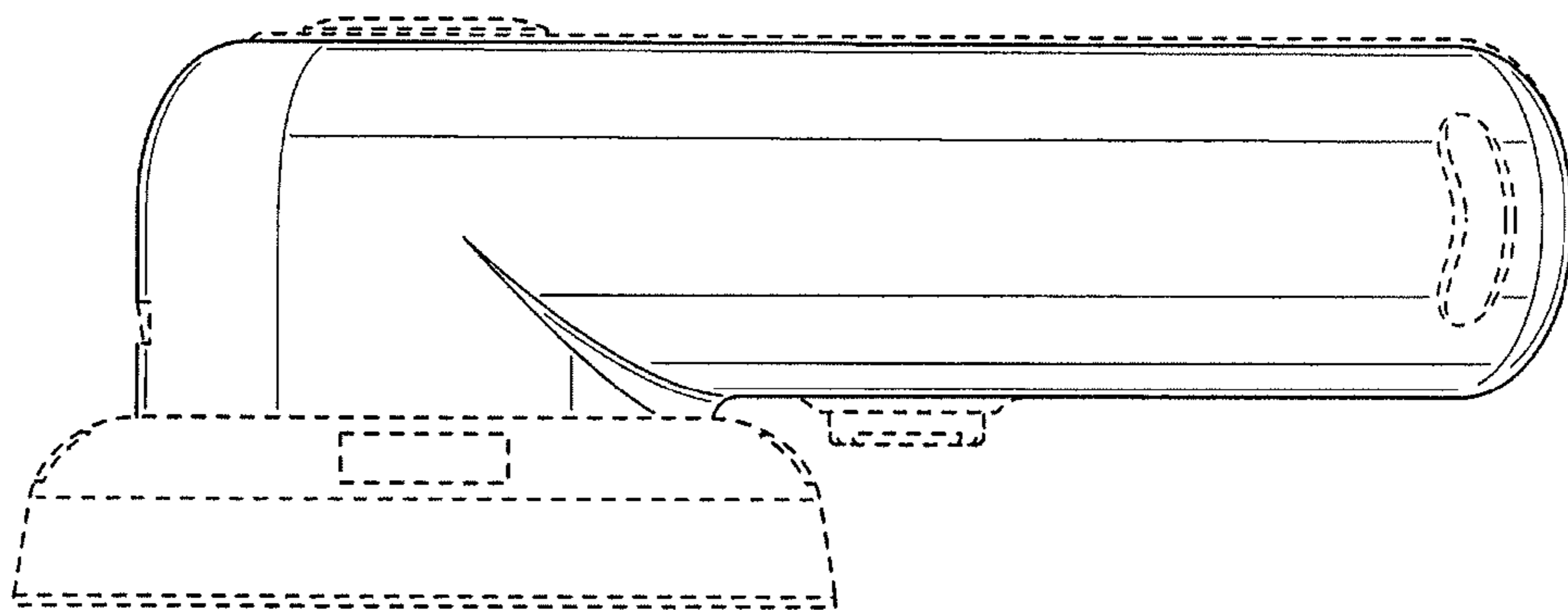


FIG. 7