



US00D704026S

(12) **United States Design Patent**
Jou

(10) **Patent No.:** **US D704,026 S**
(45) **Date of Patent:** **** May 6, 2014**

(54) **KNOB**

(71) Applicant: **Century America, LLC**, Kentwood, MI (US)

(72) Inventor: **Soub Yann Jou**, Kentwood, MI (US)

(73) Assignee: **Century America, LLC**, Kentwood, MI (US)

(**) Term: **14 Years**

(21) Appl. No.: **29/452,347**

(22) Filed: **Apr. 15, 2013**

(51) **LOC (10) Cl.** **08-06**

(52) **U.S. Cl.**
USPC **D8/307**

(58) **Field of Classification Search**
USPC D8/307, 305, 310, 300, DIG. 1, DIG. 2;
D23/250; D7/393; 16/110.1, 417;
292/33.3

See application file for complete search history.

(56) **References Cited**

U.S. PATENT DOCUMENTS

740,300 A * 9/1903 Mosman 16/419
D121,558 S * 7/1940 Borches D8/310
D271,464 S * 11/1983 Carlson D8/301

D370,613 S * 6/1996 Ainscough D8/307
D371,062 S * 6/1996 Ainscough D8/307
D377,747 S * 2/1997 De'Armond D8/310
D396,180 S * 7/1998 Burns et al. D8/310
D399,723 S * 10/1998 Burns et al. D8/310
D470,740 S * 2/2003 Fields D8/310
D506,378 S * 6/2005 Coudurier D8/310
D543,088 S * 5/2007 Ricereto D8/310
D587,981 S * 3/2009 Mattson et al. D8/310
D602,333 S * 10/2009 Hanes D8/307
D603,242 S * 11/2009 Koskela D8/307
D680,410 S * 4/2013 Ramsland et al. D8/310

* cited by examiner

Primary Examiner — Paula Greene

(74) *Attorney, Agent, or Firm* — Barnes & Thornburg LLP

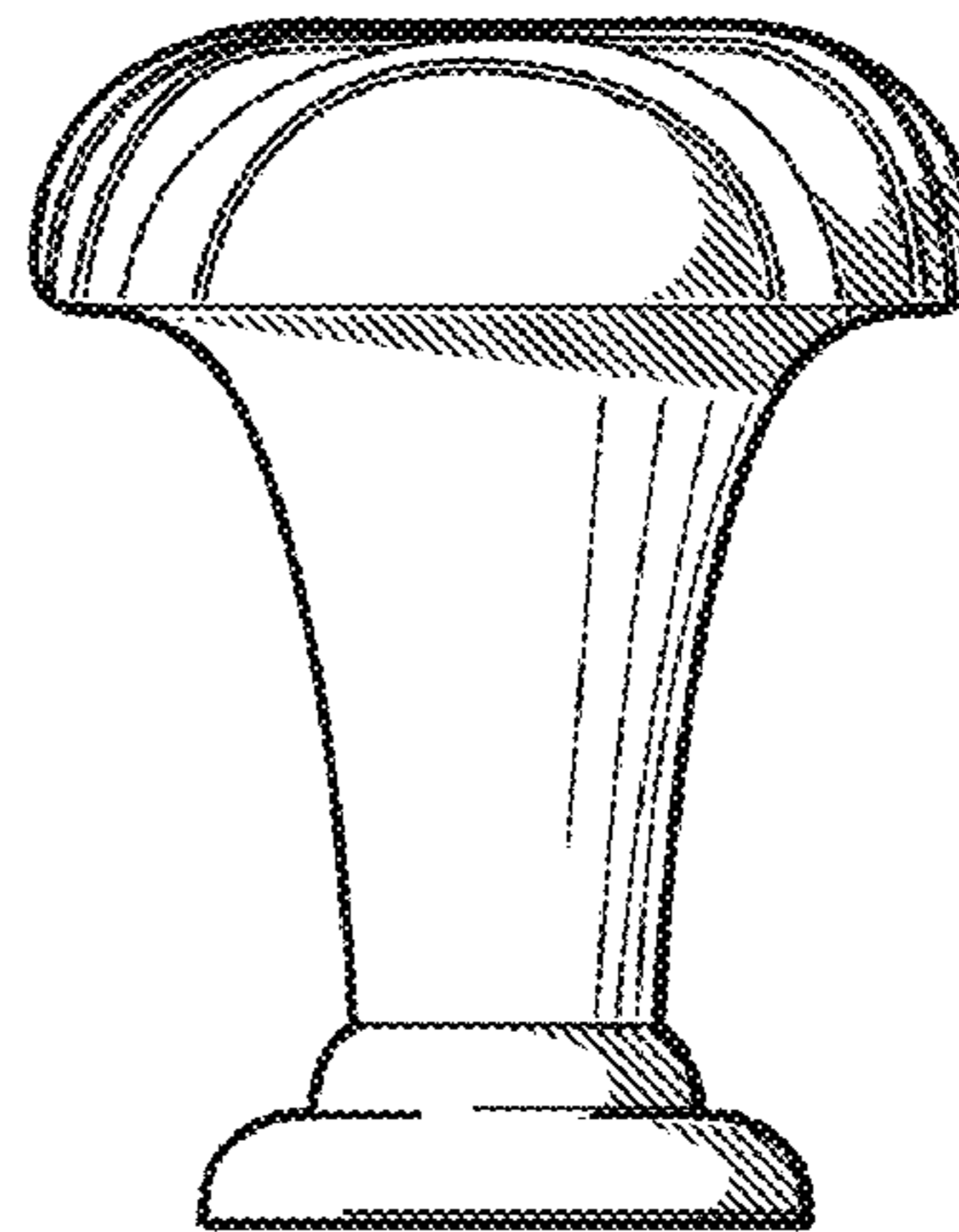
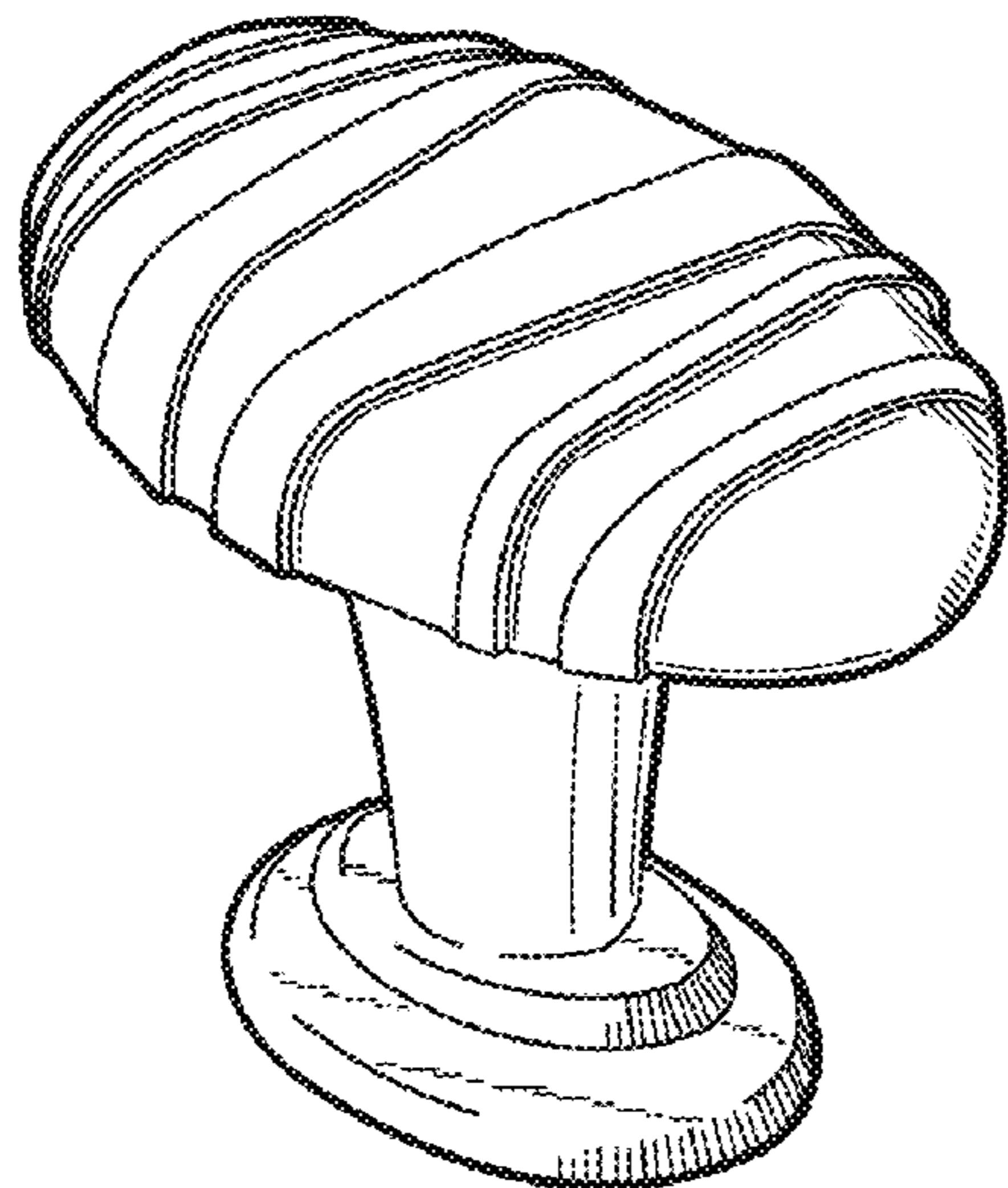
(57) **CLAIM**

What is claimed is the ornamental design for a knob, as shown and described.

DESCRIPTION

FIG. 1 is a perspective view of a knob;
FIG. 2 is a top view thereof;
FIG. 3 is a rear view thereof;
FIG. 4 is a top side view thereof;
FIG. 5 is a left side view thereof;
FIG. 6 is a bottom side view; and,
FIG. 7 is a right side view thereof.

1 Claim, 1 Drawing Sheet



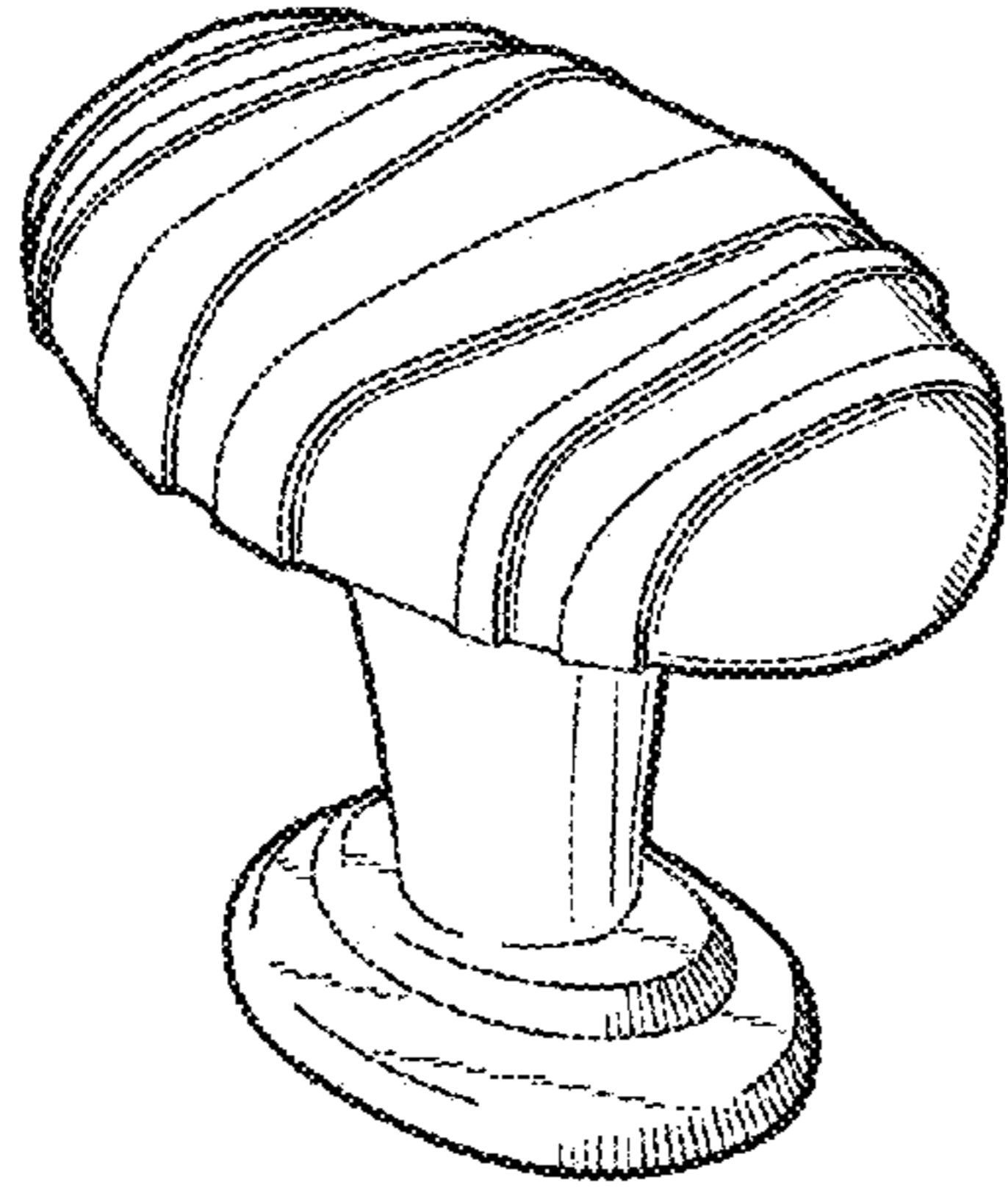


Fig. 1

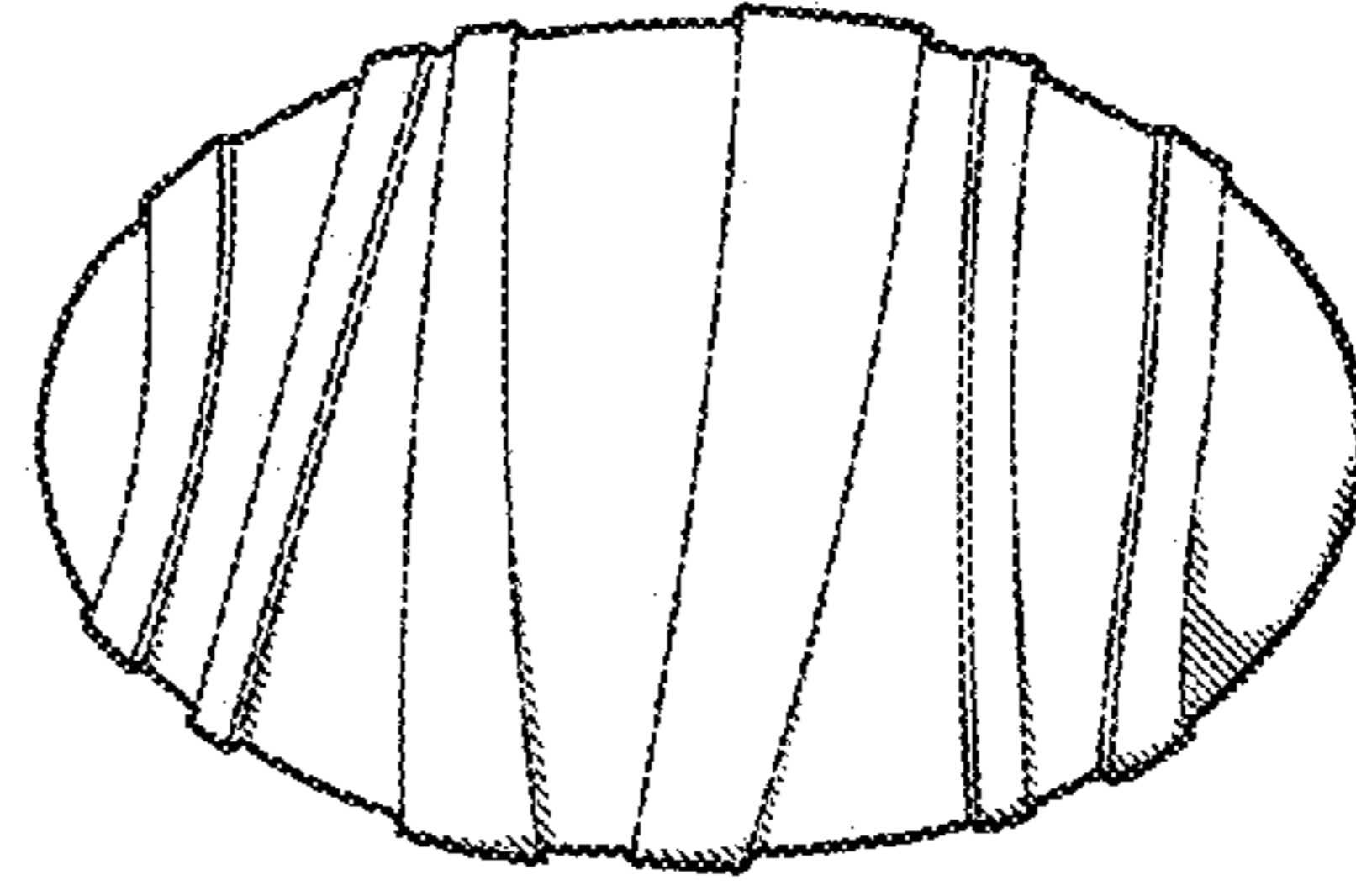


Fig. 2

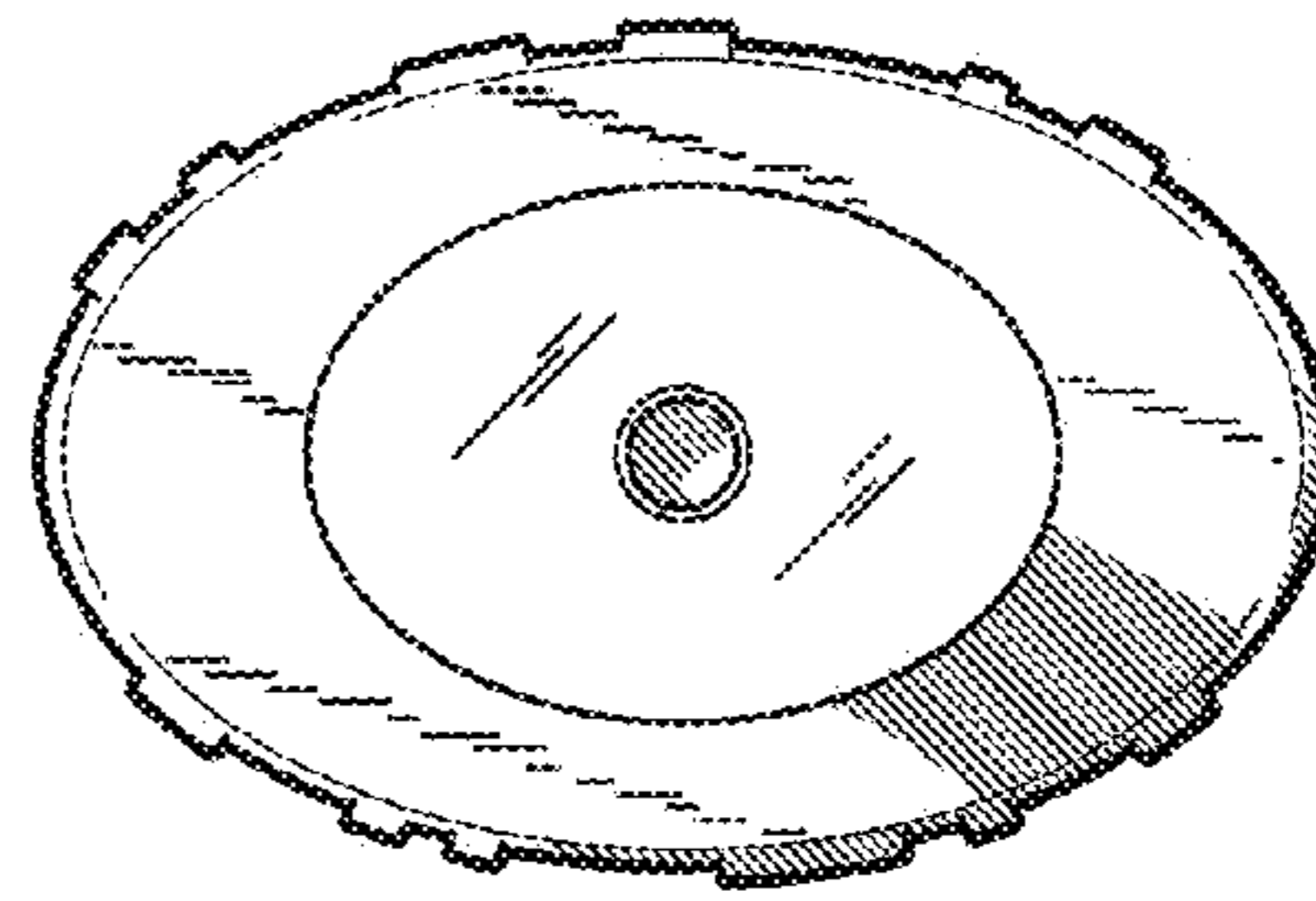


Fig. 3

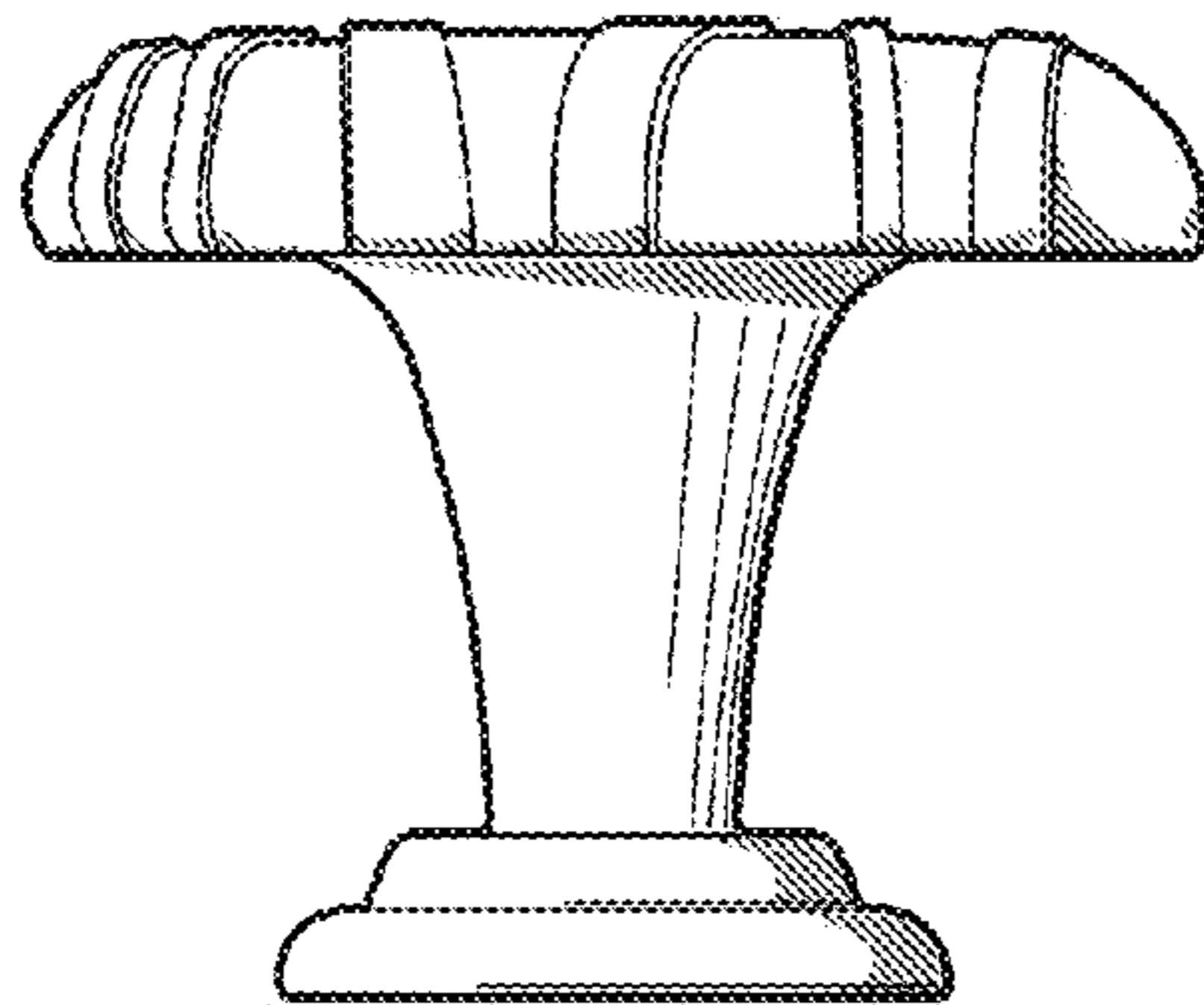


Fig. 4

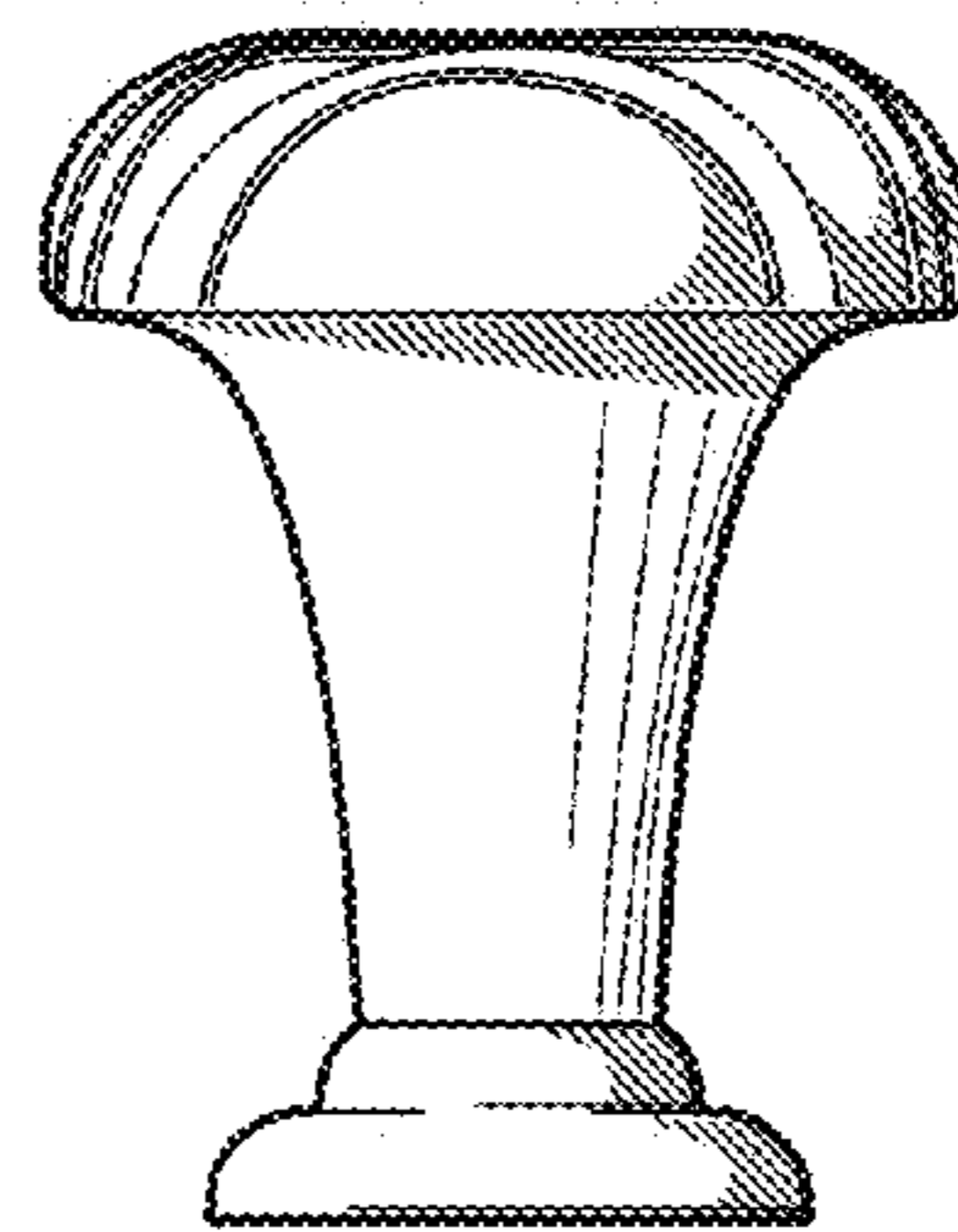


Fig. 5

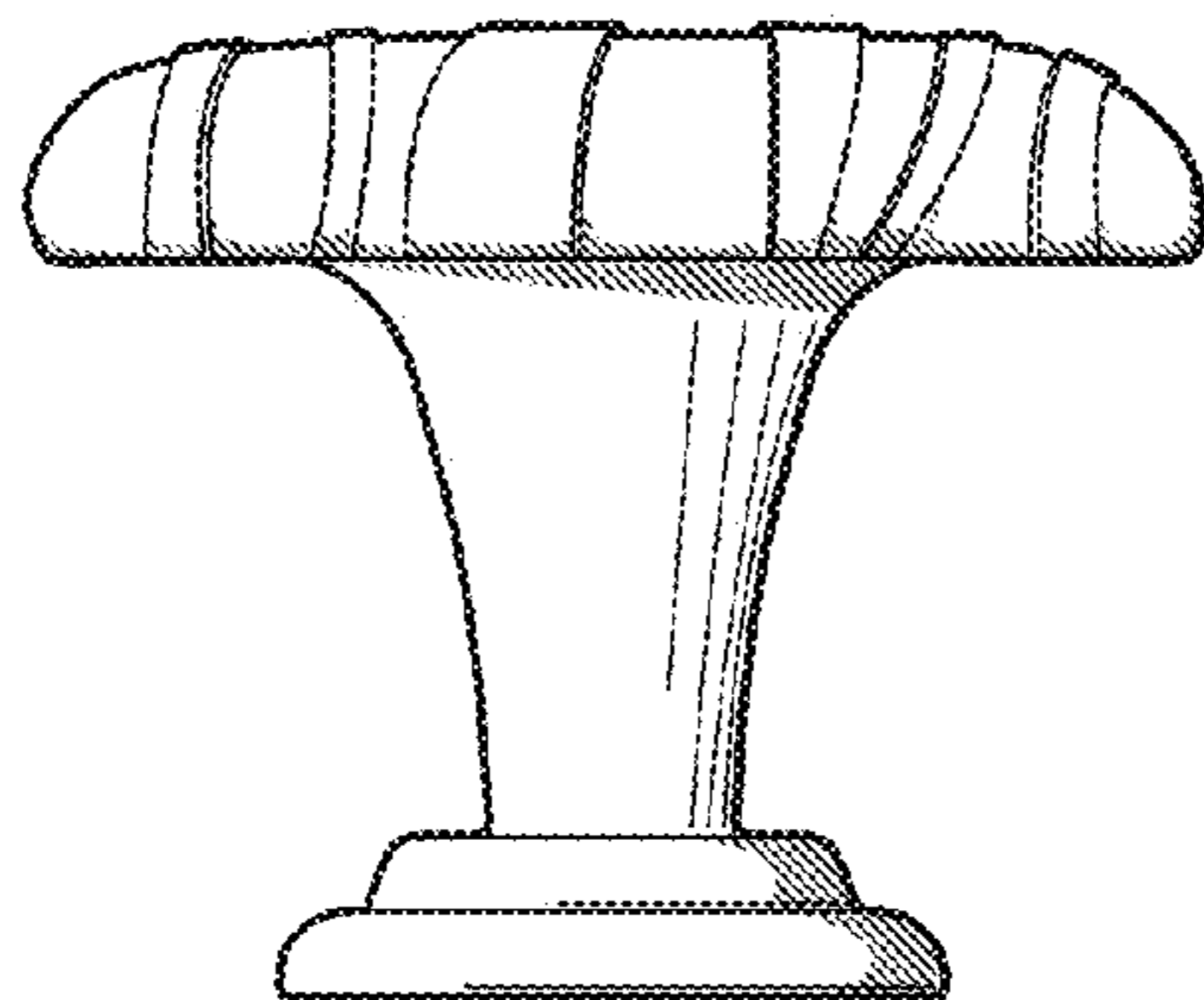


Fig. 6

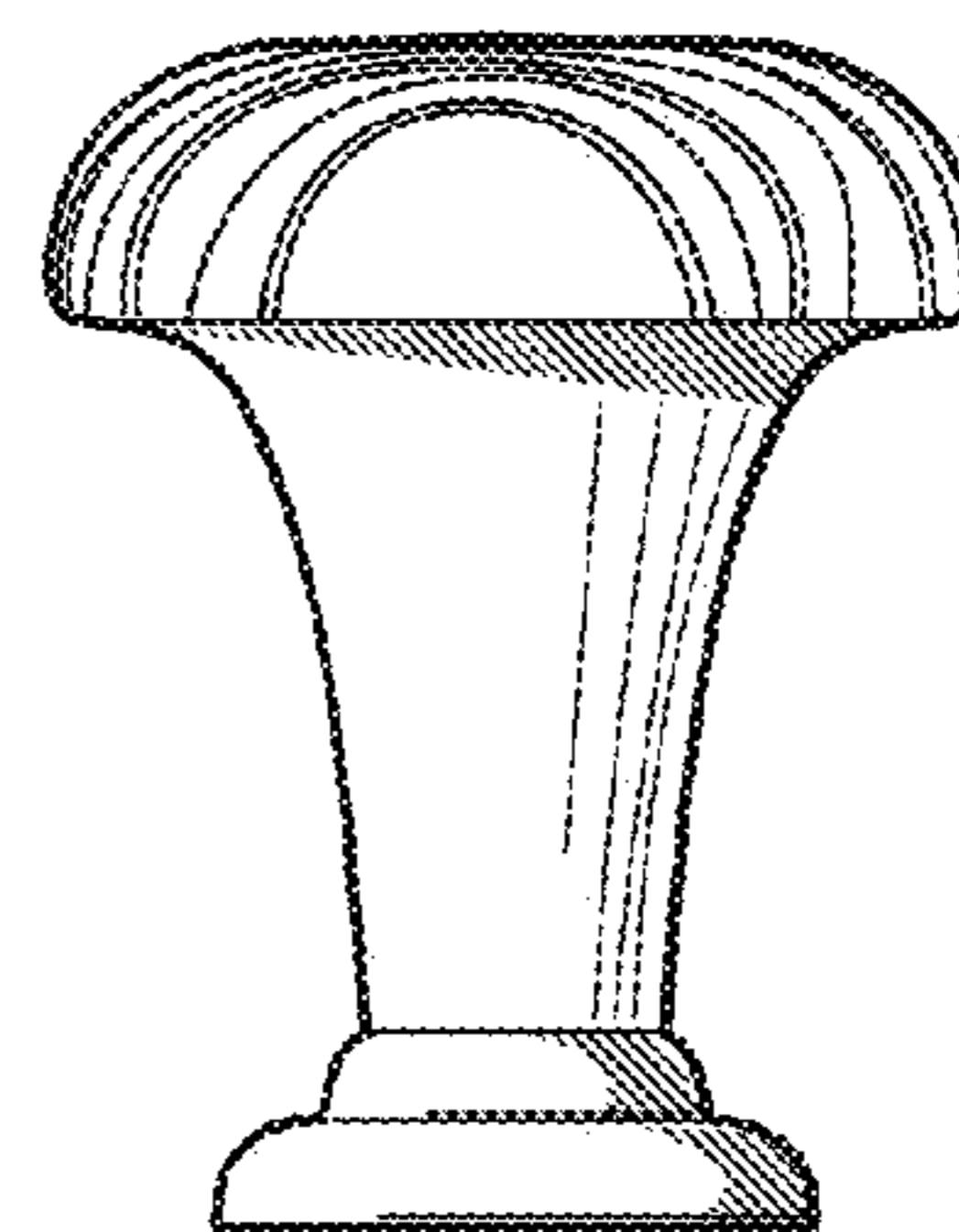


Fig. 7