



US00D704018S

(12) **United States Design Patent**
Vandenberg

(10) **Patent No.:** **US D704,018 S**

(45) **Date of Patent:** **** May 6, 2014**

(54) **FASTENER INSTALLATION TOOL**

4,068,554 A 1/1978 Hirabayashi
4,123,186 A 10/1978 Hoadley
4,146,071 A 3/1979 Mueller et al.

(75) Inventor: **Roger A. Vandenberg**, Hudsonville, MI
(US)

(Continued)

(73) Assignee: **National Nail Corp.**, Grand Rapids, MI
(US)

FOREIGN PATENT DOCUMENTS

(**) Term: **14 Years**

CA 1242601 10/1988
CH 695482 6/2006

(Continued)

(21) Appl. No.: **29/410,075**

OTHER PUBLICATIONS

(22) Filed: **Jan. 4, 2012**

Fiberon DeckPilot Mar. 2009.

(51) **LOC (10) Cl.** **08-05**

(Continued)

(52) **U.S. Cl.**
USPC **D8/51**

(58) **Field of Classification Search**
USPC D8/51, 52; 72/391.8; 81/57.37, 434;
29/243.525

Primary Examiner — Sheryl Lane

(74) *Attorney, Agent, or Firm* — Warner Norcross & Judd
LLP

See application file for complete search history.

(57) **CLAIM**

The ornamental design for fastener installation tool, as shown
and described.

(56) **References Cited**

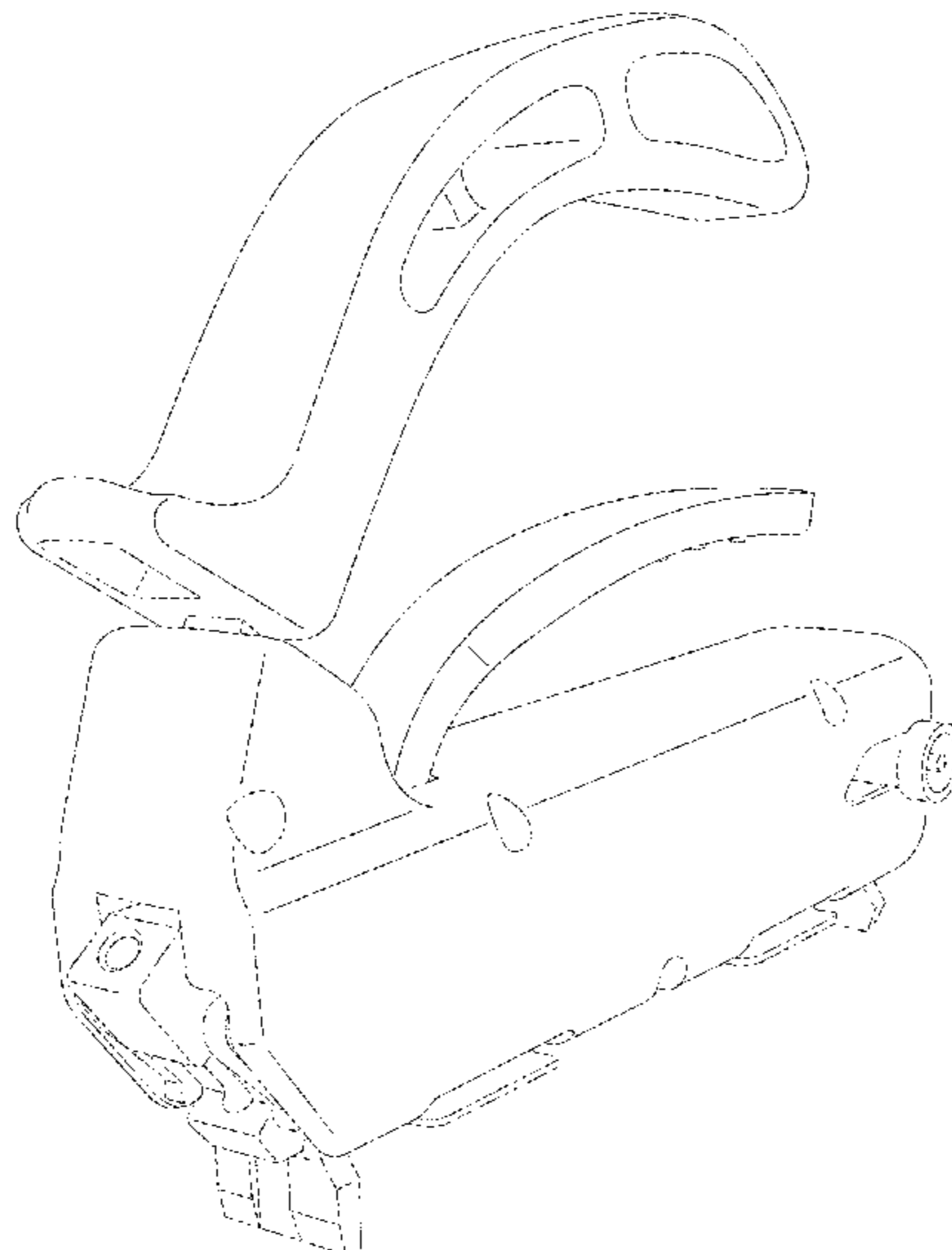
U.S. PATENT DOCUMENTS

126,366 A	4/1872	Wills	
137,414 A	4/1873	Burdick	
138,784 A	5/1873	Bourn	
411,202 A	9/1889	Rose	
877,831 A	1/1908	Creedon	
984,323 A	2/1911	Vauclain	
2,774,969 A	12/1956	Samples	
2,994,878 A	8/1961	Abrahamsen	
3,010,496 A	11/1961	Bruce	
3,012,247 A	12/1961	Sillars	
3,031,098 A *	4/1962	Croessant	72/391.8
3,147,484 A	9/1964	Nelson	
3,177,755 A	4/1965	Kahn	
3,207,023 A	9/1965	Knohl	
3,316,949 A	5/1967	Canfield	
3,357,295 A	12/1967	Smith	
3,360,176 A	12/1967	Gehl	
3,738,218 A	6/1973	Gutshall	
3,942,405 A	3/1976	Wagner	
4,018,254 A	4/1977	DeCaro	

DESCRIPTION

FIG. 1 is a perspective view of the fastener installation tool
embodying the new design;
FIG. 2 is a right side view thereof;
FIG. 3 is a left side view thereof;
FIG. 4 is a front view thereof;
FIG. 5 is a rear view thereof;
FIG. 6 is a top view thereof; and,
FIG. 7 is a bottom view thereof.
FIGS. 1-7 show features of a fastener installation tool in
phantom lines. These features are shown for environmental
purposes and do not form any part of the claimed design. The
phantom lines immediately adjacent the solid-line portions of
the design form the boundary of the design, with the phantom
lines forming no part of the claimed design.

1 Claim, 4 Drawing Sheets



(56)

References Cited

U.S. PATENT DOCUMENTS

4,209,275 A 6/1980 Kim
 4,241,638 A 12/1980 Shimizu et al.
 4,323,326 A 4/1982 Okada et al.
 4,329,099 A 5/1982 Shimizu et al.
 4,439,077 A 3/1984 Godsted
 4,572,720 A 2/1986 Rockenfeller et al.
 4,586,862 A 5/1986 Yamasaki
 4,625,597 A 12/1986 Cast
 4,635,244 A 1/1987 Gotoh
 4,648,258 A * 3/1987 Frearson 29/243.523
 4,834,602 A 5/1989 Takasaki
 5,015,134 A 5/1991 Gotoh
 5,083,483 A 1/1992 Takagi
 5,188,496 A 2/1993 Giannuzzi
 5,282,708 A 2/1994 Giannuzzi
 5,322,396 A 6/1994 Blacker
 5,337,635 A 8/1994 Habermehl
 5,341,706 A 8/1994 Takagi
 5,351,586 A 10/1994 Habermehl et al.
 D359,427 S * 6/1995 Birkholz D8/5
 5,452,630 A 9/1995 Haas et al.
 5,469,767 A 11/1995 Habermehl
 5,531,142 A 7/1996 Adamo
 5,531,143 A 7/1996 Habermehl et al.
 5,568,753 A 10/1996 Habermehl et al.
 D375,884 S * 11/1996 Palmer D8/51
 5,570,618 A 11/1996 Habermehl et al.
 5,687,624 A 11/1997 Tsuge et al.
 D391,135 S 2/1998 Habermehl et al.
 5,839,332 A 11/1998 Fujiyama et al.
 5,871,486 A 2/1999 Huebner et al.
 5,884,541 A 3/1999 Habermehl et al.
 5,904,079 A 5/1999 Tsuge et al.
 5,918,512 A 7/1999 Habermehl et al.
 5,927,163 A 7/1999 Habermehl et al.
 5,934,162 A 8/1999 Habermehl
 5,988,025 A 11/1999 Sasaki et al.
 6,027,004 A 2/2000 Ramella et al.
 6,089,132 A 7/2000 Habermehl
 6,098,442 A 8/2000 Walldorf et al.
 6,109,144 A 8/2000 Muro
 6,109,146 A 8/2000 Muro
 6,158,939 A 12/2000 Grossberndt et al.
 6,244,140 B1 6/2001 Habermehl
 6,296,433 B1 10/2001 Forsell et al.
 6,322,307 B1 11/2001 Glover
 6,328,516 B1 12/2001 Hettich
 6,332,741 B1 12/2001 Janusz
 6,345,940 B2 2/2002 Anjanappa et al.
 6,394,712 B1 5/2002 Weinstein et al.
 6,425,306 B1 7/2002 Habermehl
 6,439,085 B1 8/2002 Habermehl
 6,453,780 B2 9/2002 Habermehl
 6,481,937 B1 11/2002 Sommerfeld et al.
 6,514,026 B1 2/2003 Gerhard
 6,592,015 B1 7/2003 Gostylla et al.
 6,601,480 B1 8/2003 Habermehl
 6,604,901 B1 8/2003 Grossberndt et al.
 6,623,228 B1 9/2003 Hettich et al.
 6,666,638 B2 12/2003 Craven
 6,769,332 B2 8/2004 Muro
 6,843,402 B2 1/2005 Sims et al.
 6,915,724 B2 7/2005 Kigel et al.
 6,941,635 B2 9/2005 Craven
 6,941,847 B2 9/2005 Habermehl et al.
 7,037,059 B2 5/2006 Dicke
 7,044,460 B2 5/2006 Bolton
 7,156,600 B2 1/2007 Panasik et al.
 7,165,481 B2 1/2007 Kikuchi
 7,231,854 B2 6/2007 Kikuchi
 7,344,057 B2 3/2008 Dion et al.
 7,424,840 B1 9/2008 Huang

7,454,996 B2 11/2008 Hsu
 7,487,699 B2 2/2009 Xu
 7,682,119 B2 3/2010 Chen
 7,695,228 B2 4/2010 Craven
 D614,942 S 5/2010 Gaudron
 7,866,236 B2 1/2011 Hsu
 RE42,207 E 3/2011 Janusz
 D637,071 S 5/2011 Gaudron et al.
 7,950,312 B2 5/2011 Matthiesen et al.
 7,992,469 B2 8/2011 Chang et al.
 8,151,423 B2 * 4/2012 Dear et al. 29/243.523
 8,162,196 B2 4/2012 Gasser et al.
 8,192,124 B2 6/2012 Wolpert et al.
 D662,808 S 7/2012 Vandenberg
 8,266,941 B1 * 9/2012 Hufnagl et al. 72/391.8
 D677,147 S 3/2013 Vandenberg
 2003/0235483 A1 12/2003 Chen
 2004/0141827 A1 7/2004 Dicke
 2005/0265806 A1 12/2005 Craven
 2005/0278934 A1 12/2005 Orchard
 2007/0128001 A1 6/2007 Su
 2007/0217887 A1 9/2007 Lin
 2008/0025816 A1 1/2008 Chen et al.
 2008/0080951 A1 4/2008 Lin
 2008/0264218 A1 10/2008 Wang et al.
 2008/0276761 A1 11/2008 Hale et al.
 2008/0296341 A1 12/2008 Francescon
 2009/0142159 A1 6/2009 Wolpert et al.
 2009/0314143 A1 12/2009 Chen
 2010/0083610 A1 4/2010 King
 2011/0167757 A1 7/2011 Vandenberg
 2011/0170984 A1 7/2011 Vandenberg
 2011/0232430 A1 9/2011 Hale
 2012/0000327 A1 1/2012 Park
 2012/0048909 A1 3/2012 Gensmann et al.
 2012/0073410 A1 3/2012 Hoffman et al.
 2013/0051955 A1 2/2013 Su et al.

FOREIGN PATENT DOCUMENTS

DE 4228727 3/1994
 DE 4331689 3/1994
 EP 1595627 11/2005
 EP 1920890 5/2008
 EP 1932623 6/2008
 EP 1938928 7/2008
 EP 2258518 12/2010
 EP 2397706 12/2011
 EP 2076362 3/2012
 GB 191001226 12/1910
 GB 167620 8/1921
 GB 1009630 11/1965
 GB 2127927 4/1984
 JP 7217625 8/1995
 JP 10329049 12/1998
 JP 2000257616 9/2000
 JP 2004308732 11/2004
 WO 2007091487 8/2007

OTHER PUBLICATIONS

Fiberon DeckPilot Dec. 2009.
 Kreg Jig downloaded from http://kregtool.com/products/pht/product.php?PRODUCT_ID=109 (Feb. 3, 2010).
 Kreg Jig Jr. downloaded from http://kregtool.com/products/pht/product.php?PRODUCT_ID=32 (Feb. 3, 2010).
 Kreg Micro Pocket Drill Guide downloaded from http://kregtool.com/products/pht/product.php?PRODUCT_ID=113 (Feb. 3, 2010).
 Bostitch MIIIFN—Hardwood Flooring Cleat Nailer downloaded from <http://www.bostitch.com/default.asp?CATEGORY=FLOORING+NAILERS&TYPE=PRO...> (Feb. 3, 2010).

* cited by examiner

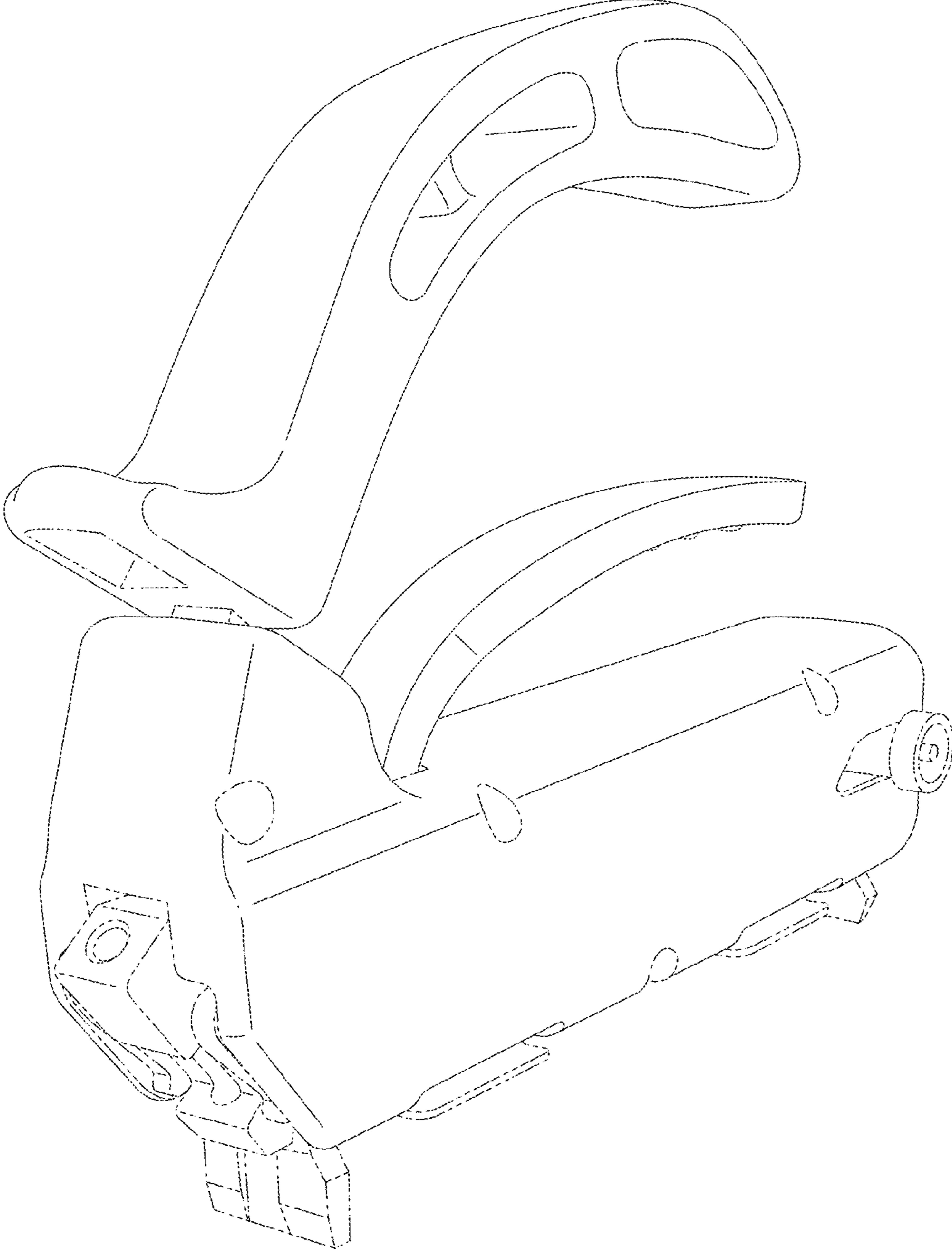


Fig. 1

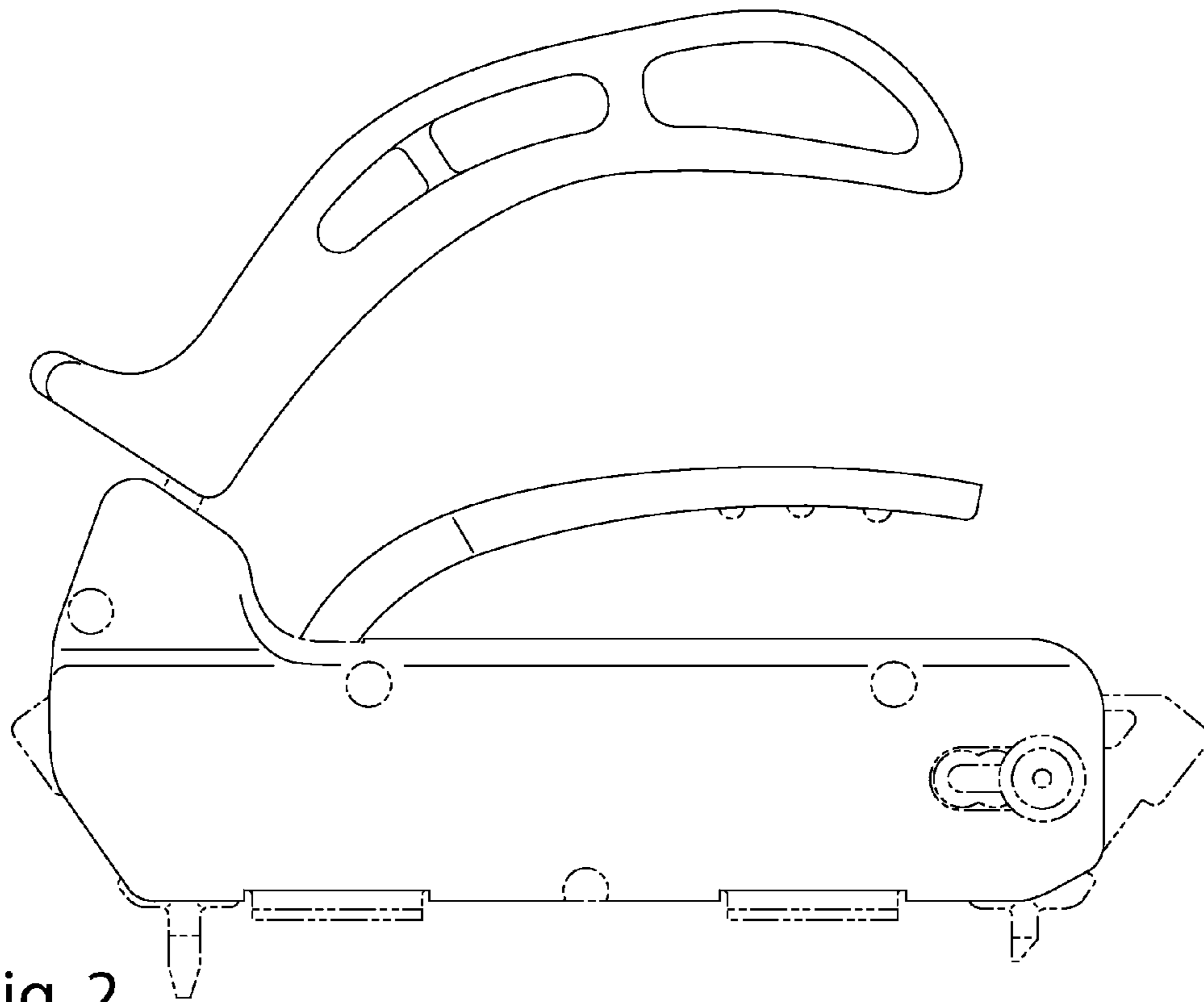


Fig. 2

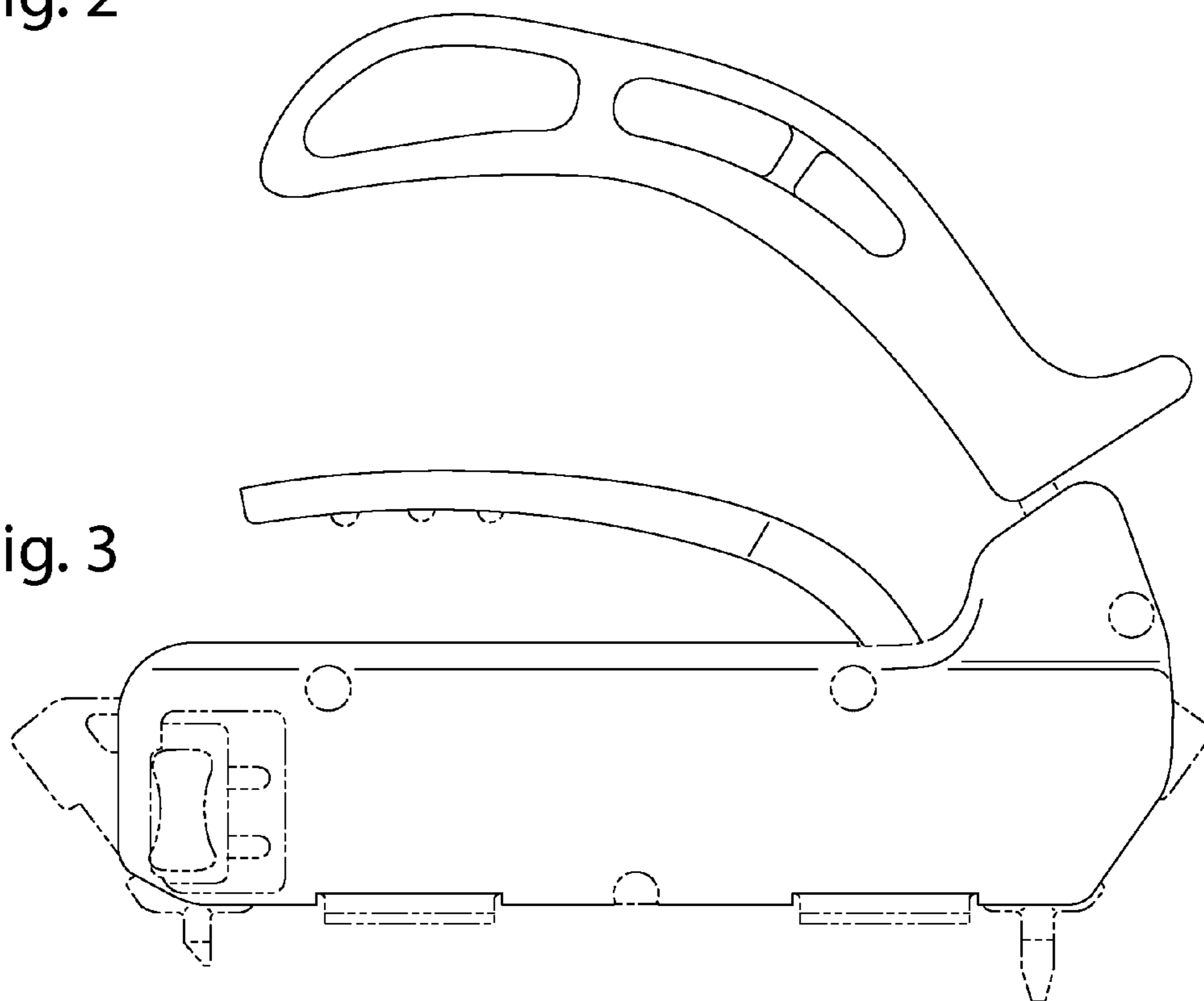


Fig. 3

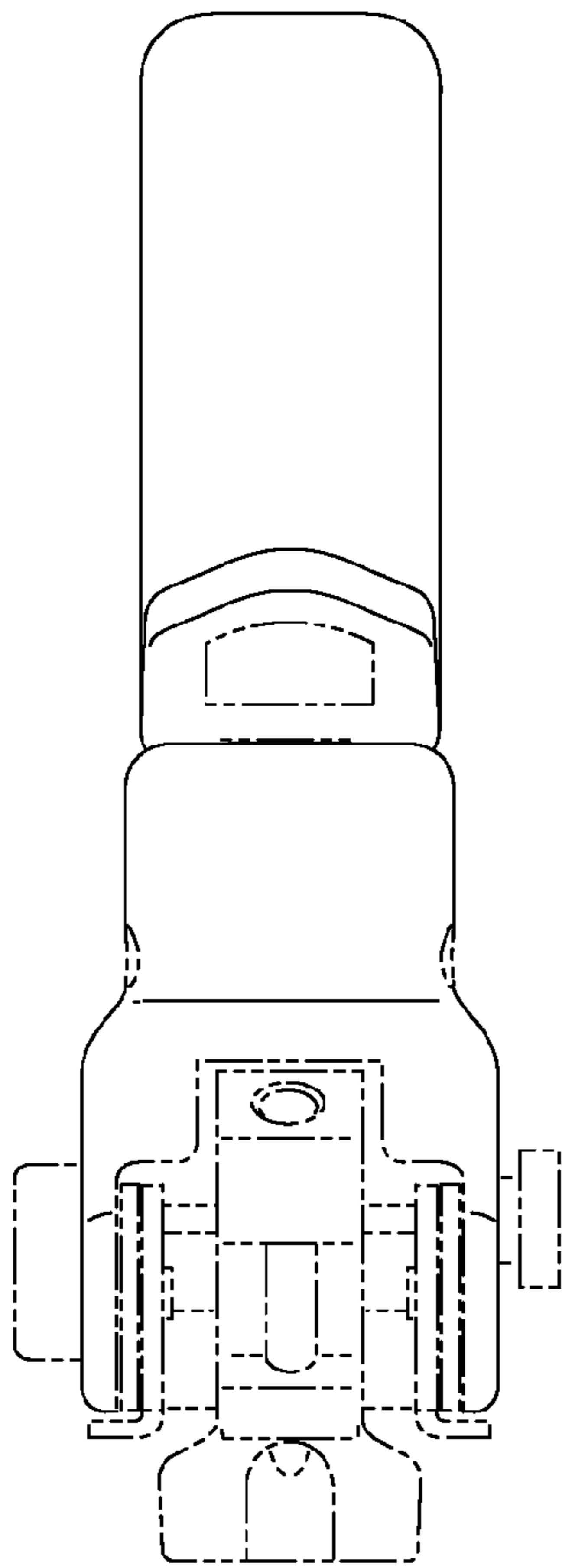


Fig. 4

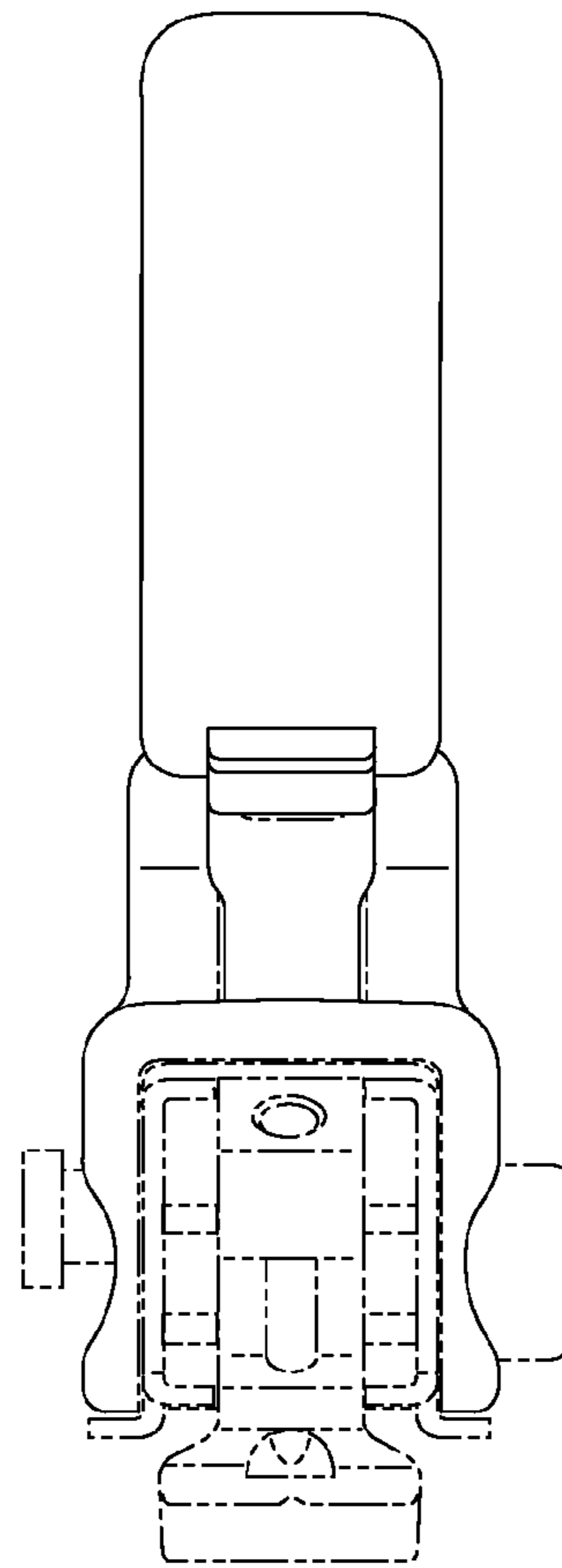


Fig. 5

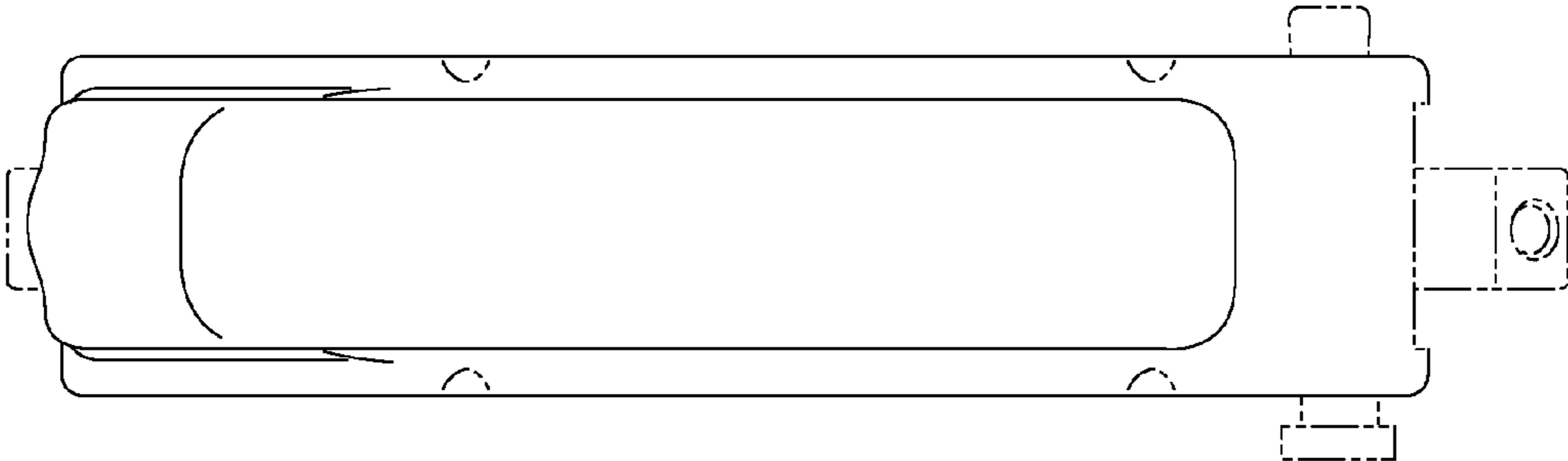


Fig. 6

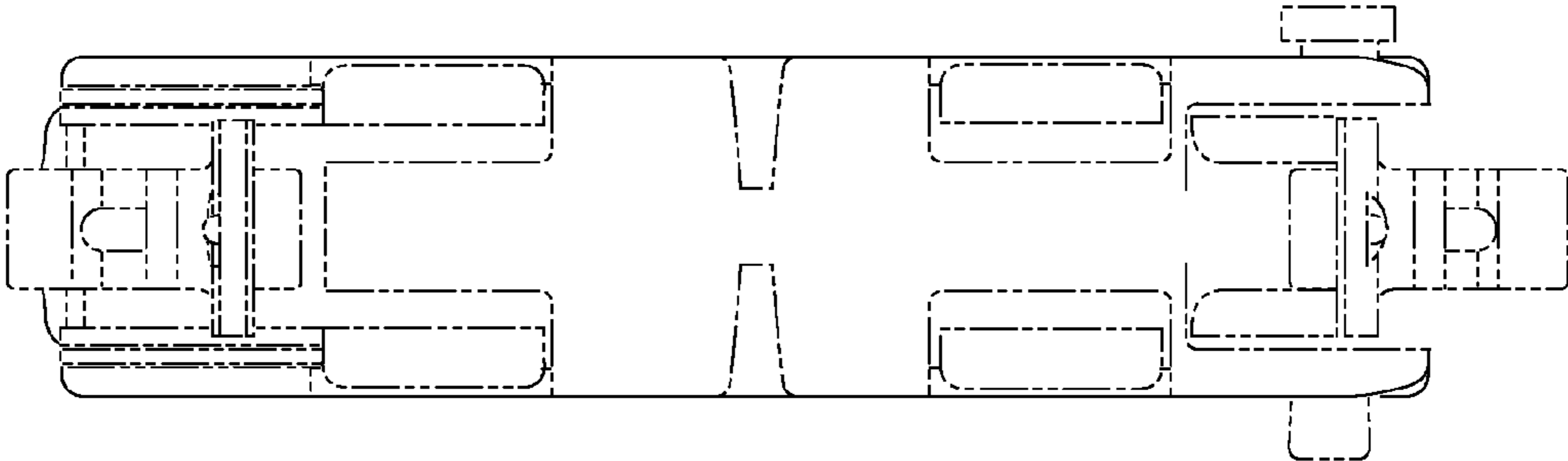


Fig. 7