



US00D704017S

(12) **United States Design Patent**
Matsushita et al.

(10) **Patent No.:** **US D704,017 S**

(45) **Date of Patent:** **** May 6, 2014**

(54) **STAPLE-FREE STAPLER**

(71) Applicant: **Plus Corporation**, Tokyo (JP)

(72) Inventors: **Togo Matsushita**, Tokyo (JP);
Yoshikazu Itami, Tokyo (JP)

(73) Assignee: **Plus Corporation**, Tokyo (JP)

(**) Term: **14 Years**

(21) Appl. No.: **29/477,039**

(22) Filed: **Dec. 19, 2013**

(30) **Foreign Application Priority Data**

Jun. 26, 2013 (JP) 2013-014407

(51) **LOC (10) Cl.** **19-02**

(52) **U.S. Cl.**
USPC **D8/49**

(58) **Field of Classification Search**
USPC D8/49, 394, 395, 396, 50; D19/65, 72,
D19/99, 100; 24/67 R, 67.1, 67.3, 67.5, 67.7,
24/67.9, 67.11, 67 CF, 67 P, 570, DIG. 8,
24/DIG. 9; 30/358; 281/44
See application file for complete search history.

(56) **References Cited**

U.S. PATENT DOCUMENTS

D433,062 S * 10/2000 Ho D19/72
D447,676 S * 9/2001 Wilson et al. D8/50

D468,981 S * 1/2003 Nolan D8/50
D471,414 S * 3/2003 Chan D8/50
D499,449 S * 12/2004 Chan D19/72
D533,756 S * 12/2006 Chang D8/50
D548,033 S * 8/2007 Russo et al. D8/51
D567,043 S * 4/2008 Marks et al. D8/50
D597,391 S * 8/2009 Cunningham et al. D8/50
D622,570 S * 8/2010 Miyagi et al. D8/50
D635,426 S * 4/2011 Lau D8/49
D652,871 S * 1/2012 Wan D19/72

* cited by examiner

Primary Examiner — Austin Murphy

(74) *Attorney, Agent, or Firm* — The Marbury Law Group,
PLLC

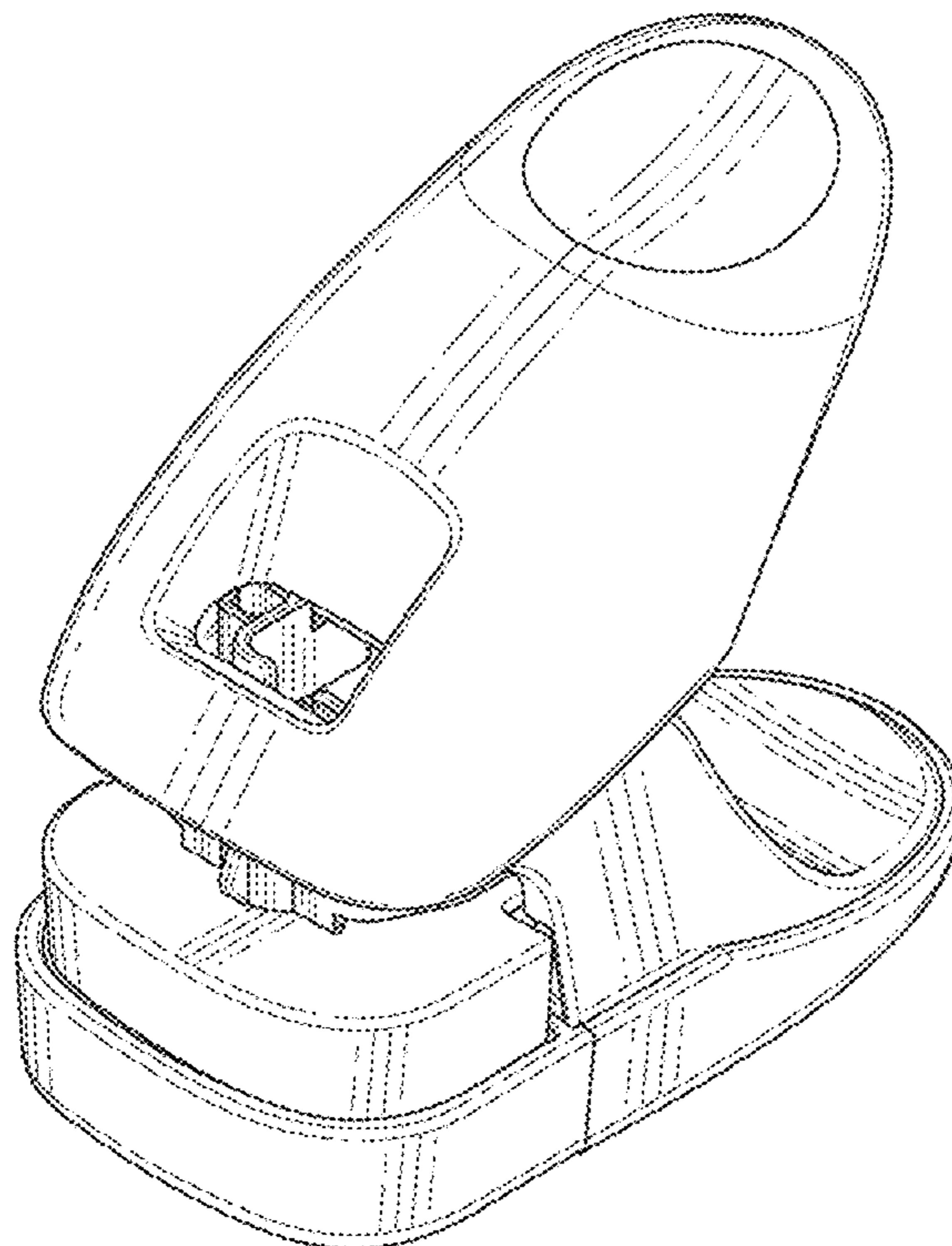
(57) **CLAIM**

The ornamental design for a staple-free stapler, as shown and described.

DESCRIPTION

FIG. 1 is a front/right side perspective view of the staple-free stapler design.
FIG. 2 is a right side view of the staple-free stapler design.
FIG. 3 is a left side view of the staple-free stapler design.
FIG. 4 is a front view of the staple-free stapler design.
FIG. 5 is a rear view of the staple-free stapler design.
FIG. 6 is a top view of the staple-free stapler design; and,
FIG. 7 is a bottom view of the staple-free stapler design.
The broken lines shown in FIGS. 1-7 represent portions of the staple-free stapler that form no part of the claim.

1 Claim, 7 Drawing Sheets



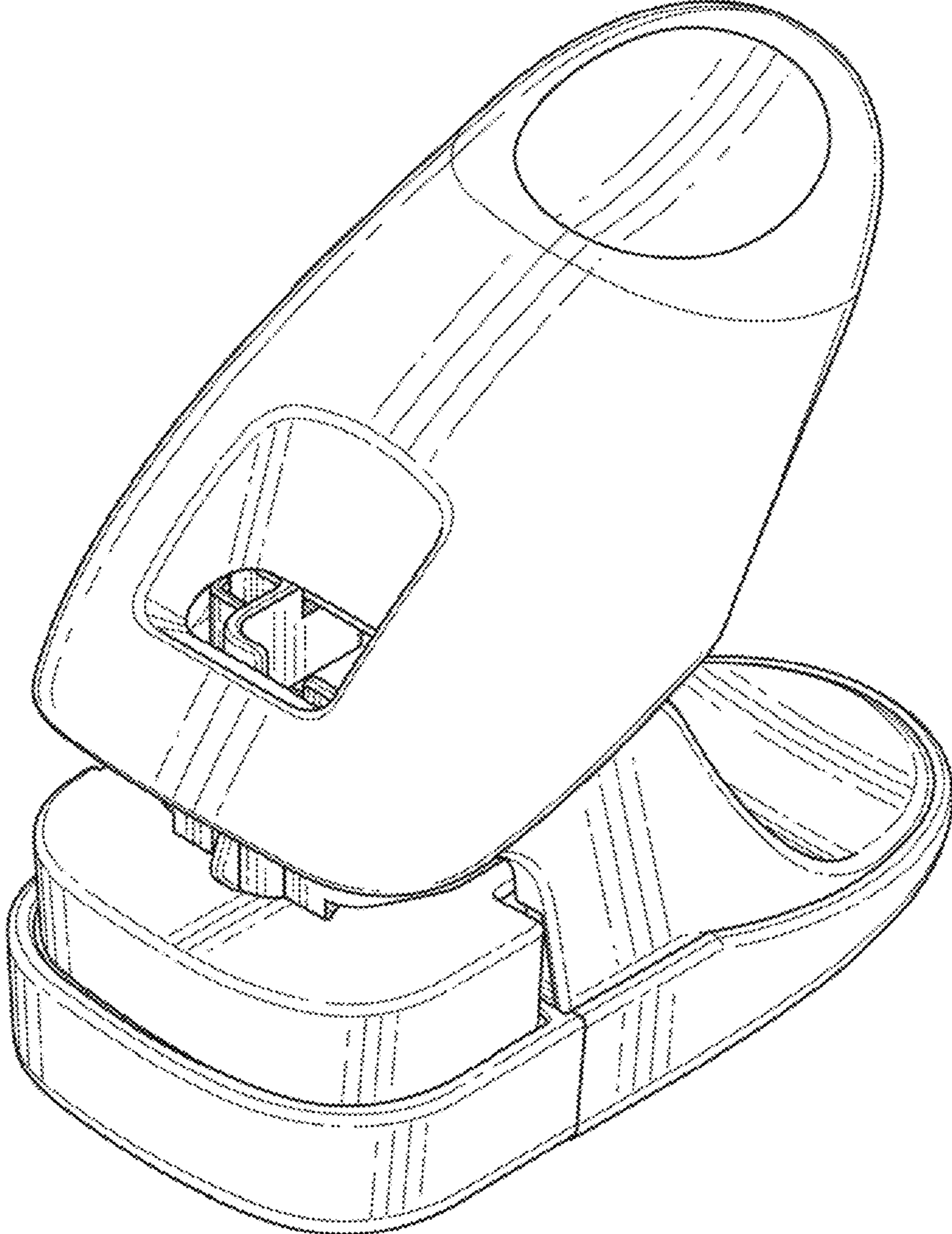


FIG. 1

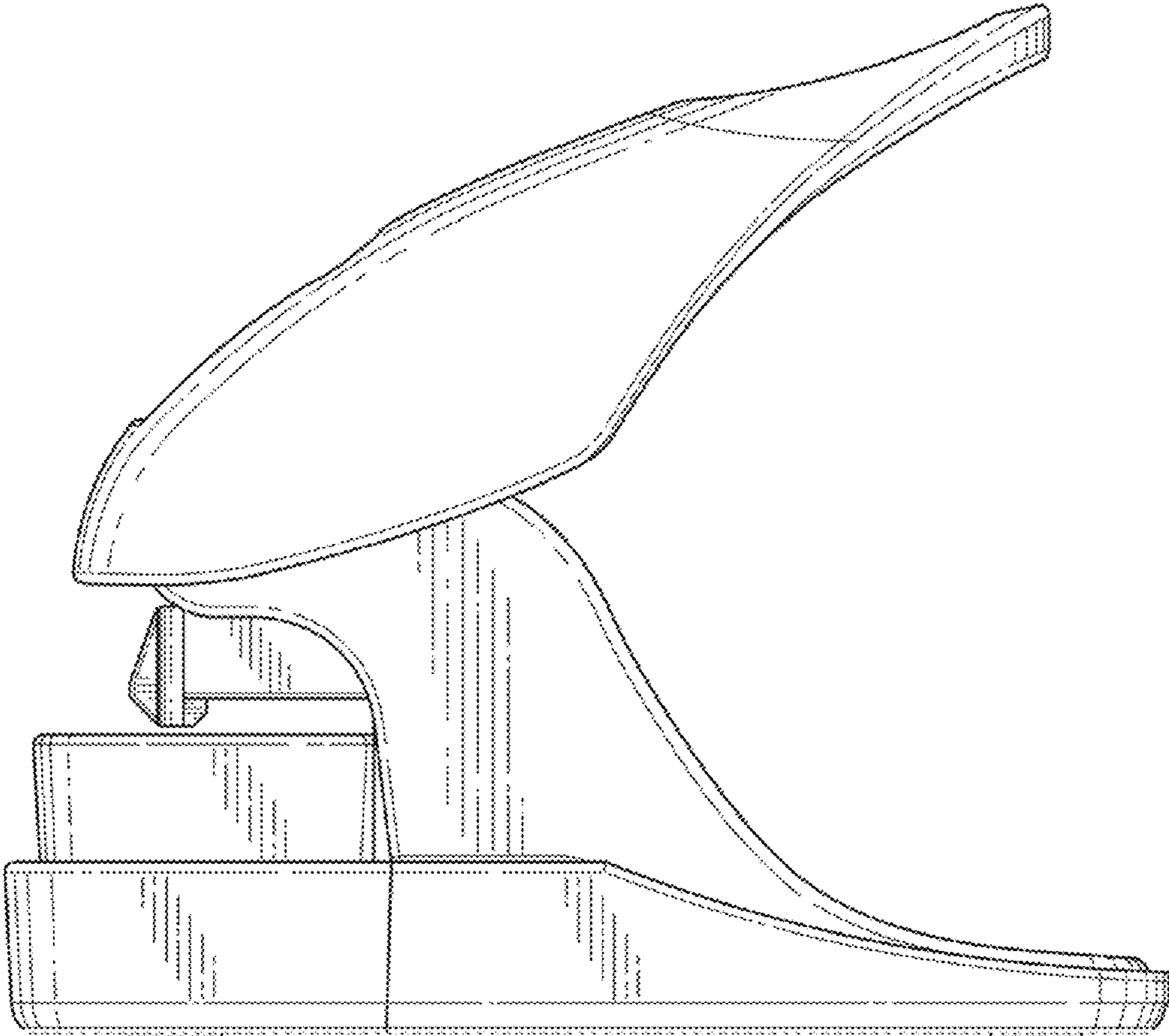


FIG. 2

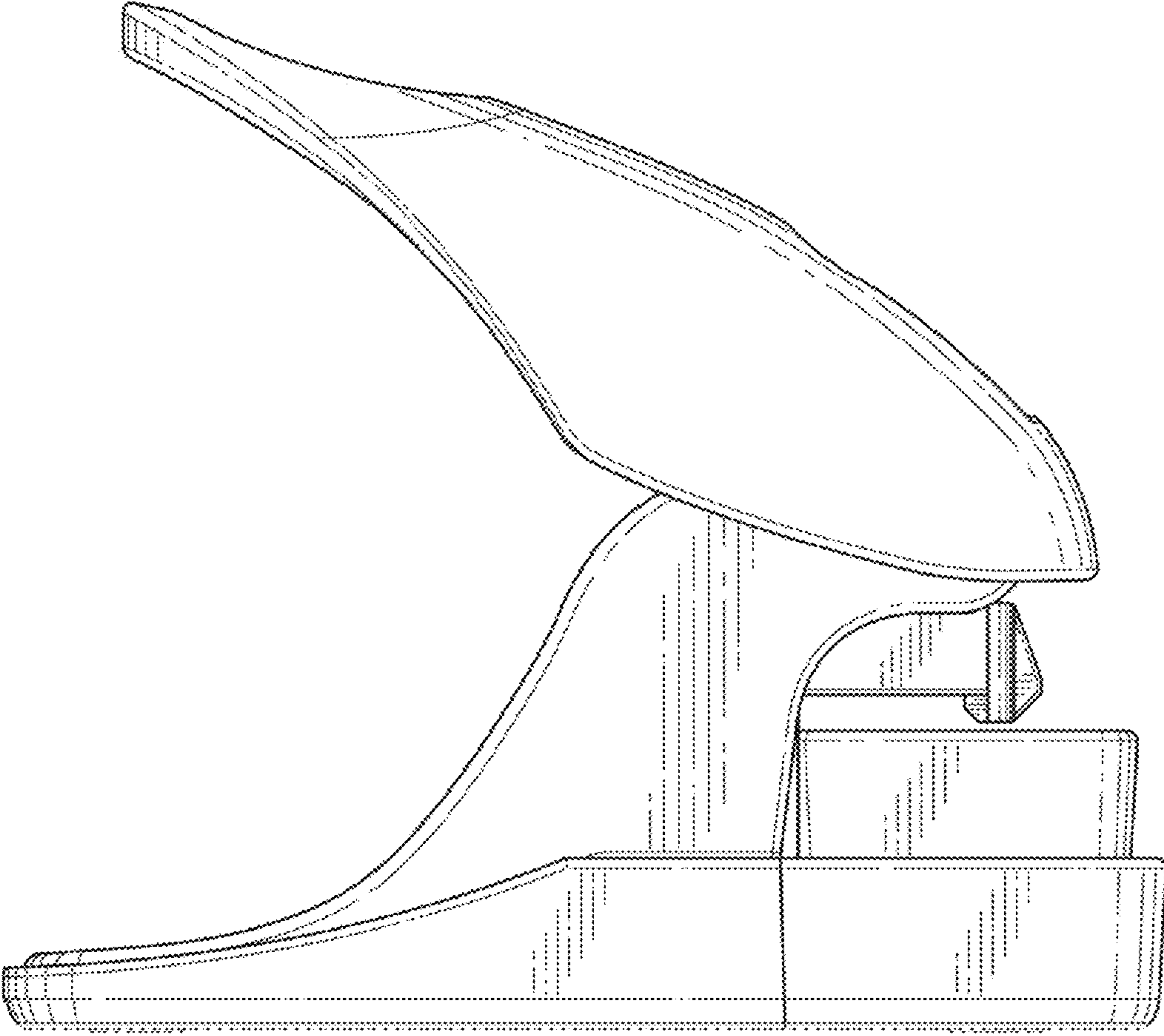


FIG. 3

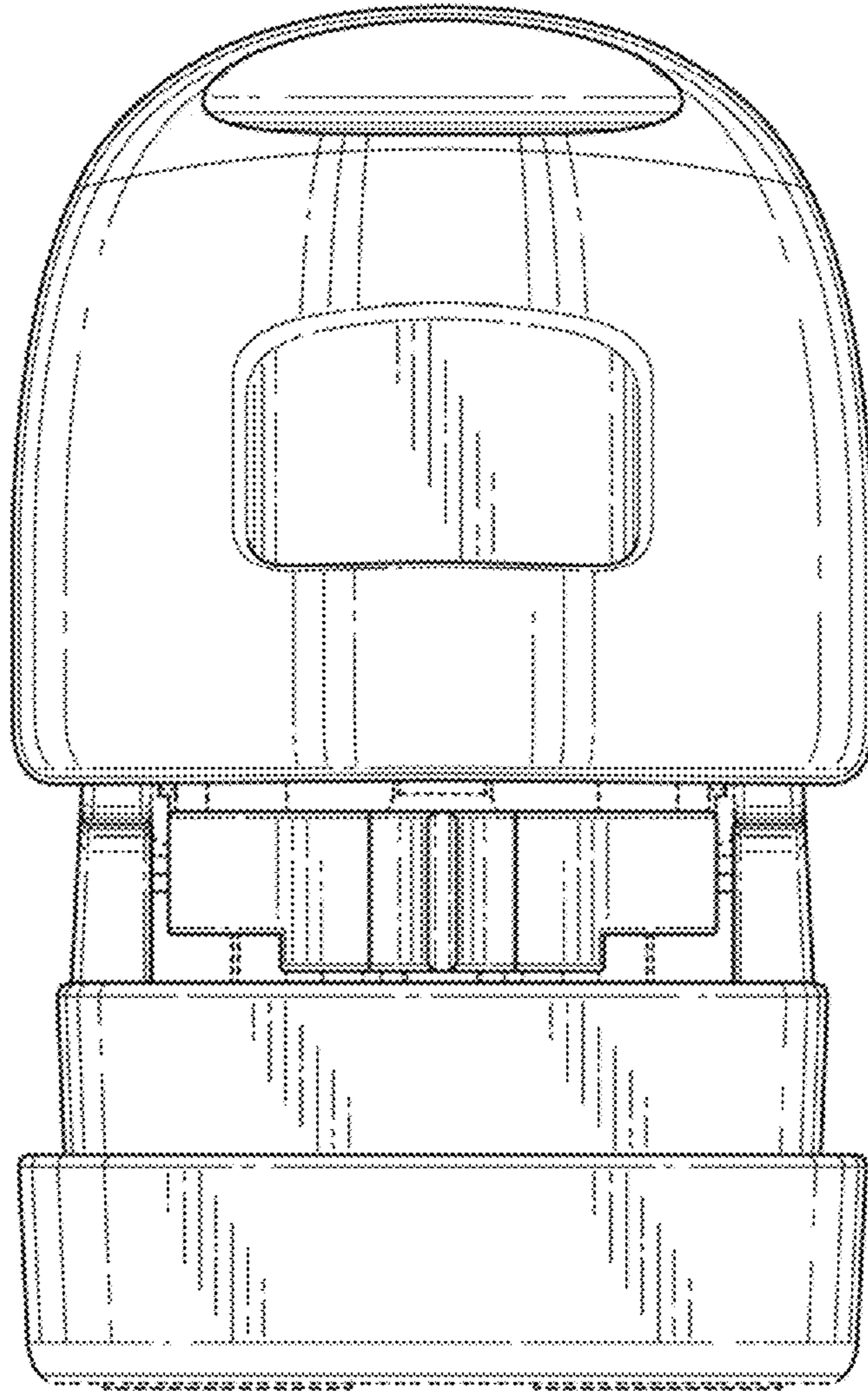


FIG. 4

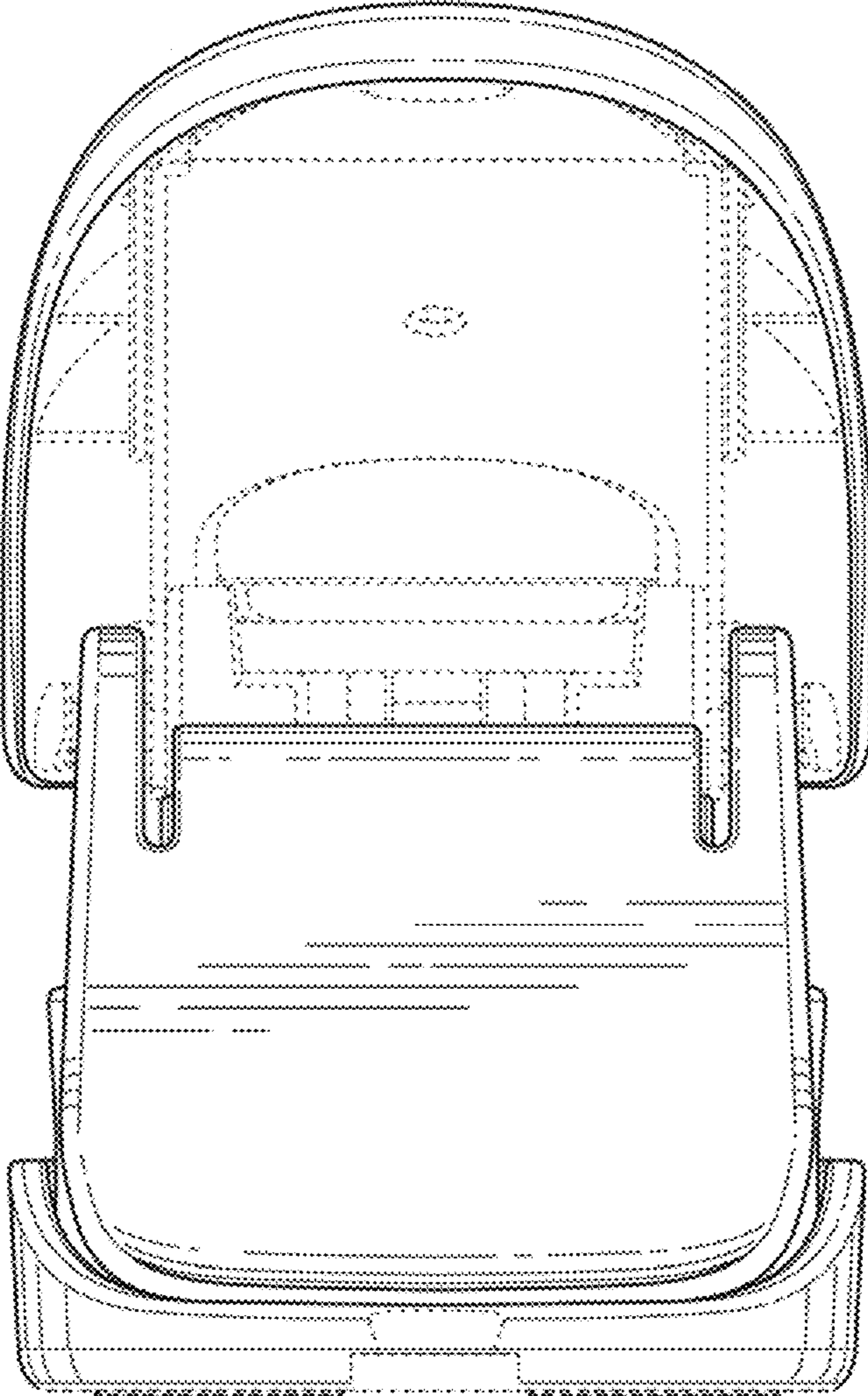


FIG. 5

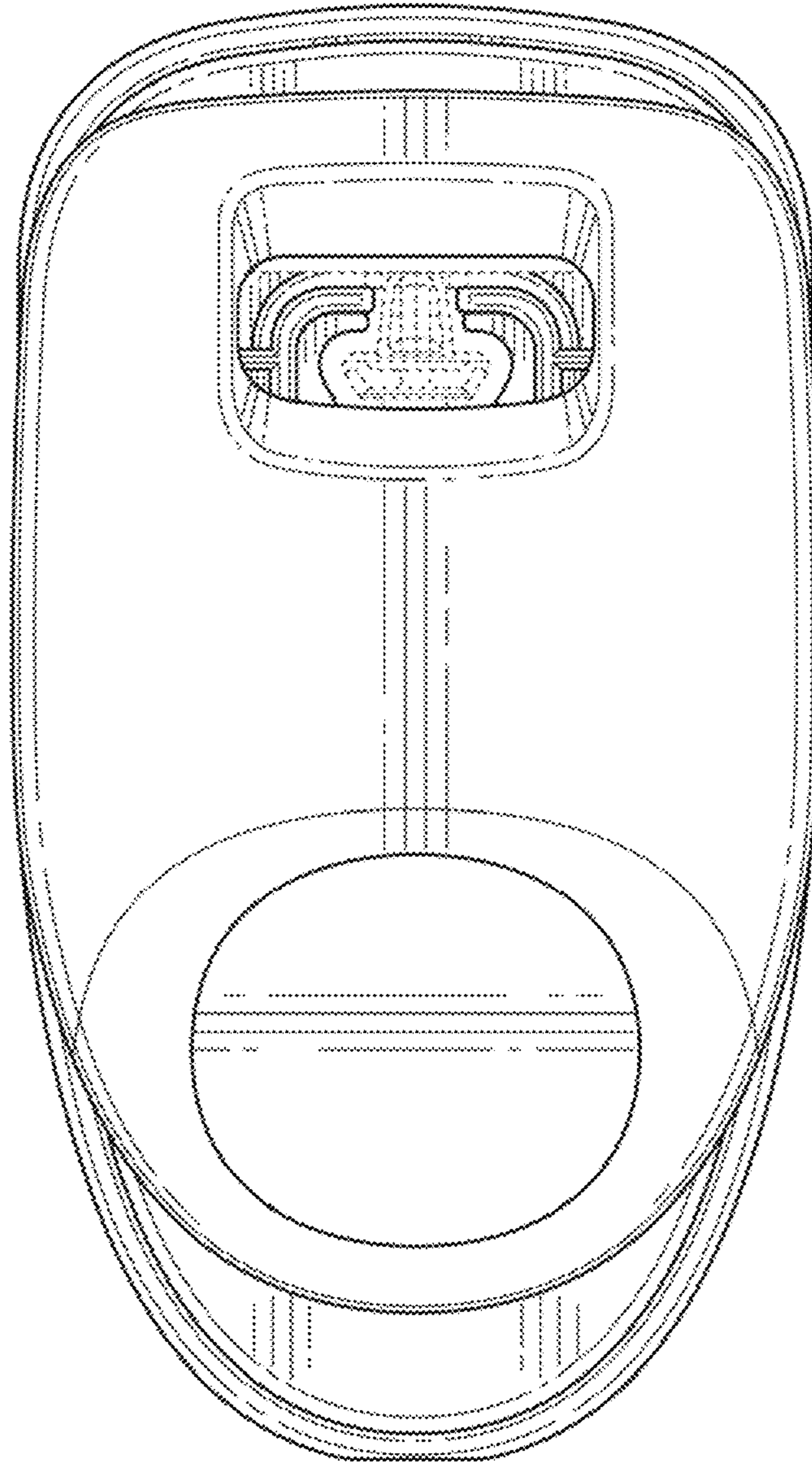


FIG. 6

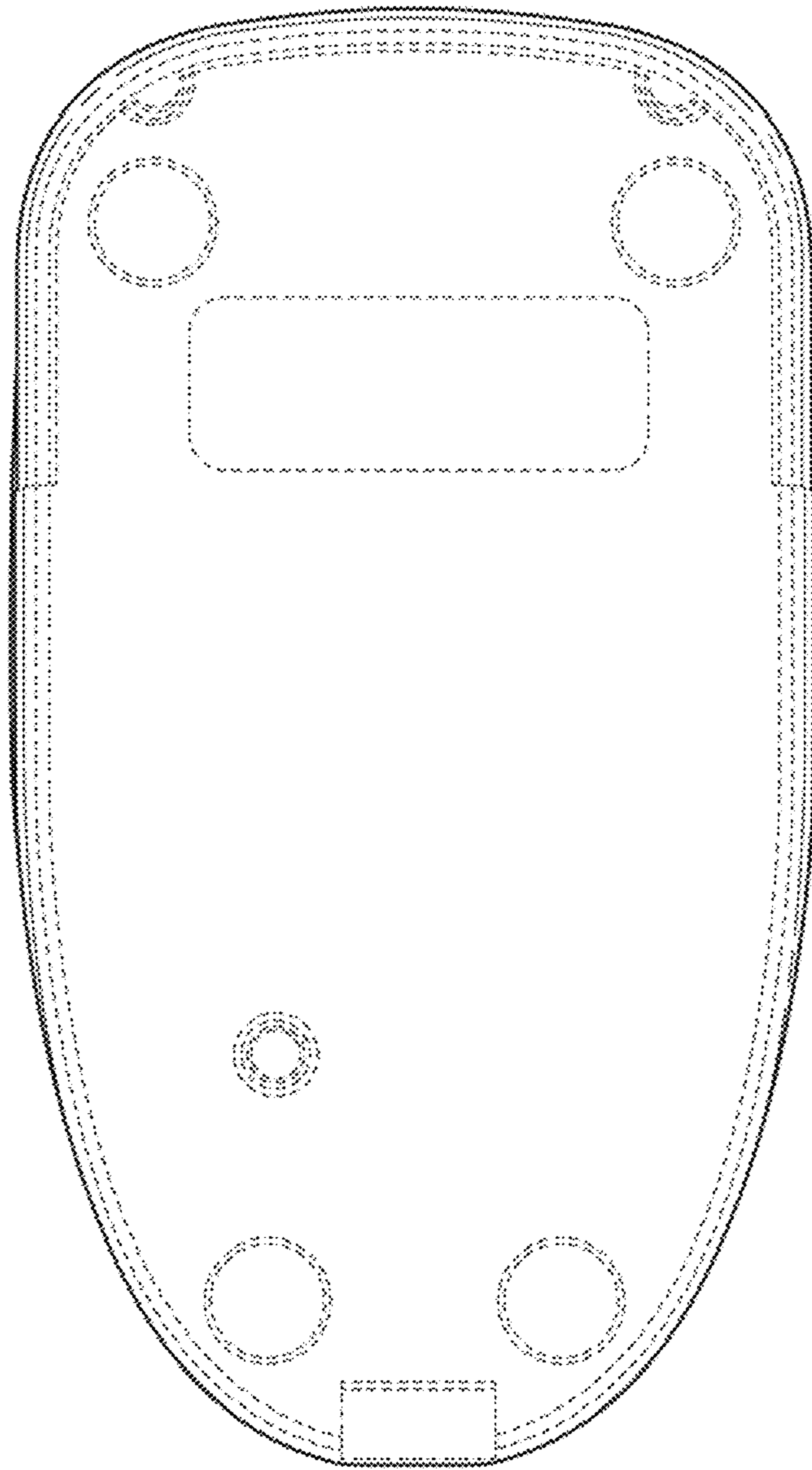


FIG. 7