



US00D704016S

(12) **United States Design Patent**  
**Ye**

(10) **Patent No.:** **US D704,016 S**

(45) **Date of Patent:** **\*\* May 6, 2014**

(54) **COMBINATION CAN AND BOTTLE OPENER**

(71) Applicant: **Hamilton Beach Brands, Inc.**, Glen Allen, VA (US)

(72) Inventor: **Guoyao Ye**, Glen Allen, VA (US)

(73) Assignee: **Hamilton Beach Brands, Inc.**, Glen Allen, VA (US)

(\*\*) Term: **14 Years**

(21) Appl. No.: **29/436,489**

(22) Filed: **Nov. 6, 2012**

(51) **LOC (10) Cl.** ..... **07-99**

(52) **U.S. Cl.**  
USPC ..... **D8/43**

(58) **Field of Classification Search**  
USPC ..... D8/17, 18, 19, 21, 22, 26-29, 33-44,  
D8/77, 88, 89, 105; D11/132, 134, 138,  
D11/157, 163; 7/151-156; 30/400-410,  
30/416-430, 433, 434, 443, 450; 81/3.07,  
81/3.09, 3.2, 3.27, 3.29, 3.31, 3.35, 3.37,  
81/3.4, 3.45, 3.48, 3.55  
See application file for complete search history.

(56) **References Cited**

**U.S. PATENT DOCUMENTS**

D280,970	S	*	10/1985	Van Asten et al.	.....	D8/36
D291,173	S	*	8/1987	Stowell et al.	.....	D8/36
D296,979	S	*	8/1988	Yuen	.....	D8/36
D301,828	S	*	6/1989	Wong	.....	D8/36
4,955,261	A		9/1990	Chiang		

D311,481	S	*	10/1990	Van Asten	.....	D8/36
D319,169	S	*	8/1991	van Asten	.....	D8/36
5,079,975	A		1/1992	Spencer, Jr.		
5,095,778	A		3/1992	Bocsi et al.		
5,351,579	A		10/1994	Metz et al.		
5,503,047	A		4/1996	Brockington		
5,724,869	A		3/1998	May		
6,101,899	A		8/2000	Nikolic		
D464,546	S	*	10/2002	Mauffette	.....	D8/40
6,516,524	B1		2/2003	Brady		
6,752,041	B2		6/2004	Lee		
D587,078	S	*	2/2009	Garman	.....	D8/36
8,079,152	B2	*	12/2011	Garman et al.	.....	30/400

\* cited by examiner

*Primary Examiner* — Elizabeth Albert

(74) *Attorney, Agent, or Firm* — Alexander D. Raring

(57) **CLAIM**

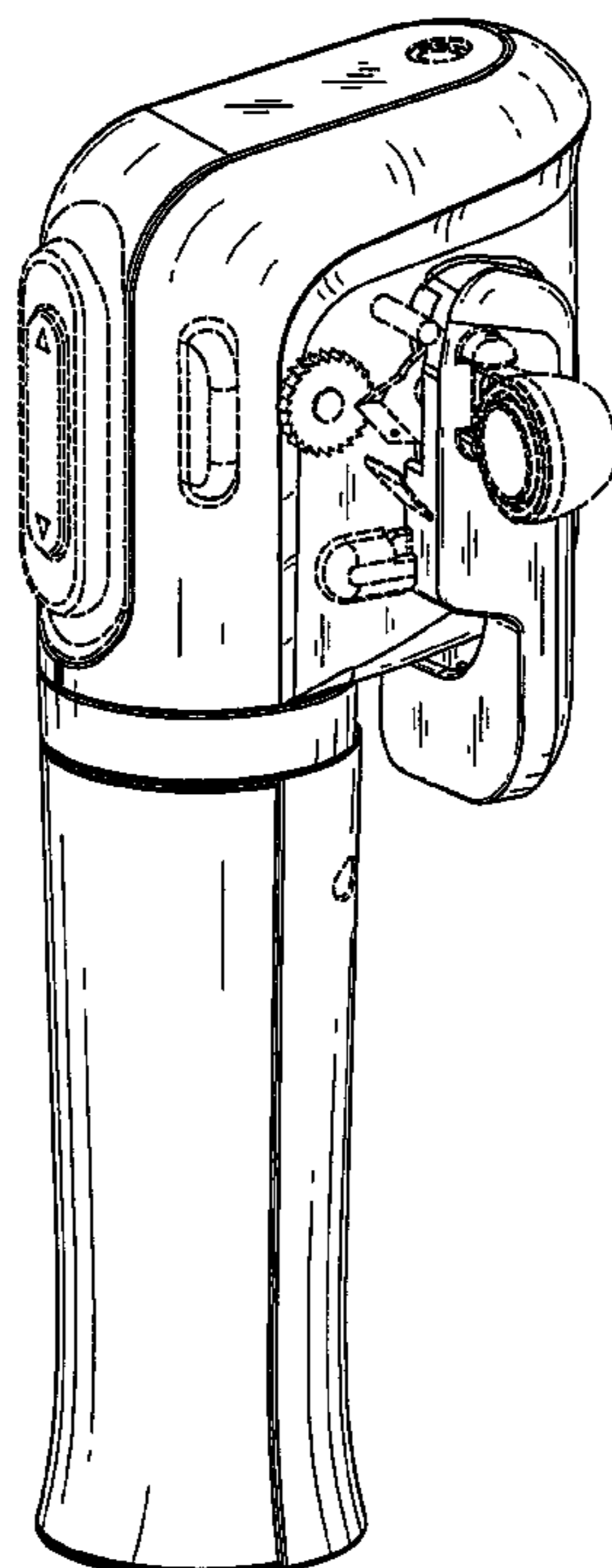
The ornamental design for a combination can and bottle opener, as shown and described.

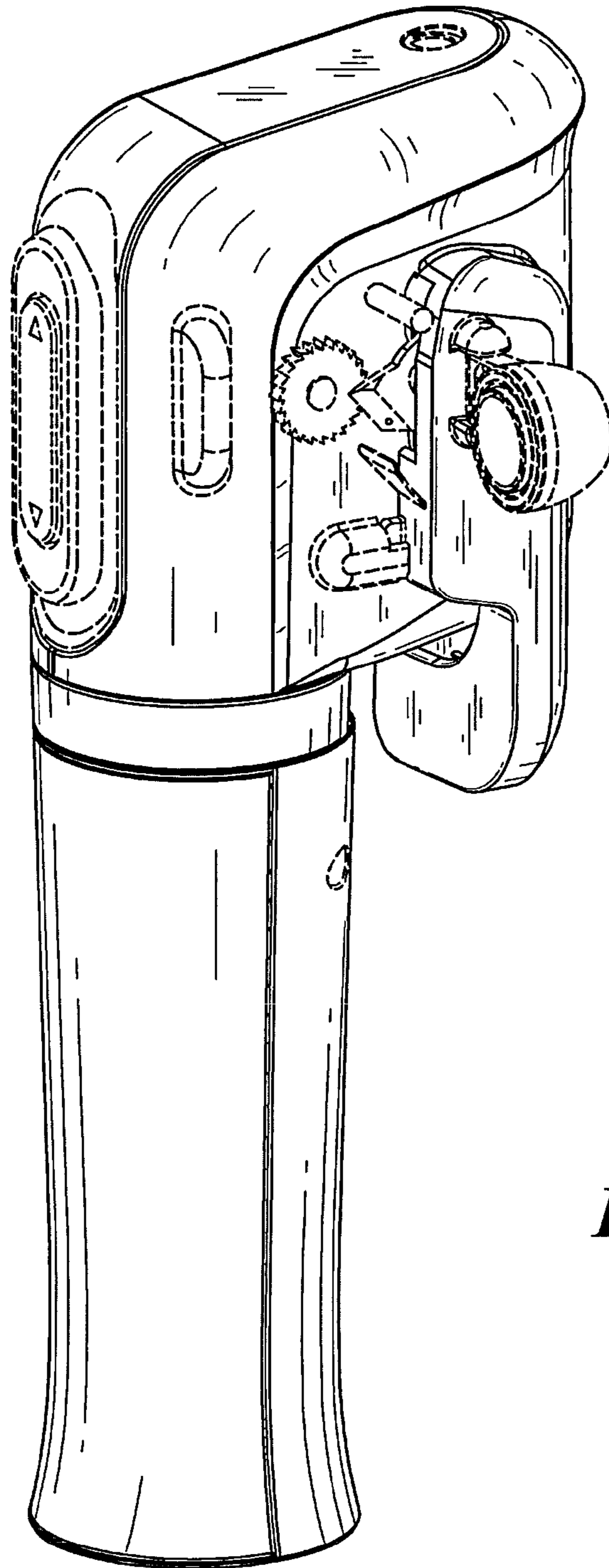
**DESCRIPTION**

FIG. 1 is a top perspective view of a combination can and bottle opener showing the new design; FIG. 2 is a front elevational view thereof; FIG. 3 is a left side elevational view thereof; FIG. 4 is a right side elevational view thereof; FIG. 5 is a rear elevational view thereof; FIG. 6 is a top plan view thereof; and, FIG. 7 is a bottom plan view thereof.

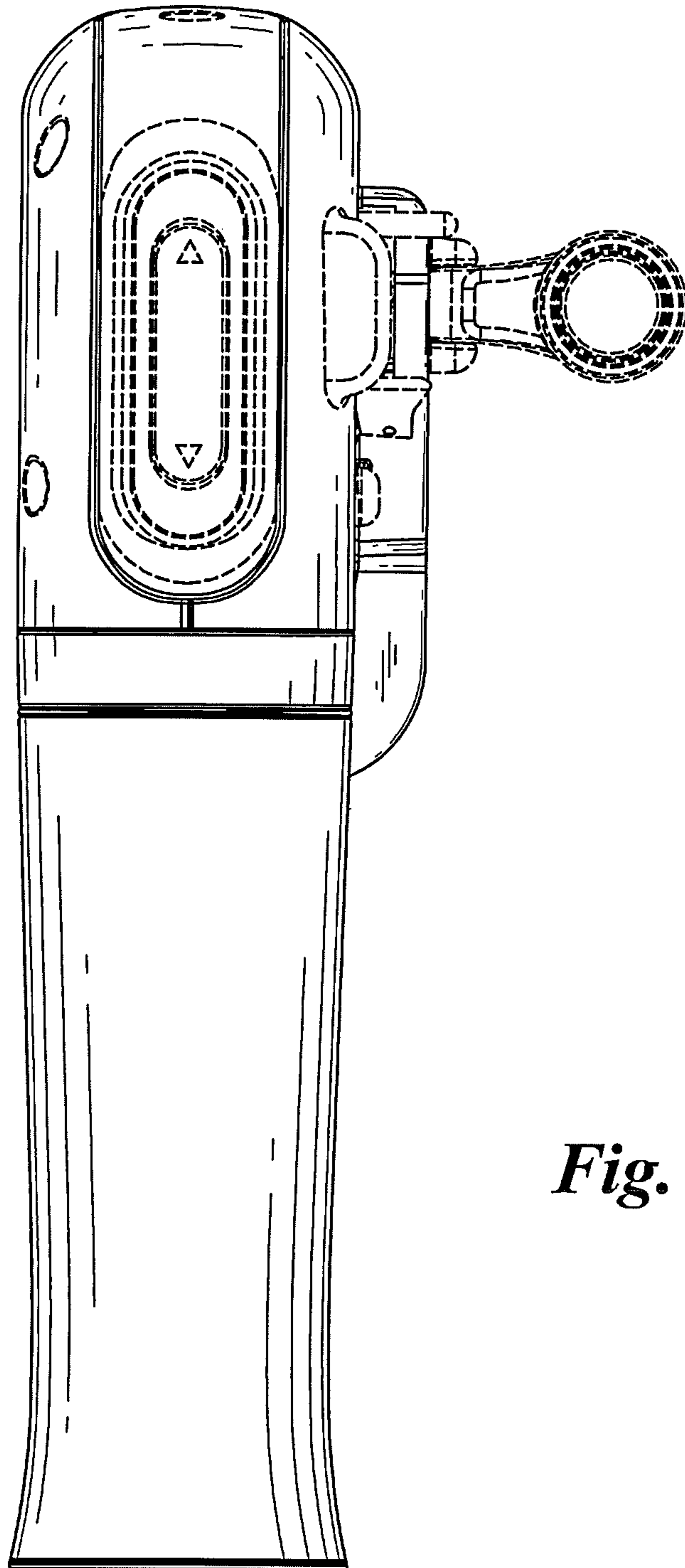
The broken lines in the figures are for the purpose of showing environmental structure and form no part of the claimed design.

**1 Claim, 6 Drawing Sheets**

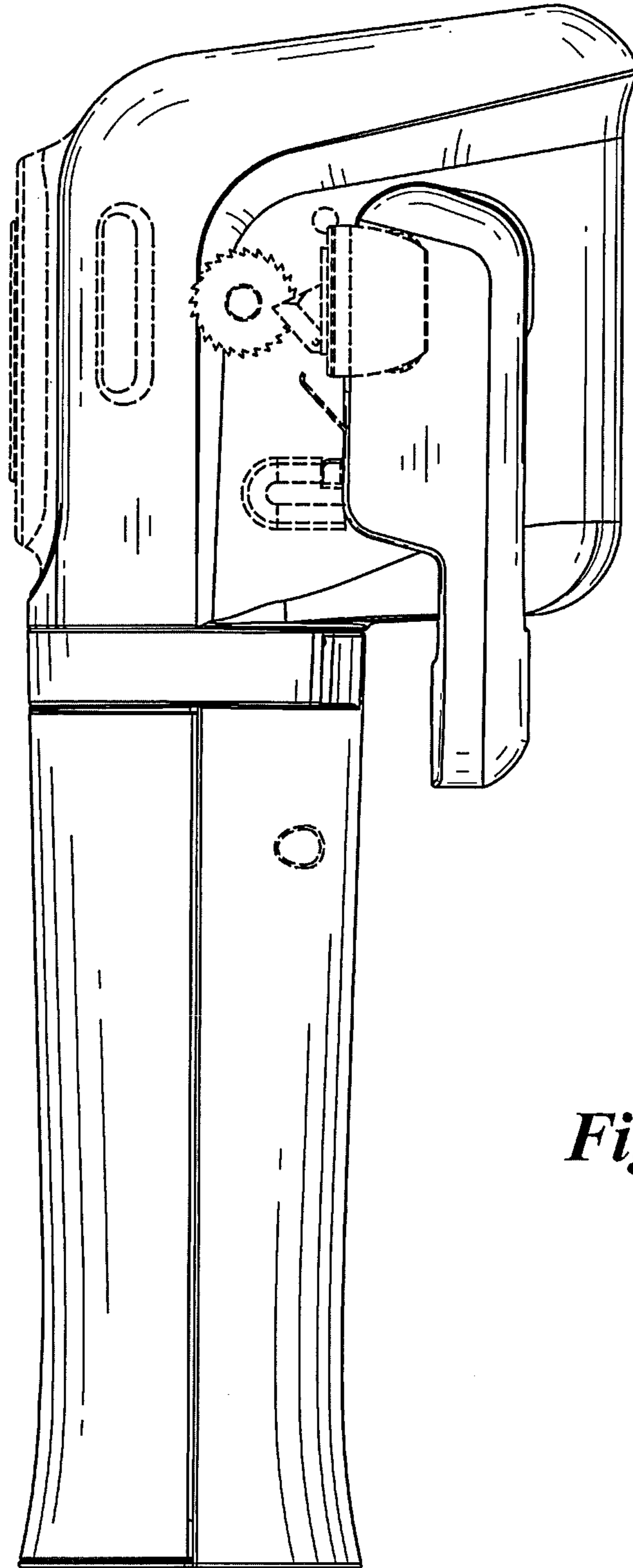




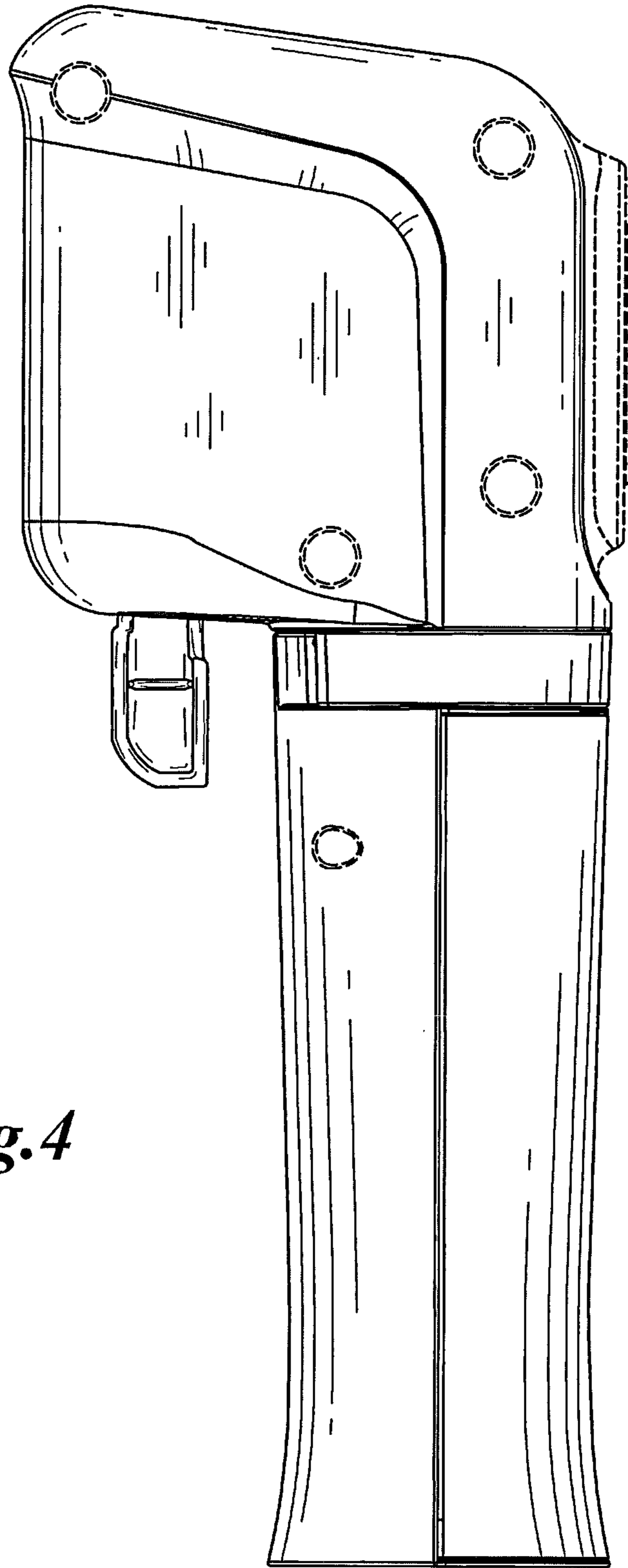
*Fig. 1*



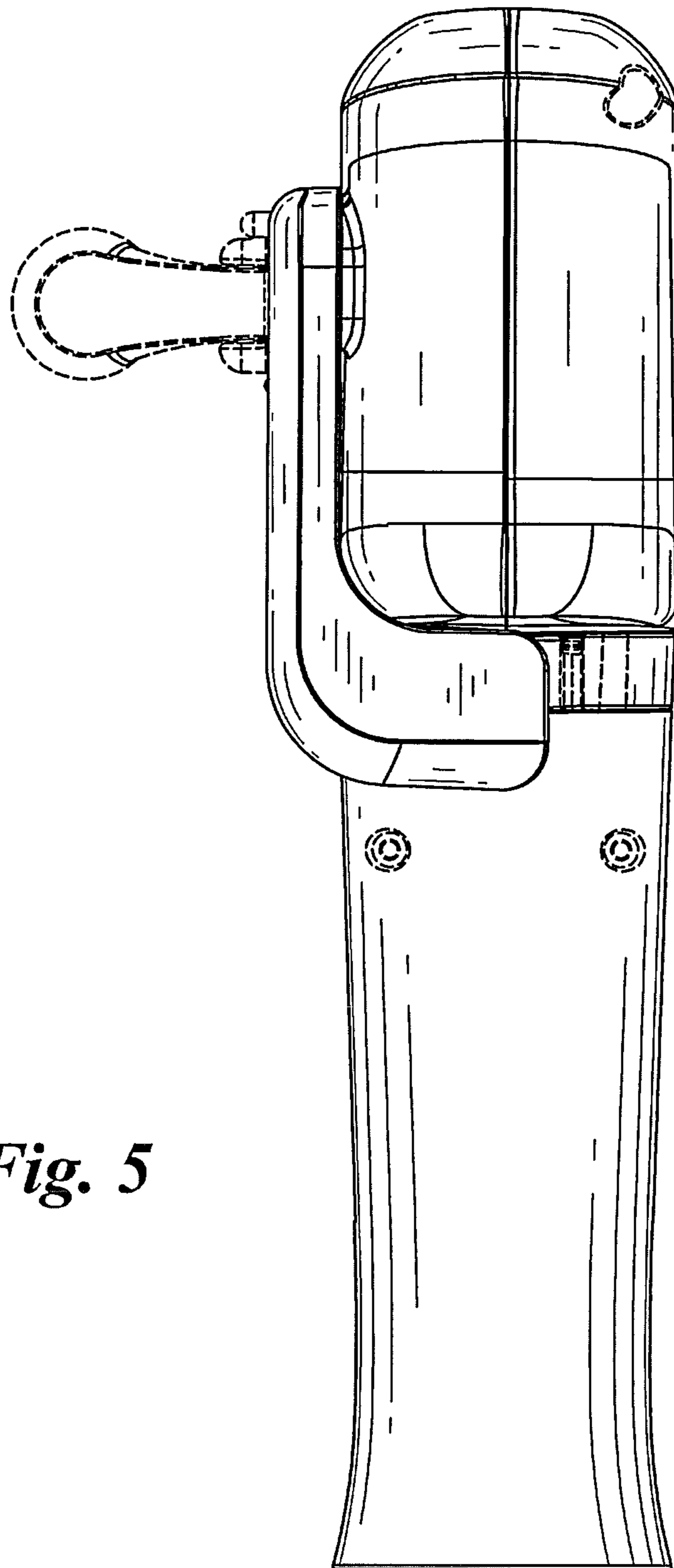
*Fig. 2*



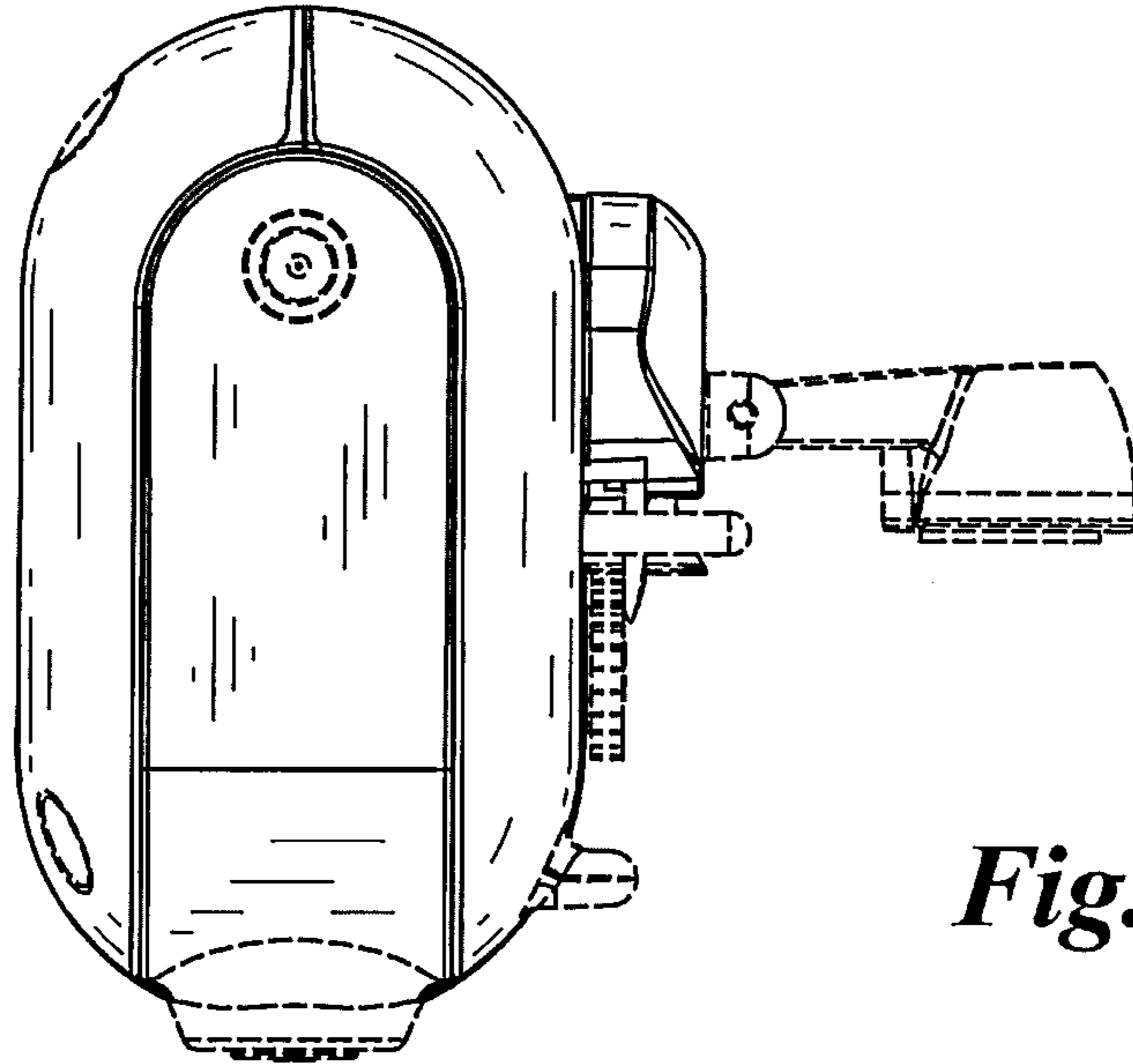
*Fig.3*



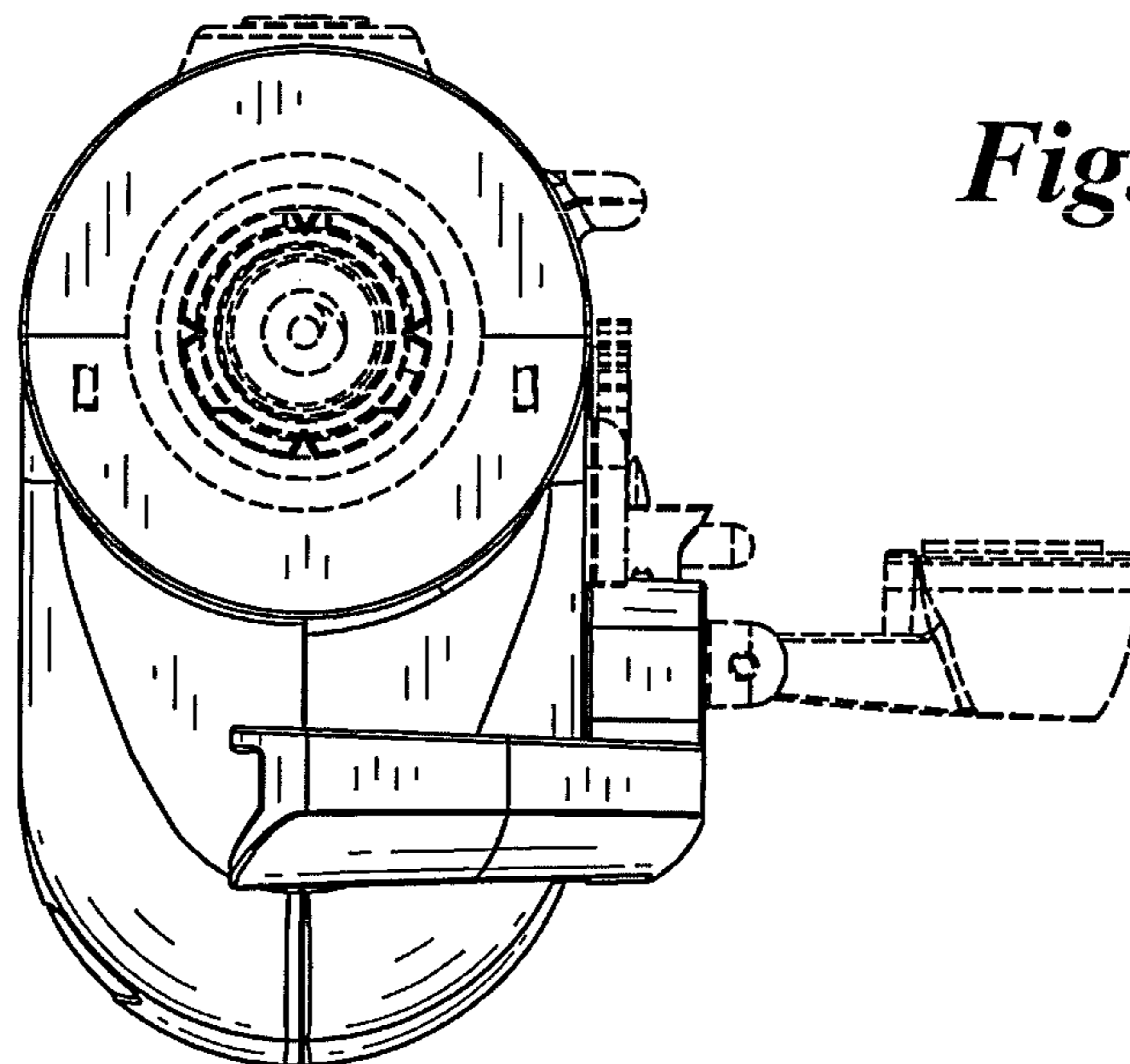
*Fig.4*



*Fig. 5*



*Fig. 6*



*Fig. 7*