



US00D704015S

(12) **United States Design Patent**  
**Hernandez, Jr. et al.**

(10) **Patent No.:** **US D704,015 S**

(45) **Date of Patent:** **\*\* May 6, 2014**

(54) **T-WRENCH**

(71) Applicant: **Alltrade Tools LLC**, Long Beach, CA  
(US)

(72) Inventors: **Hector R. Hernandez, Jr.**, Fullerton,  
CA (US); **Eric Hennings**, Anaheim, CA  
(US)

(73) Assignee: **Alltrade Tools LLC**, Long Beach, CA  
(US)

(\*\*) Term: **14 Years**

(21) Appl. No.: **29/470,955**

(22) Filed: **Oct. 25, 2013**

(51) **LOC (10) Cl.** ..... **08-05**

(52) **U.S. Cl.**  
USPC ..... **D8/27; D8/25**

(58) **Field of Classification Search**  
USPC ..... D8/25–28, 354, 107; 81/60, 177.1,  
81/177.85, 121.1, 124.3, 165–170, 110.1,  
81/176.2, 124.6, 176.1, 176.15, 177.2,  
81/186; 16/110.1; D15/144.1, 143;  
219/75, 227, 229, 121.16, 121.18

See application file for complete search history.

(56) **References Cited**

U.S. PATENT DOCUMENTS

3,572,188	A *	3/1971	Christian	81/57.46
5,797,300	A *	8/1998	Fairbanks	81/60
D433,894	S *	11/2000	Mathis	D8/25
6,240,809	B1 *	6/2001	Sasarak	81/60
D495,936	S *	9/2004	Middleton	D8/29
7,093,519	B1 *	8/2006	Huang	81/60
8,047,101	B2 *	11/2011	Cross et al.	81/63.1
D654,769	S *	2/2012	Kennedy	D8/25

\* cited by examiner

*Primary Examiner* — Randall Gholson

(74) *Attorney, Agent, or Firm* — Fulwider Patton LLP

(57) **CLAIM**

The ornamental design for a T-wrench, as shown and described.

**DESCRIPTION**

FIG. 1 is a perspective view of an T-wrench, showing our new design;

FIG. 2 is a left view thereof;

FIG. 3 is a right view thereof;

FIG. 4 is a front view thereof;

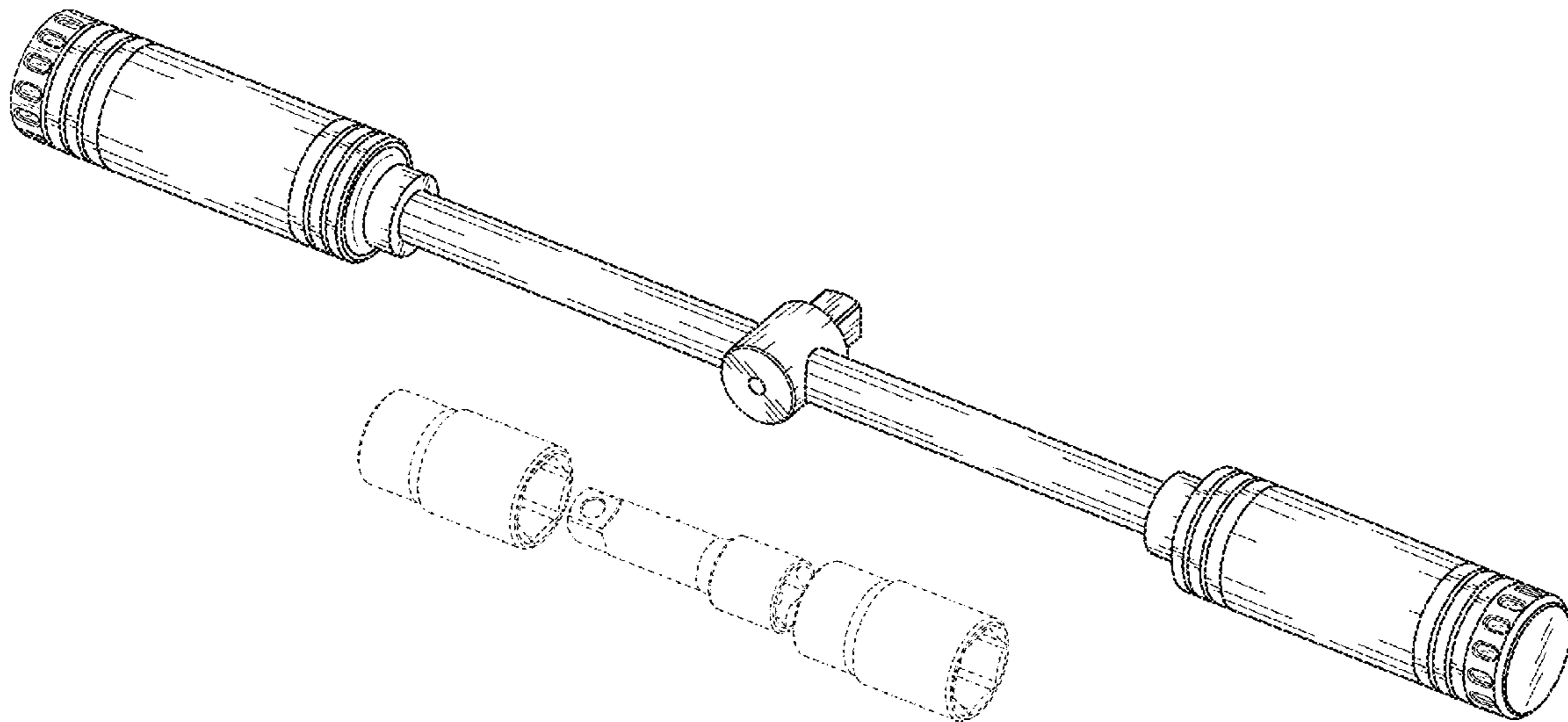
FIG. 5 is a back view thereof;

FIG. 6 is a bottom view thereof; and,

FIG. 7 is a top view thereof.

Those portions of the figures shown in dotted lines form no part of my invention, but are included to show the context and environment of the invention.

**1 Claim, 4 Drawing Sheets**



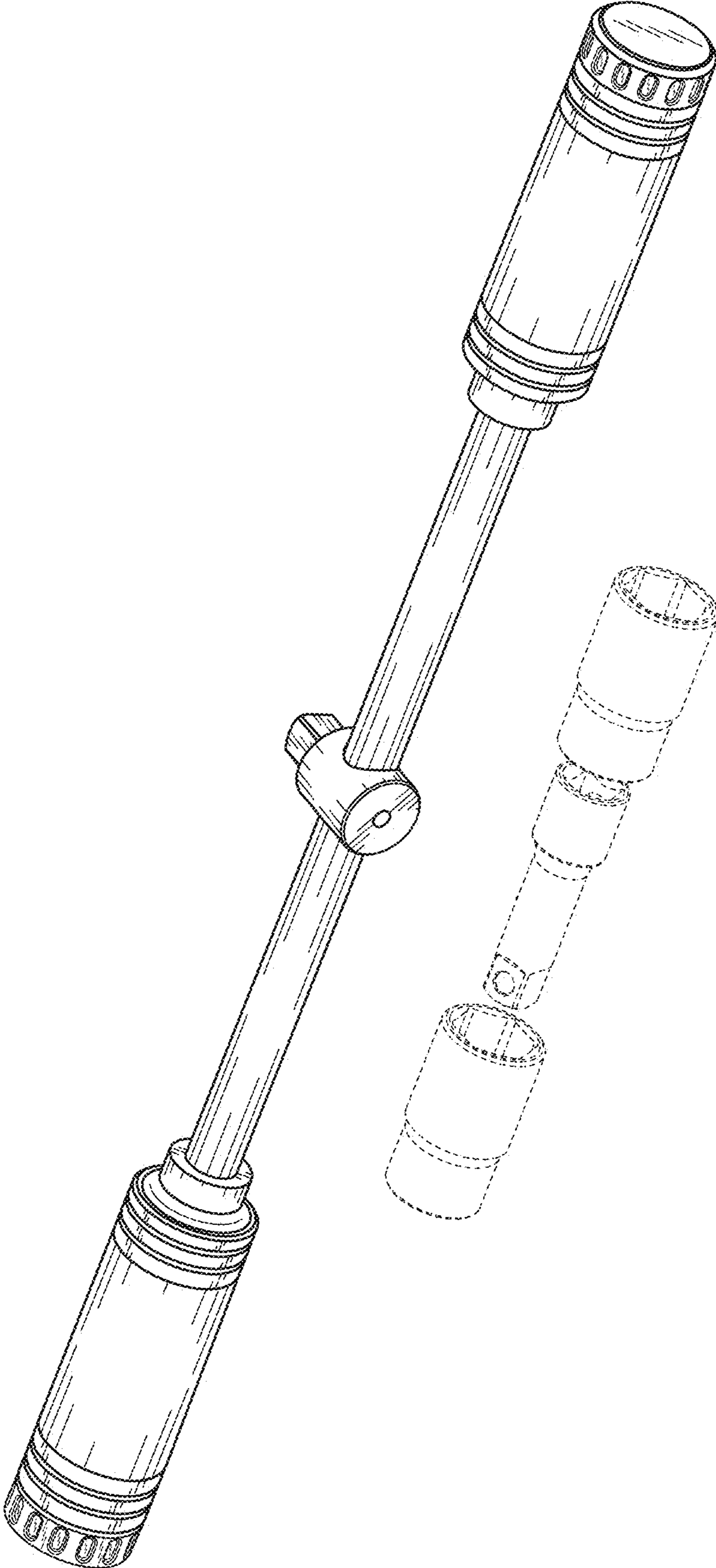


FIG. 1

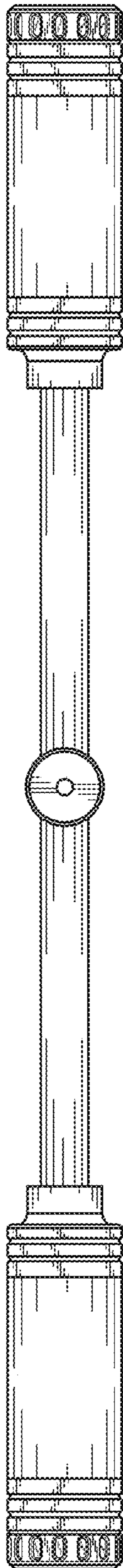


FIG. 2

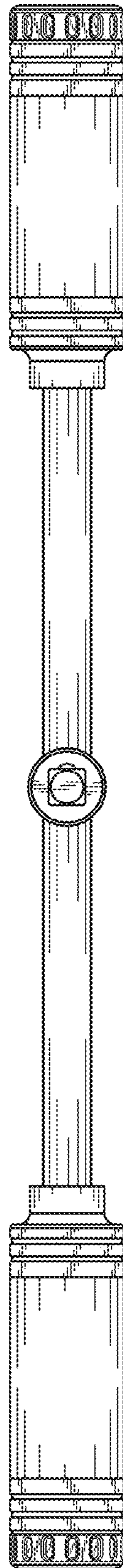


FIG. 3

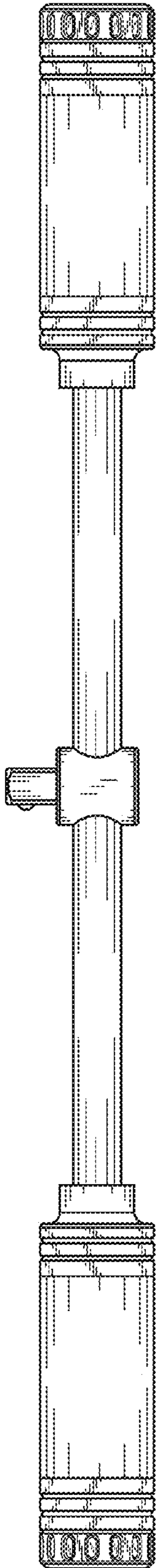


FIG. 4

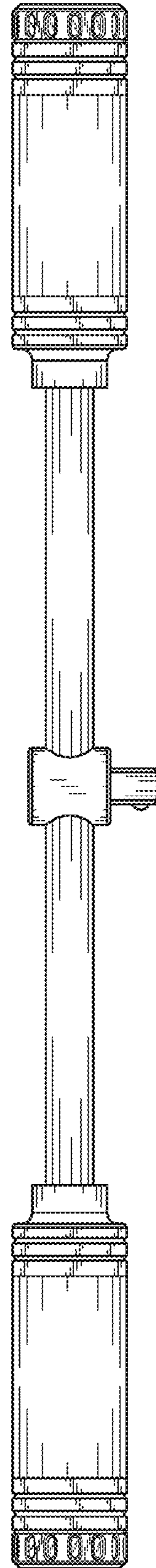


FIG. 5

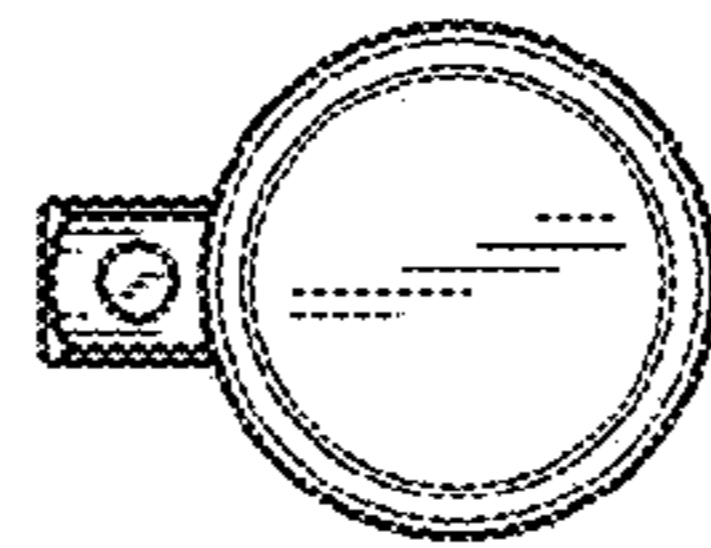


FIG. 6

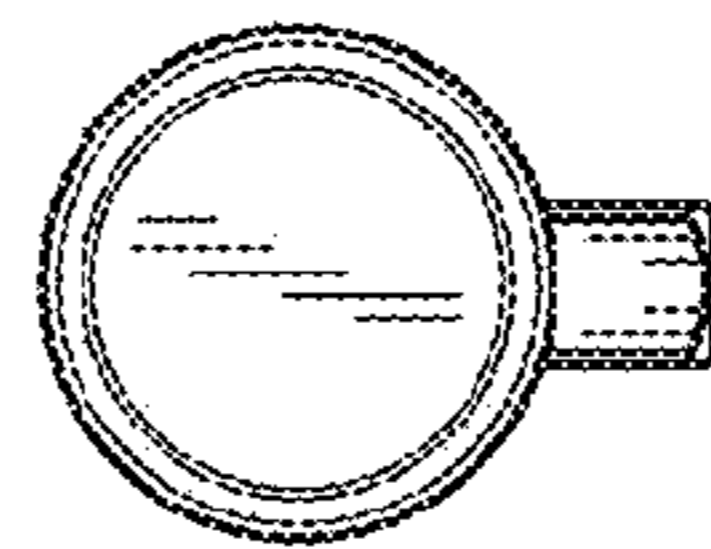


FIG. 7