



US00D704008S

(12) **United States Design Patent**  
**Cavanagh**

(10) **Patent No.:** **US D704,008 S**

(45) **Date of Patent:** **\*\* May 6, 2014**

(54) **UTENSIL HOLDER**  
(71) Applicant: **Courtney Cavanagh**, Warwick, RI (US)  
(72) Inventor: **Courtney Cavanagh**, Warwick, RI (US)  
(\*\*) Term: **14 Years**

(21) Appl. No.: **29/452,058**  
(22) Filed: **Apr. 11, 2013**

**Related U.S. Application Data**

(62) Division of application No. 29/398,045, filed on Jul. 26, 2011, now Pat. No. Des. 682,627.  
(51) **LOC (10) Cl.** ..... **07-06**  
(52) **U.S. Cl.**  
USPC ..... **D7/637**; D7/601  
(58) **Field of Classification Search**  
USPC ..... D7/637-641; D3/299, 905; D9/702,  
D9/711-713; D6/616; 383/29, 4, 127;  
206/548, 553, 373, 459.5; 248/37.6,  
248/37.3, 174; 229/938, 100, 106-108,  
229/111-116, 164, 185.1, 186, 902;  
220/23.8, 606

See application file for complete search history.

(56) **References Cited**

**U.S. PATENT DOCUMENTS**

943,389 A \* 12/1909 Cockrell ..... 229/4.5  
1,747,010 A \* 2/1930 Keller, Jr. .... 206/553  
2,878,486 A \* 3/1959 Bartlett et al. .... 4/144.4  
3,749,233 A \* 7/1973 McCormick, Jr. .... 206/373  
D259,333 S \* 5/1981 Charbonneau ..... D9/712  
4,800,108 A \* 1/1989 Swartz ..... 428/43  
D369,540 S \* 5/1996 Weder et al. .... D9/629

D478,283 S \* 8/2003 Shimakawa ..... D9/713  
7,266,865 B1 \* 9/2007 Rodin ..... 24/530  
D586,663 S \* 2/2009 Tidqvist ..... D9/712  
D596,043 S \* 7/2009 Noble ..... D9/702  
7,745,766 B2 \* 6/2010 Hasse et al. .... 219/730  
2003/0006273 A1 \* 1/2003 Tsern et al. .... 229/115

**OTHER PUBLICATIONS**

Caloway Creations: Jute Silverware Holders, "We Heart It", <http://calowaycreations.blogspot.com/2011/04/jute-silverware-holders.html>—Caloway Creations: Jute Silverware Holders on we heart it/visual bookmark #8980951, pp. 1-3.  
Craftiness is not optional, Utensil Stocking Tutorial, Dec. 8, 2012, <http://theadventuresofroryandjess.blogspot.com/2010/12/utensil-stocking-tutorial.html>. pp. 1-12.

\* cited by examiner

*Primary Examiner* — Terry Wallace

(74) *Attorney, Agent, or Firm* — Barlow, Josephs & Holmes, Ltd.

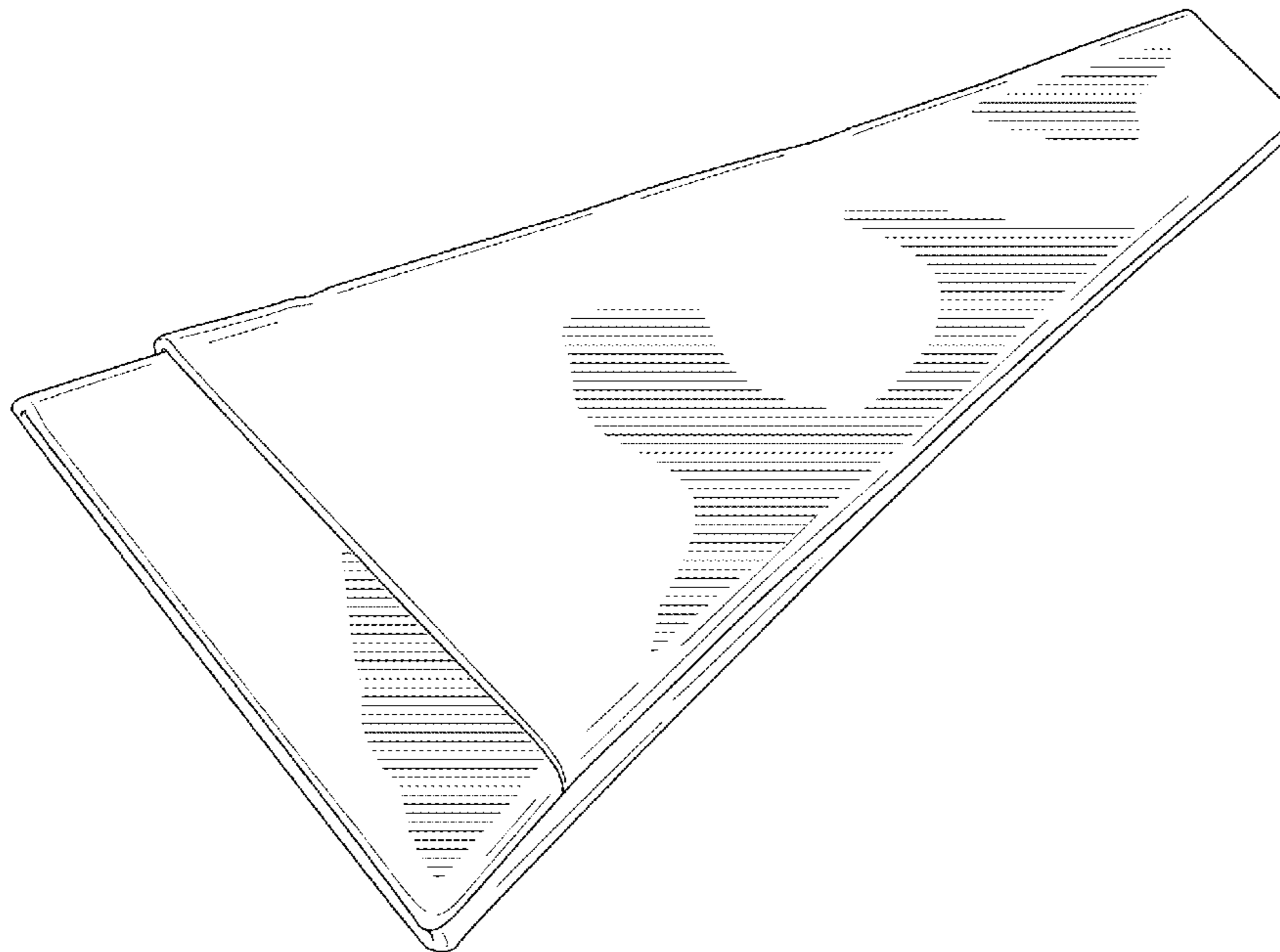
(57) **CLAIM**

The ornamental design for a utensil holder, as shown.

**DESCRIPTION**

FIG. 1 is a front perspective view of the utensil holder showing my new design.  
FIG. 2 is a top view of the design of FIG. 1;  
FIG. 3 is a bottom view of the design of FIG. 1;  
FIG. 4 is a right side view of the design of FIG. 1;  
FIG. 5 is a left side view of the design of FIG. 1;  
FIG. 6 is a front view of the design of FIG. 1; and,  
FIG. 7 is a rear view of the design of FIG. 1.

**1 Claim, 5 Drawing Sheets**



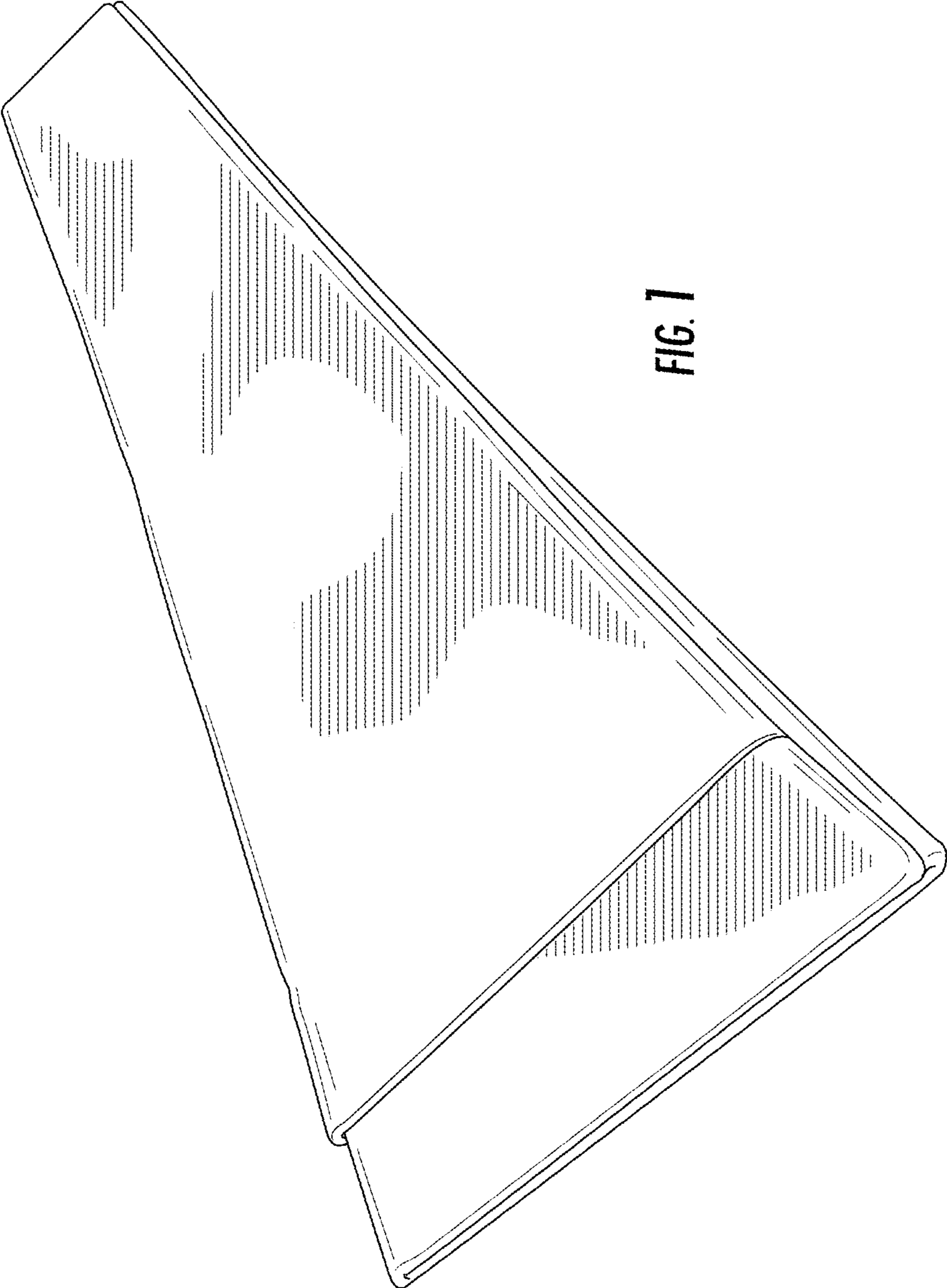


FIG. 1

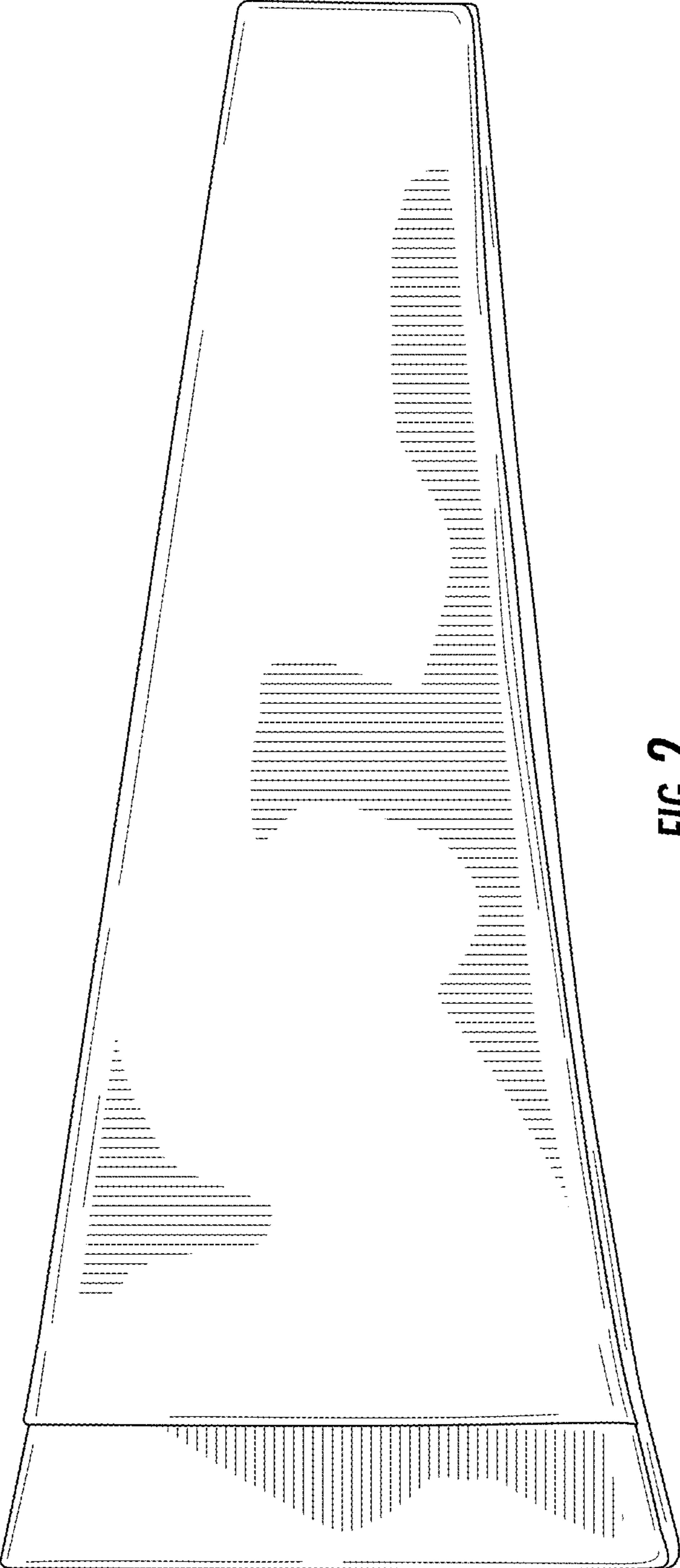


FIG. 2

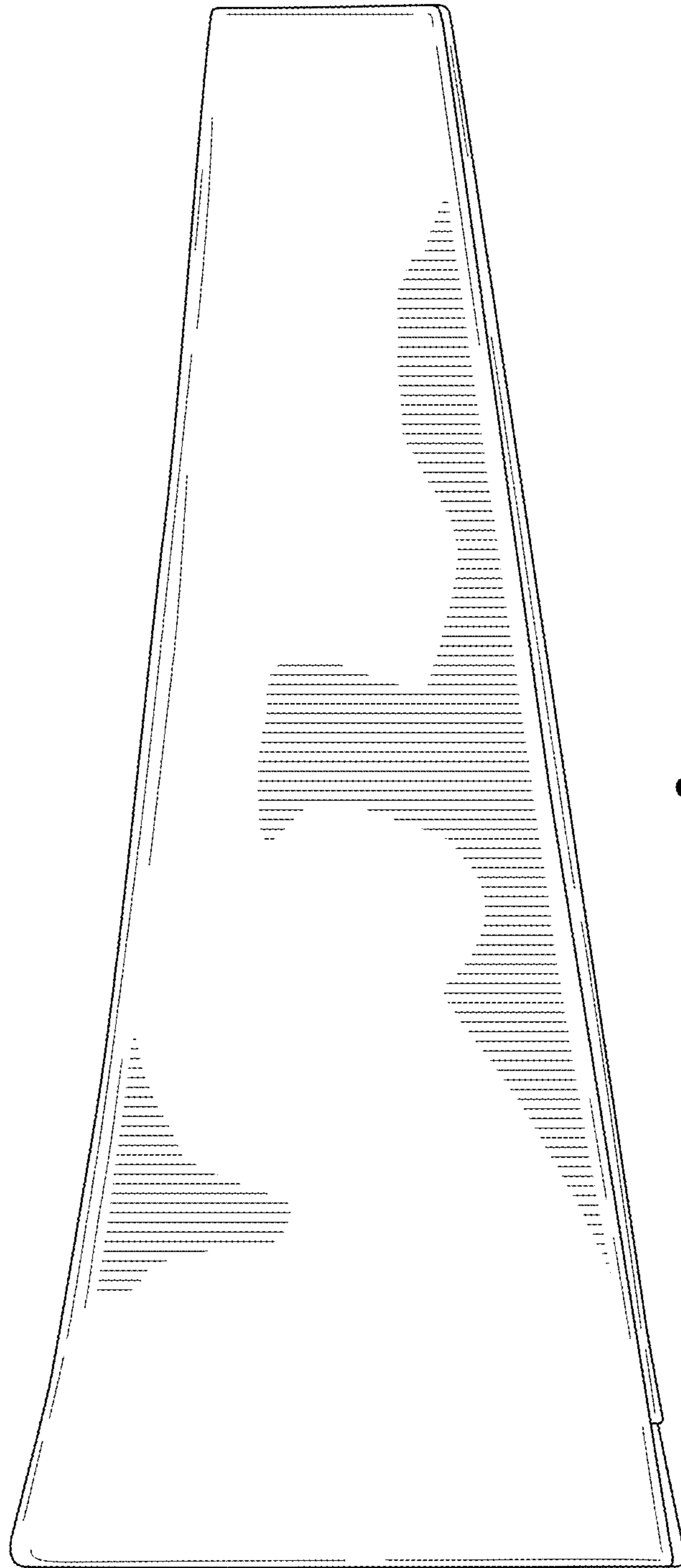


FIG. 3

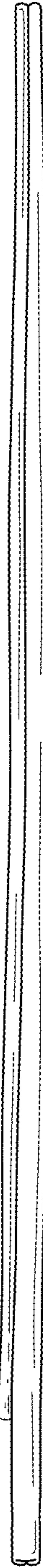


FIG. 4

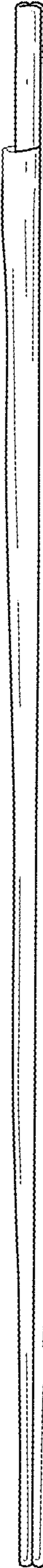
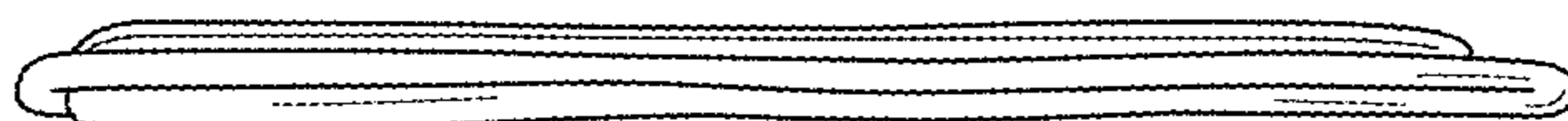
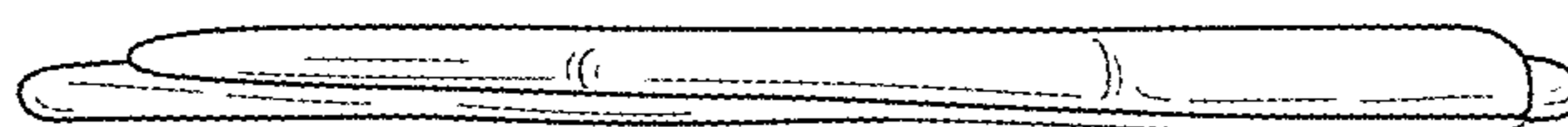


FIG. 5



**FIG. 6**



**FIG. 7**