



US00D704007S

(12) **United States Design Patent**  
**Cashion**

(10) **Patent No.:** **US D704,007 S**

(45) **Date of Patent:** **\*\* May 6, 2014**

(54) **BEVERAGE COASTER**

(71) Applicant: **Charles P. Cashion**, Cornelius, NC (US)

(72) Inventor: **Charles P. Cashion**, Cornelius, NC (US)

(\*\*) Term: **14 Years**

(21) Appl. No.: **29/453,831**

(22) Filed: **May 3, 2013**

(51) **LOC (10) Cl.** ..... **07-06**

(52) **U.S. Cl.**

USPC ..... **D7/625**

(58) **Field of Classification Search**

USPC ..... D7/619.1-625, 607, 608, 624.1, 624.2,  
D7/605, 622, 529, 606; D9/444, 711, 702,  
D9/713, 452, 499, 455, 434; 215/11.6,  
215/392-396, 12.1, 12.2, 13.1; 206/459.5;  
220/737-739, 903, 904, 758-759, 673,  
220/592.17; 229/403, 87.01, 400, 405;  
248/346.11, 309.1, 310, 311.2;  
D19/82, 97; D2/865, 868, 869, 886,  
D2/873, 887, 892; 2/175.1, 175.2, 175.3,  
2/175.4, 175.5, 195.1

See application file for complete search history.

(56) **References Cited**

**U.S. PATENT DOCUMENTS**

D340,077 S *	10/1993	Turner	.....	D19/82
D378,732 S *	4/1997	Lawson	.....	D9/632
D379,111 S *	5/1997	Foray	.....	D2/882
D384,190 S *	9/1997	Kellogg	.....	D2/865
D405,318 S *	2/1999	Steinfels	.....	D7/515
D405,653 S *	2/1999	Carlucci	.....	D7/625
D406,995 S *	3/1999	Petersen et al.	.....	D8/38
5,887,289 A *	3/1999	Theoret	.....	2/425

D414,378 S *	9/1999	Green	.....	D7/515
6,012,174 A *	1/2000	Rech et al.	.....	2/200.1
7,017,196 B2 *	3/2006	Sterling et al.	.....	2/171
D596,670 S *	7/2009	Baker	.....	D19/82
D605,852 S *	12/2009	Yusufov et al.	.....	D3/269
D607,939 S *	1/2010	Baker	.....	D19/82
D635,408 S *	4/2011	Carter	.....	D7/625
D671,171 S *	11/2012	Baker	.....	D19/82
D686,466 S *	7/2013	Carter	.....	D7/625
D698,598 S *	2/2014	Malik	.....	D7/392.1
2009/0199320 A1 *	8/2009	Ng	.....	2/209.3

\* cited by examiner

*Primary Examiner* — Ian Simmons

*Assistant Examiner* — Shannon Morgan

(74) *Attorney, Agent, or Firm* — Tillman Wright, PLLC;  
James D. Wright; David R. Higgins

(57) **CLAIM**

The ornamental design for a beverage coaster, as shown and described.

**DESCRIPTION**

FIG. 1 is a front perspective view showing my new design of a beverage coaster;

FIG. 2 is a front elevational view thereof;

FIG. 3 is a rear elevational view thereof;

FIG. 4 is a right side elevational view thereof;

FIG. 5 is a left side elevational view thereof;

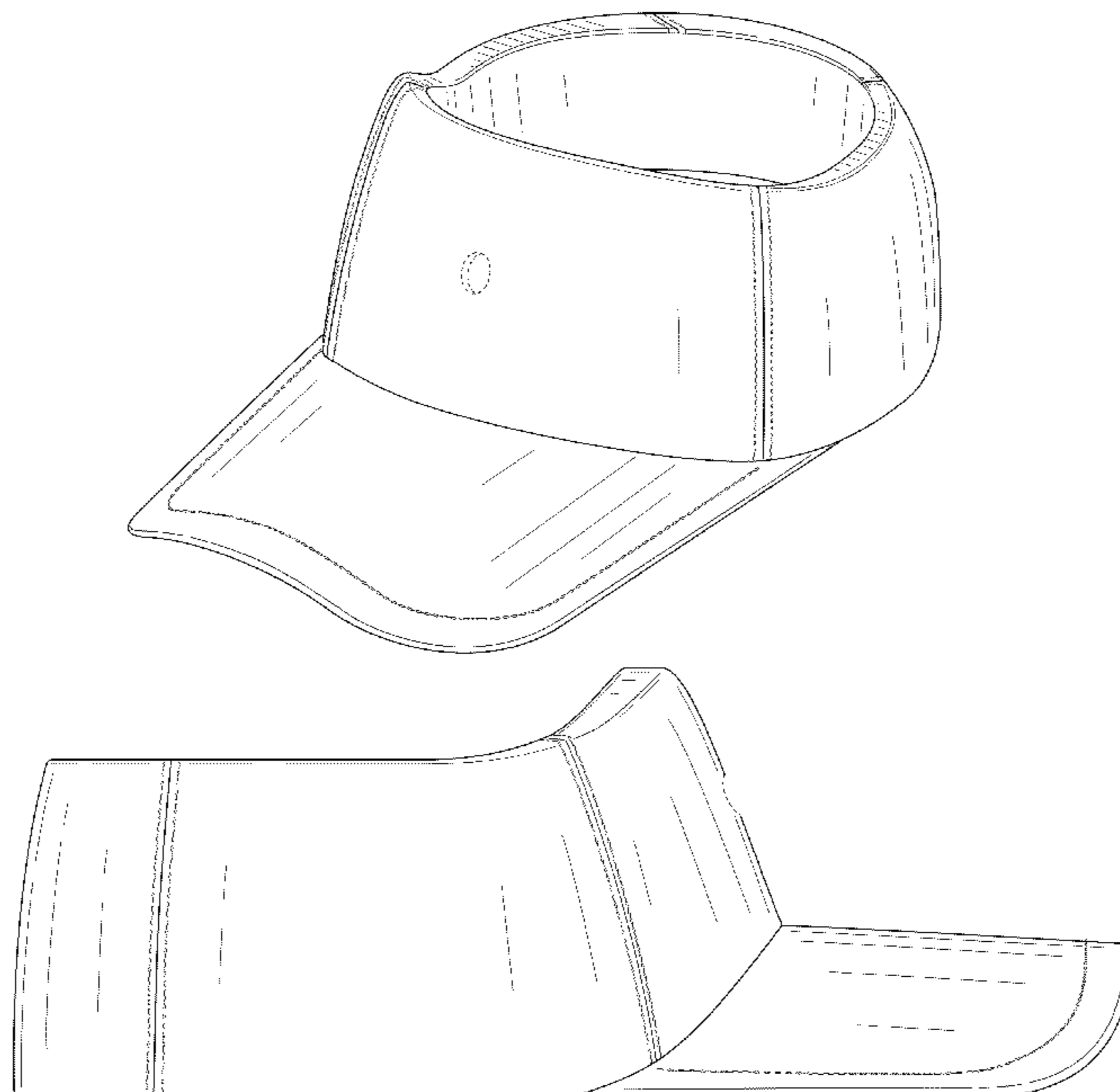
FIG. 6 is a top plan view thereof;

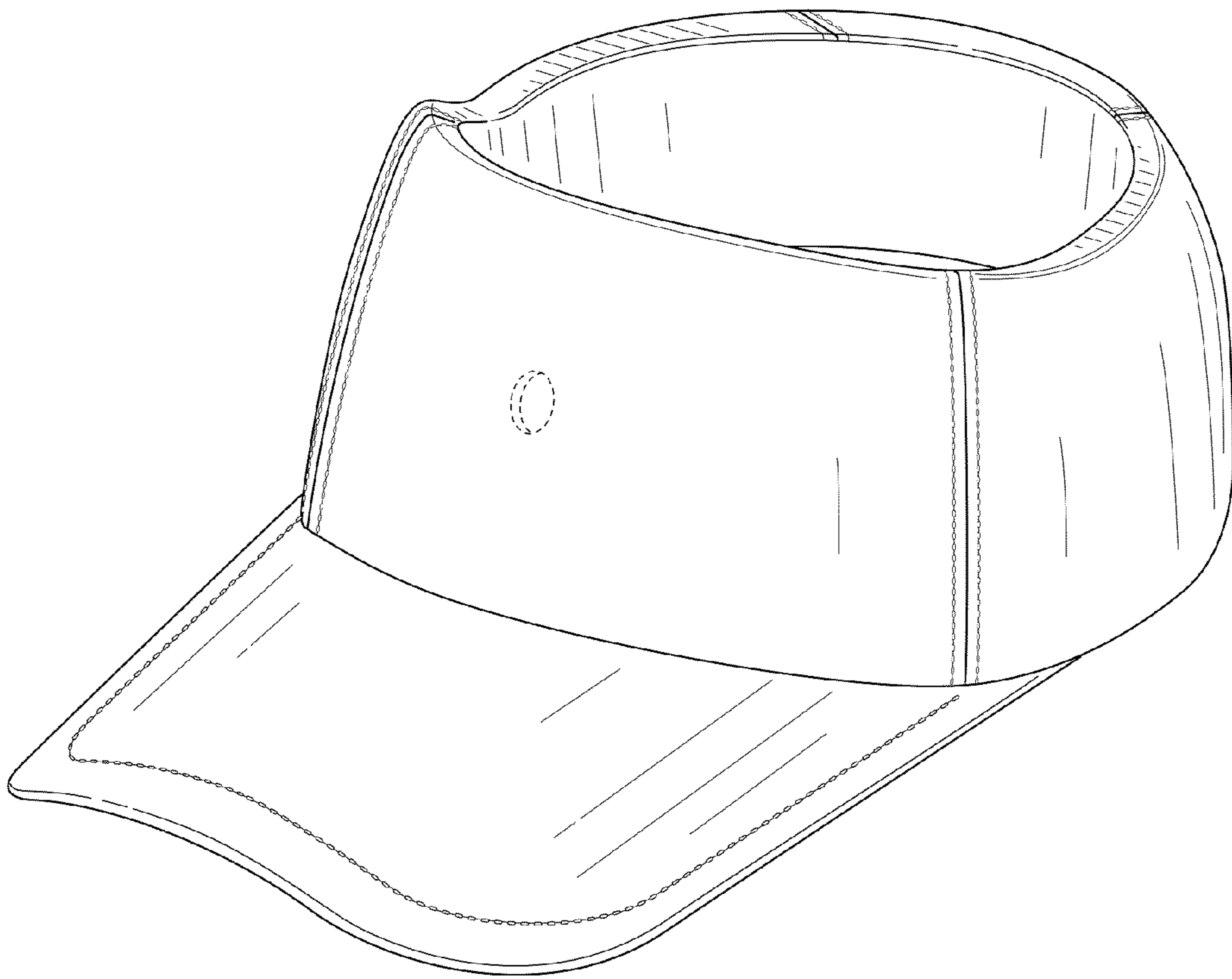
FIG. 7 is a bottom plan view thereof; and,

FIG. 8 is another front perspective view showing my new design of a beverage coaster.

The broken lines in FIGS. 1, 2, 4-6, and 8 of the beverage coaster are for the purpose of illustrating environment, and form no part of the claimed design.

**1 Claim, 7 Drawing Sheets**





**FIG. 1**

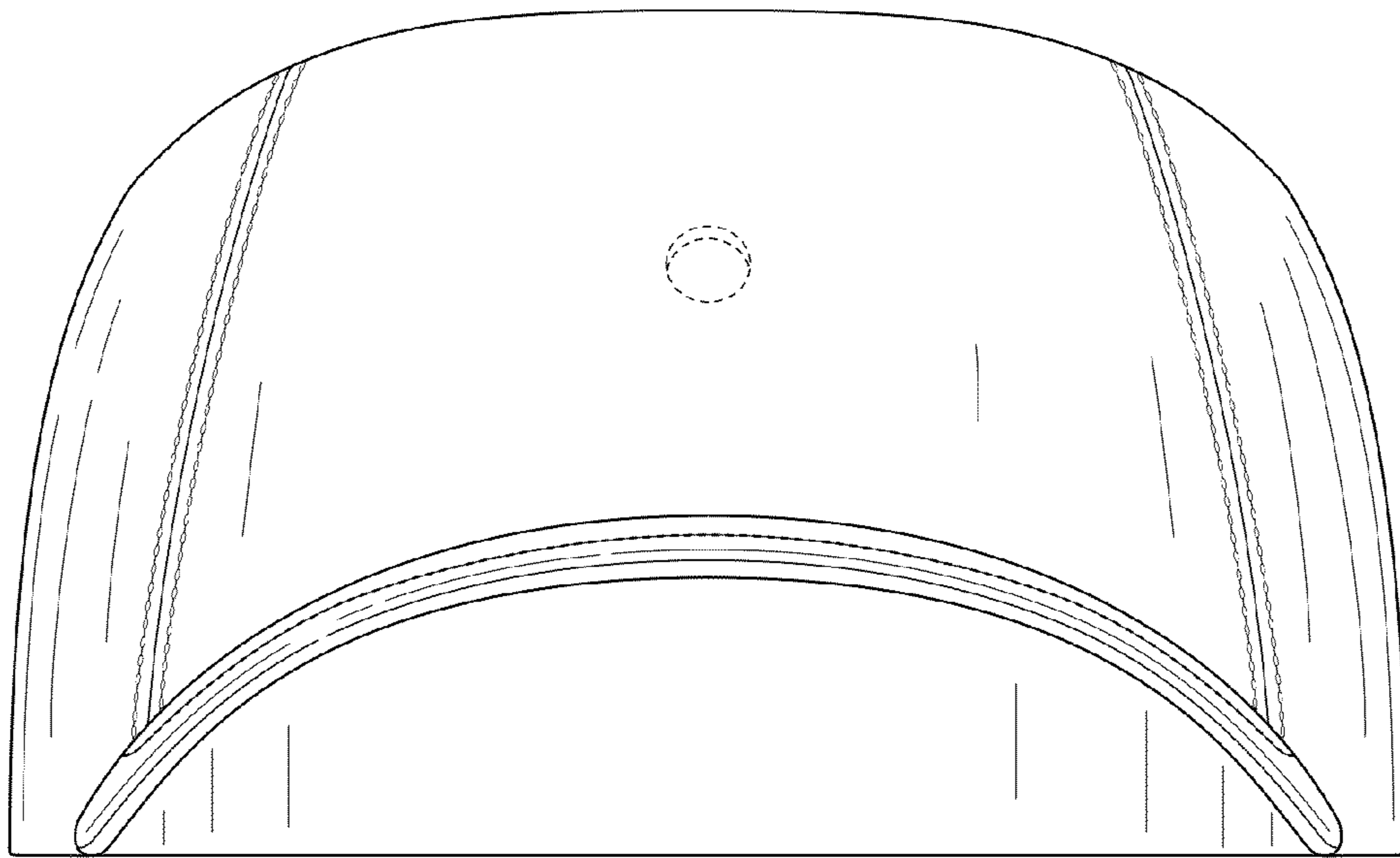


FIG. 2

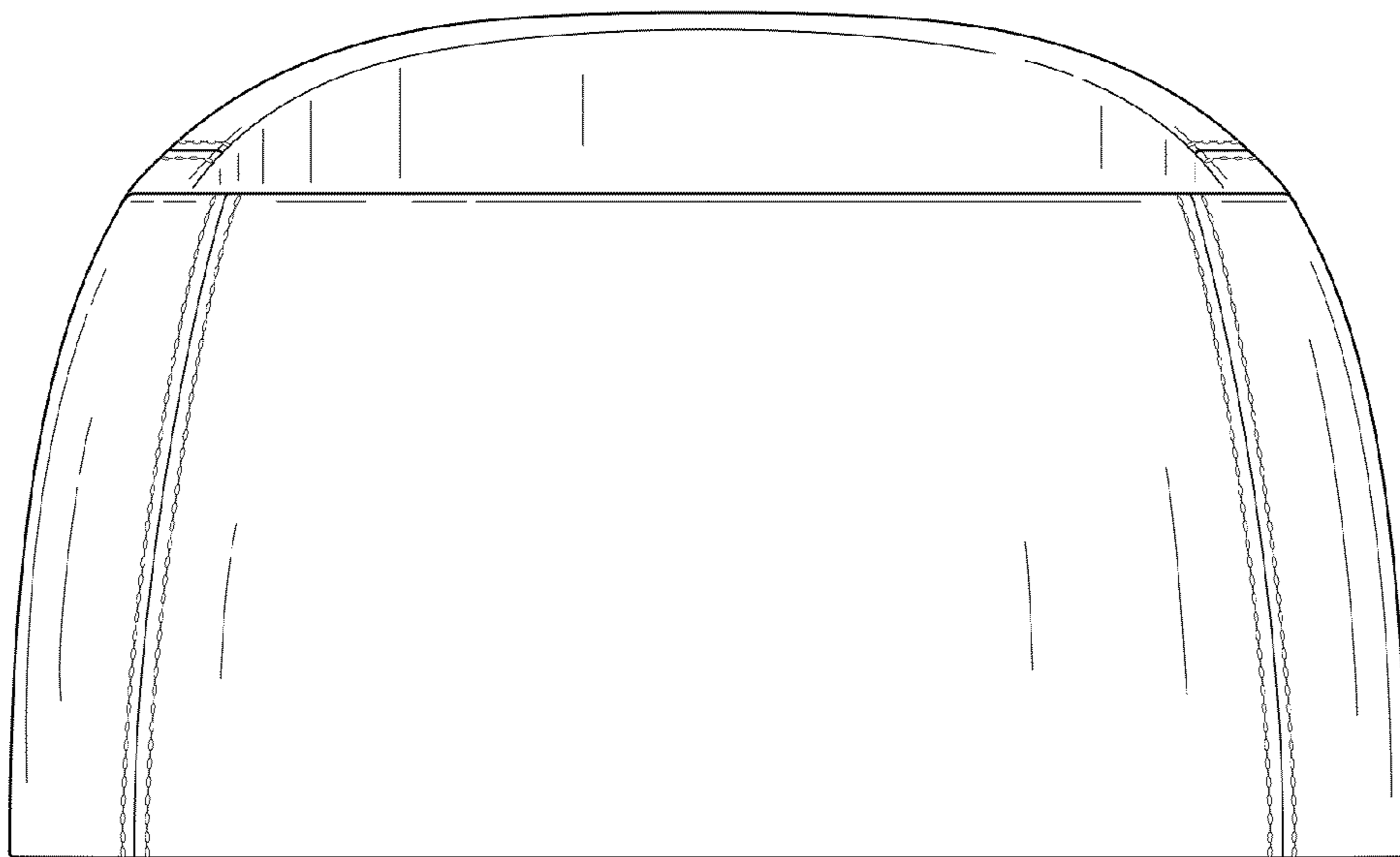


FIG. 3

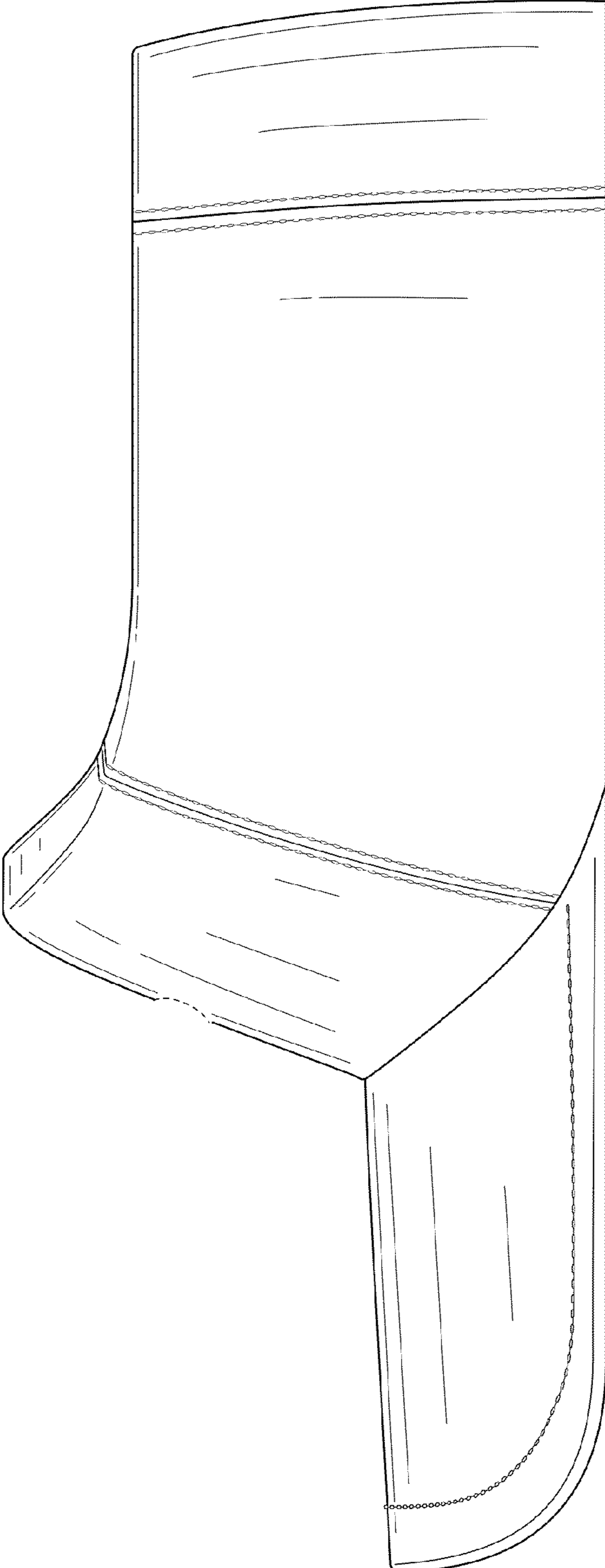


FIG. 4

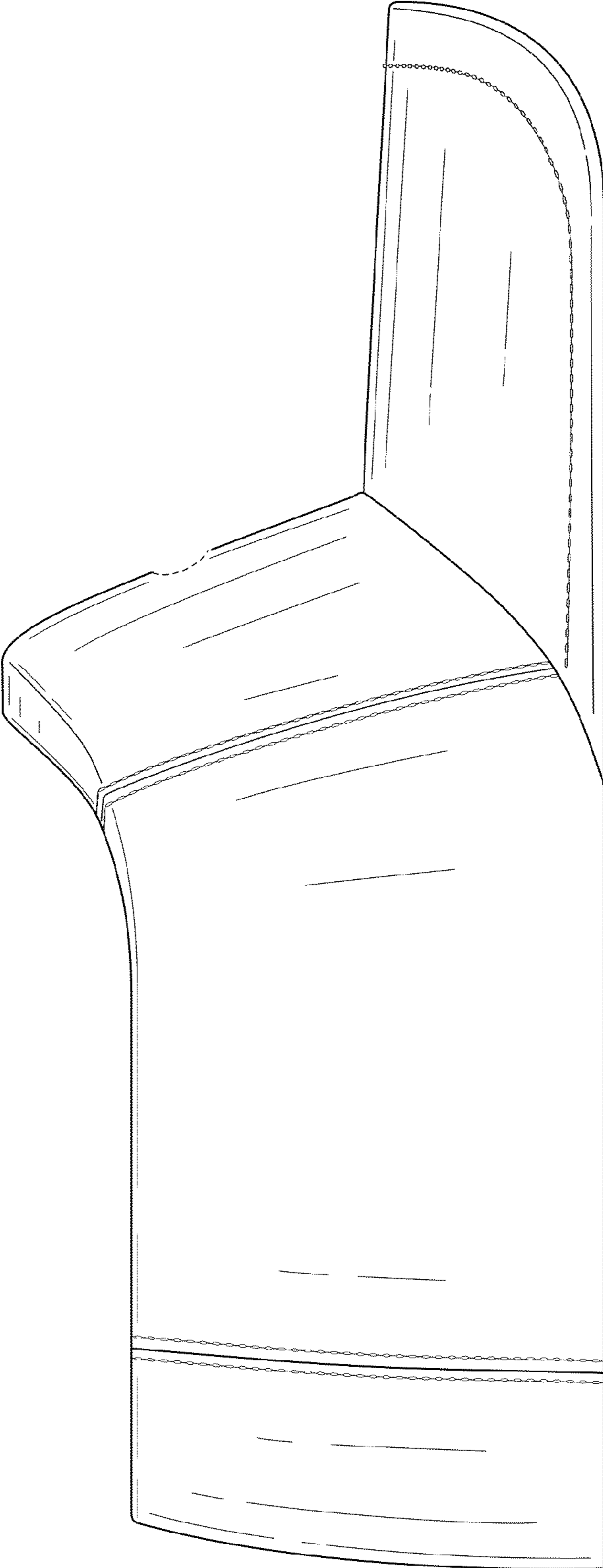


FIG. 5

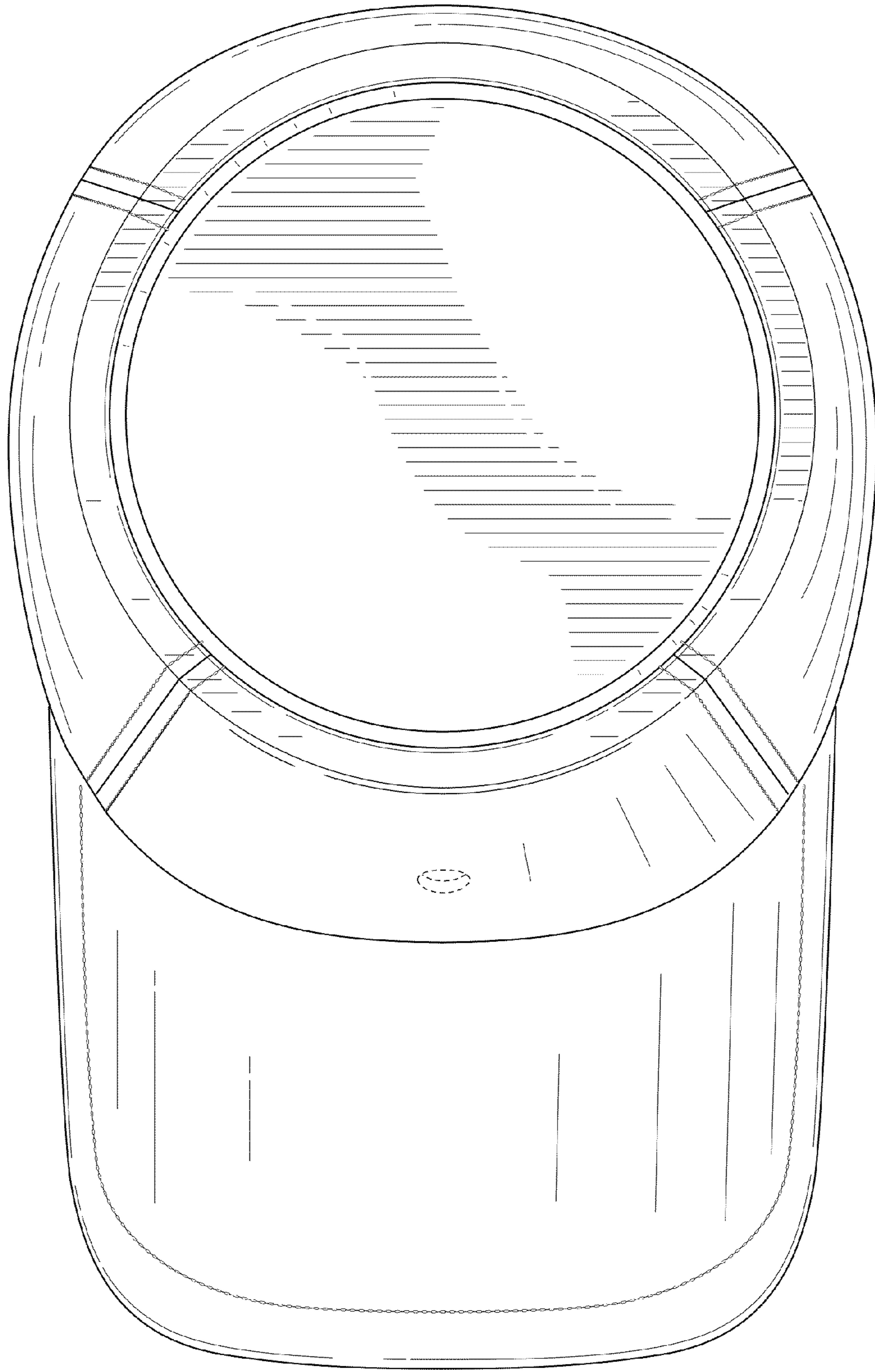
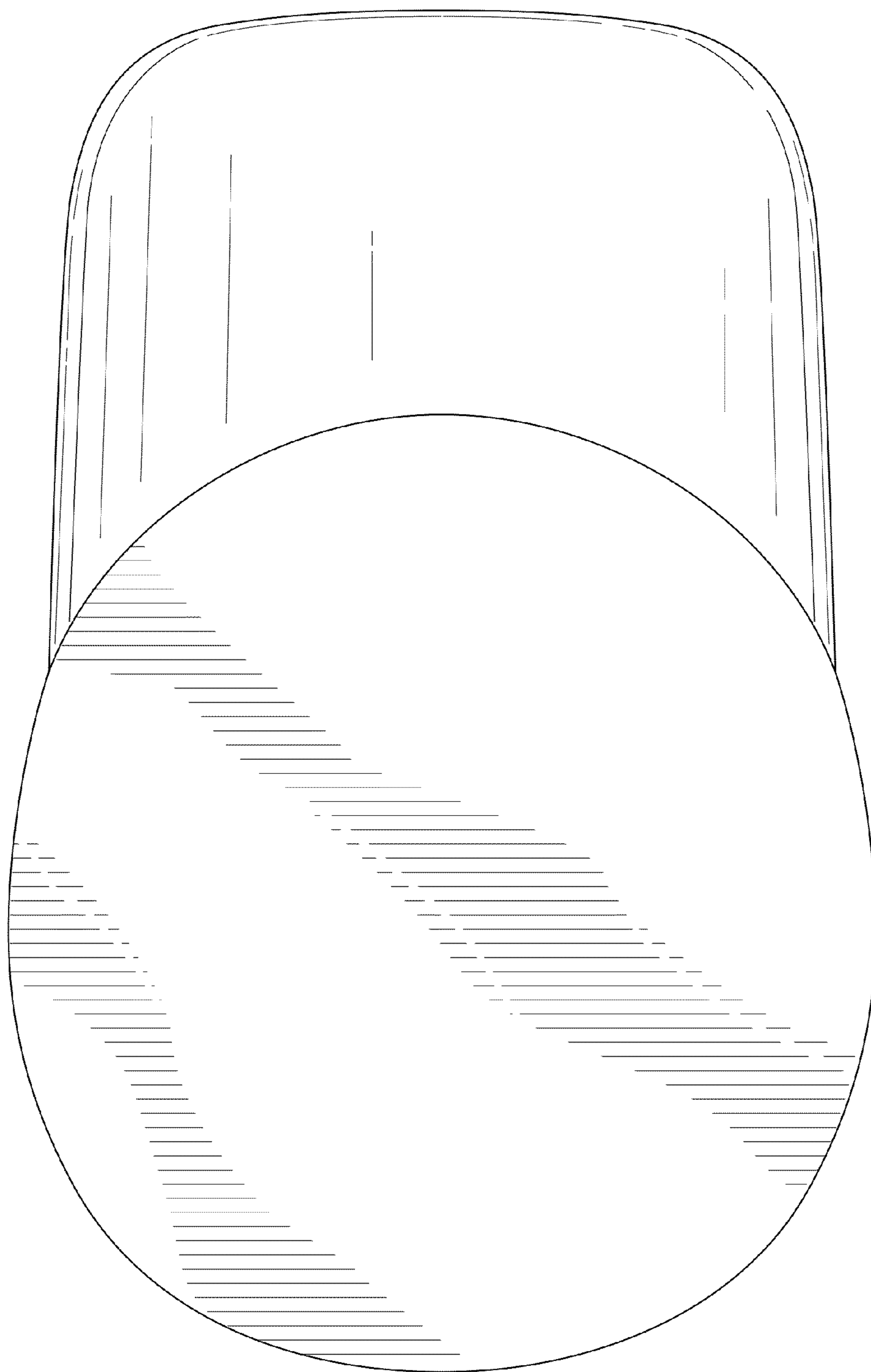


FIG. 6



**FIG. 7**

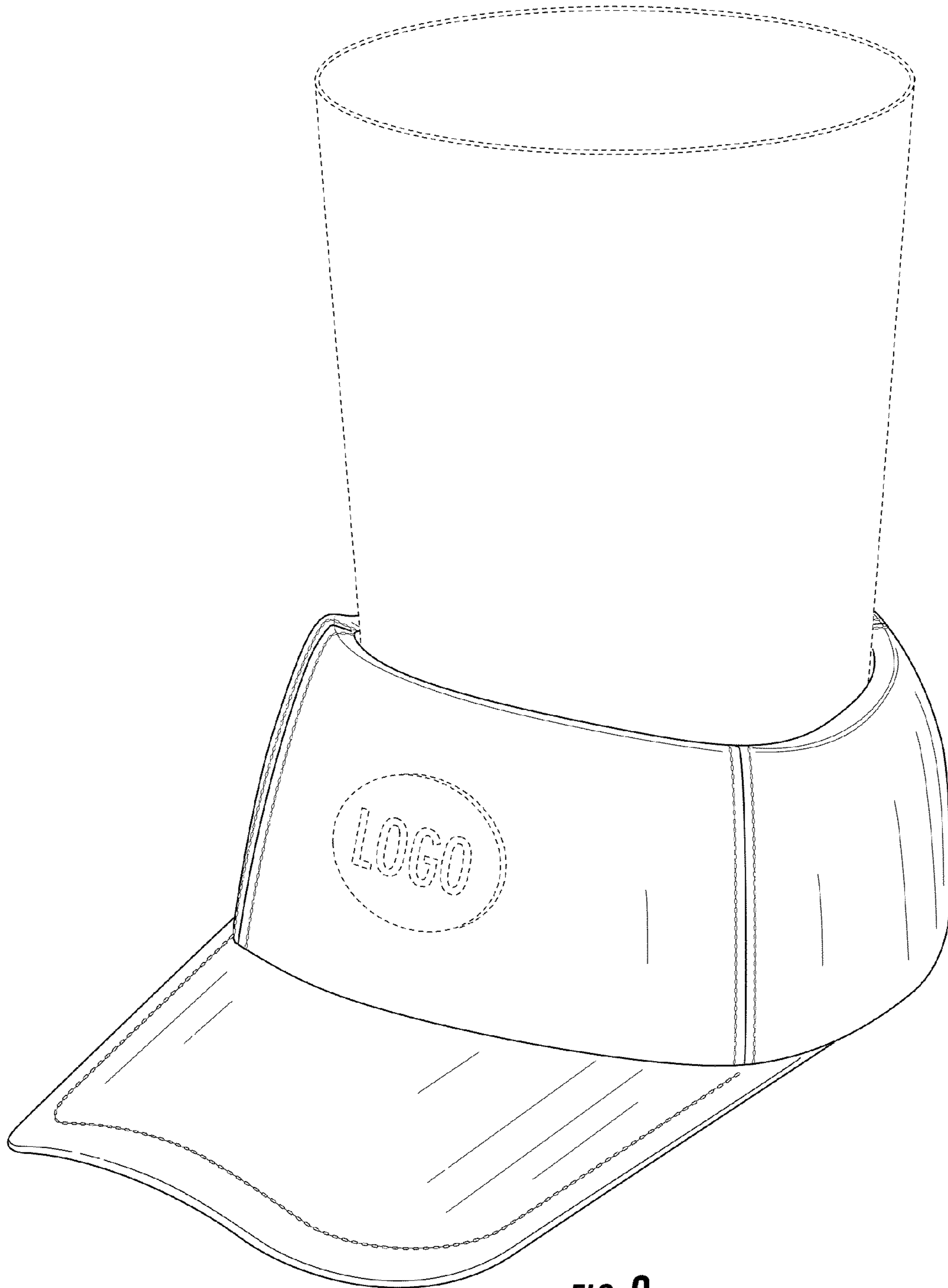


FIG. 8