



US00D704005S

(12) **United States Design Patent**
Marshall

(10) **Patent No.:** **US D704,005 S**

(45) **Date of Patent:** **** May 6, 2014**

(54) **WRAPPER FOR A BOTTLE OR GLASS**

(76) Inventor: **Stephanie Marshall**, Miami, FL (US)

(**) Term: **14 Years**

(21) Appl. No.: **29/412,075**

(22) Filed: **Jan. 30, 2012**

(51) **LOC (10) Cl.** **07-06**

(52) **U.S. Cl.**
USPC **D7/624.2**

(58) **Field of Classification Search**
USPC D7/602, 608, 619.1, 624-624.3, 607;
206/139; 220/592.16, 495.03, 903;
D3/202; D24/206

See application file for complete search history.

(56) **References Cited**

U.S. PATENT DOCUMENTS

4,181,765	A *	1/1980	Harmony	428/157
4,268,567	A *	5/1981	Harmony	428/195.1
4,282,279	A *	8/1981	Strickland	224/414
4,989,418	A *	2/1991	Hewlett	62/457.4
5,107,548	A *	4/1992	Dotzenrod	2/209.13
5,109,588	A *	5/1992	Hewlett et al.	220/694
5,256,131	A *	10/1993	Owens et al.	493/374
5,318,821	A *	6/1994	Bradley, Jr.	428/100
D364,538	S *	11/1995	Hughes	D7/608

D423,299	S *	4/2000	Burrus	D7/607
6,128,915	A *	10/2000	Wagner	62/457.3
D643,693	S *	8/2011	Jama	D7/624.2

* cited by examiner

Primary Examiner — Ian Simmons
Assistant Examiner — Eleni Aldridge

(57) **CLAIM**

The ornamental design for a wrapper for a bottle or glass, as shown and described.

DESCRIPTION

FIG. 1 is a front elevational view of the wrapper for a bottle or glass showing my new design;

FIG. 2 is a rear elevational view of the wrapper for a bottle or glass thereof;

FIG. 3 is a left-side elevational view of the wrapper for a bottle or glass thereof;

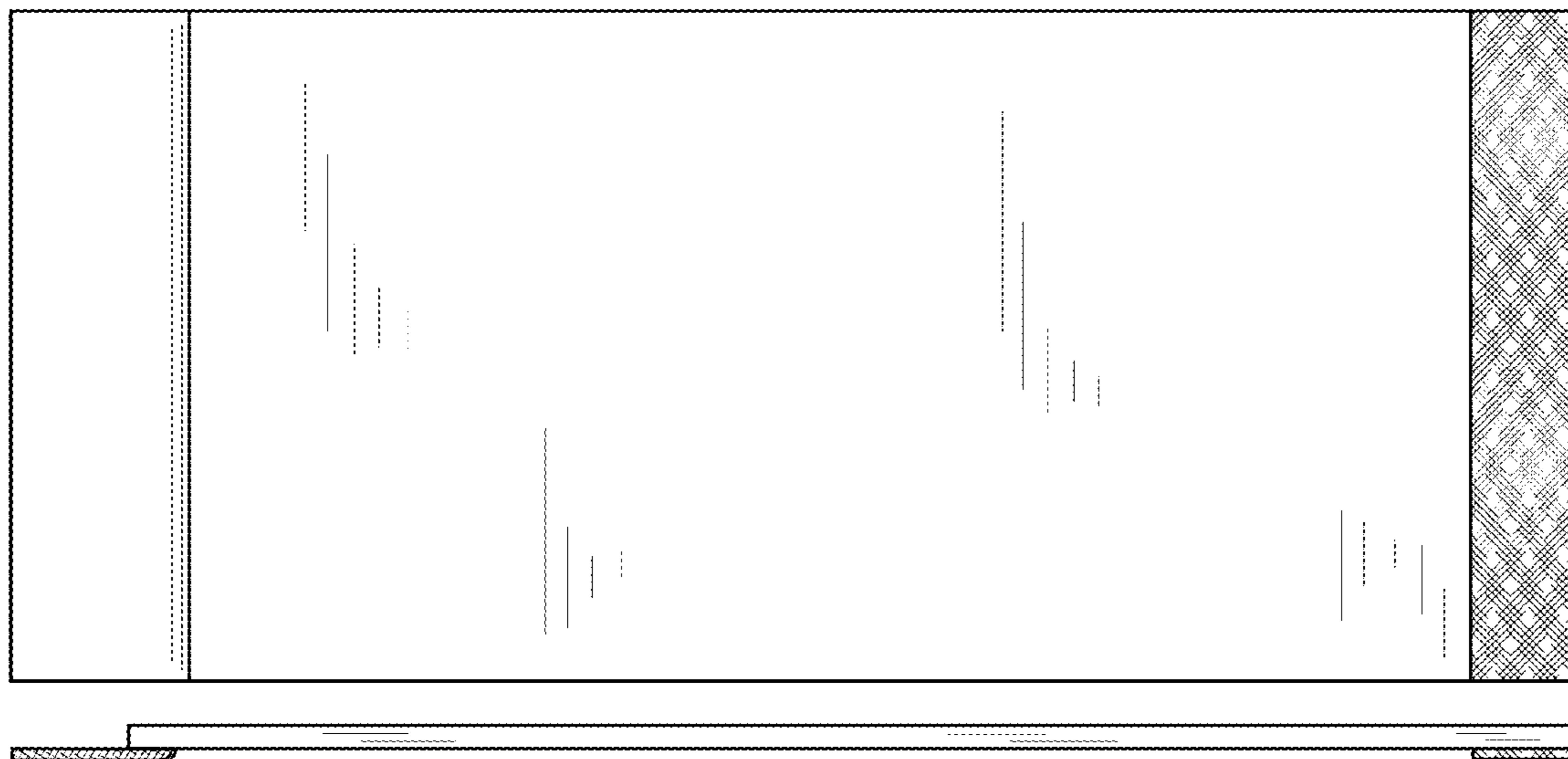
FIG. 4 is right side elevational view of the wrapper for a bottle or glass thereof;

FIG. 5 is a top plan view of the wrapper for a bottle or glass thereof; and,

FIG. 6 is a perspective view of the wrapper for a bottle or glass thereof.

The dash dot dot dash broken line showing a baby bottle is included for the purpose of illustrating environmental structure that forms no part of the claimed design.

1 Claim, 3 Drawing Sheets



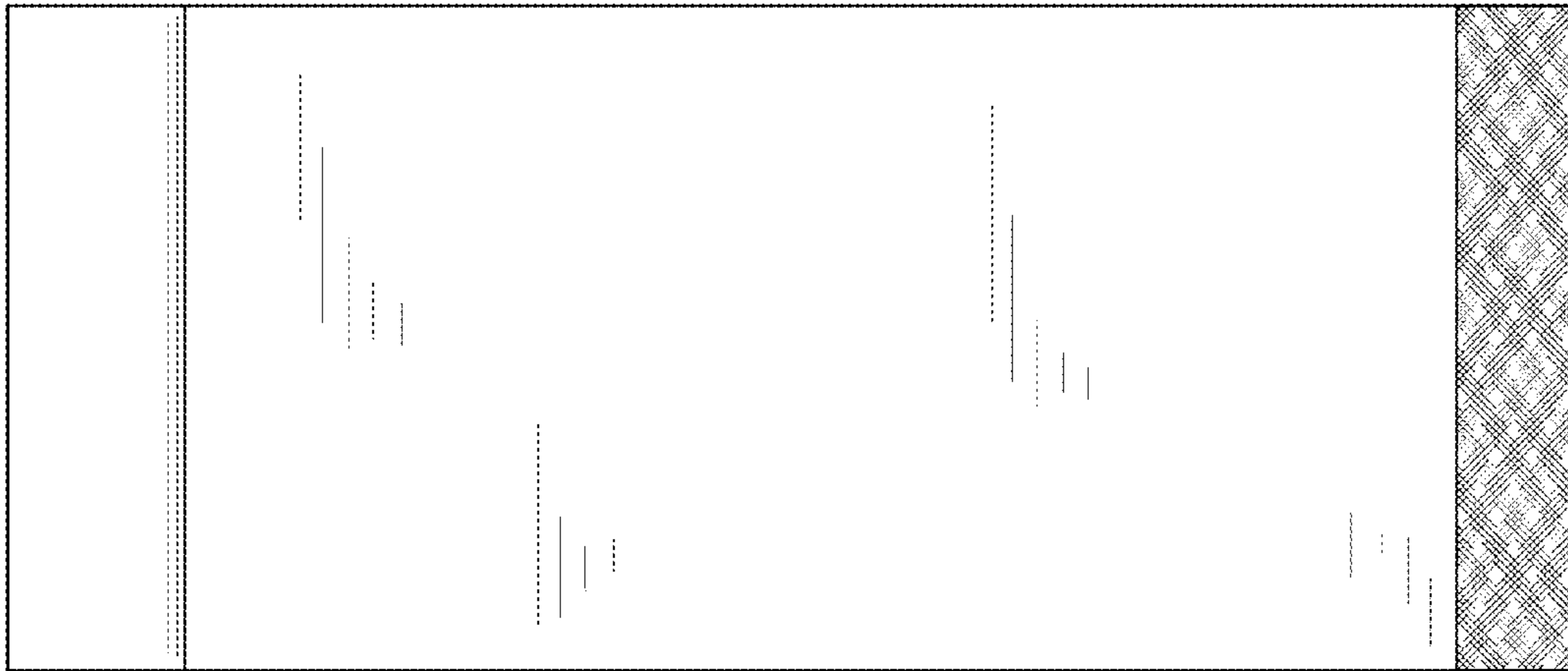


FIG. 1

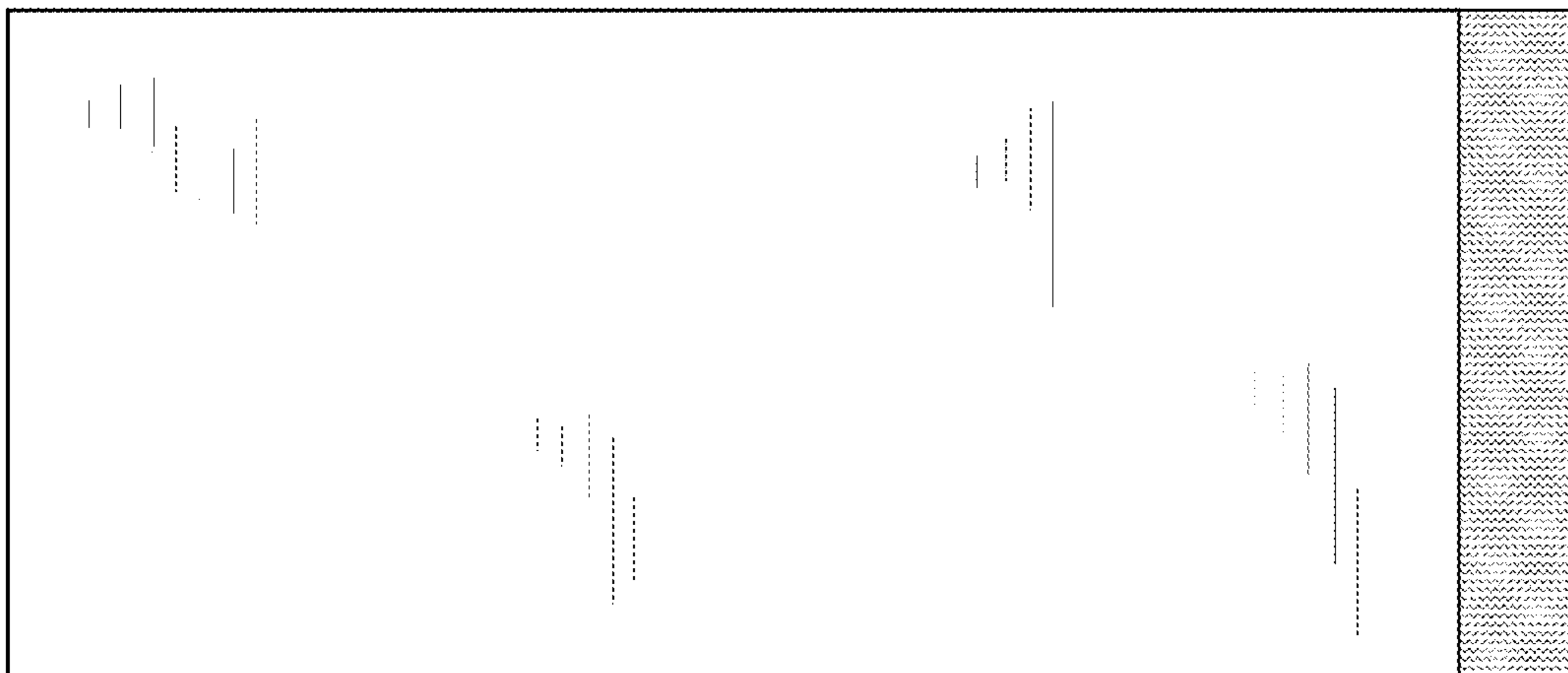


FIG. 2



FIG. 3

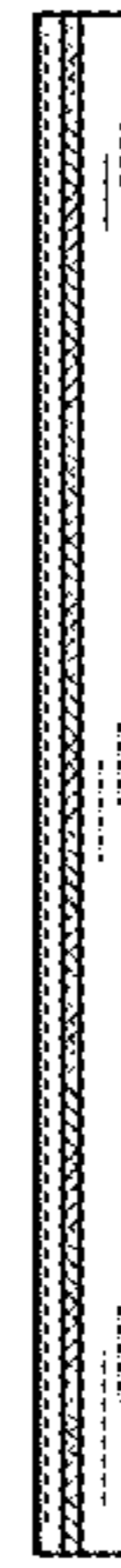


FIG. 4

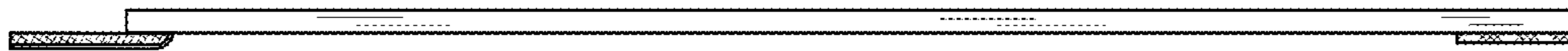


FIG. 5

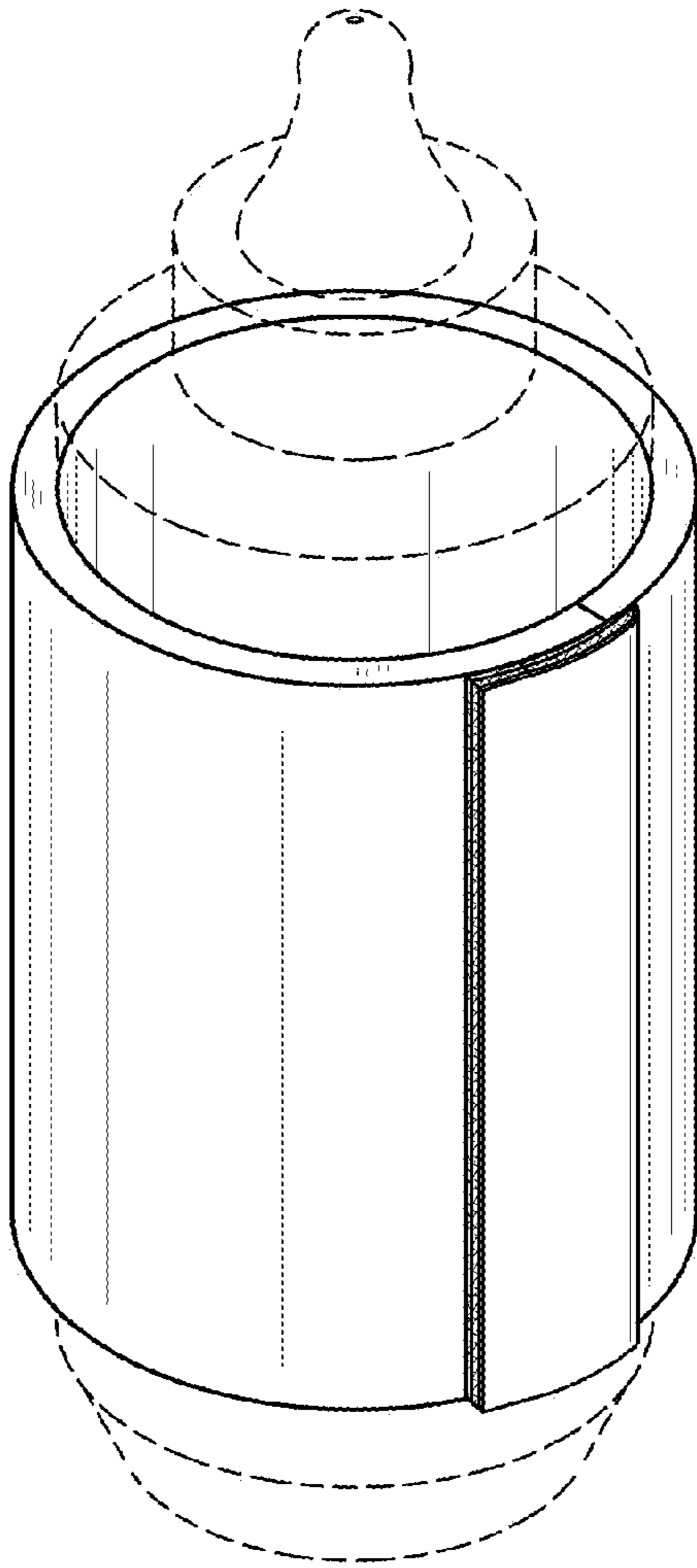


FIG. 6