



US00D704003S

(12) **United States Design Patent**
Cocci

(10) **Patent No.:** **US D704,003 S**

(45) **Date of Patent:** **** *May 6, 2014**

(54) **STACKABLE CUP**

(76) Inventor: **Marco David Cocci**, Morghill (ZA)

(*) Notice: This patent is subject to a terminal disclaimer.

(**) Term: **14 Years**

(21) Appl. No.: **29/432,291**

(22) Filed: **Sep. 14, 2012**

(51) **LOC (10) Cl.** **07-01**

(52) **U.S. Cl.**

USPC **D7/533**

(58) **Field of Classification Search**

USPC D7/533, 536, 509, 510, 511; 215/386;
220/705, 592.16, 592.17, 710.5

See application file for complete search history.

(56) **References Cited**

U.S. PATENT DOCUMENTS

D347,547 S *	6/1994	Heinrich	D7/533
D502,056 S *	2/2005	Bakti	D7/507
D541,105 S *	4/2007	Jin	D7/510
D598,713 S *	8/2009	Luft	D7/533
D613,121 S *	4/2010	Luft	D7/533

D622,549 S *	8/2010	Carreno	D7/533
D646,524 S *	10/2011	Kortleven	D7/533
D675,479 S *	2/2013	Phillips	D7/507
D678,727 S *	3/2013	Kolar	D7/533

* cited by examiner

Primary Examiner — Marianne Pandozzi

(74) *Attorney, Agent, or Firm* — Barnes & Thornburg LLP

(57) **CLAIM**

The ornamental design for a stackable cup, as shown and described.

DESCRIPTION

FIG. 1 is a perspective view of a stackable cup showing my new design;

FIG. 2 is a side view of the stackable cup as illustrated in FIG. 1;

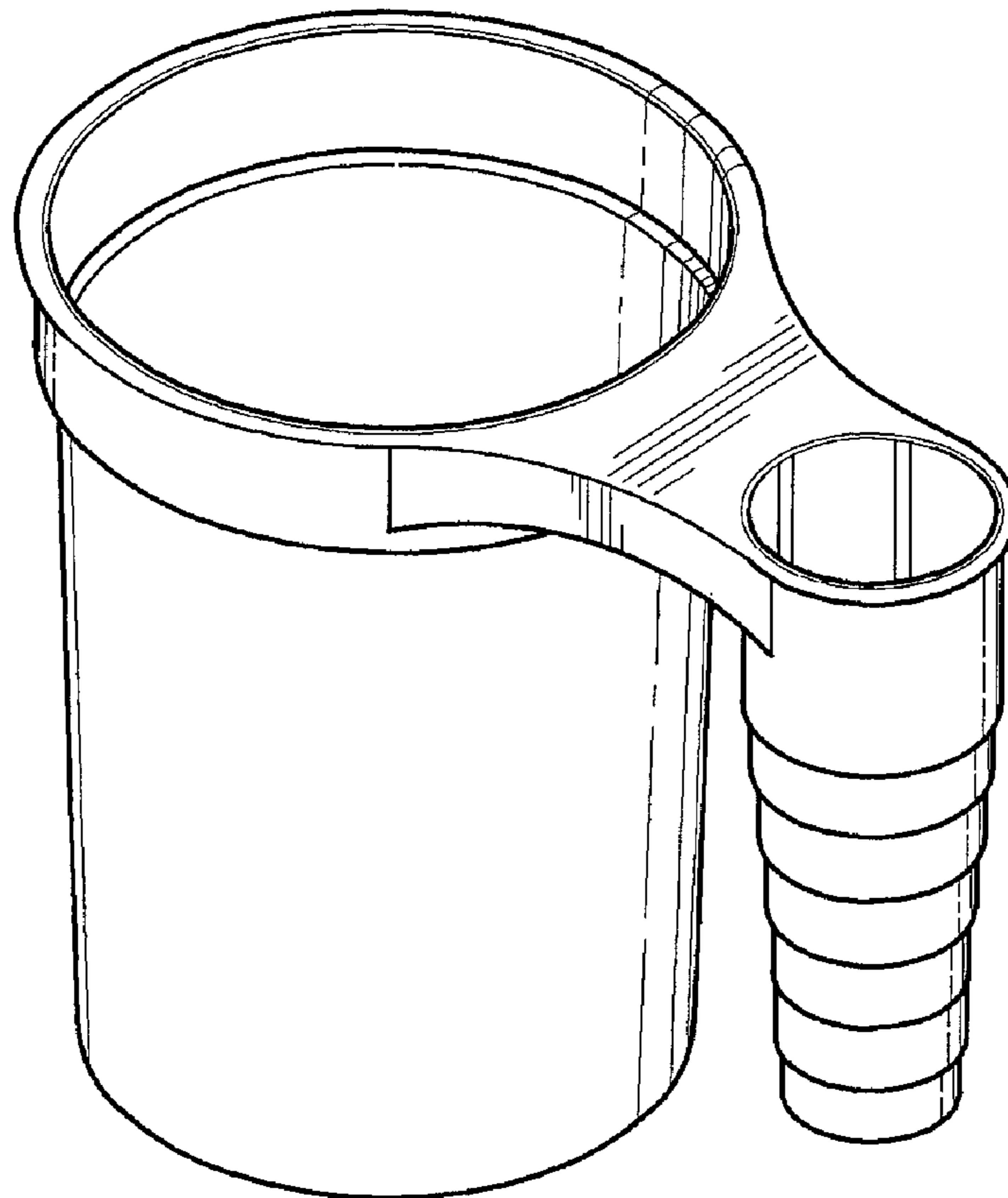
FIG. 3 is a front view of the stackable cup as illustrated in FIG. 1;

FIG. 4 is a rear view of the stackable cup as illustrated in FIG. 1;

FIG. 5 is a top view of the stackable cup as illustrated in FIG. 1; and,

FIG. 6 is a bottom view of the stackable cup as illustrated in FIG. 1.

1 Claim, 3 Drawing Sheets



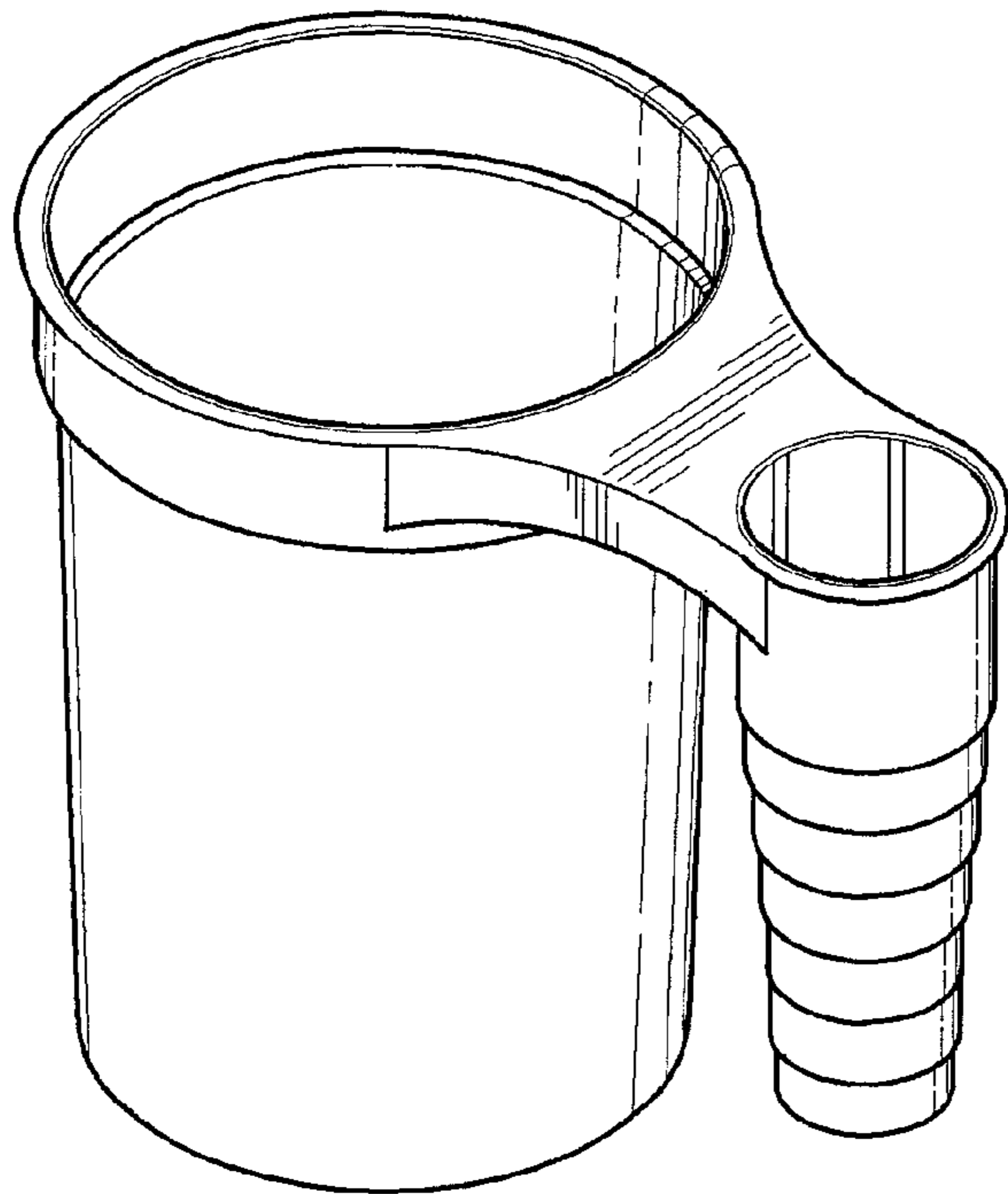


FIG. 1

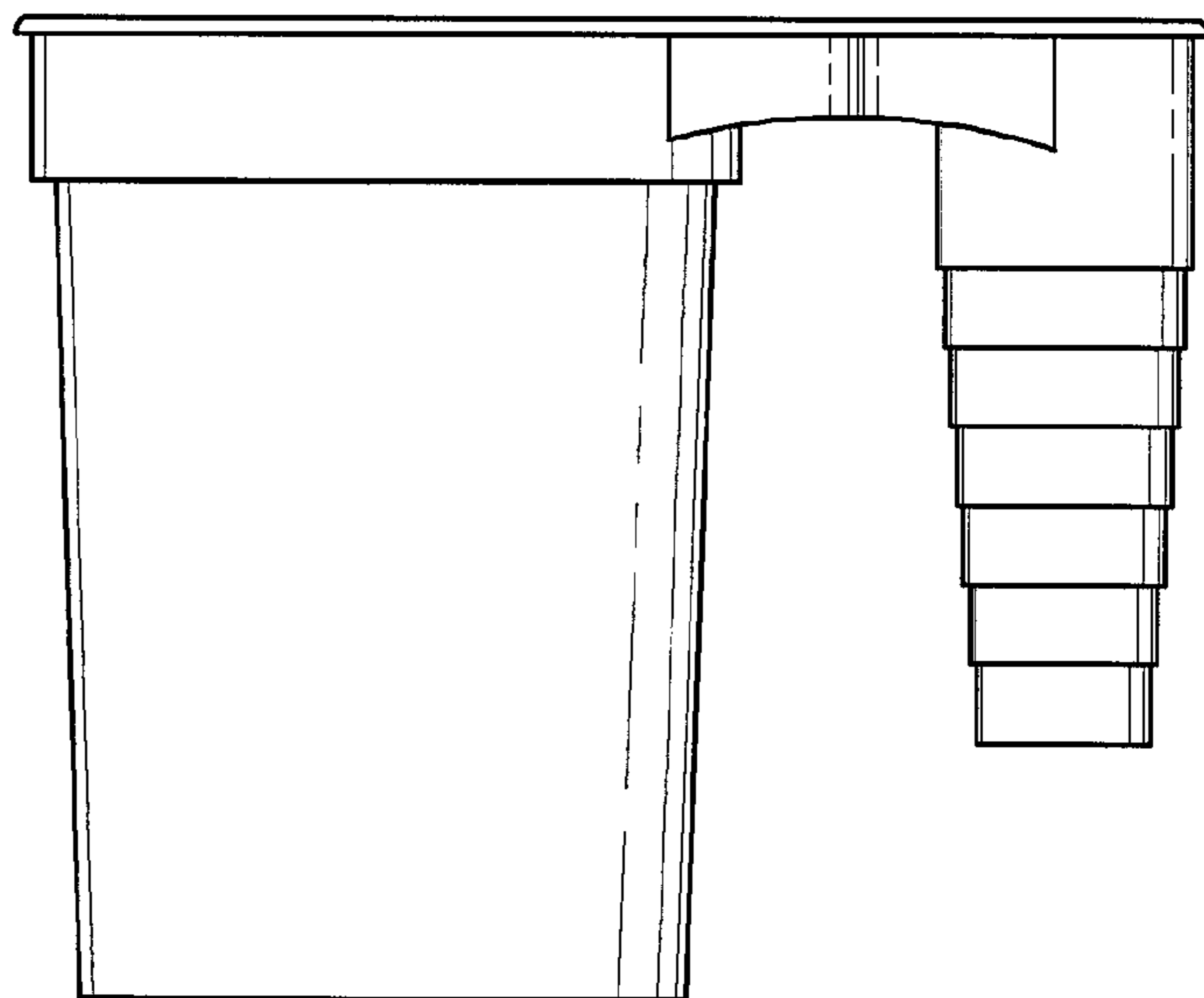


FIG. 2

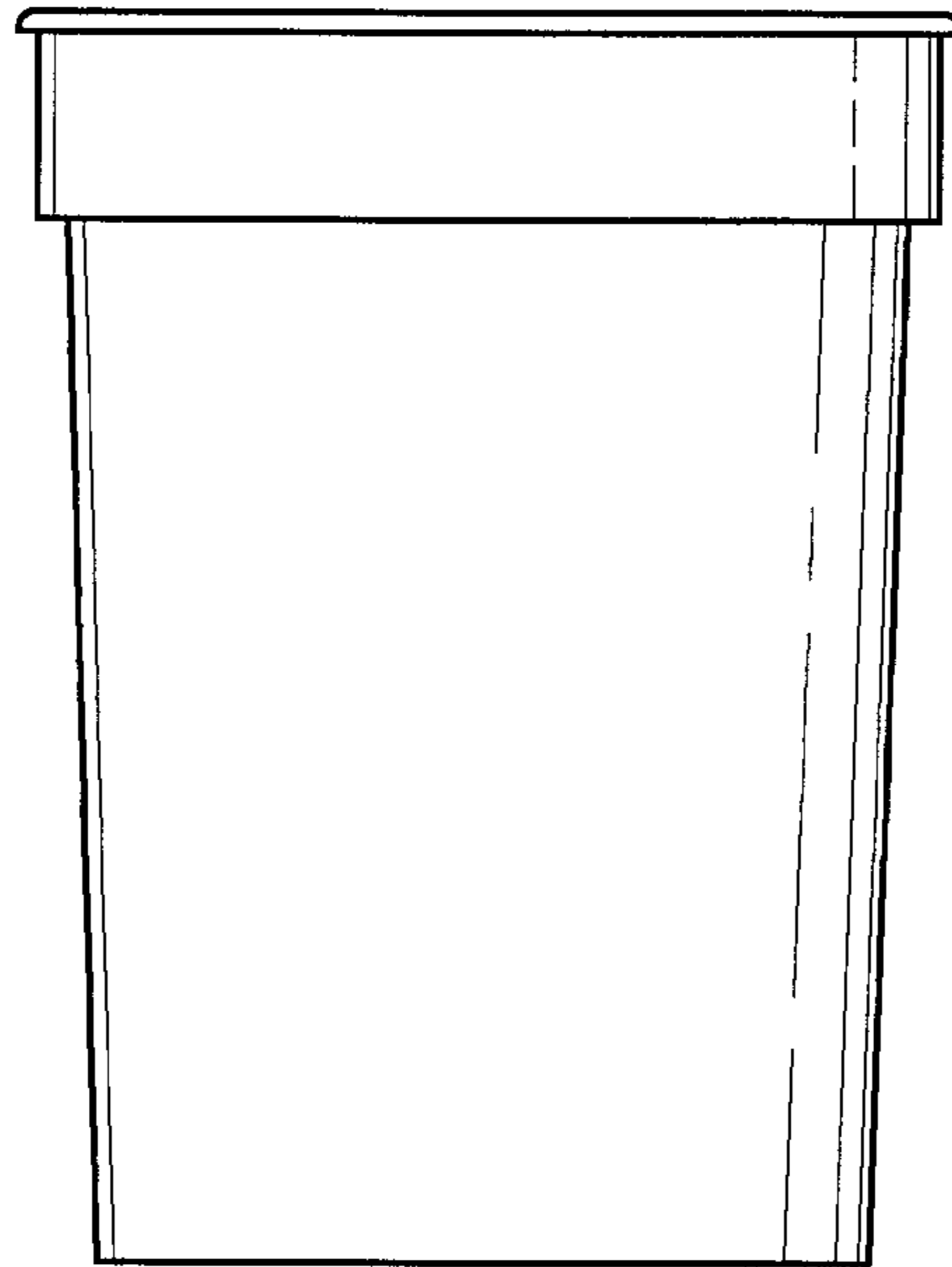


FIG. 3

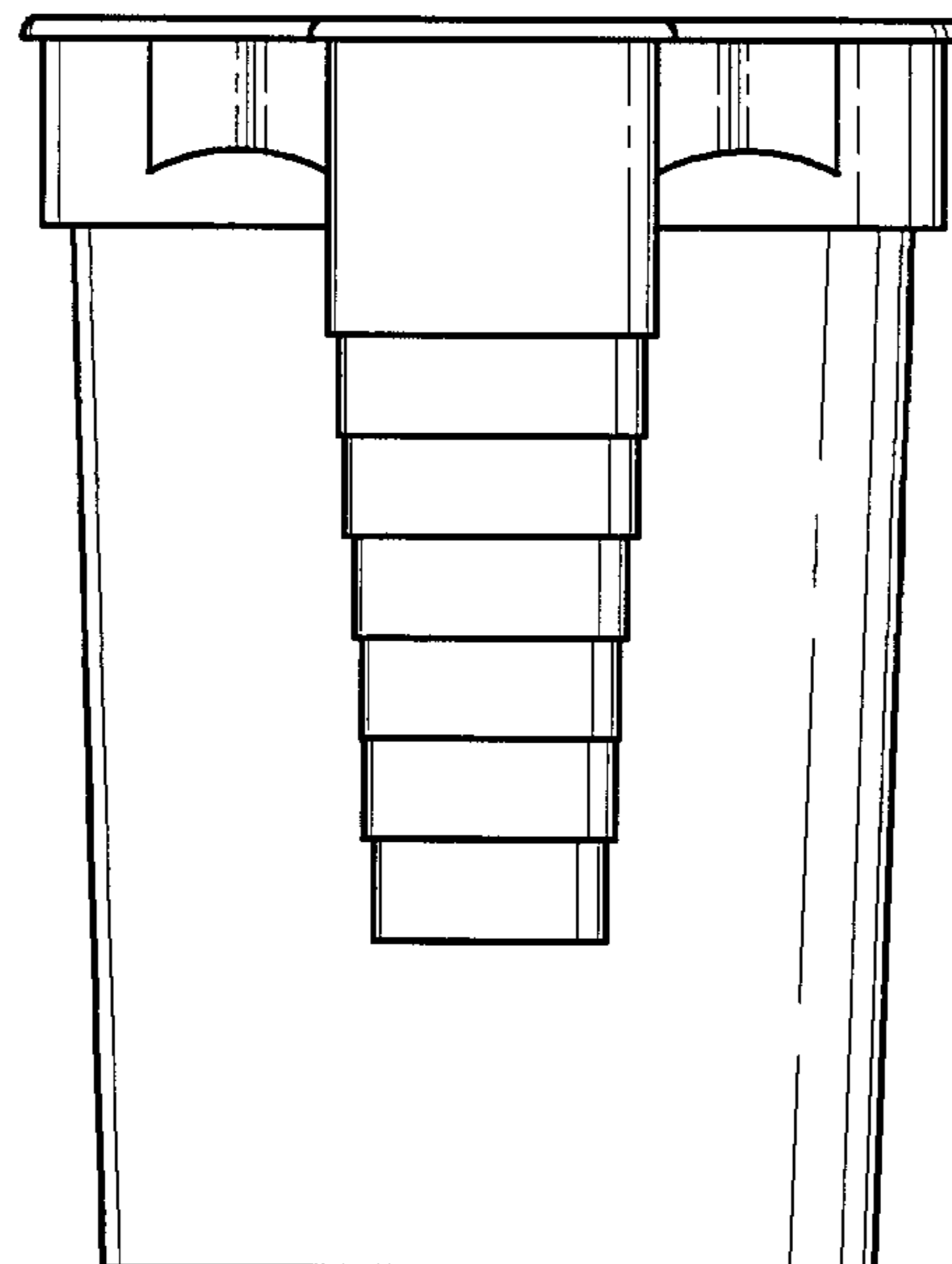


FIG. 4

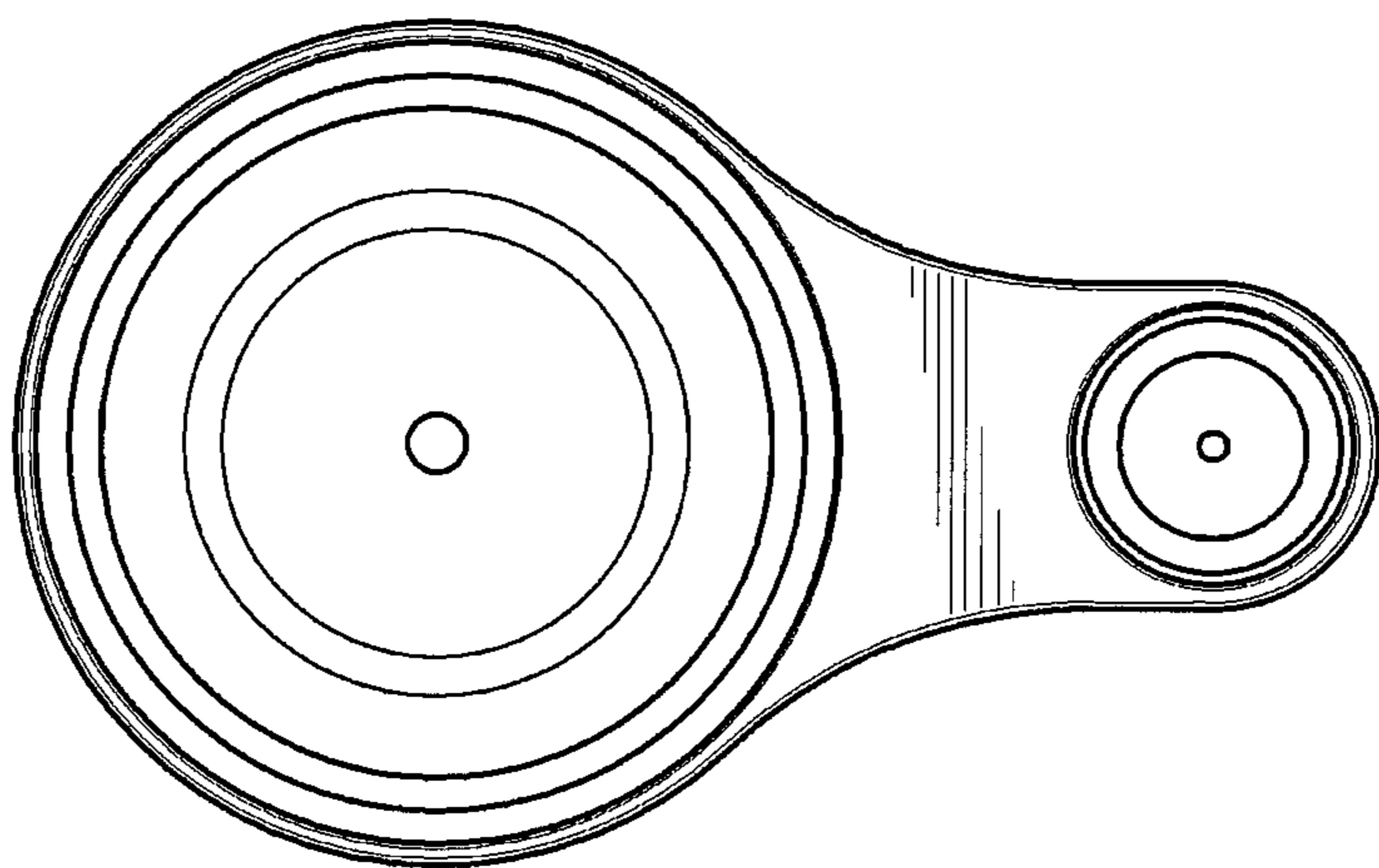


FIG. 5

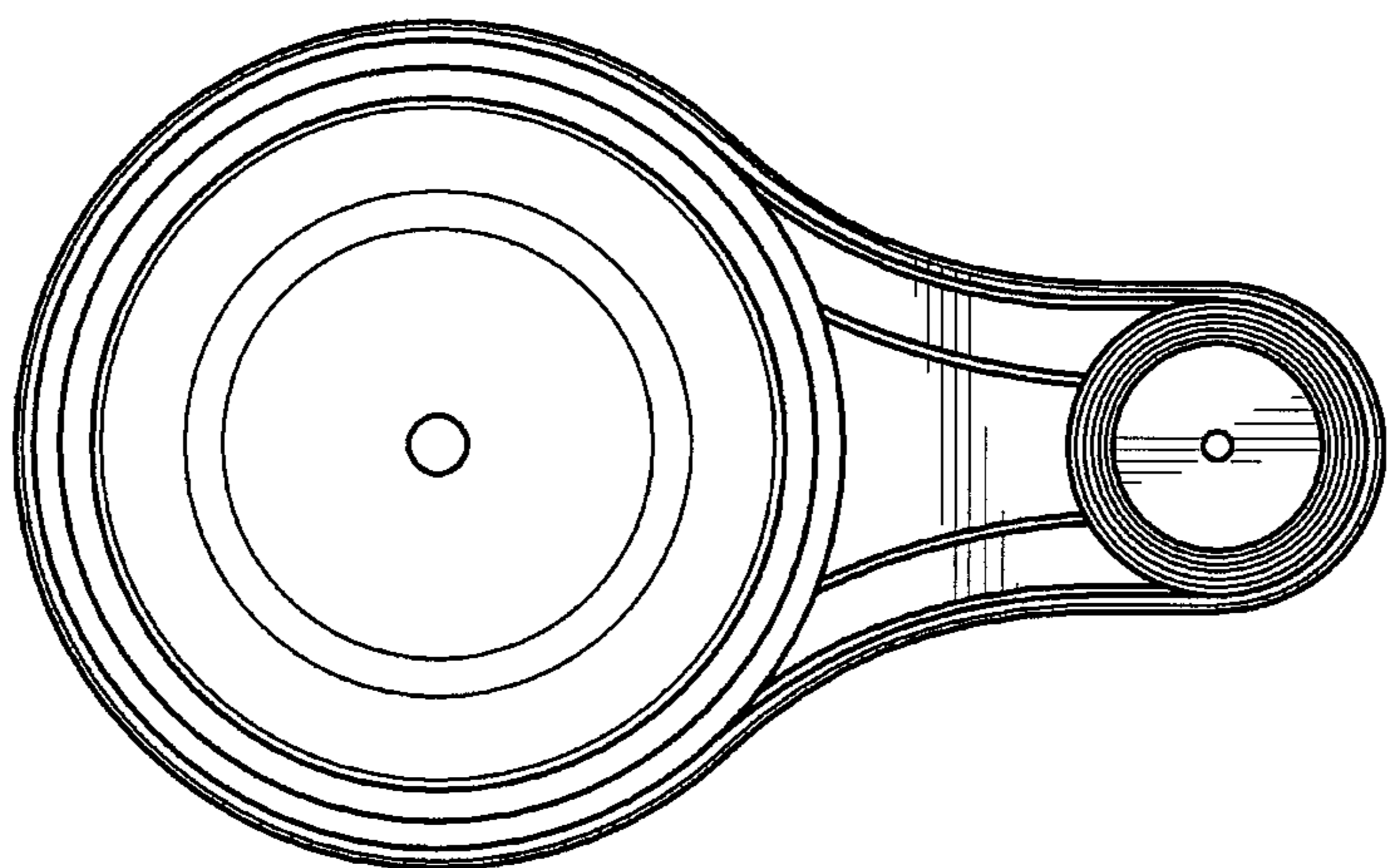


FIG. 6