



US00D703997S

(12) **United States Design Patent**  
**Munari**

(10) **Patent No.:** **US D703,997 S**

(45) **Date of Patent:** **\*\* May 6, 2014**

(54) **KNOB WITH A MOVABLE HANDLE FOR USE ON COOKING UTENSILS AND APPARATUS**

(71) Applicant: **Marco Munari**, Cardano Al Campo (IT)

(72) Inventor: **Marco Munari**, Cardano Al Campo (IT)

(73) Assignee: **La Termoplastico F.B.M. S.R.L.**, Arsago Seprio (VA) (IT)

(\*\*) Term: **14 Years**

(21) Appl. No.: **29/446,536**

(22) Filed: **Feb. 25, 2013**

(30) **Foreign Application Priority Data**

Sep. 13, 2012 (EM) ..... 002102491-0001

(51) **LOC (10) Cl.** ..... **07-02**

(52) **U.S. Cl.**  
USPC ..... **D7/393; D7/394**

(58) **Field of Classification Search**

USPC ..... D7/354-361, 391, 393-395, 396.2, 514, D7/608, 629, 664; D8/107, 300, 301, 306, D8/315, 316, 317, 319, 320, 321; 16/430, 16/431, 110.1, 114.1, 407, 416, 429, 443, 16/441; 220/377, 573.1-573.5, 710.5, 220/752, 753, 755, 756, 760, 772, 773, 220/912; D3/318; 138/121, 145, 173; D9/443; D23/252

See application file for complete search history.

(56) **References Cited**

**U.S. PATENT DOCUMENTS**

D154,378 S \* 7/1949 Fuller ..... D9/443  
D165,653 S \* 1/1952 Johnson ..... D32/34  
D197,315 S \* 1/1964 Kahliff ..... D9/434

D323,970 S \* 2/1992 Schlack ..... D8/341  
D332,379 S \* 1/1993 Murphy ..... D7/391  
D389,393 S \* 1/1998 Hansen ..... D8/310  
D494,425 S \* 8/2004 Segura ..... D7/608  
D511,457 S \* 11/2005 Biesecker et al. .... D9/443  
D523,689 S \* 6/2006 Cuillery ..... D7/394  
D612,235 S \* 3/2010 Cresswell et al. .... D9/443  
D617,188 S \* 6/2010 Sturk ..... D9/443  
D620,357 S \* 7/2010 Jewett et al. .... D9/443  
D630,475 S \* 1/2011 Lu ..... D7/629  
D657,188 S \* 4/2012 Herren ..... D7/394

\* cited by examiner

*Primary Examiner* — Cynthia M Chin

(74) *Attorney, Agent, or Firm* — Hedman & Costigan, P.C.; James V. Costigan; Kathleen A. Costigan

(57) **CLAIM**

I claim the ornamental design for a knob with a movable handle for use on cooking utensils and apparatus, as shown and described.

**DESCRIPTION**

FIG. 1 is a front perspective view of a knob with a movable handle for use on cooking utensils and apparatus, with a movable handle in a raised position, according to the present invention;

FIG. 2 is a front perspective view thereof, with a movable handle in a lowered position;

FIG. 3 is a front, elevational view thereof, with a movable handle in a raised position;

FIG. 4 is a back, elevational view thereof;

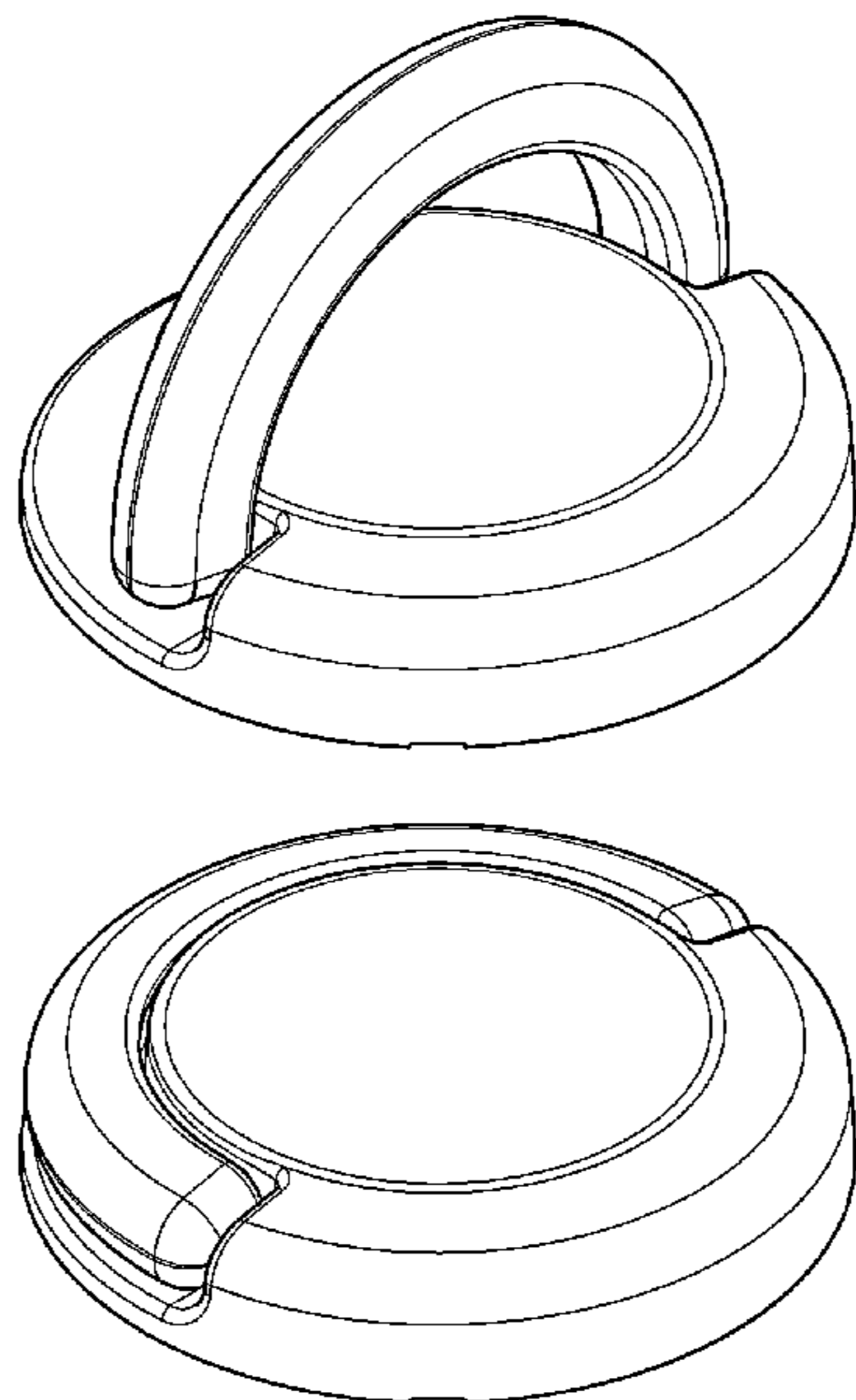
FIG. 5 is a left side view thereof, the right side view being a mirror image thereof;

FIG. 6 is top plan view thereof; and,

FIG. 7 is a bottom plan view thereof.

The broken lines represent portions of the article that form no part of the claim.

**1 Claim, 2 Drawing Sheets**



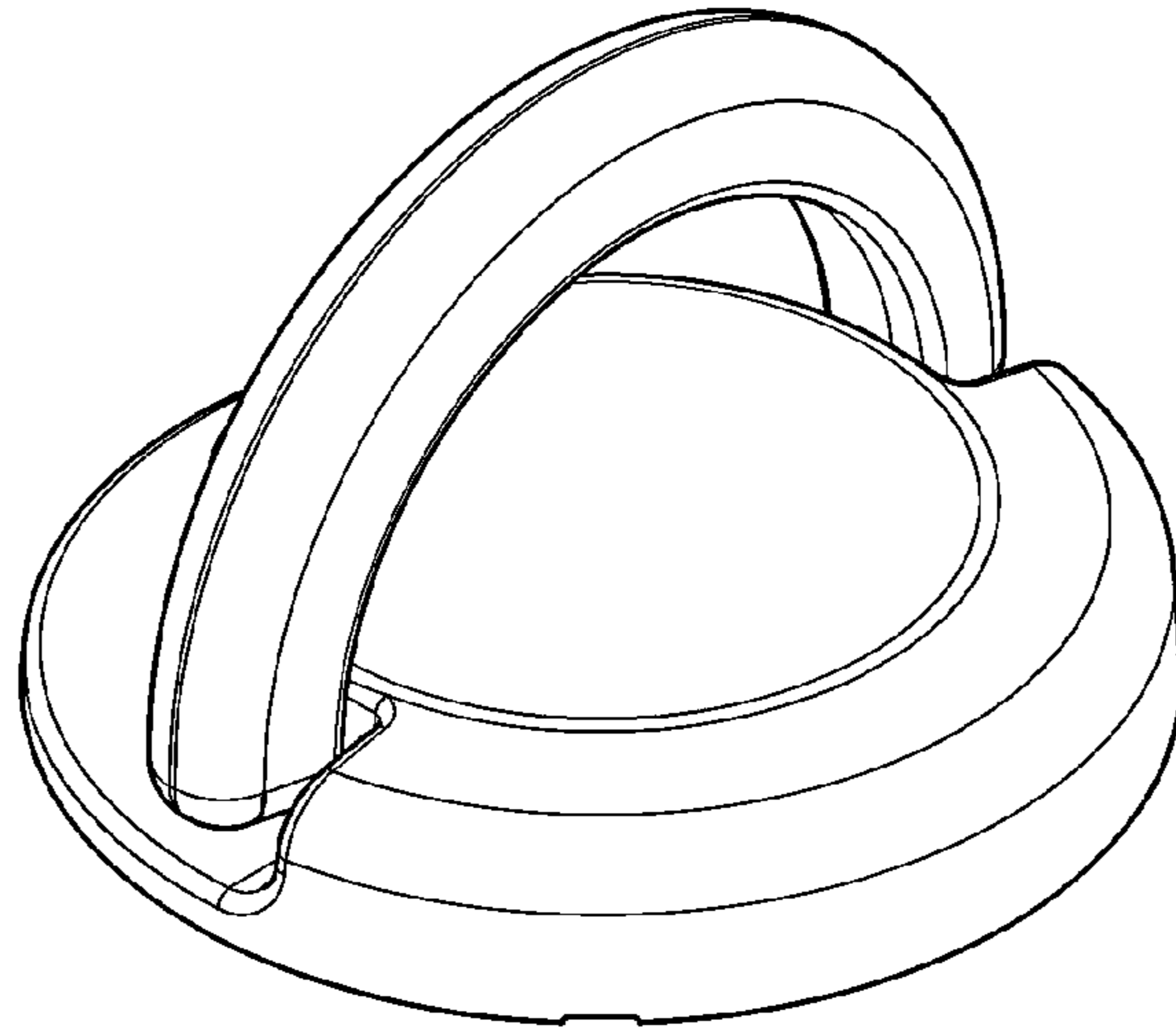


Fig. 1

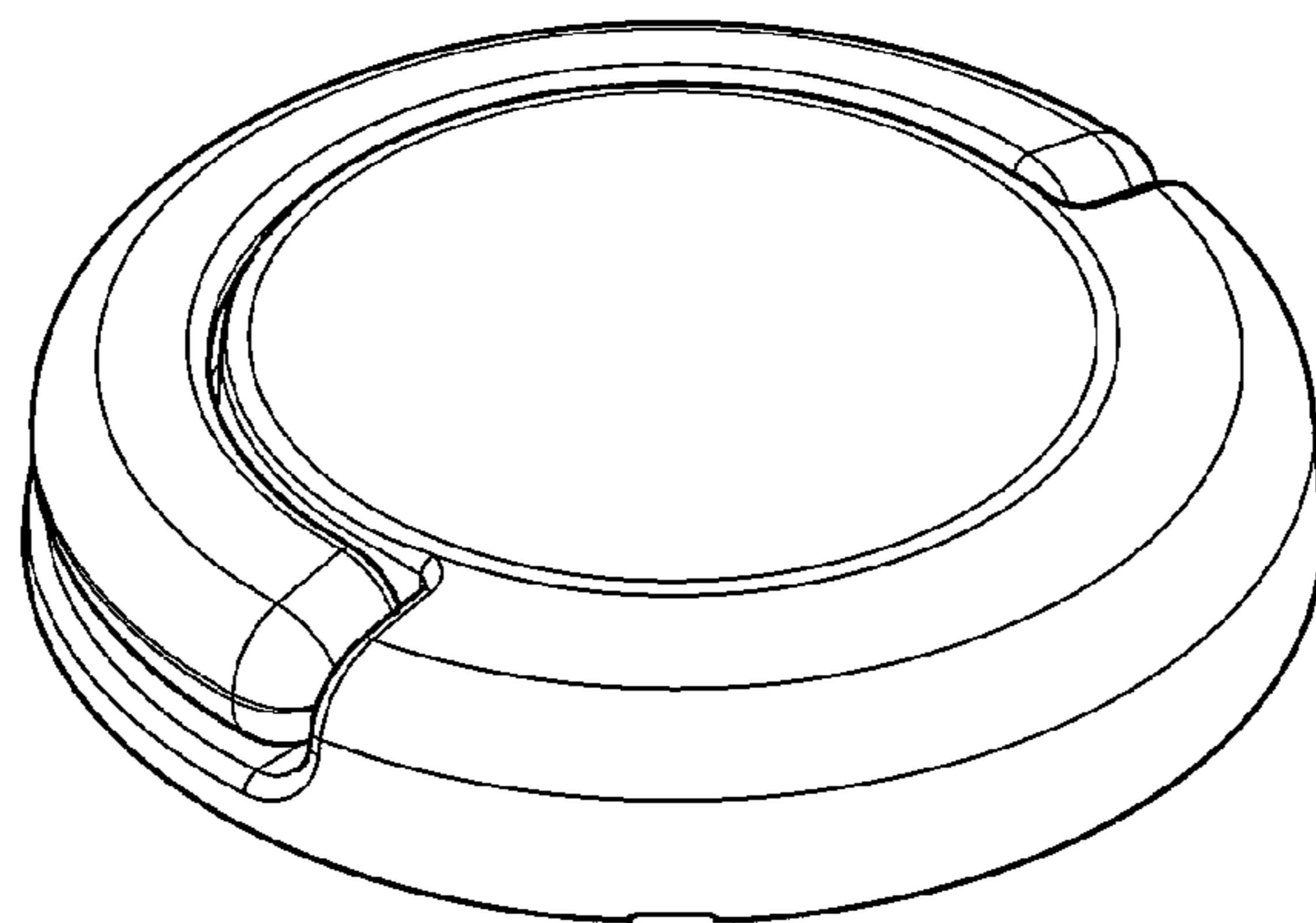


Fig. 2

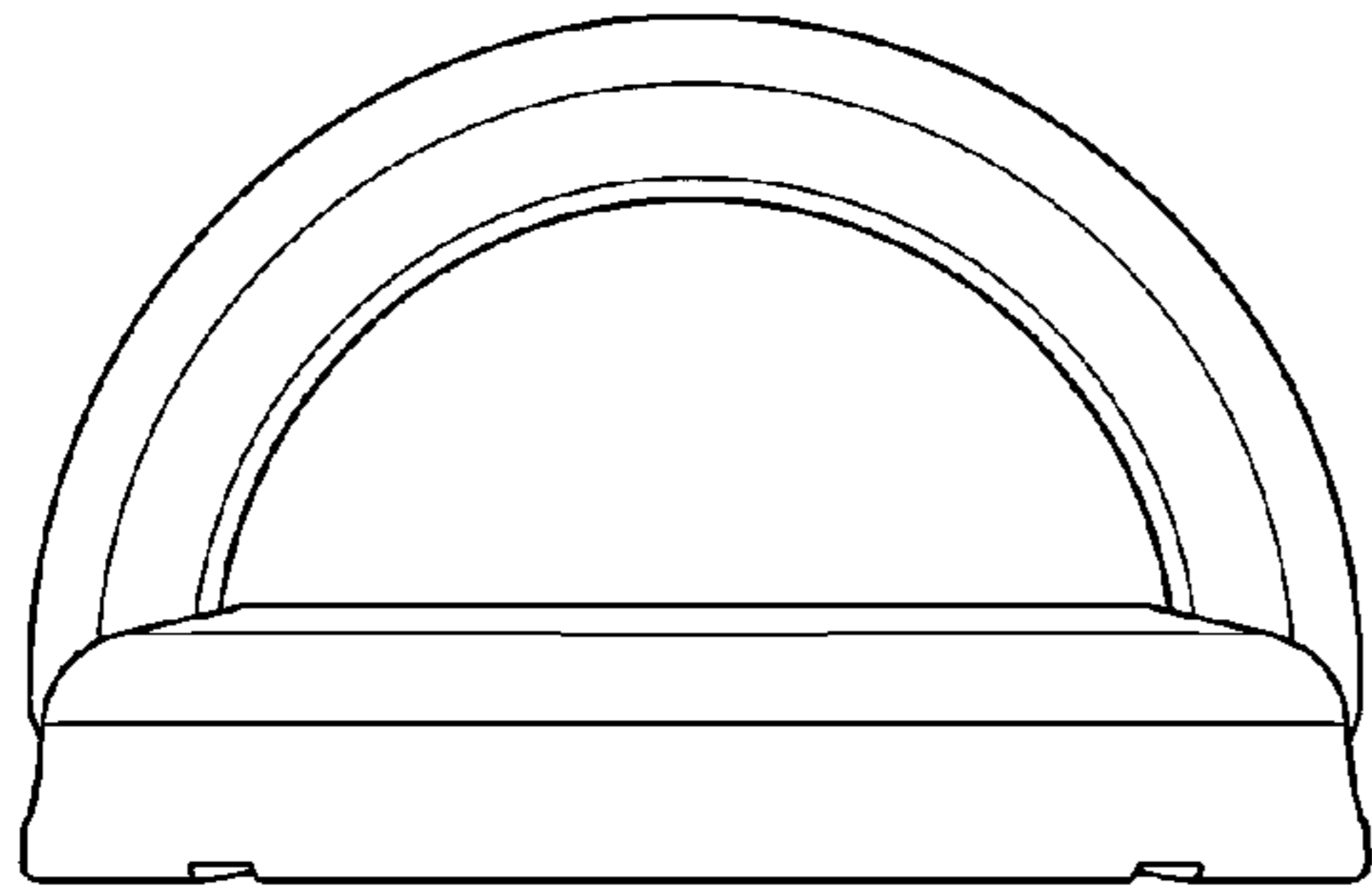


Fig. 3

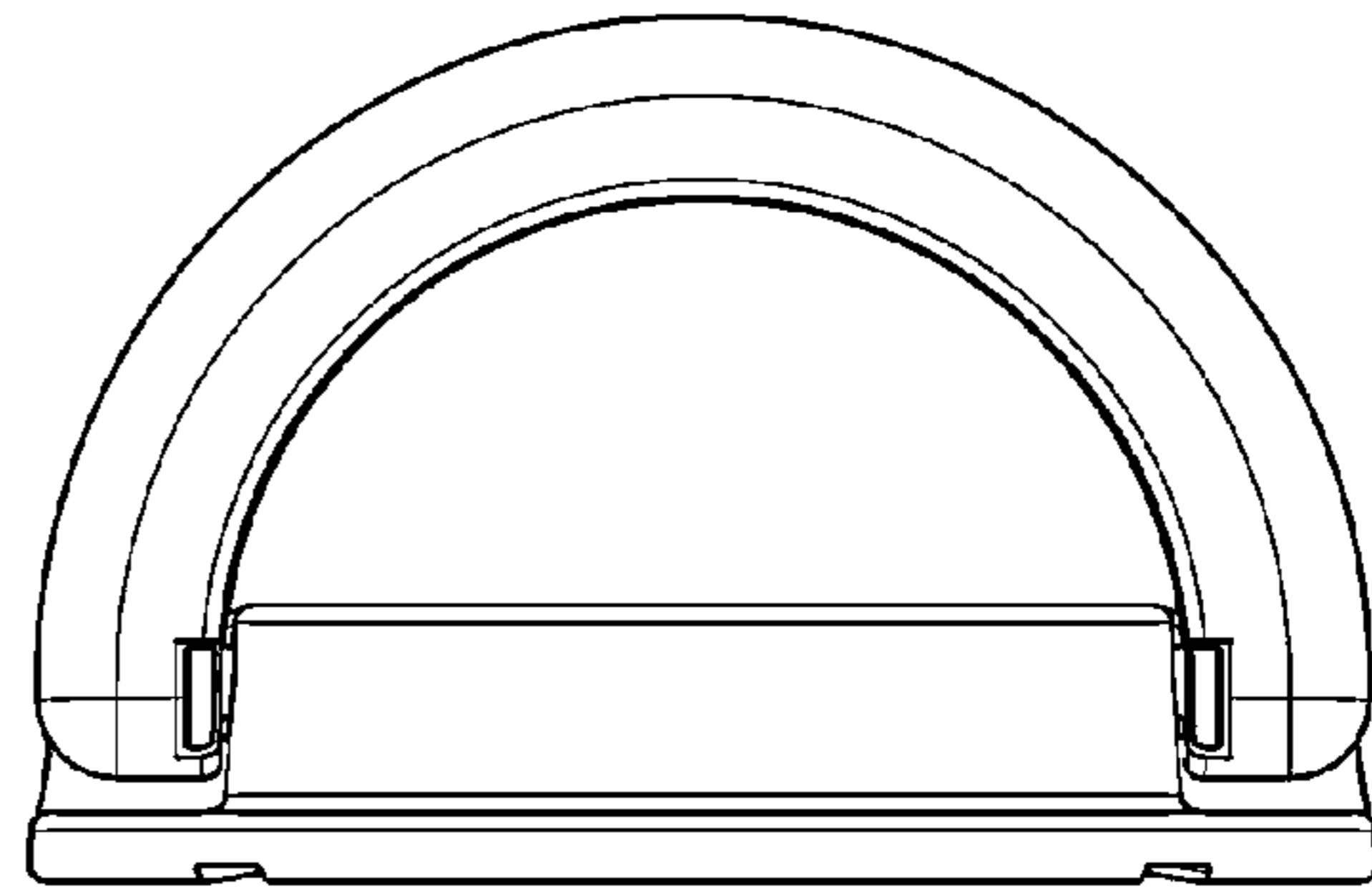


Fig. 4

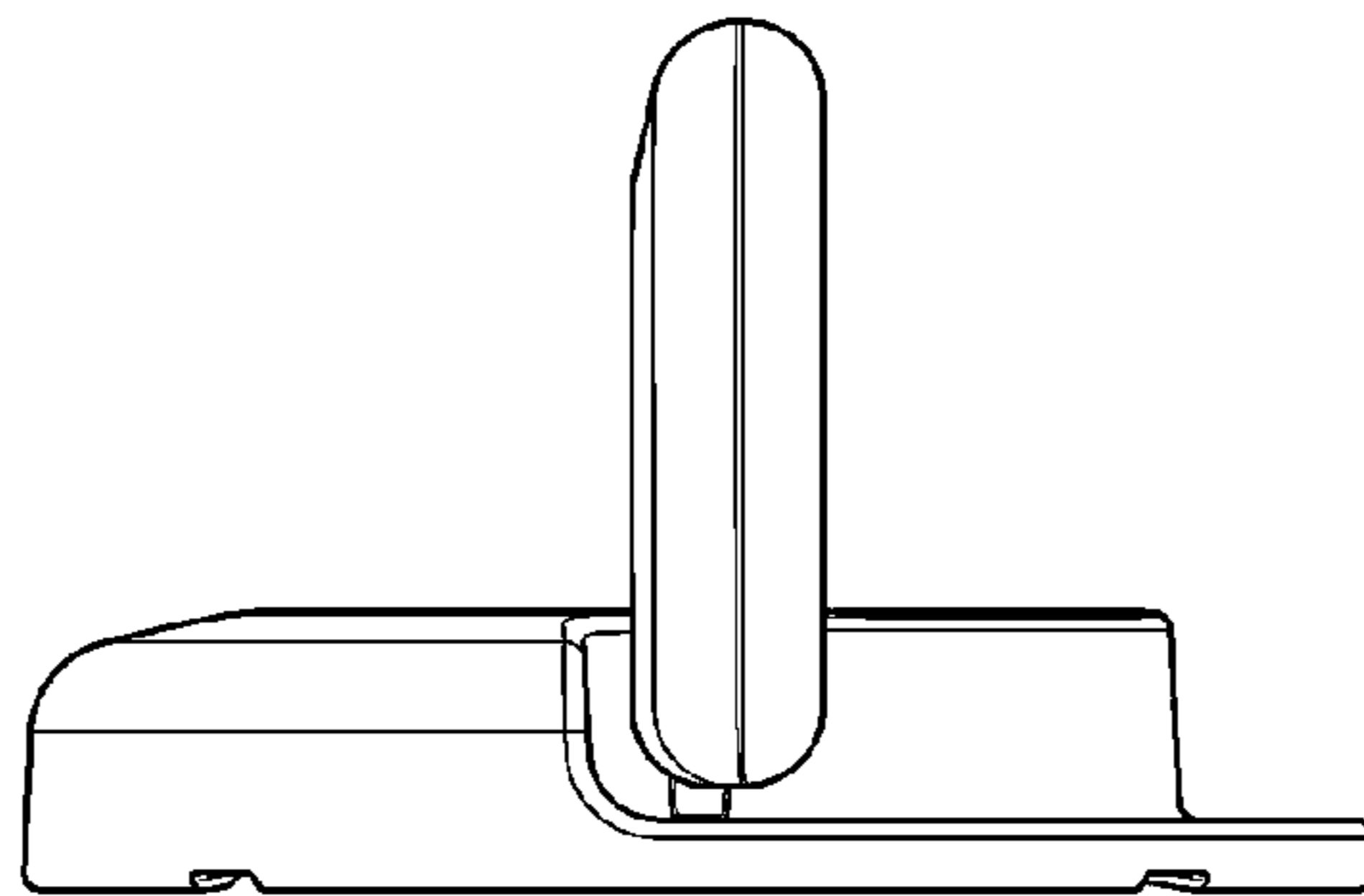


Fig. 5

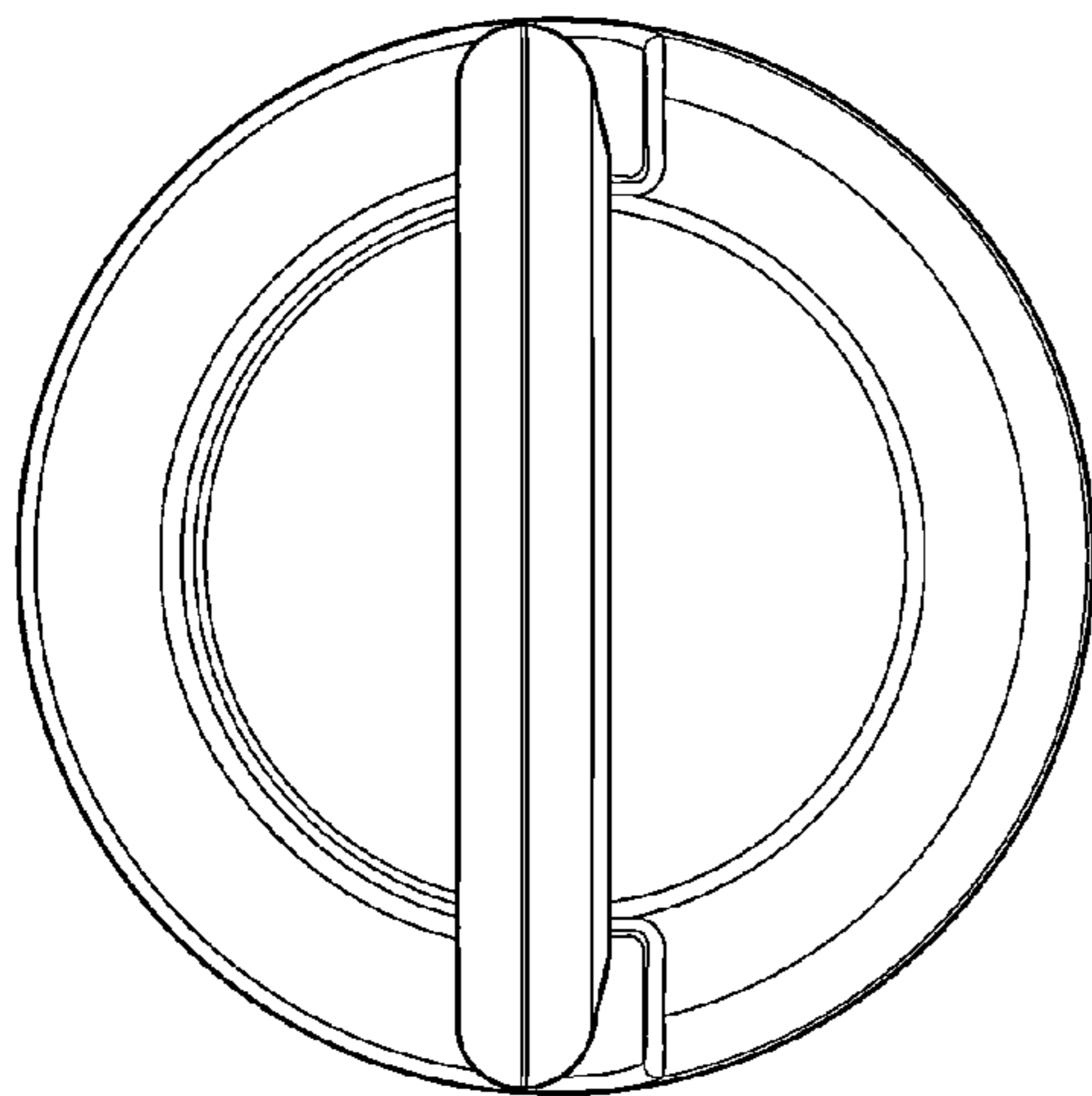


Fig. 6

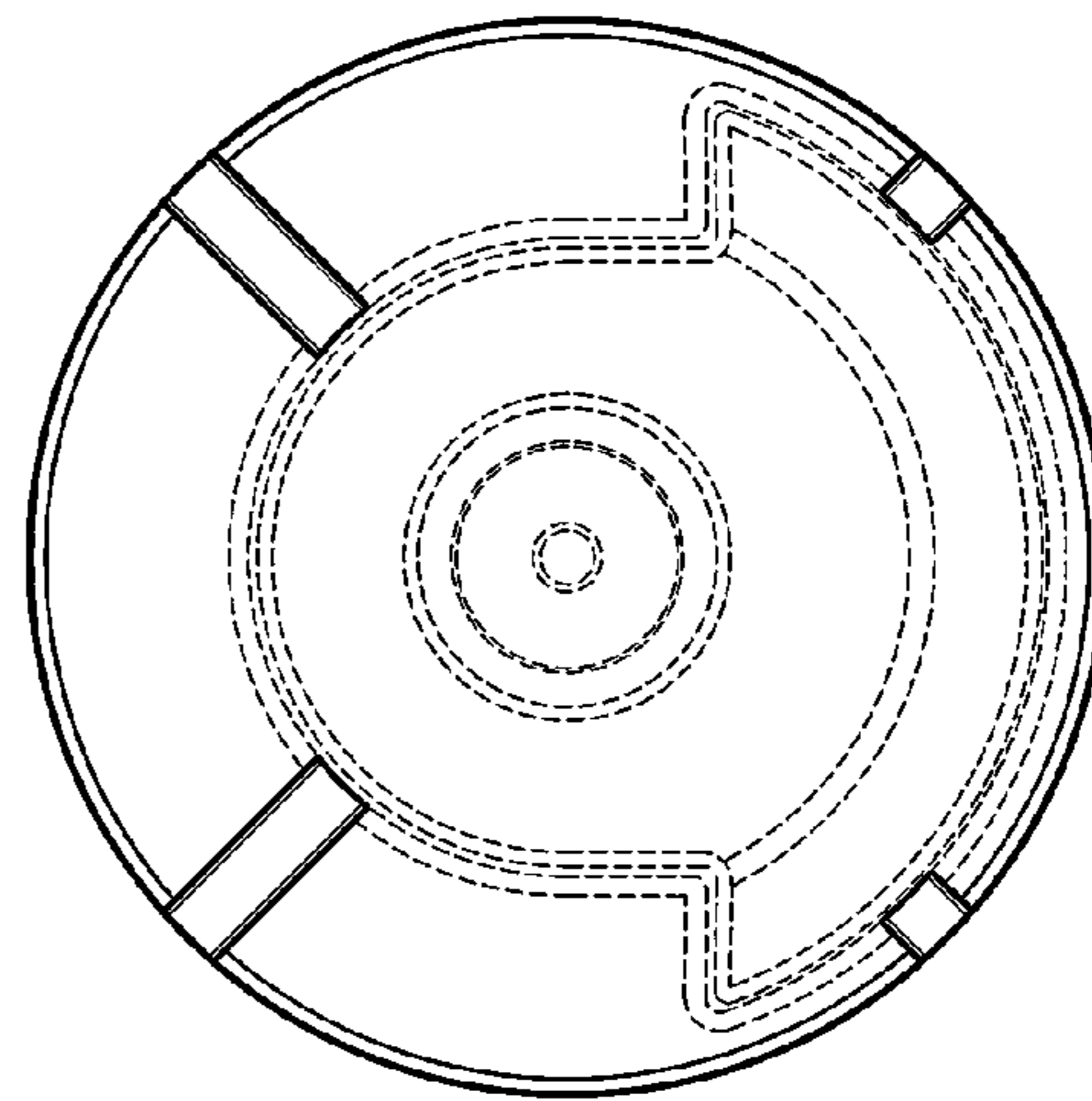


Fig. 7