



US00D703995S

(12) **United States Design Patent**  
**Bock**

(10) **Patent No.:** **US D703,995 S**  
(45) **Date of Patent:** **\*\* May 6, 2014**

- (54) **KITCHEN APPLIANCE BASE**
- (71) Applicant: **Hamilton Beach Brands, Inc.**, Glen Allen, VA (US)
- (72) Inventor: **Brian Bock**, Midlothian, VA (US)
- (73) Assignee: **Hamilton Beach Brands, Inc.**, Glen Allen, VA (US)
- (\*\*) Term: **14 Years**
- (21) Appl. No.: **29/447,180**
- (22) Filed: **Mar. 1, 2013**
- (51) **LOC (10) Cl.** ..... **31-00**
- (52) **U.S. Cl.**  
USPC ..... **D7/386; D7/376; D7/378; D7/412**
- (58) **Field of Classification Search**  
USPC ..... D7/301–313, 316–326, 354–357, 368, D7/372–386, 391–398, 402, 412–415, 503, D7/515, 543, 584–587, 607, 665–666, 679, D7/691–693; 99/280, 326, 348, 486, 492, 99/508–512; 241/30–37.5, 73, 82.1, 92, 241/98, 101.01–101.2, 166–169.1, 172, 241/272, 282.2, 285.1–285.3, 291, 292.1, 241/301; 366/64–67, 98, 129, 142–144, 366/169.1, 192–211, 241–254, 262, 366/279–292, 314, 325.8, 325.92, 366/341–347; 416/75–77, 70 R, 163  
See application file for complete search history.

D339,026	S	*	9/1993	Bannigan	.....	D7/384
D345,077	S	*	3/1994	Maass	.....	D7/379
D348,177	S	*	6/1994	Kelly et al.	.....	D7/381
D362,587	S	*	9/1995	Littmann	.....	D7/386
D362,783	S	*	10/1995	Cruz	.....	D7/379
D367,400	S	*	2/1996	Viemeister et al.	.....	D7/379
5,680,997	A		10/1997	Hedrington		
D416,168	S	*	11/1999	Huang	.....	D7/379
6,676,051	B2	*	1/2004	Rebordosa et al.	.....	241/73
D539,603	S	*	4/2007	Holderfield et al.	.....	D7/379
D553,427	S		10/2007	Ball		
D640,502	S		6/2011	Picozza et al.		
D665,224	S	*	8/2012	Benoit et al.	.....	D7/379
D682,606	S	*	5/2013	Machovina et al.	.....	D7/377
D689,734	S	*	9/2013	Bock	.....	D7/386
2007/0297281	A1		12/2007	Saunders et al.		
2011/0024537	A1		2/2011	Gonzalez		

\* cited by examiner

*Primary Examiner* — Ricky Pham

(74) *Attorney, Agent, or Firm* — Alexander D. Raring

(57) **CLAIM**

The ornamental design for a kitchen appliance base, as shown and described.

**DESCRIPTION**

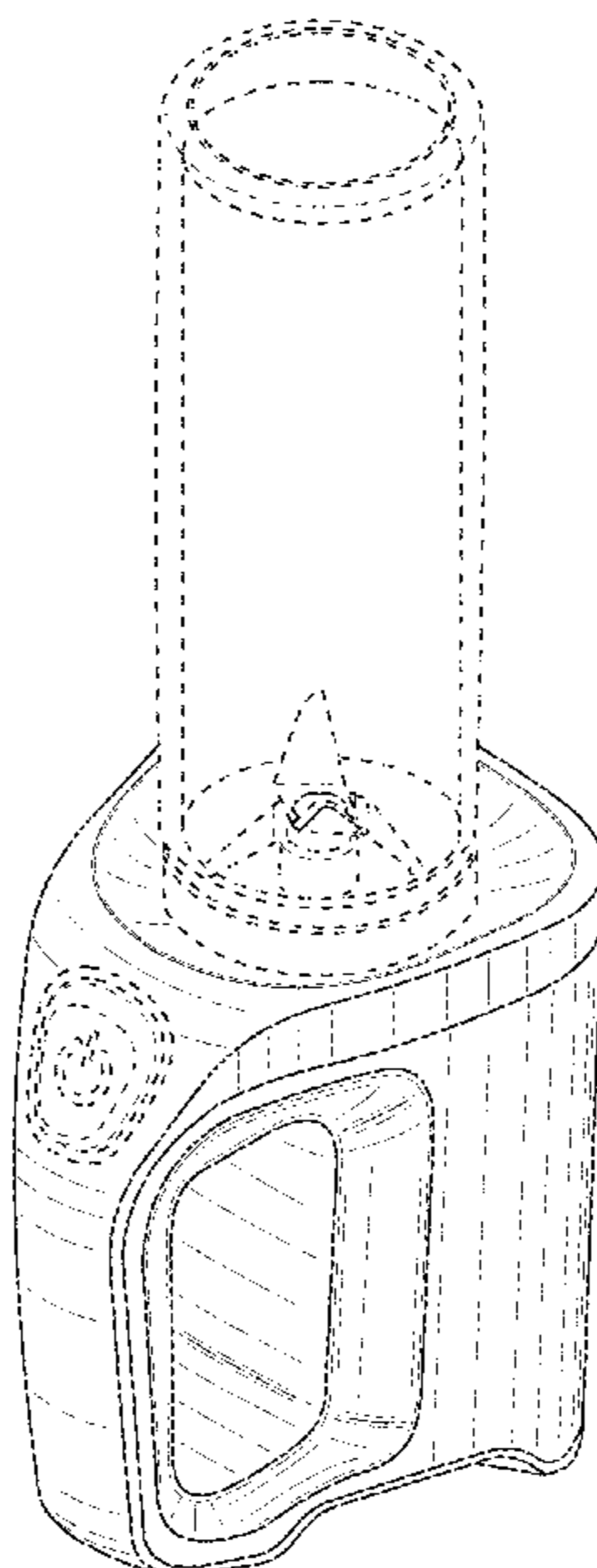
FIG. 1 is a perspective view as seen from the top, front and right side of a kitchen appliance base showing the new design; FIG. 2 is a front view thereof; FIG. 3 is a right side view thereof; FIG. 4 is a left side view thereof; FIG. 5 is a rear view thereof; FIG. 6 is a top view thereof; FIG. 7 is a bottom view thereof; and, FIG. 8 is an additional perspective view thereof. The broken lines in the drawings are included for illustrative purposes only and form no part of the claimed design.

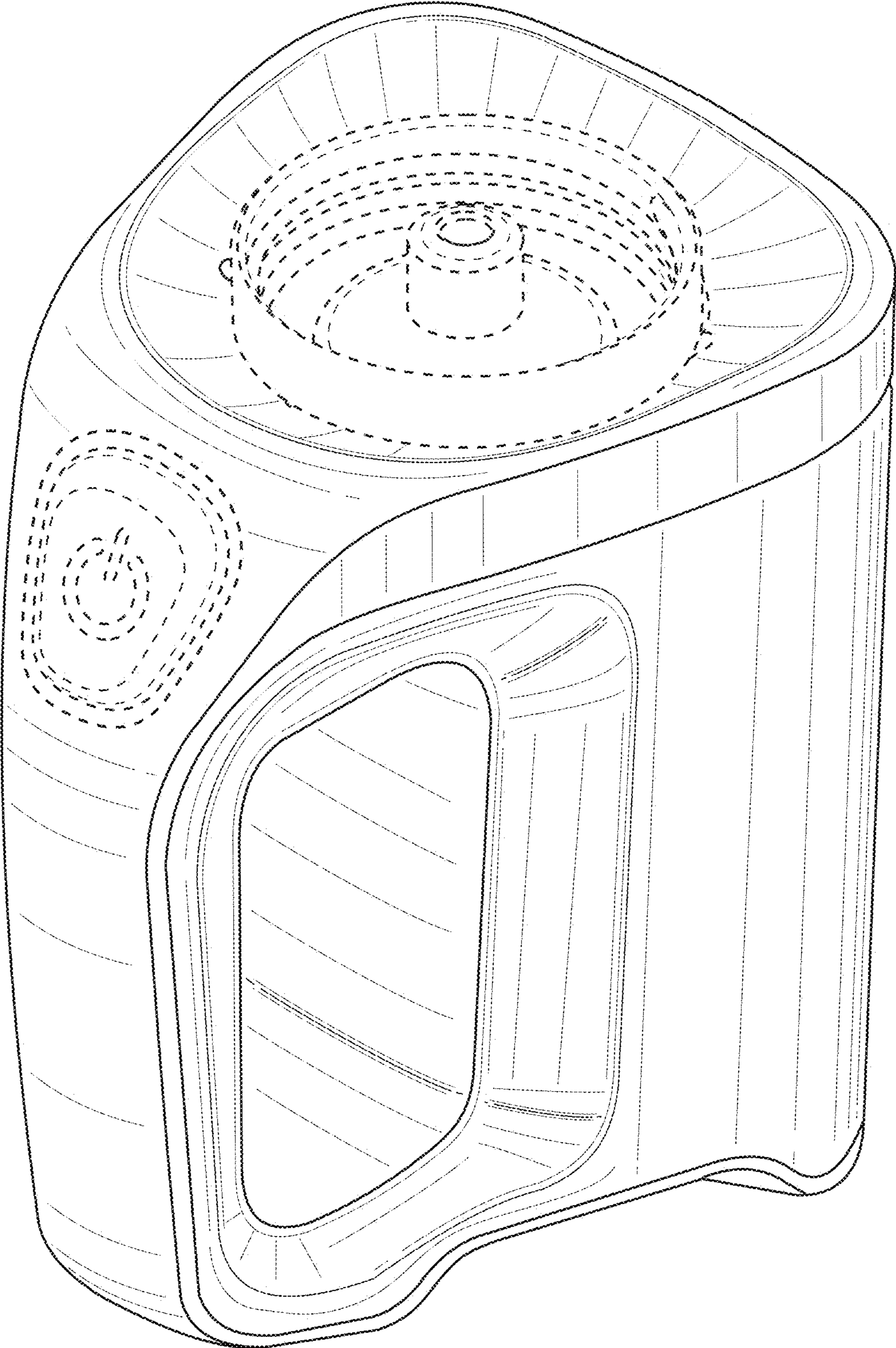
(56) **References Cited**

U.S. PATENT DOCUMENTS

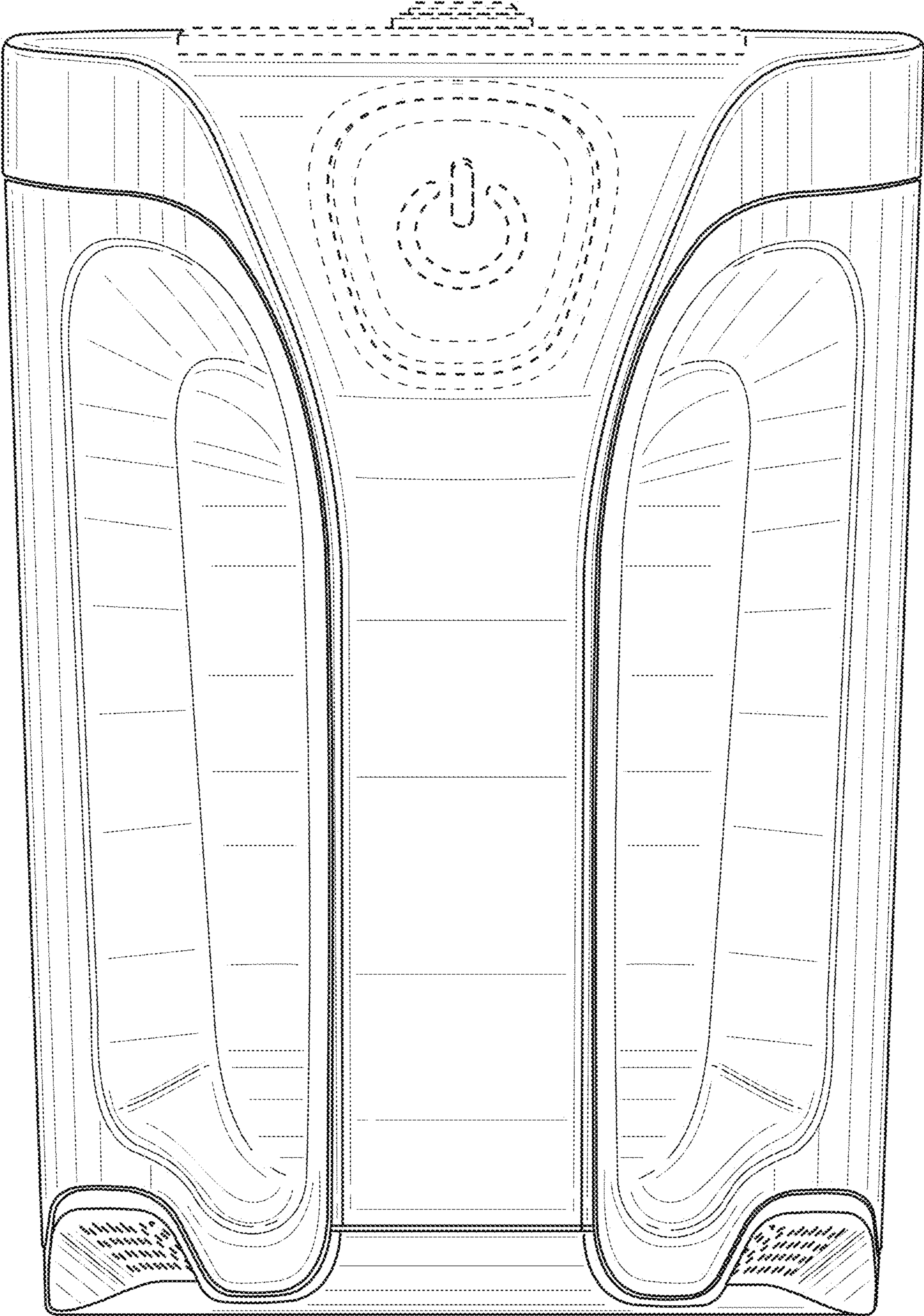
4,487,509	A	12/1984	Boyce	
D300,400	S	3/1989	Kelly et al.	
4,884,755	A	12/1989	Hedrington	
D329,165	S	*	9/1992	Doggett ..... D7/376

**1 Claim, 8 Drawing Sheets**

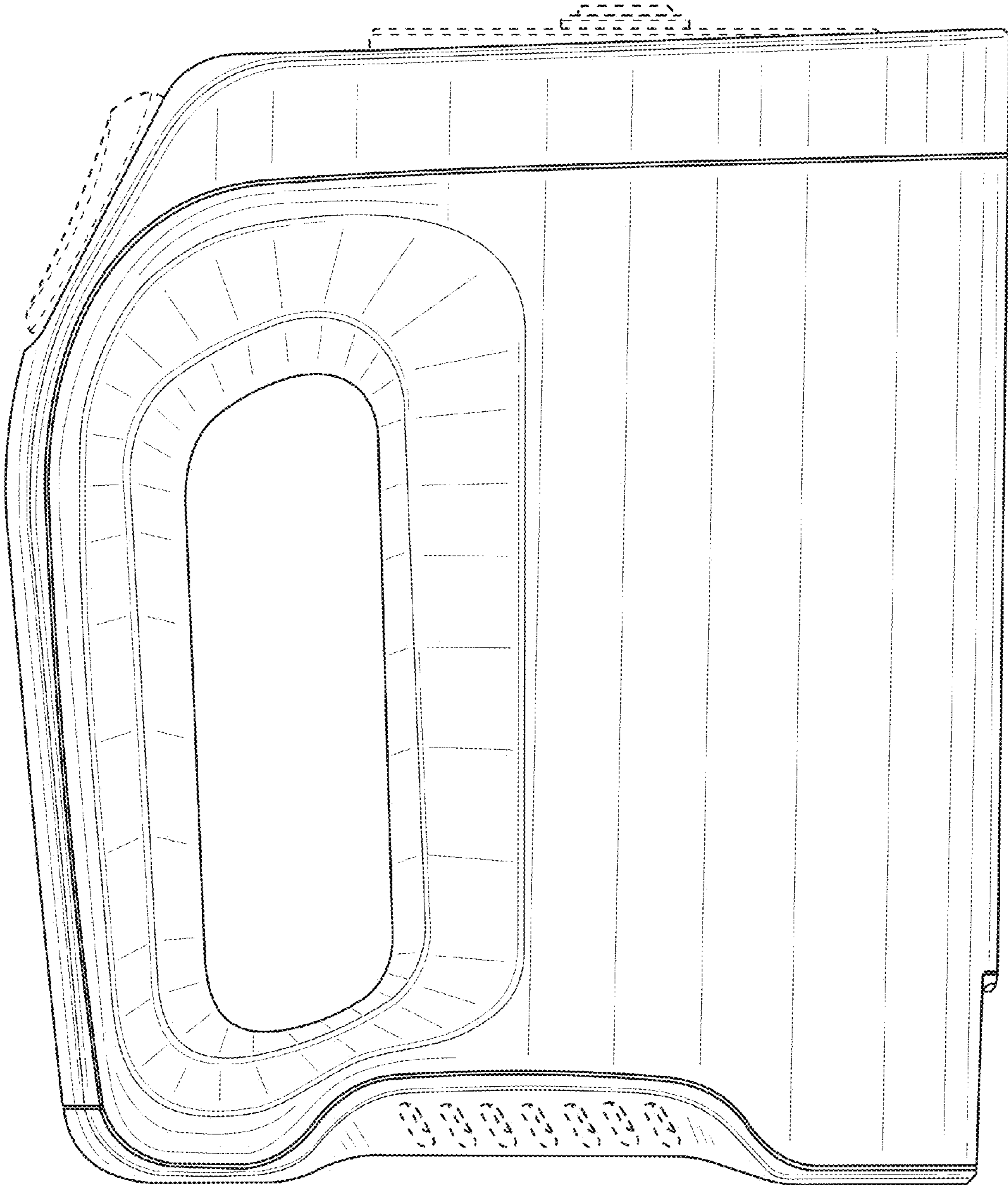




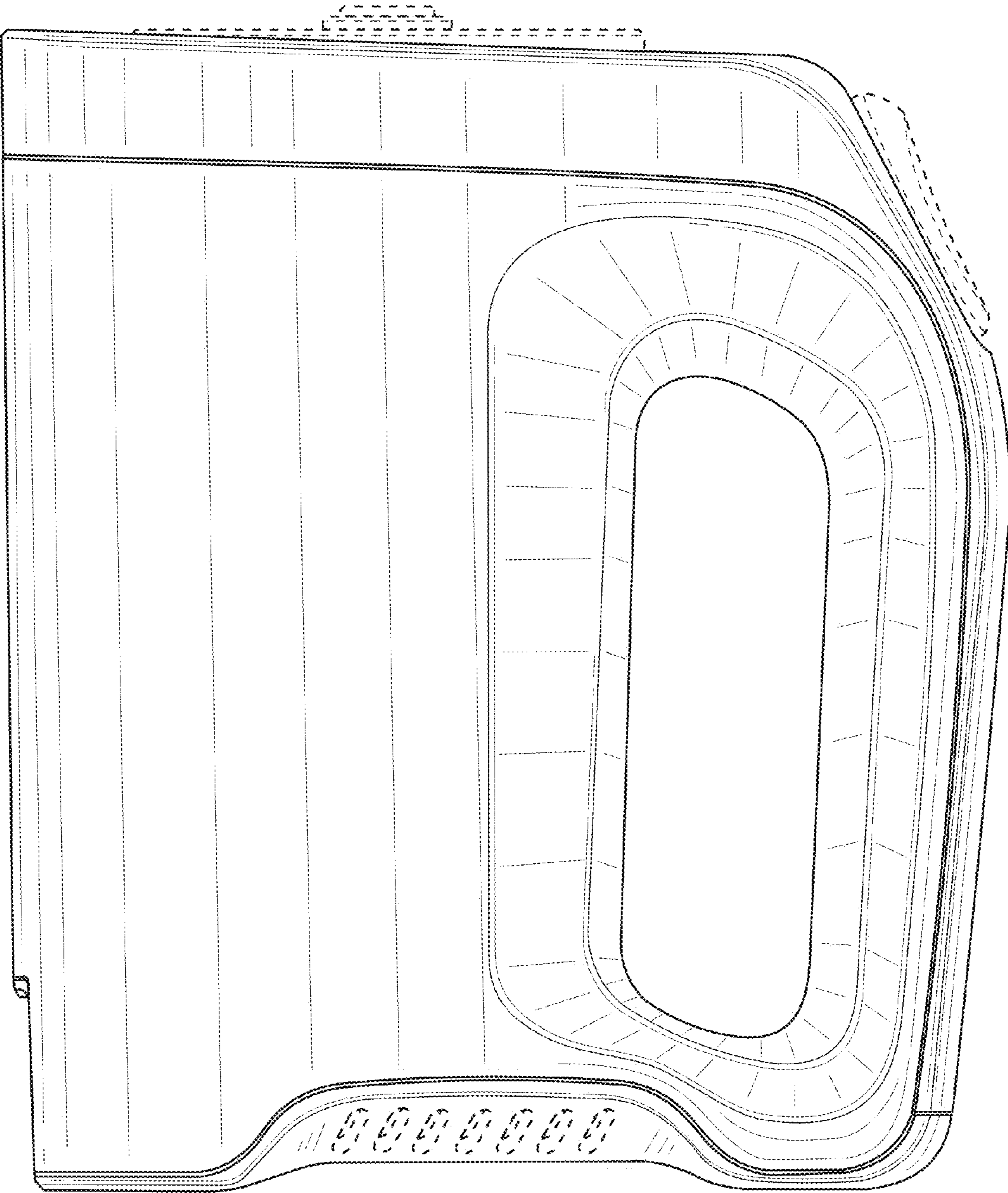
**FIG. 1**



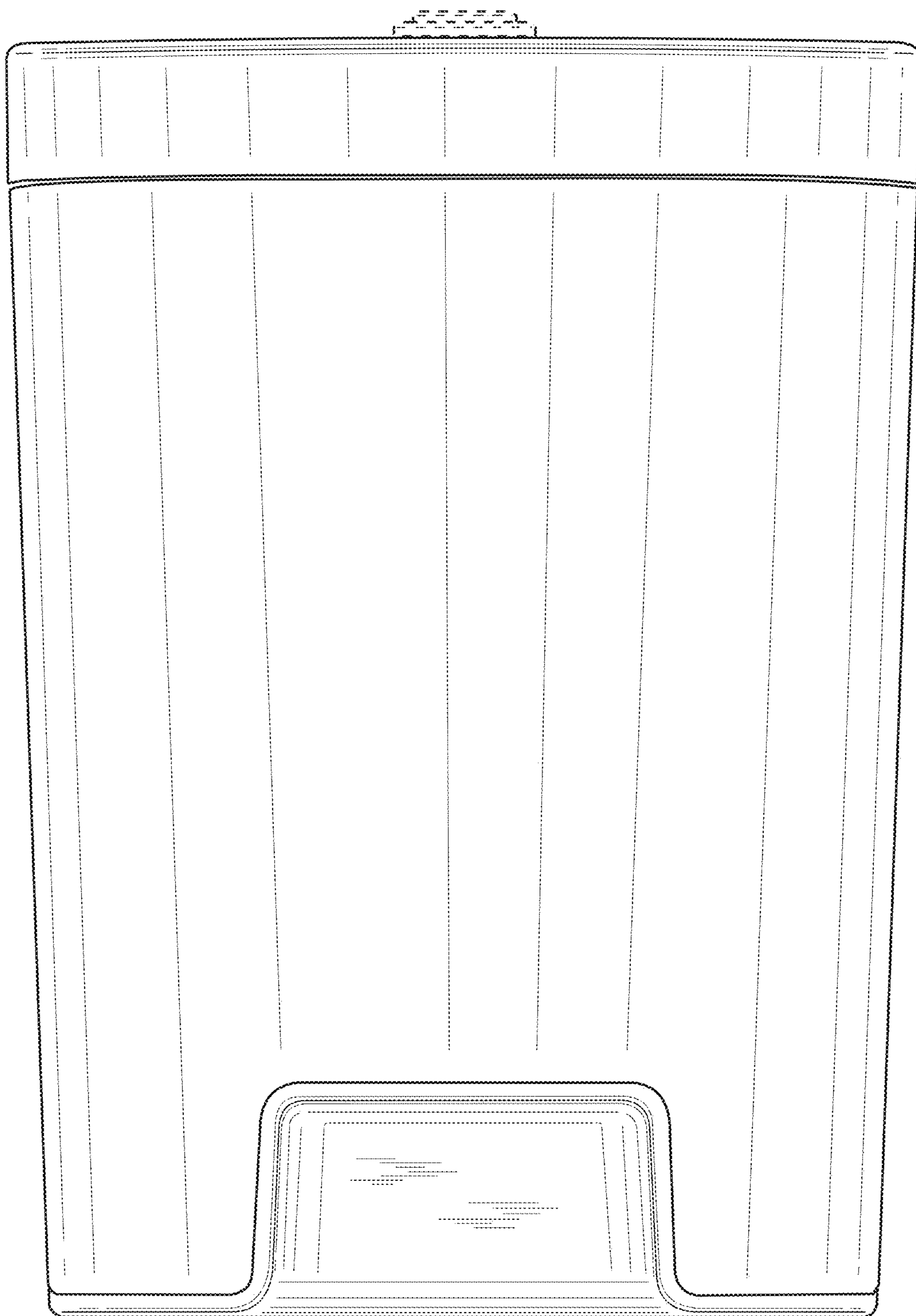
**FIG. 2**



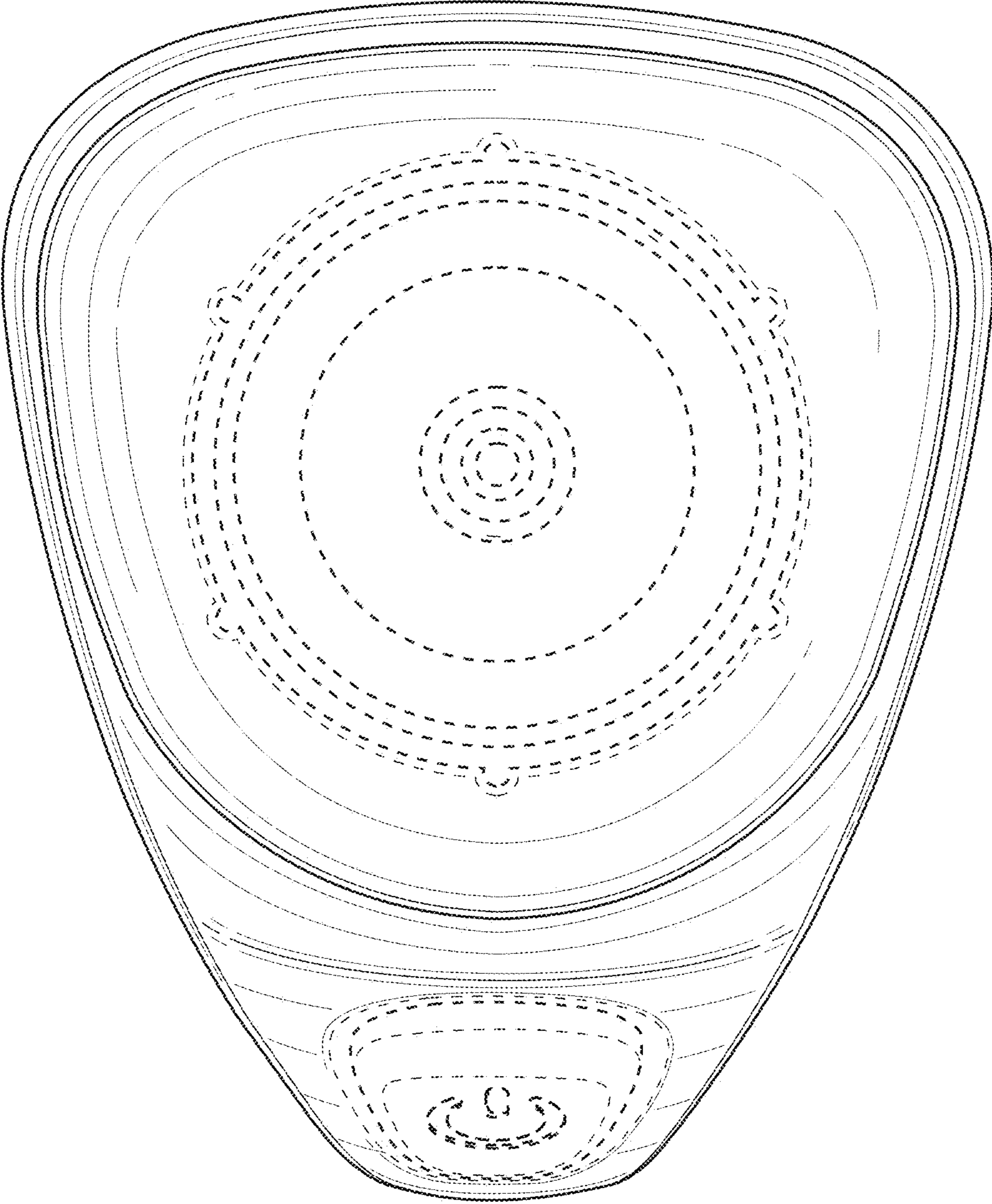
**FIG. 3**



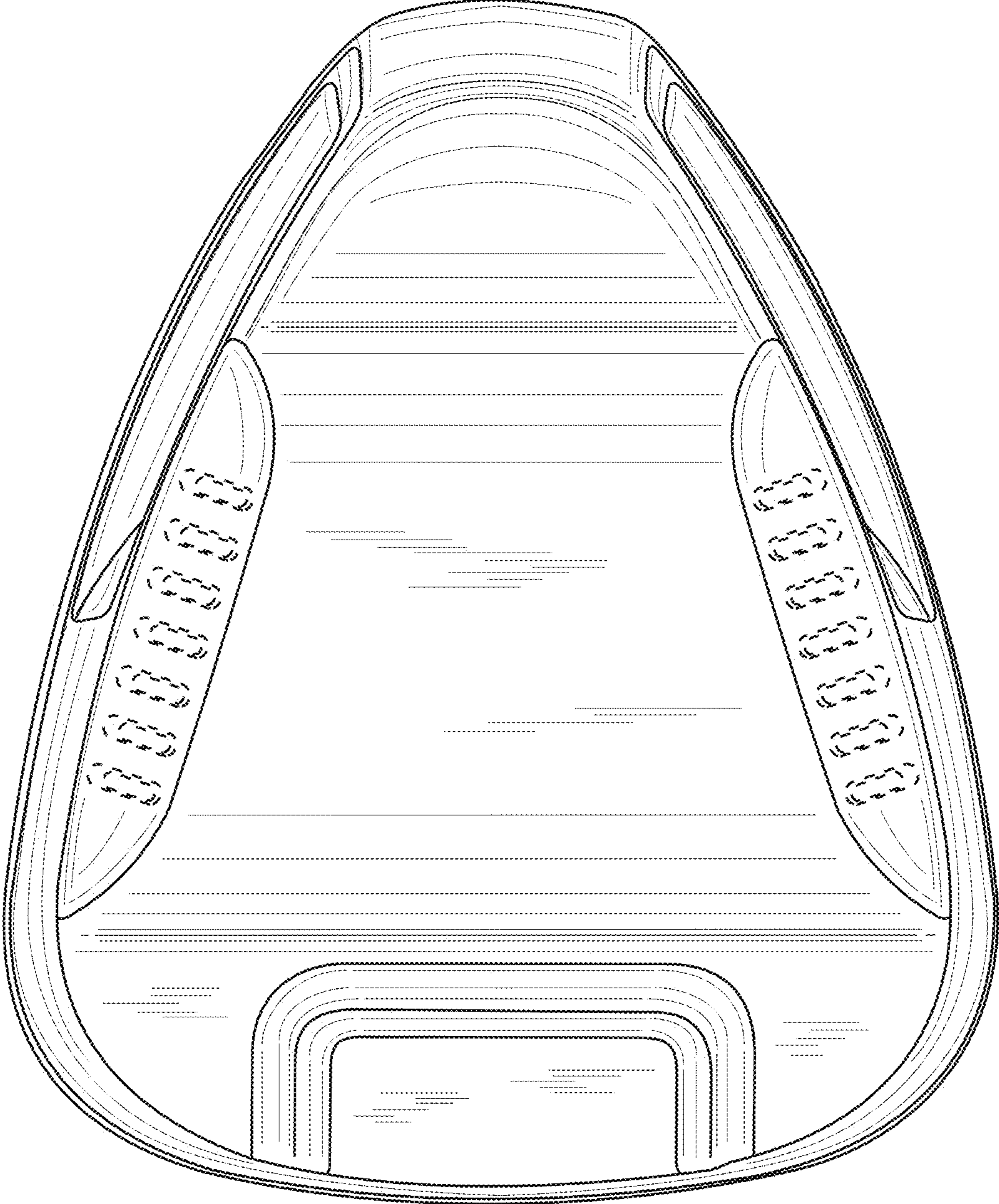
**FIG. 4**



**FIG. 5**

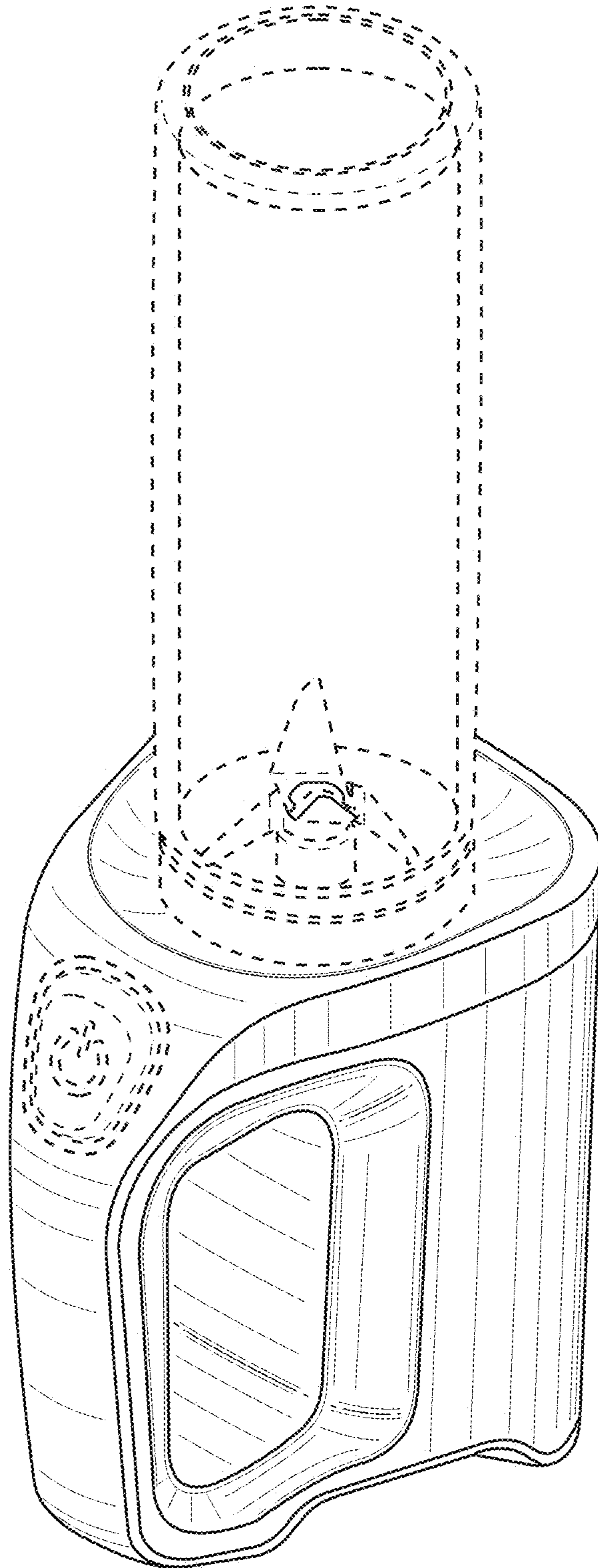


**FIG. 6**



**FIG. 7**





**FIG. 8**