



US00D703994S

(12) **United States Design Patent**
Tumenbatur et al.

(10) **Patent No.:** **US D703,994 S**
(45) **Date of Patent:** **** May 6, 2014**

(54) **PRESSURE COOKER**

(56) **References Cited**

(71) Applicant: **Pamir Limited**, Kowloon (HK)

U.S. PATENT DOCUMENTS

(72) Inventors: **Mahmut Tumenbatur**, Istanbul (TR);
David Kim Scott, Feilding (NZ);
Robert W. Stretton, Auckland (NZ)

D270,030 S	8/1983	Catry	
4,461,452 A	7/1984	Krejza	
5,370,259 A *	12/1994	Cartigny	220/316
D370,381 S	6/1996	Roussard	
D427,483 S *	7/2000	Geelen et al.	D7/360
6,105,810 A	8/2000	Daenen	
D439,104 S	3/2001	Thakur	
6,257,124 B1	7/2001	Chen	
D476,191 S	6/2003	Josancy	
D487,212 S	3/2004	Park	
7,082,871 B2	8/2006	Schultz	
D530,564 S *	10/2006	Chiba	D7/360
D532,250 S *	11/2006	Roussard	D7/358
D534,031 S *	12/2006	Roussard	D7/358
D557,062 S	12/2007	Henry	
D568,092 S	5/2008	Boes	
D576,445 S *	9/2008	Coudurier	D7/393
D581,206 S	11/2008	Roussard	
7,565,862 B2 *	7/2009	Cartigny et al.	99/337
D610,393 S	2/2010	Josancy	

(73) Assignee: **Pamir Limited**, Kowloon (HK)

(**) Term: **14 Years**

(21) Appl. No.: **29/434,709**

(22) Filed: **Oct. 16, 2012**

Related U.S. Application Data

(63) Continuation of application No. 29/411,104, filed on Jan. 17, 2012, now abandoned.

Foreign Application Priority Data

Jul. 21, 2011 (CN) 2011 3 0233641

(51) **LOC (10) Cl.** **07-02**

(52) **U.S. Cl.**
USPC **D7/358**

(58) **Field of Classification Search**

USPC D7/323, 329-332, 337-339, 346-347,
D7/350.1-350.4, 353-367, 391-395,
D7/402-406, 538, 542-543, 665;
99/324-327, 330-343, 369, 366,
99/400-418, 422, 425, 444, 483; 126/37 R,
126/41 R, 261, 378.1; 177/144;
219/386-387, 400, 405, 429-442,
219/452.11, 521-525, 620-624, 725,
219/730-735; 220/23.88, 314-316, 485,
220/573.1-573.5, 592.16, 912; 426/438,
426/441, 523

See application file for complete search history.

(Continued)

Primary Examiner — Ricky Pham

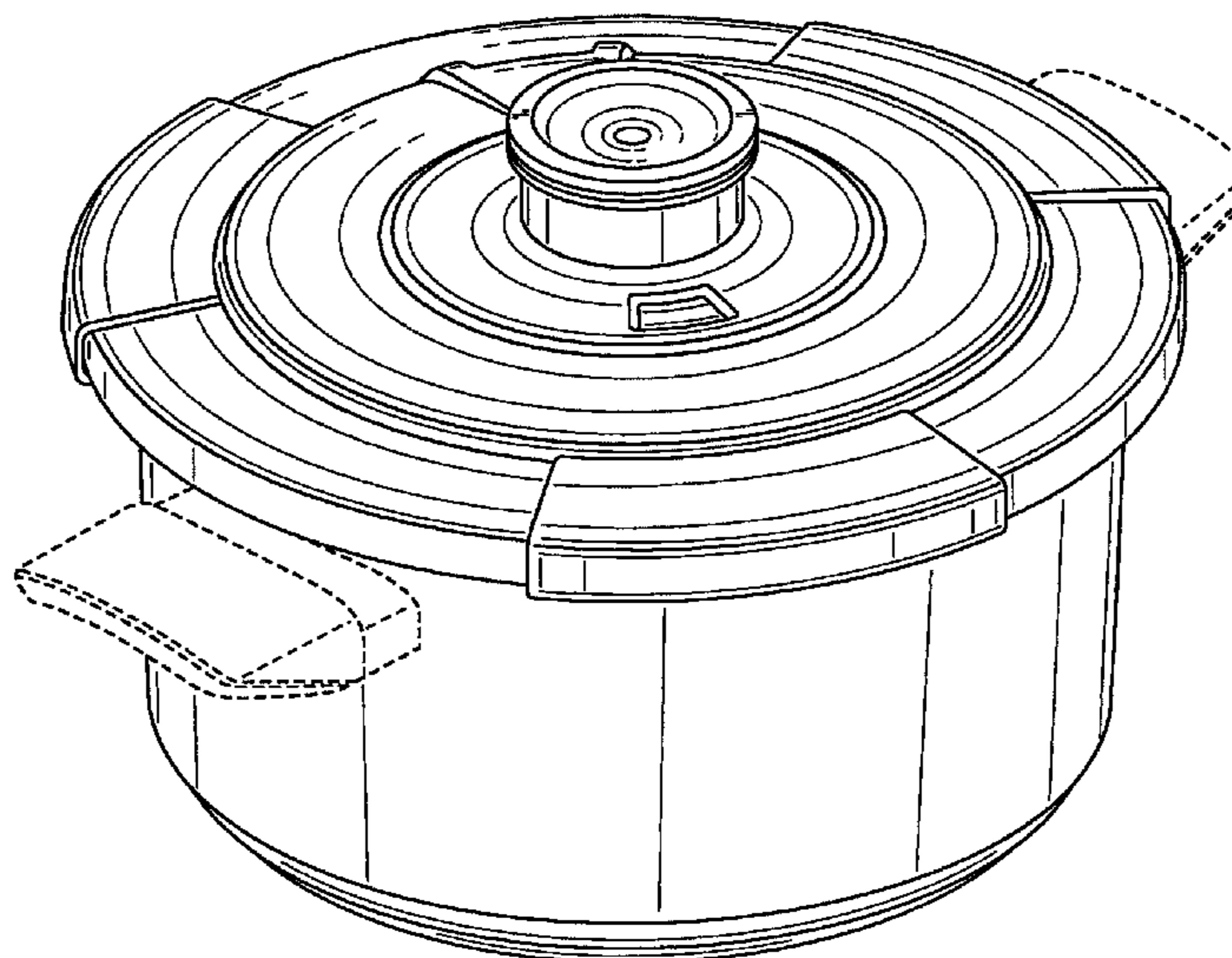
(57) **CLAIM**

We claim the ornamental design for a pressure cooker, as shown and described.

DESCRIPTION

FIG. 1 is a front perspective view of a pressure cooker, featuring the top, front and left sides thereof; FIG. 2 is a front elevational view thereof; FIG. 3 is a rear elevational view thereof; FIG. 4 is a left side elevational view thereof; FIG. 5 is a right side elevational view thereof; FIG. 6 is a top elevational view thereof; and, FIG. 7 is a bottom elevational view thereof. The broken lines shown in the drawings are for illustrative purposes only and form no part of the claimed design.

1 Claim, 5 Drawing Sheets



(56)

References Cited

U.S. PATENT DOCUMENTS

7,669,521 B2 *	3/2010	Cartigny et al.	99/337	8,230,779 B2 *	7/2012	Yang	99/403
D626,784 S *	11/2010	Xie	D7/360	D667,273 S *	9/2012	Henry	D7/542
D641,203 S	7/2011	Josancy		D683,179 S *	5/2013	Coursey et al.	D7/360
D641,204 S	7/2011	Baumgartner		2004/0250690 A1 *	12/2004	Restis et al.	99/403
				2009/0064868 A1	3/2009	Cartossi	
				2009/0301311 A1	12/2009	Cartigny	

* cited by examiner

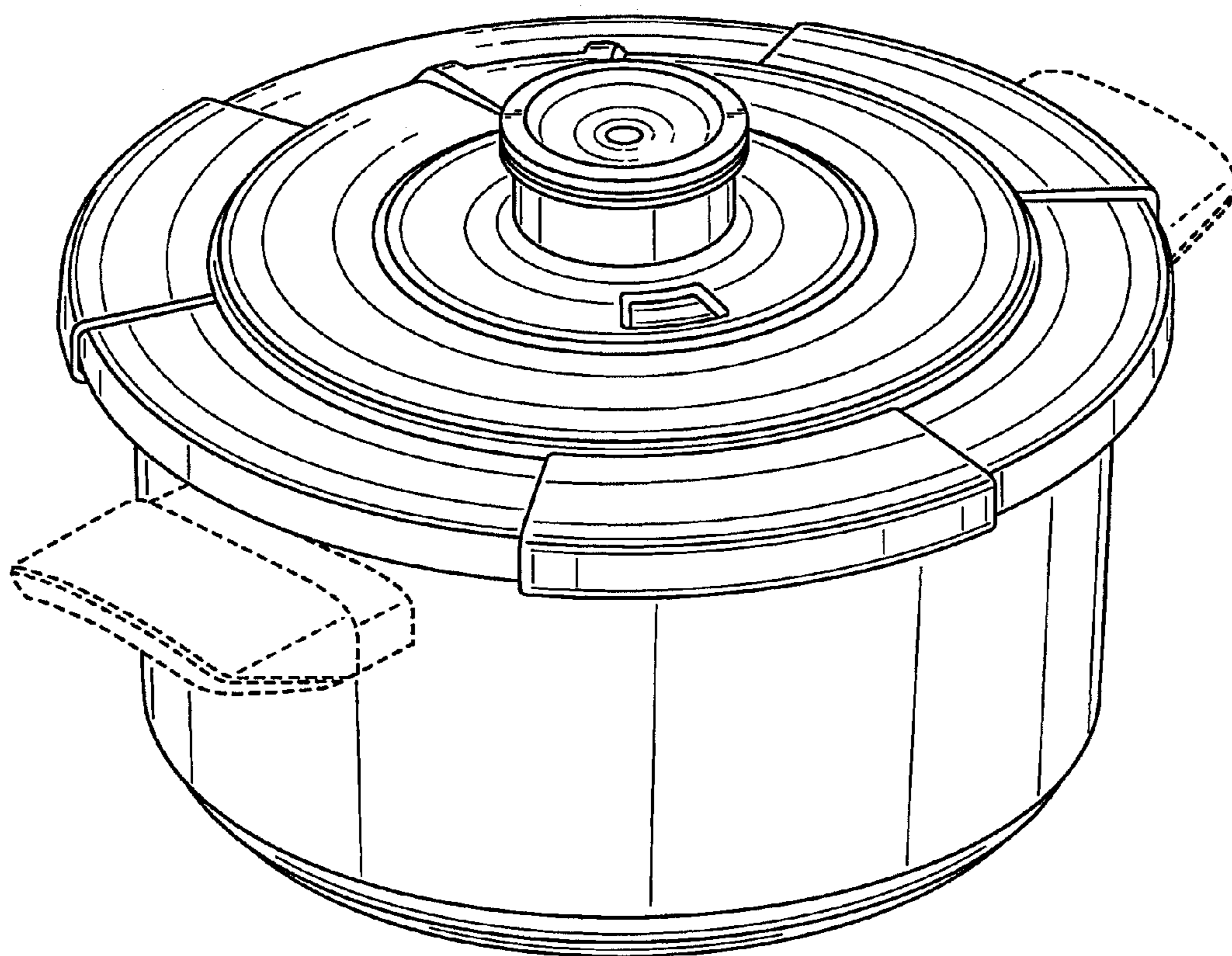


FIG. 1

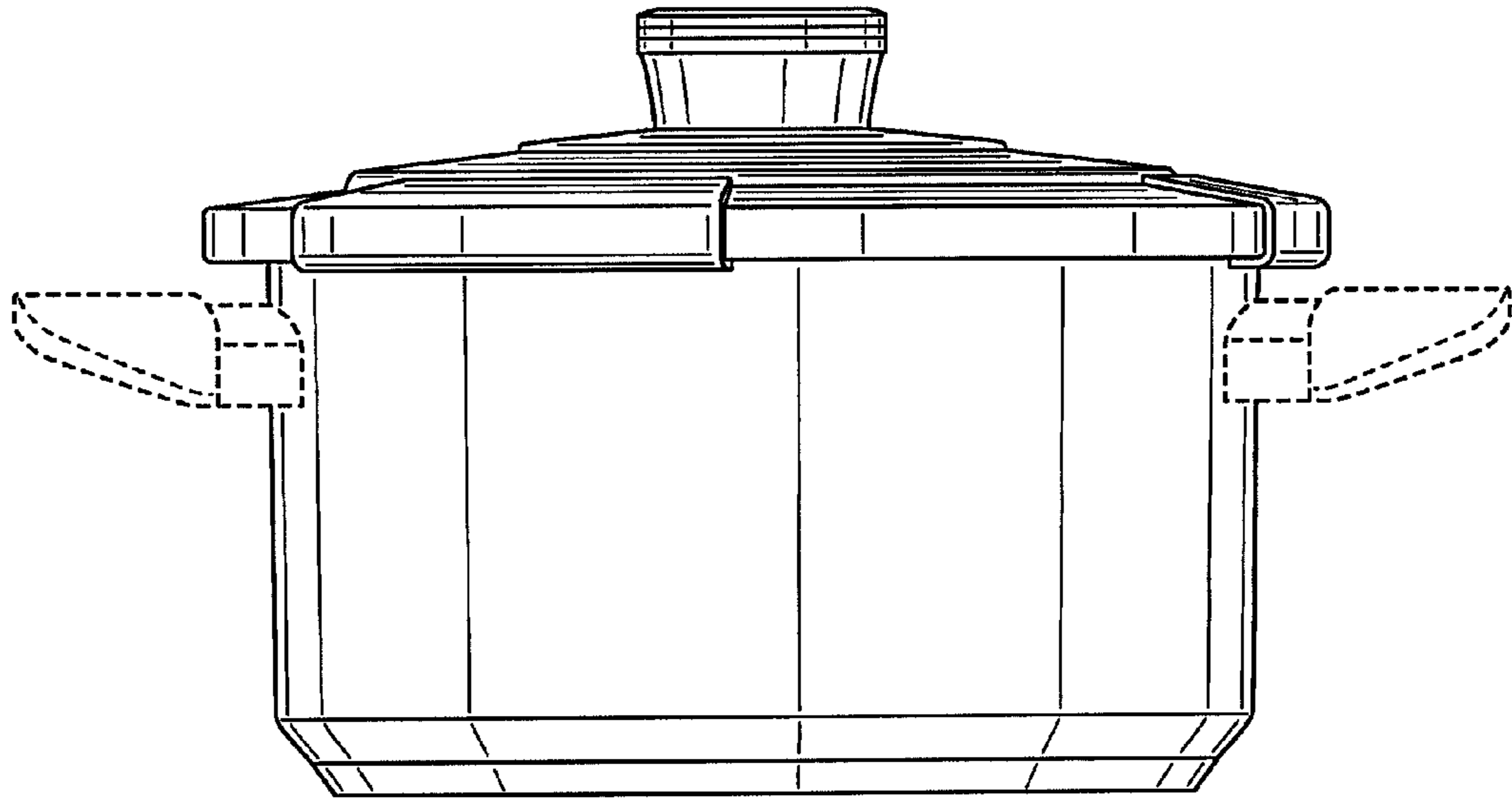


FIG. 2

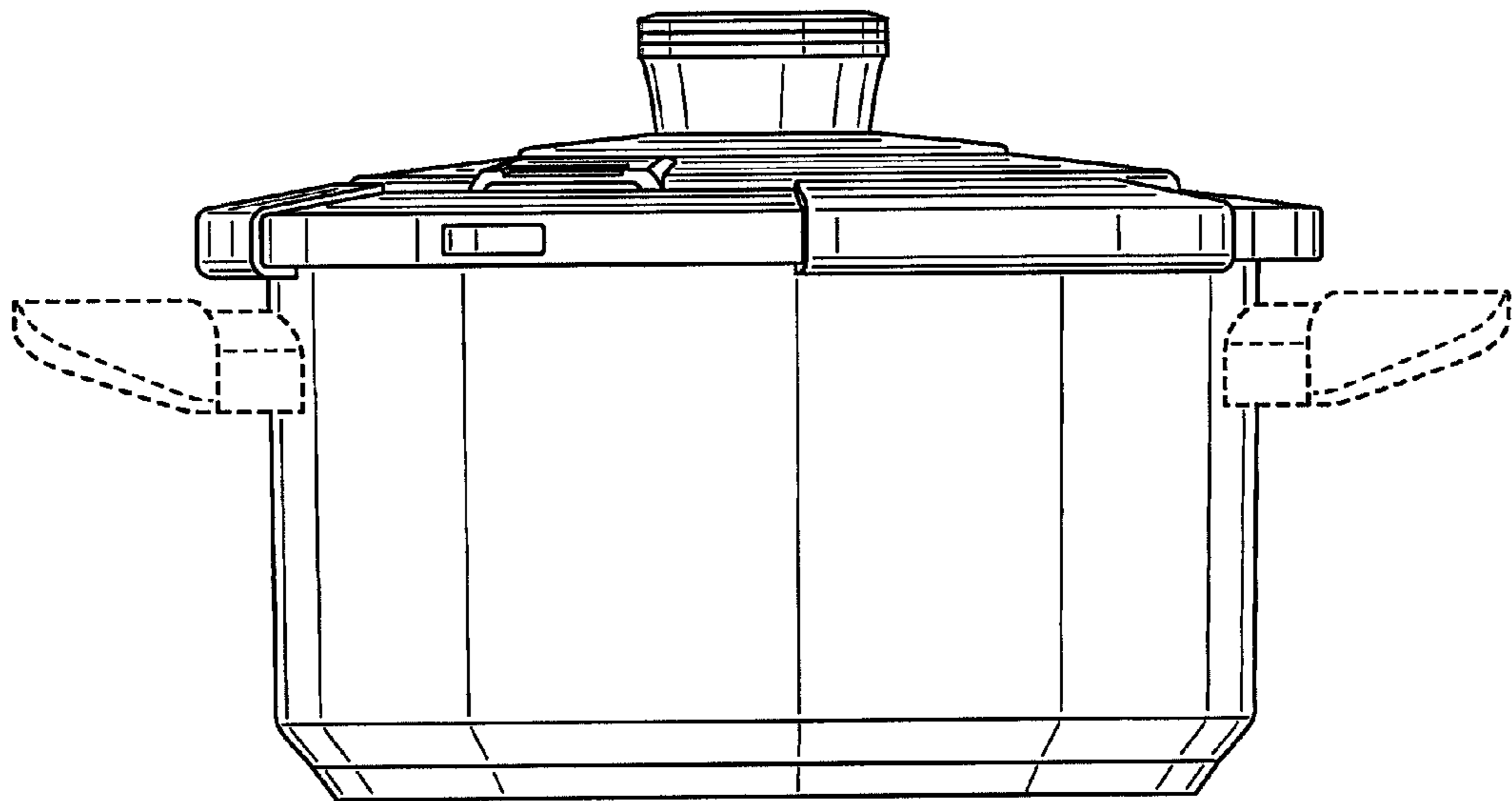


FIG. 3

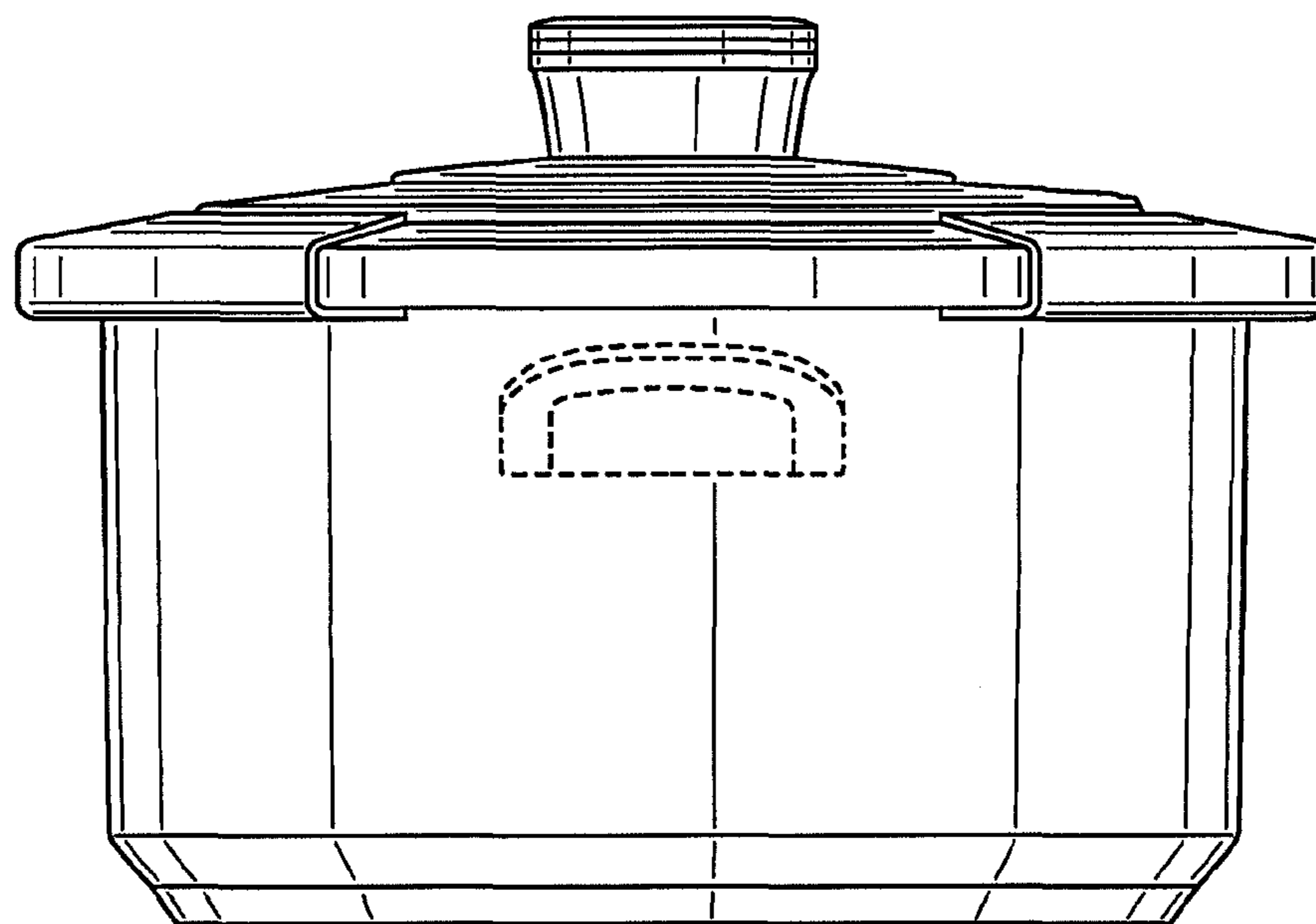


FIG. 4

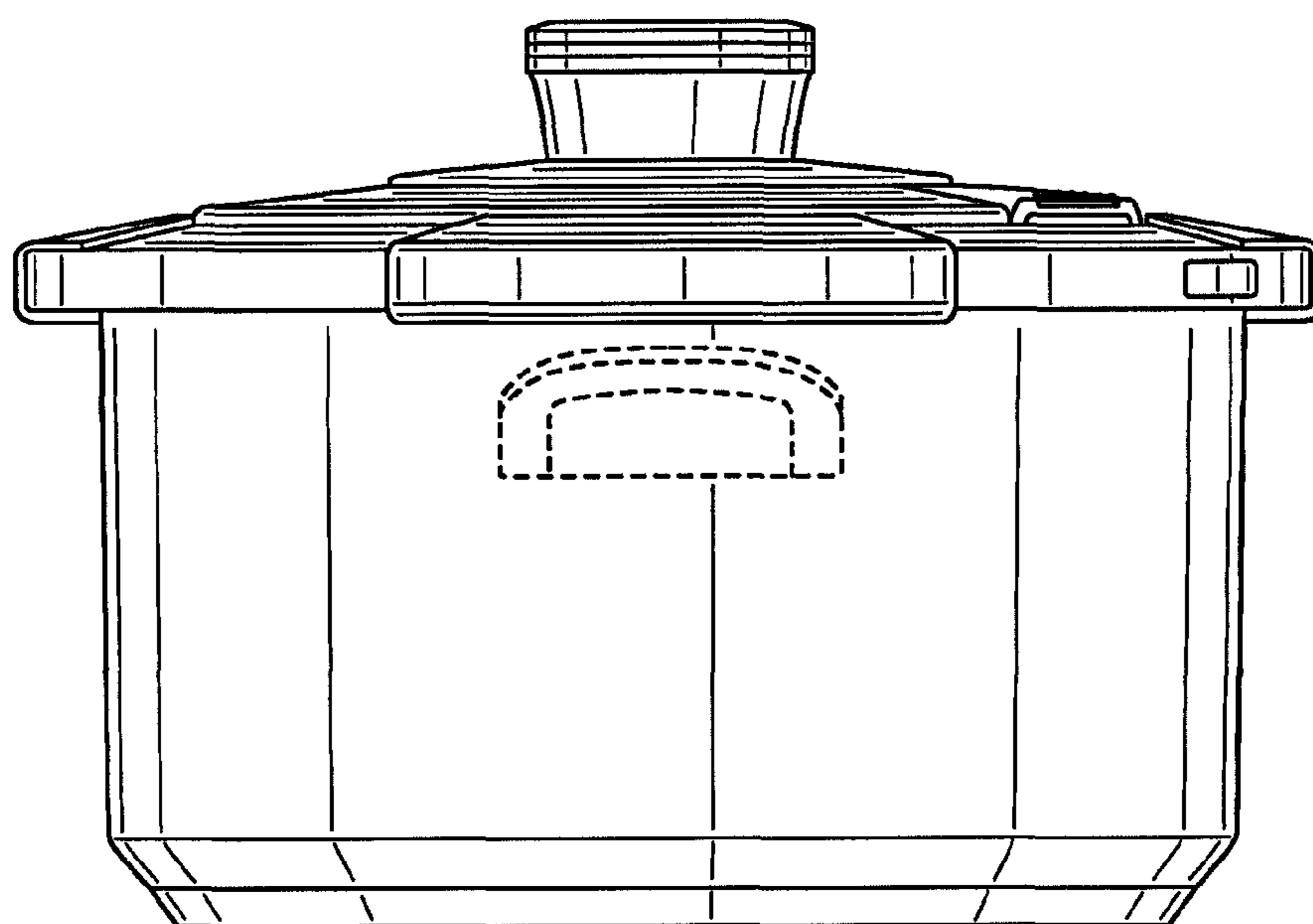


FIG. 5

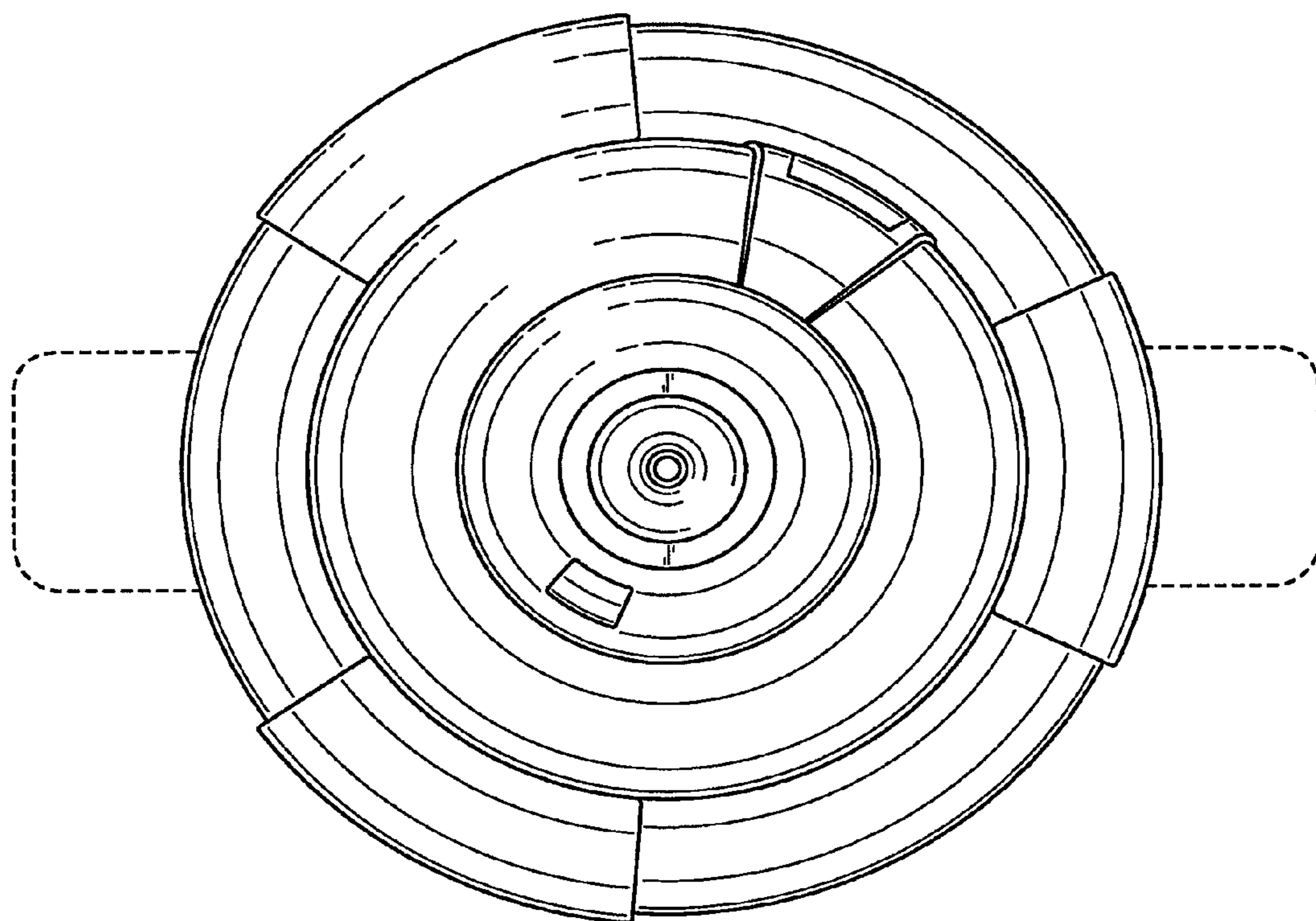


FIG. 6

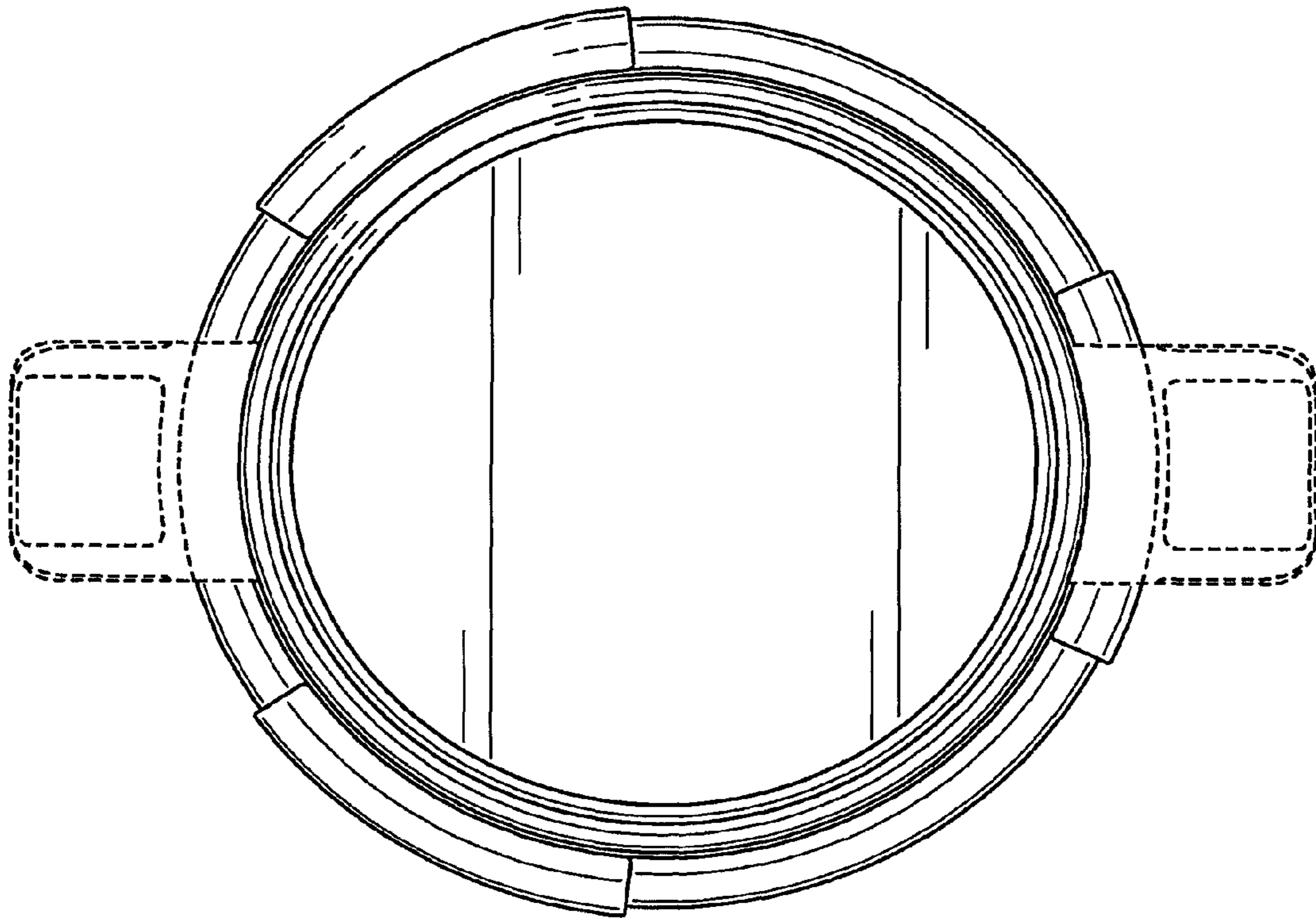


FIG. 7