



US00D703993S

(12) **United States Design Patent**
Garman

(10) **Patent No.:** **US D703,993 S**

(45) **Date of Patent:** **** May 6, 2014**

(54) **TOASTER OVEN**

(71) Applicant: **Hamilton Beach Brands, Inc.**, Glen Allen, VA (US)

(72) Inventor: **Michael Garman**, Moseley, VA (US)

(73) Assignee: **Hamilton Beach Brands, Inc.**, Glen Allen

(**) Term: **14 Years**

(21) Appl. No.: **29/444,768**

(22) Filed: **Feb. 4, 2013**

(51) **LOC (10) Cl.** **07-02**

(52) **U.S. Cl.**
USPC **D7/350.1**

(58) **Field of Classification Search**
USPC D7/350.1, 350.3, 350.4, 402, 405, 406;
219/756-758; 126/19 M, 21 A, 275 E
See application file for complete search history.

(56) **References Cited**

U.S. PATENT DOCUMENTS

2,989,915 A	6/1961	Lonzi
3,180,248 A	4/1965	Mell
3,756,219 A	9/1973	Snyder
4,754,121 A	6/1988	Fujino et al.
5,483,947 A	1/1996	Giebel et al.
5,866,876 A	2/1999	Su

D413,041 S	8/1999	Lin-Yun	
5,934,180 A	8/1999	Lin	
D422,172 S *	4/2000	Hsu	D7/350.1
D423,280 S	4/2000	Lin	
D433,867 S *	11/2000	Hsu	D7/350.4
D438,421 S *	3/2001	Su	D7/350.1
6,199,548 B1	3/2001	Hsu	
6,271,502 B1	8/2001	Lee	
D451,333 S *	12/2001	Hsu	D7/350.4
6,707,009 B1	3/2004	Ancona et al.	
D501,356 S *	2/2005	Averty	D7/350.4
7,021,203 B2	4/2006	Backus et al.	

* cited by examiner

Primary Examiner — Ruth McInroy

(74) *Attorney, Agent, or Firm* — Alexander D. Raring

(57) **CLAIM**

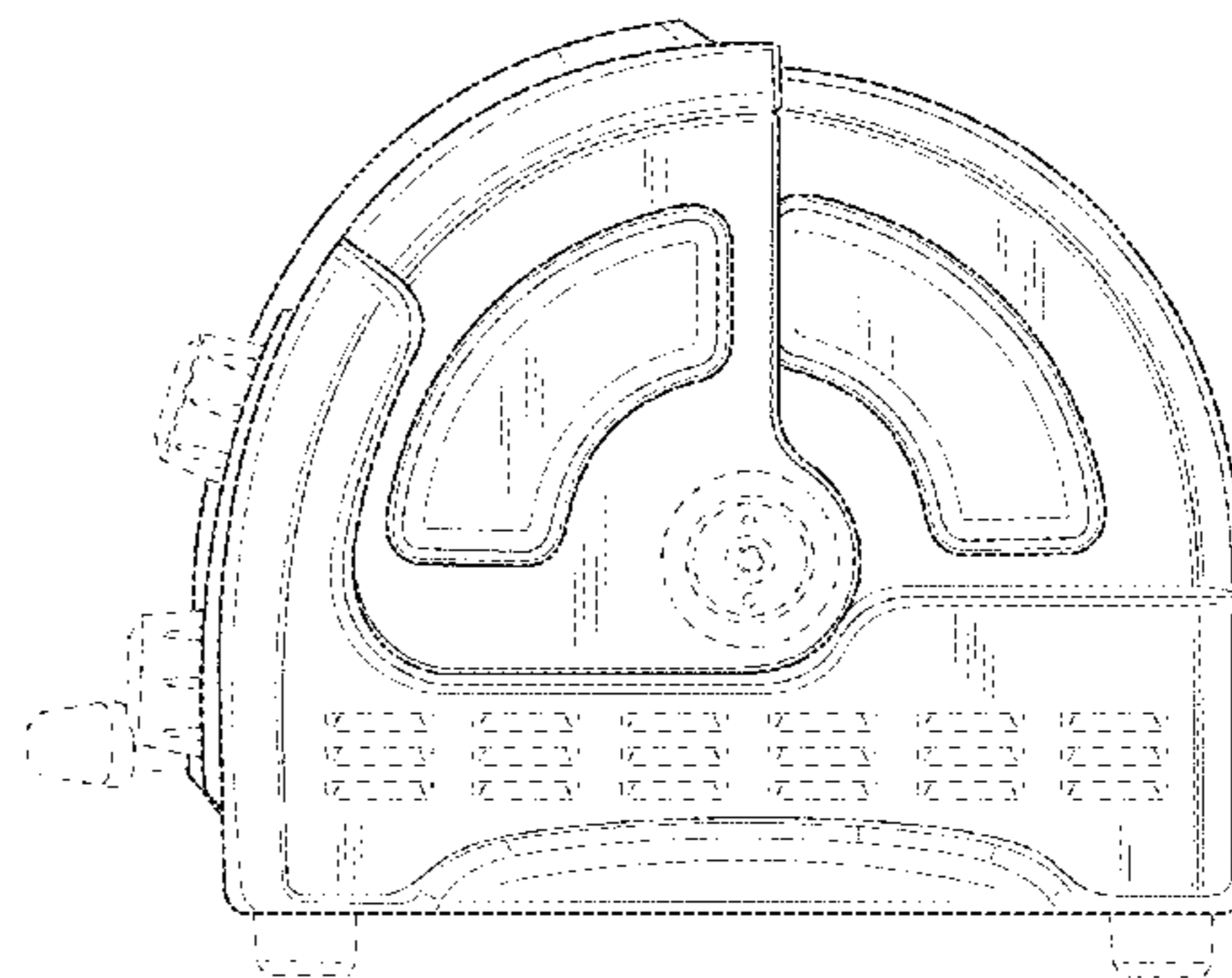
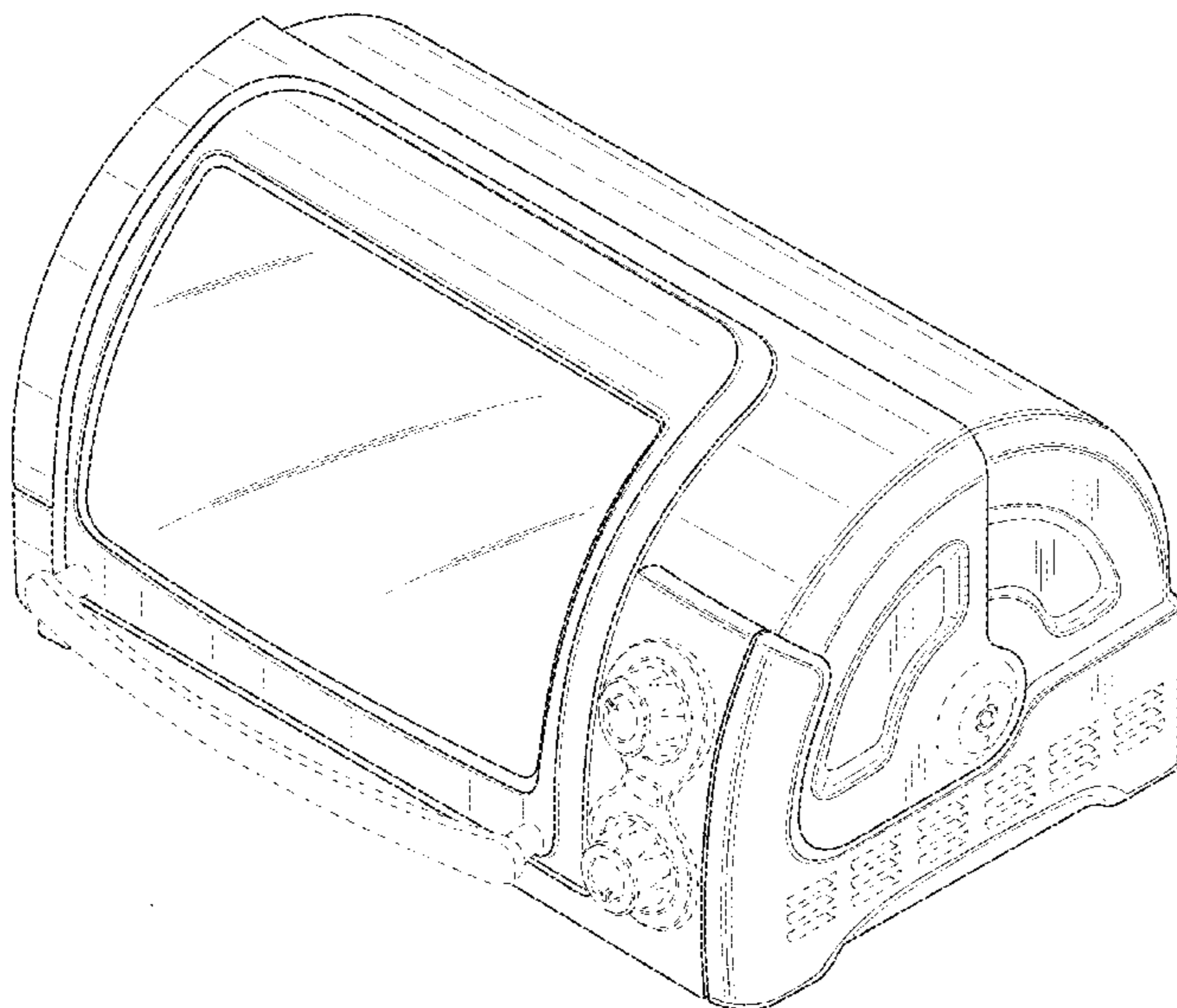
The ornamental design for a toaster oven, as shown and described.

DESCRIPTION

FIG. 1 is a perspective view as seen from the top, front and right side of a toaster oven showing the new design; FIG. 2 is a front view thereof; FIG. 3 is a rear view thereof; FIG. 4 is a right side view thereof; FIG. 5 is a left side view thereof; FIG. 6 is a top view thereof; and, FIG. 7 is a bottom view thereof.

The broken lines in the drawings are included for illustrative purposes only and form no part of the claimed design.

1 Claim, 7 Drawing Sheets



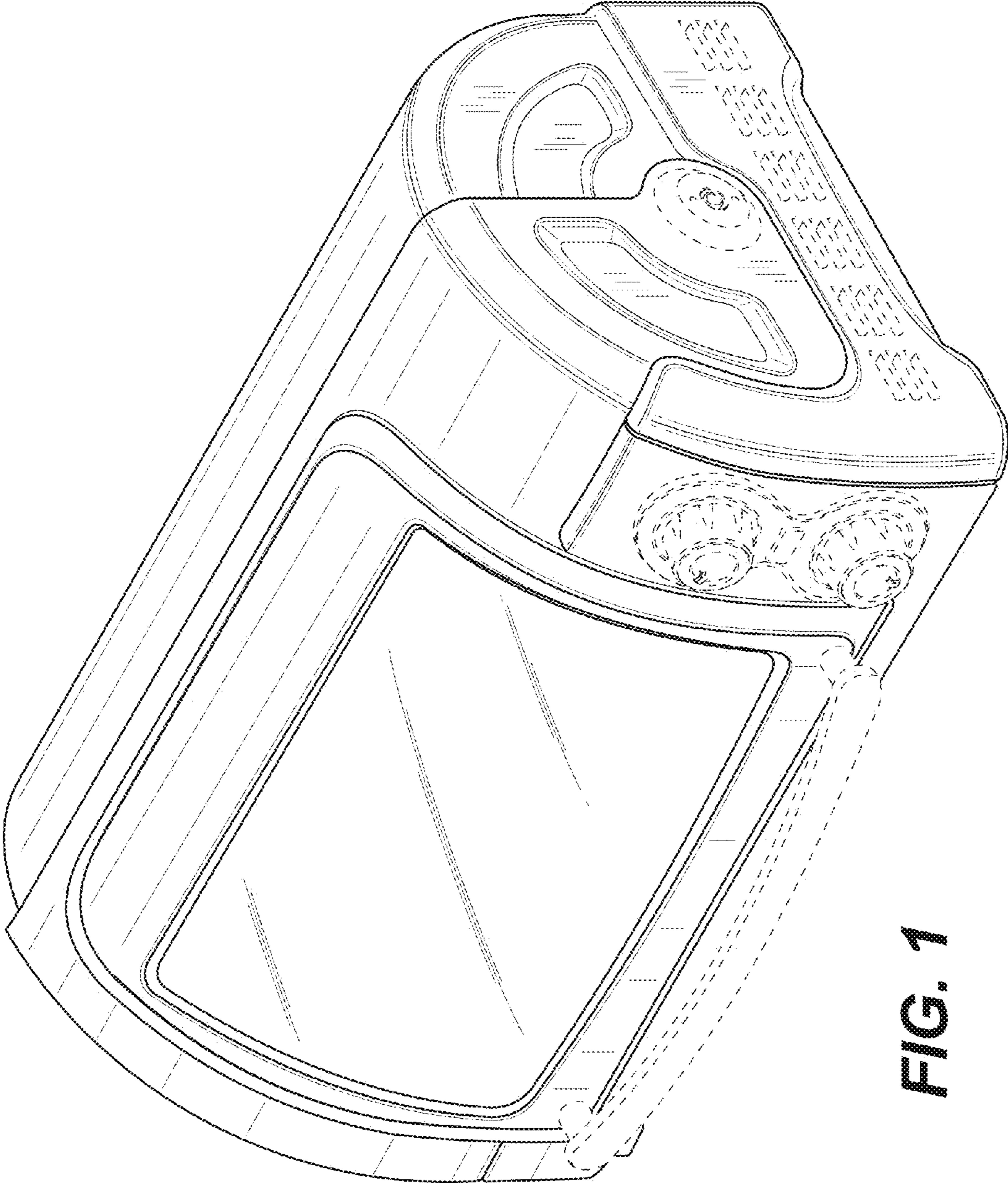


FIG. 1

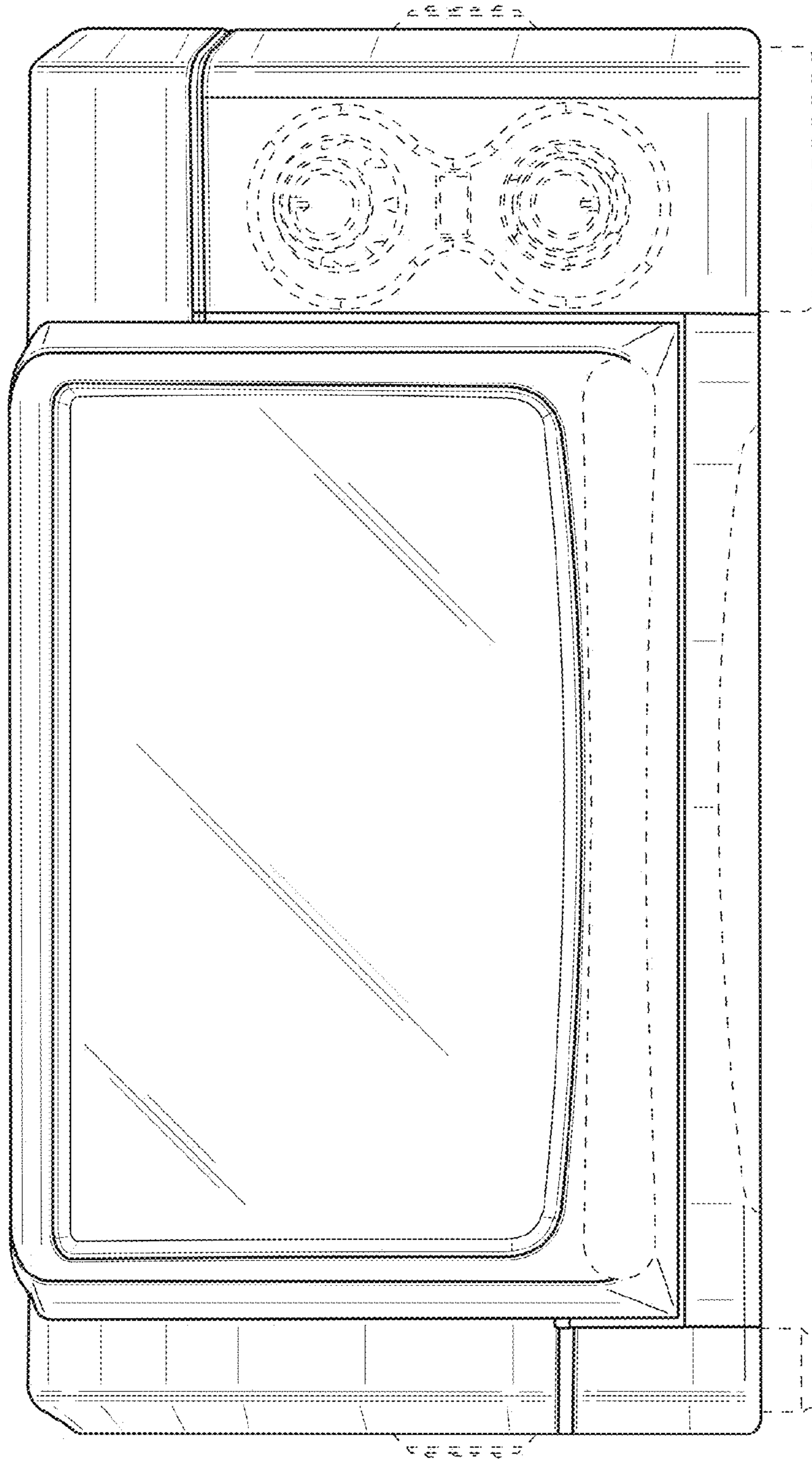


FIG. 2

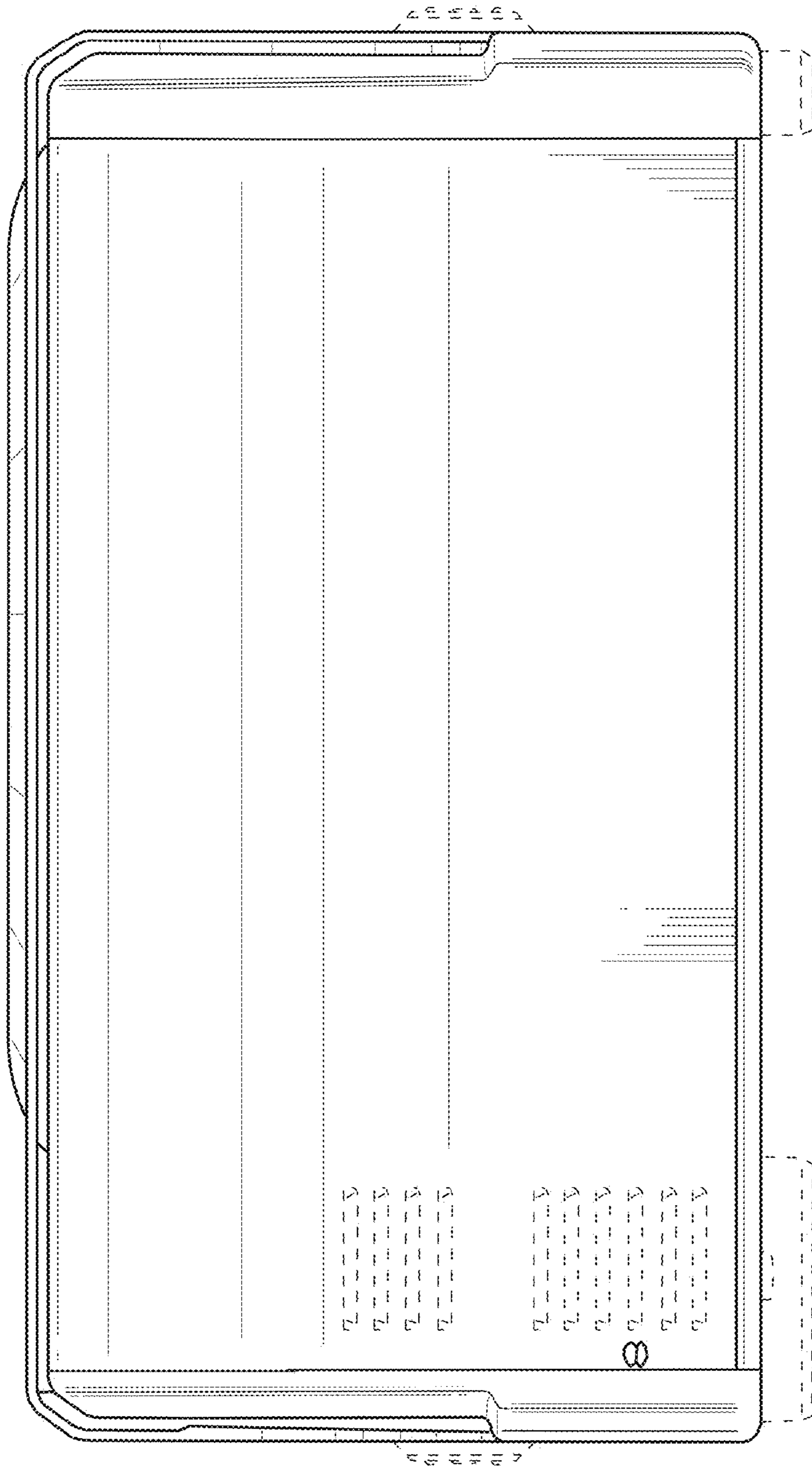


FIG. 3

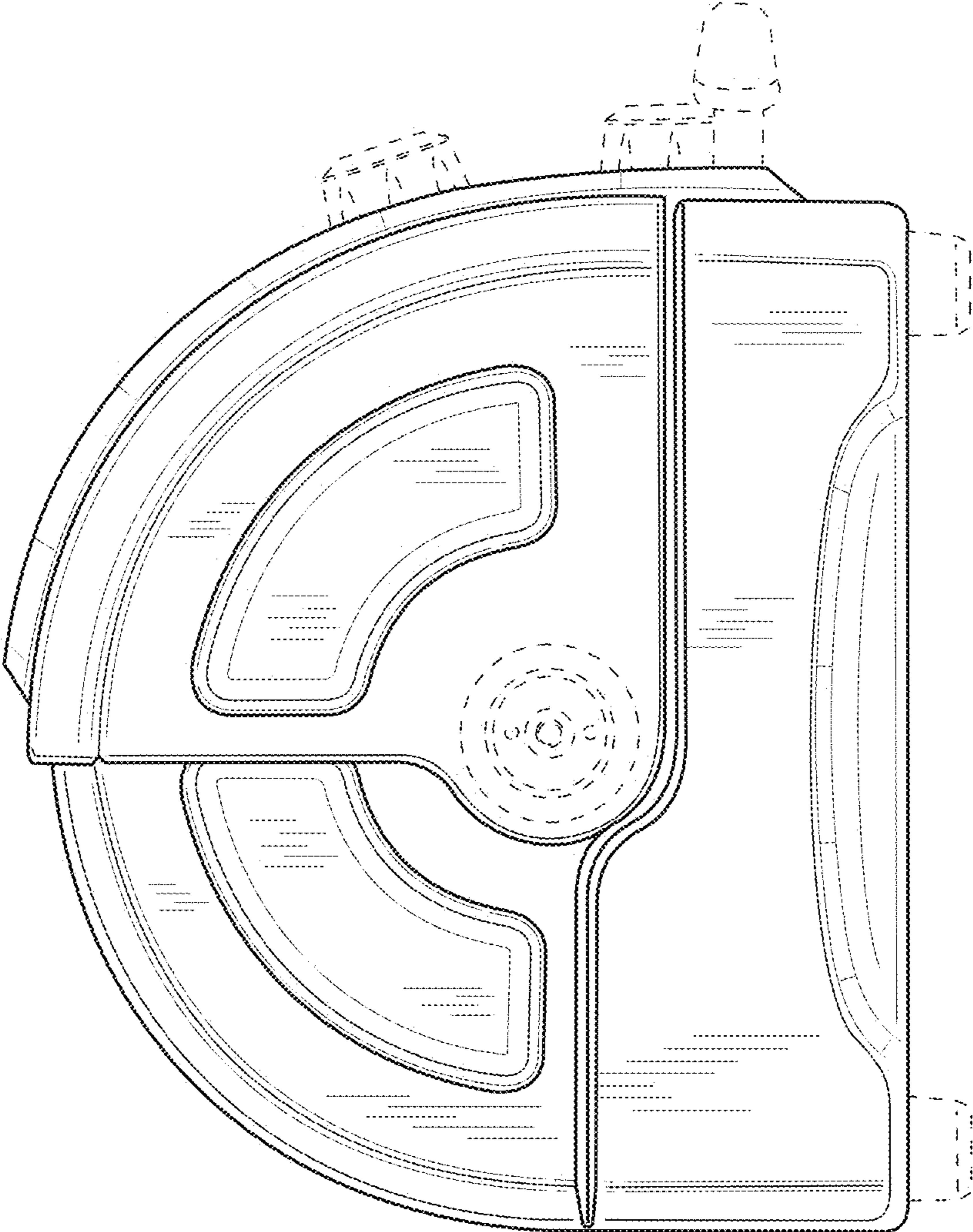


FIG. 4

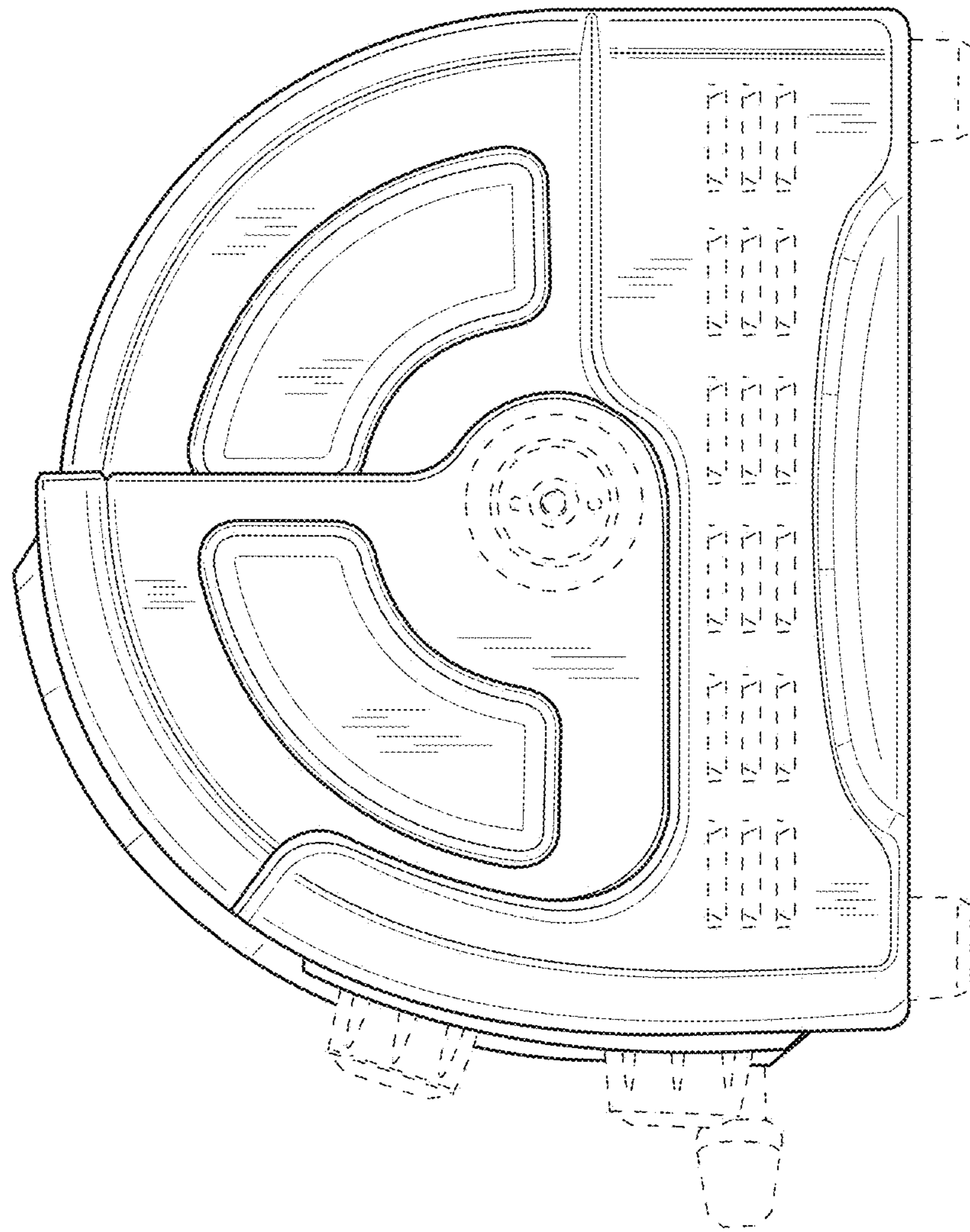


FIG. 5

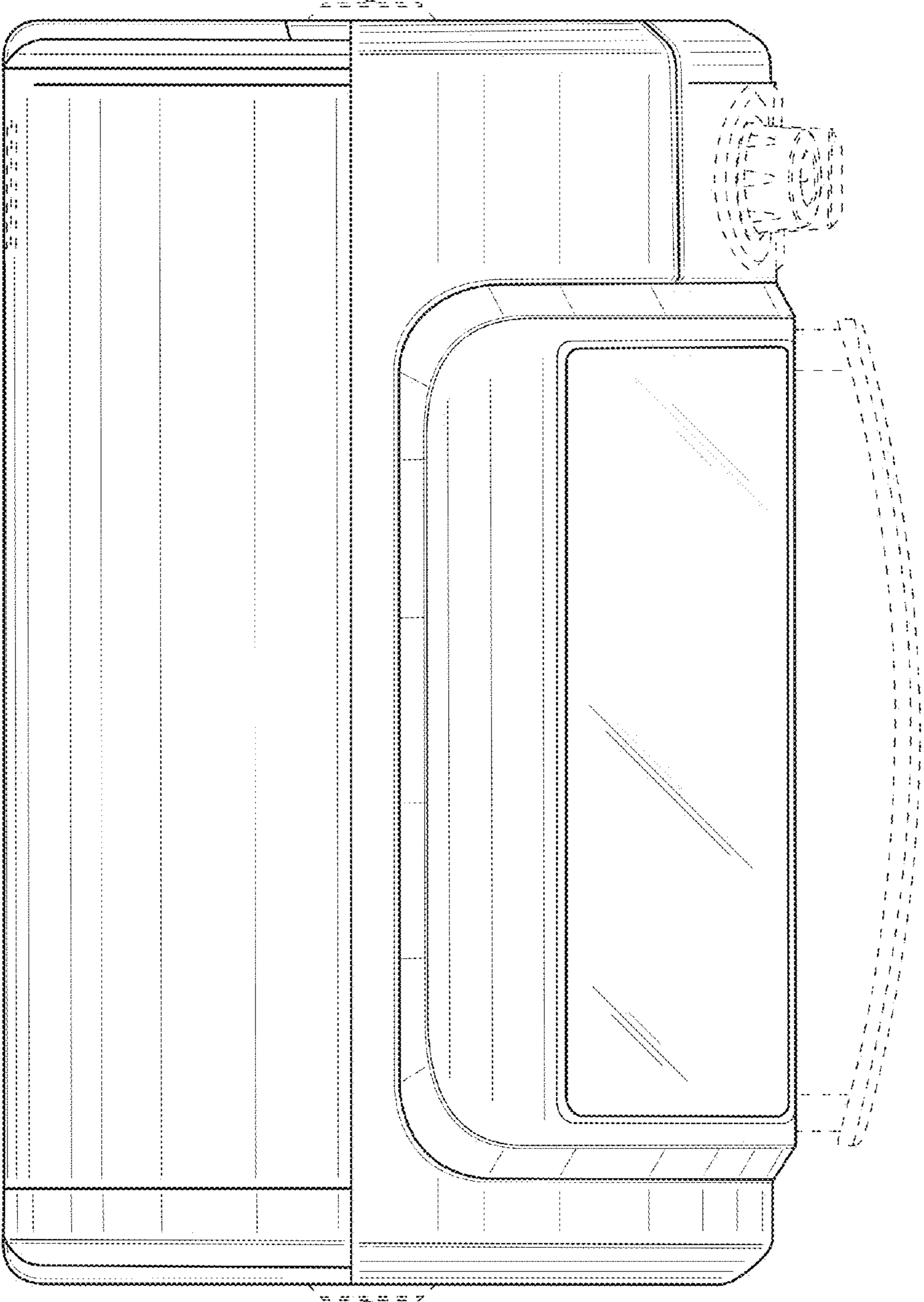


FIG. 6

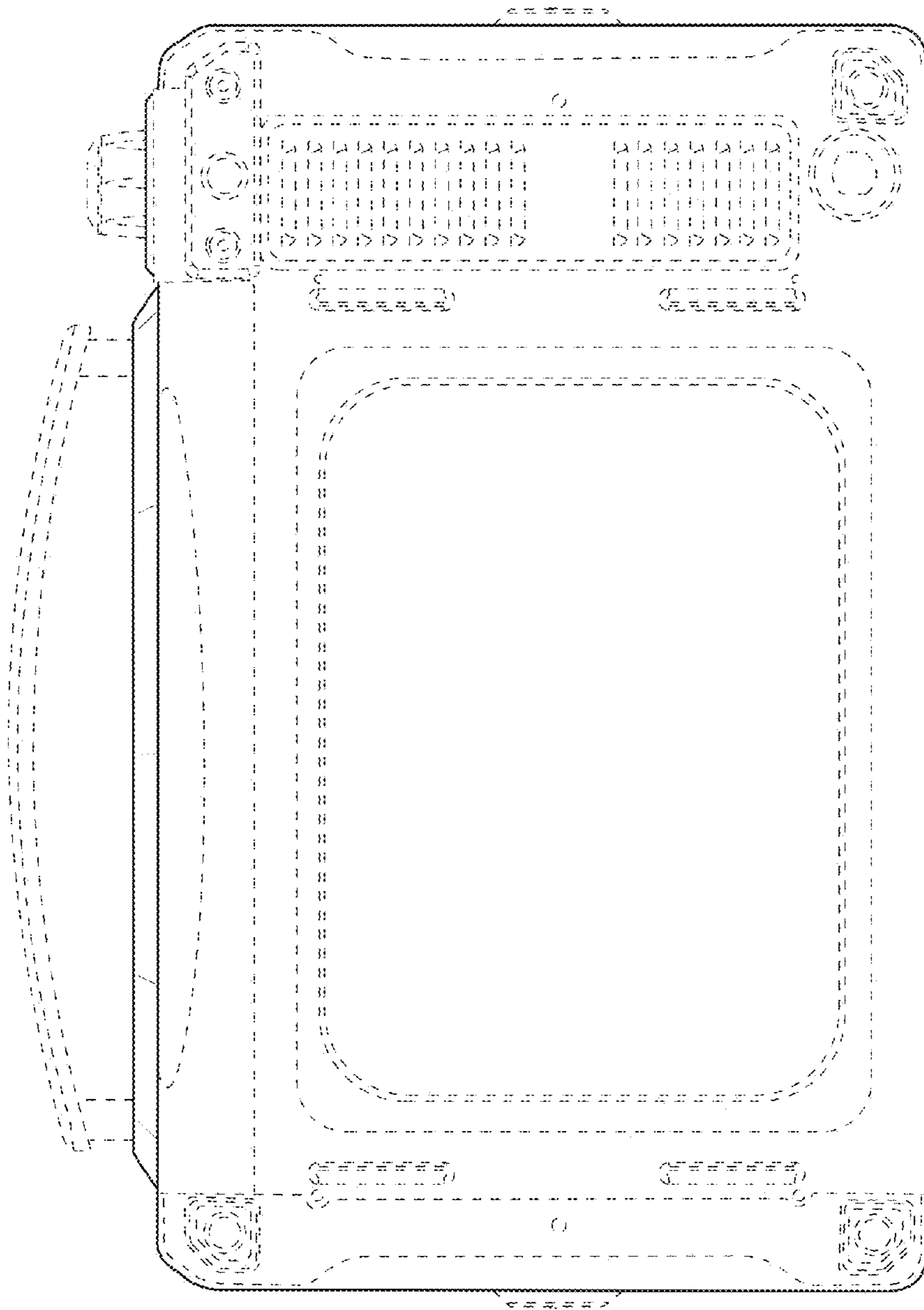


FIG. 7