



US00D703992S

(12) **United States Design Patent**
Yang

(10) **Patent No.:** **US D703,992 S**
(45) **Date of Patent:** **** May 6, 2014**

- (54) **BARBECUE GRILL**
- (71) Applicant: **Hui-Feng Yang**, Taichung (TW)
- (72) Inventor: **Hui-Feng Yang**, Taichung (TW)
- (**) Term: **14 Years**
- (21) Appl. No.: **29/446,321**
- (22) Filed: **Feb. 22, 2013**
- (51) **LOC (10) Cl.** **07-02**
- (52) **U.S. Cl.**
USPC **D7/337**
- (58) **Field of Classification Search**
USPC D7/332, 334-337, 402-405, 407-409;
126/25 R, 25 A, 25 AA, 25 B, 9 R, 9 B,
126/41 R, 37 R, 40, 50; D6/574
See application file for complete search history.

- D580,210 S * 11/2008 Chen D7/337
- D600,968 S * 9/2009 Chung D7/337
- 7,775,202 B2 * 8/2010 Chen 126/25 R
- D631,686 S * 2/2011 Tiller et al. D7/337

* cited by examiner

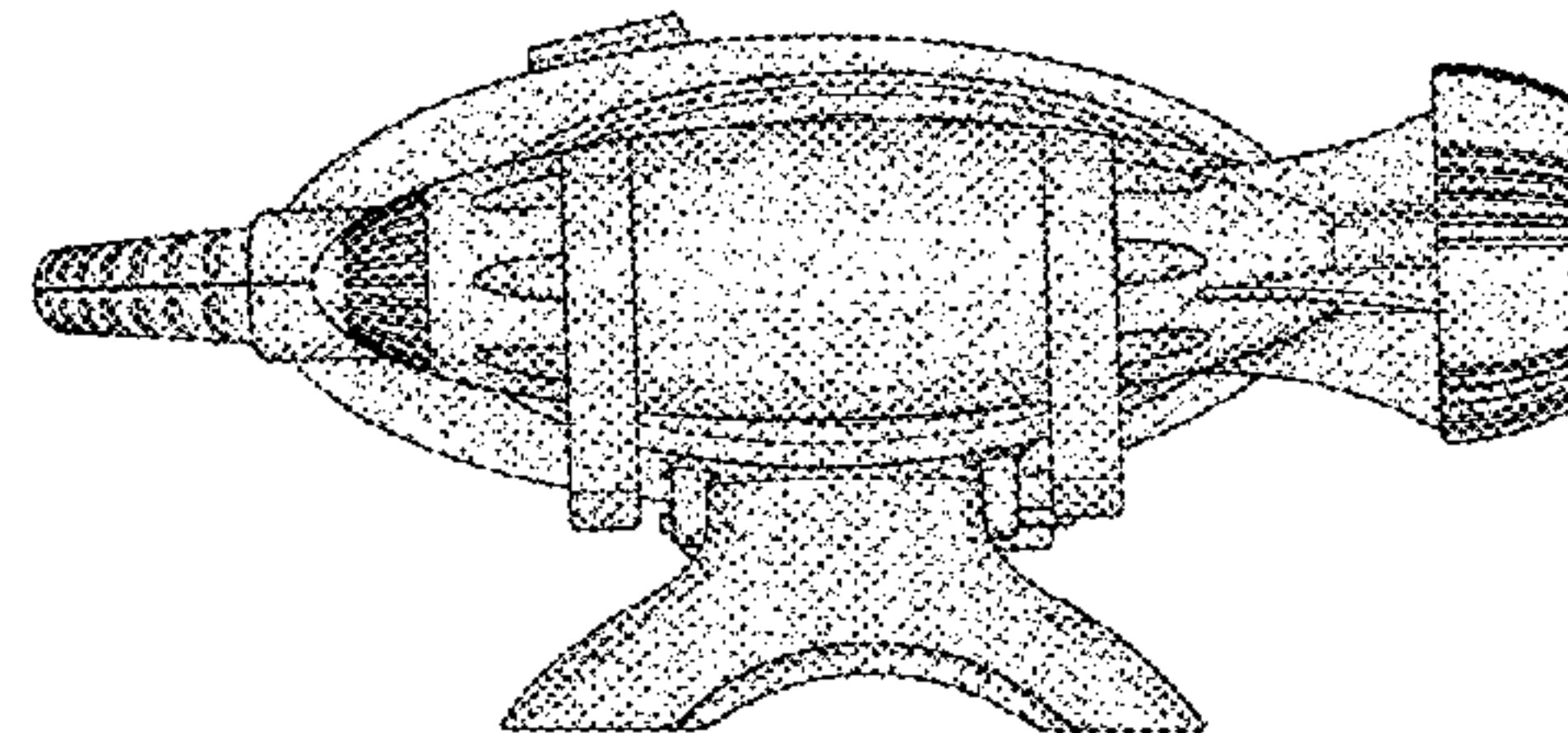
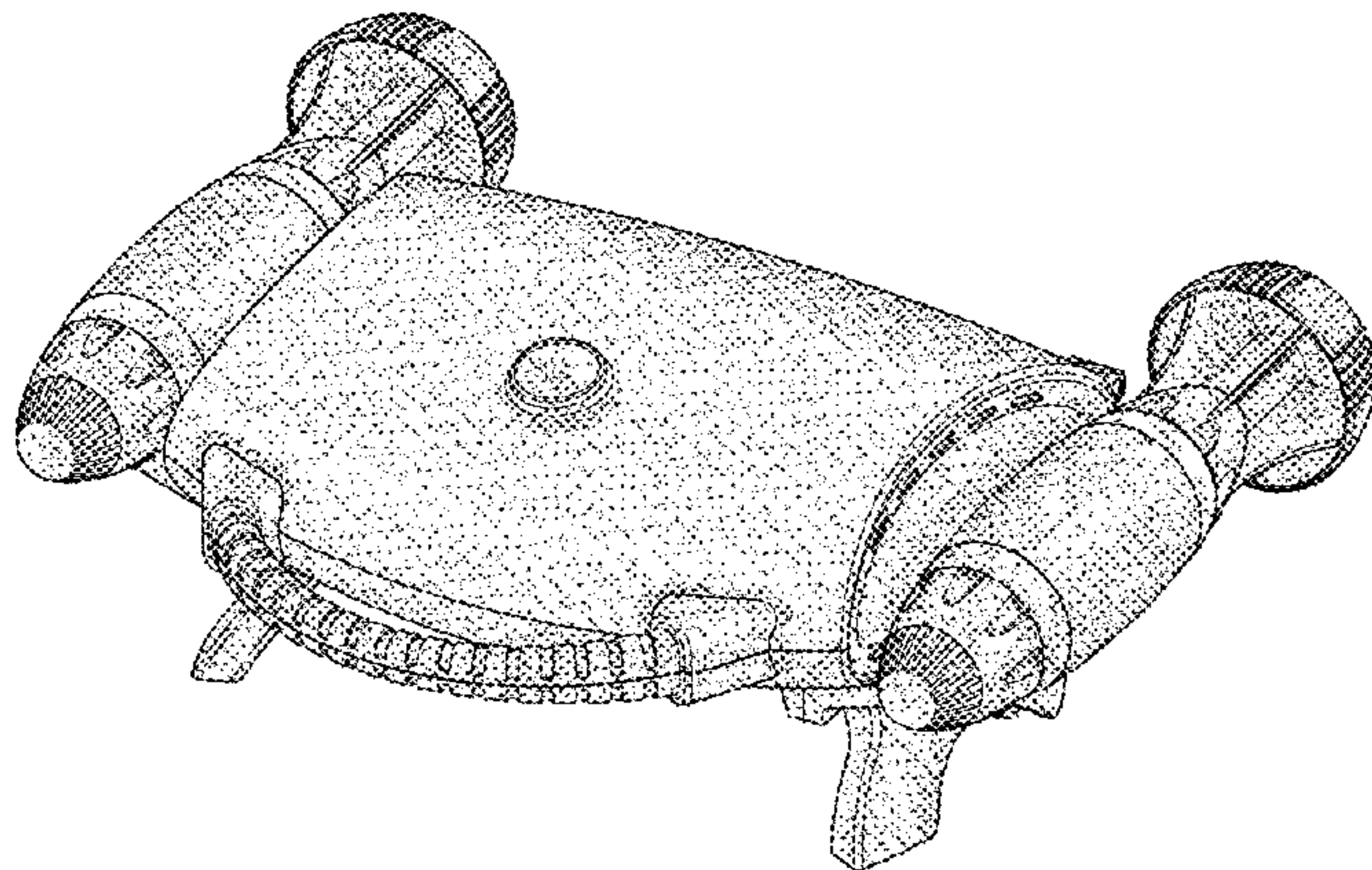
Primary Examiner — Ruth McInroy
(74) *Attorney, Agent, or Firm* — Egbert Law Offices, PLLC

- (56) **References Cited**
U.S. PATENT DOCUMENTS
D464,843 S * 10/2002 Schulte et al. D7/337
D478,772 S * 8/2003 Chung D7/337

(57) **CLAIM**
The ornamental design for a barbecue grill, as shown and described.

DESCRIPTION
FIG. 1 is a top, front and right-side perspective view of a barbecue grill showing my new design;
FIG. 2 is a front elevation view thereof;
FIG. 3 is back elevation view thereof;
FIG. 4 is a left side elevation view thereof;
FIG. 5 is a right side elevation view thereof; and,
FIG. 6 is a top plan view thereof.

1 Claim, 6 Drawing Sheets



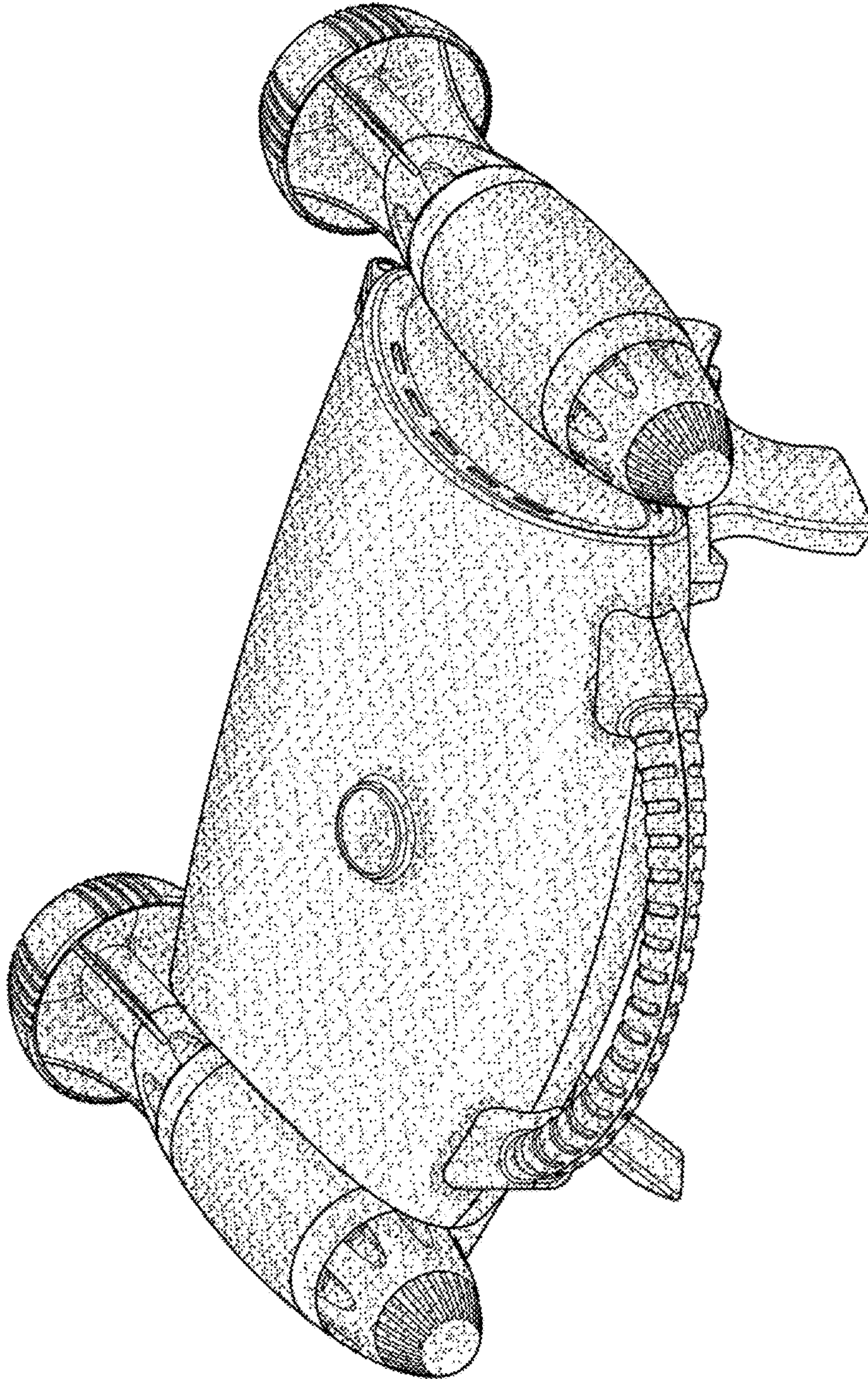


FIG. 1

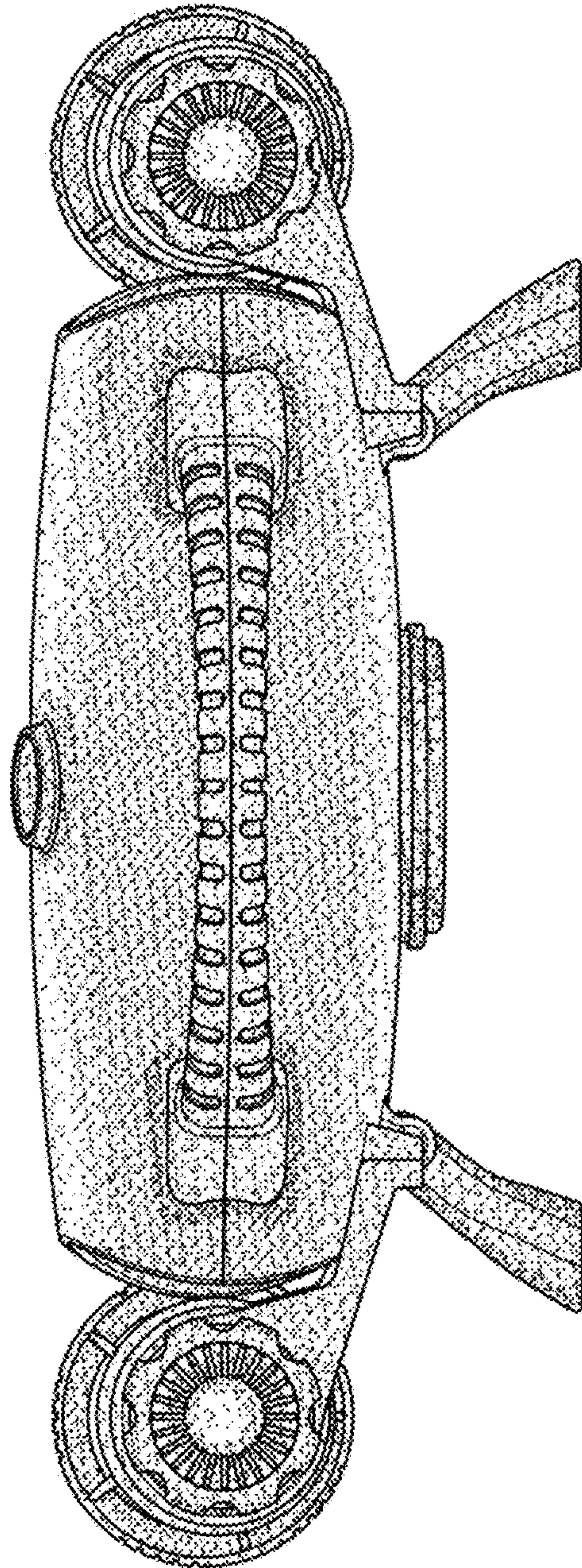


FIG.2

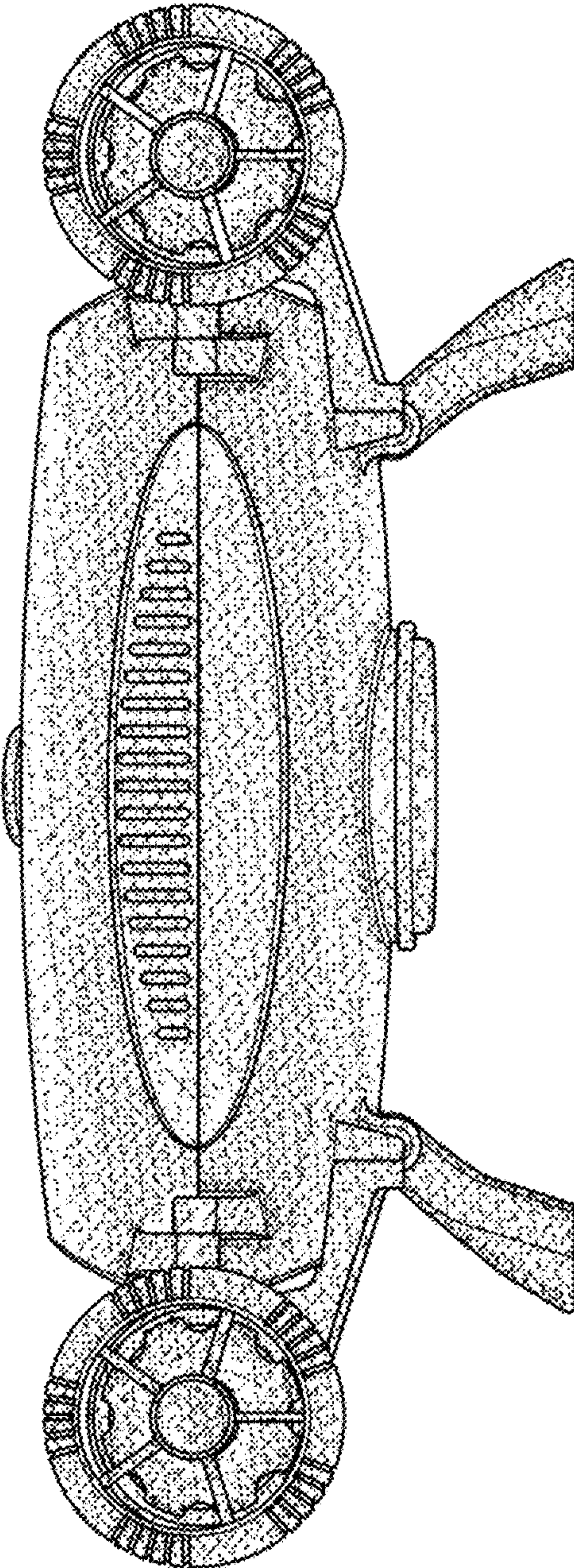


FIG.3

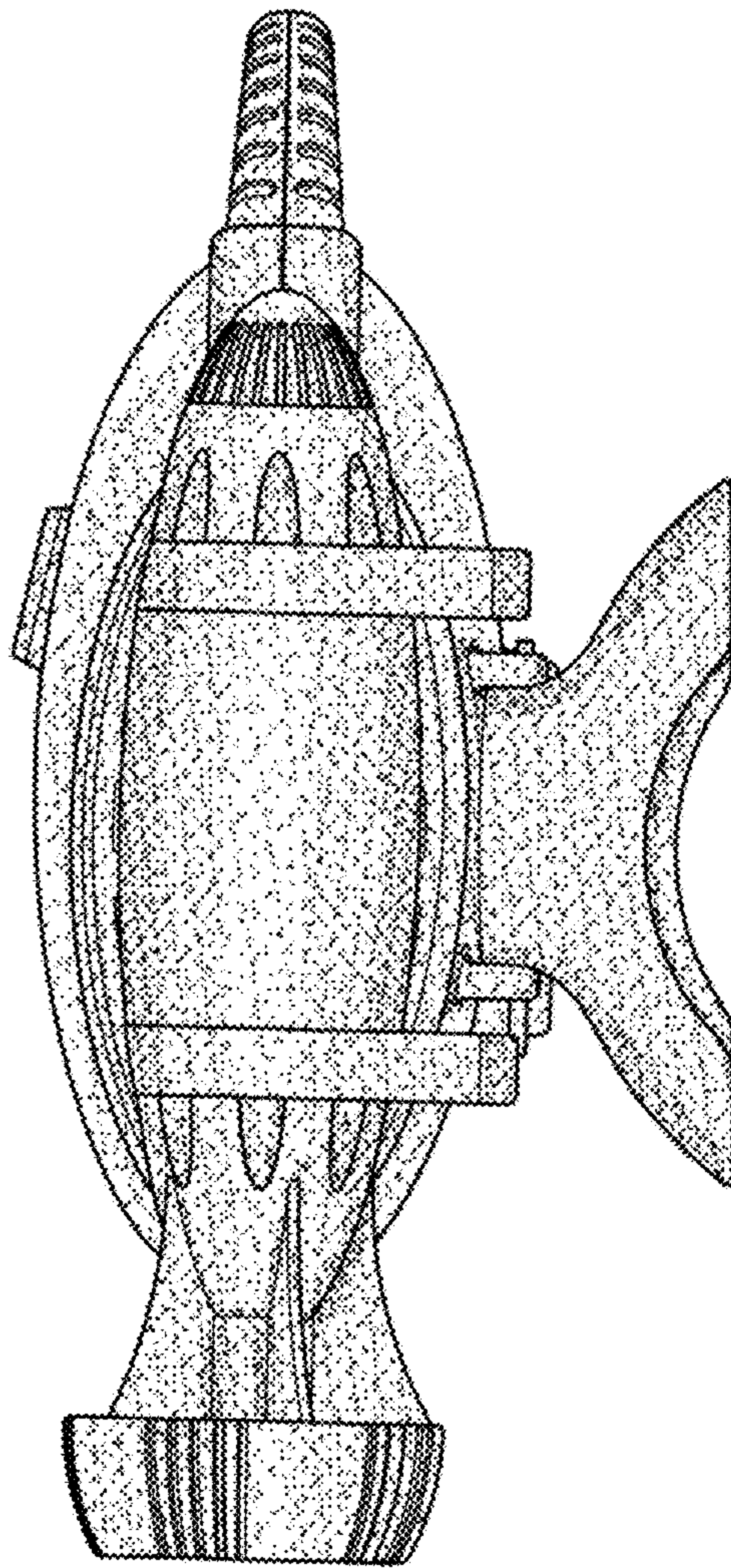


FIG.4

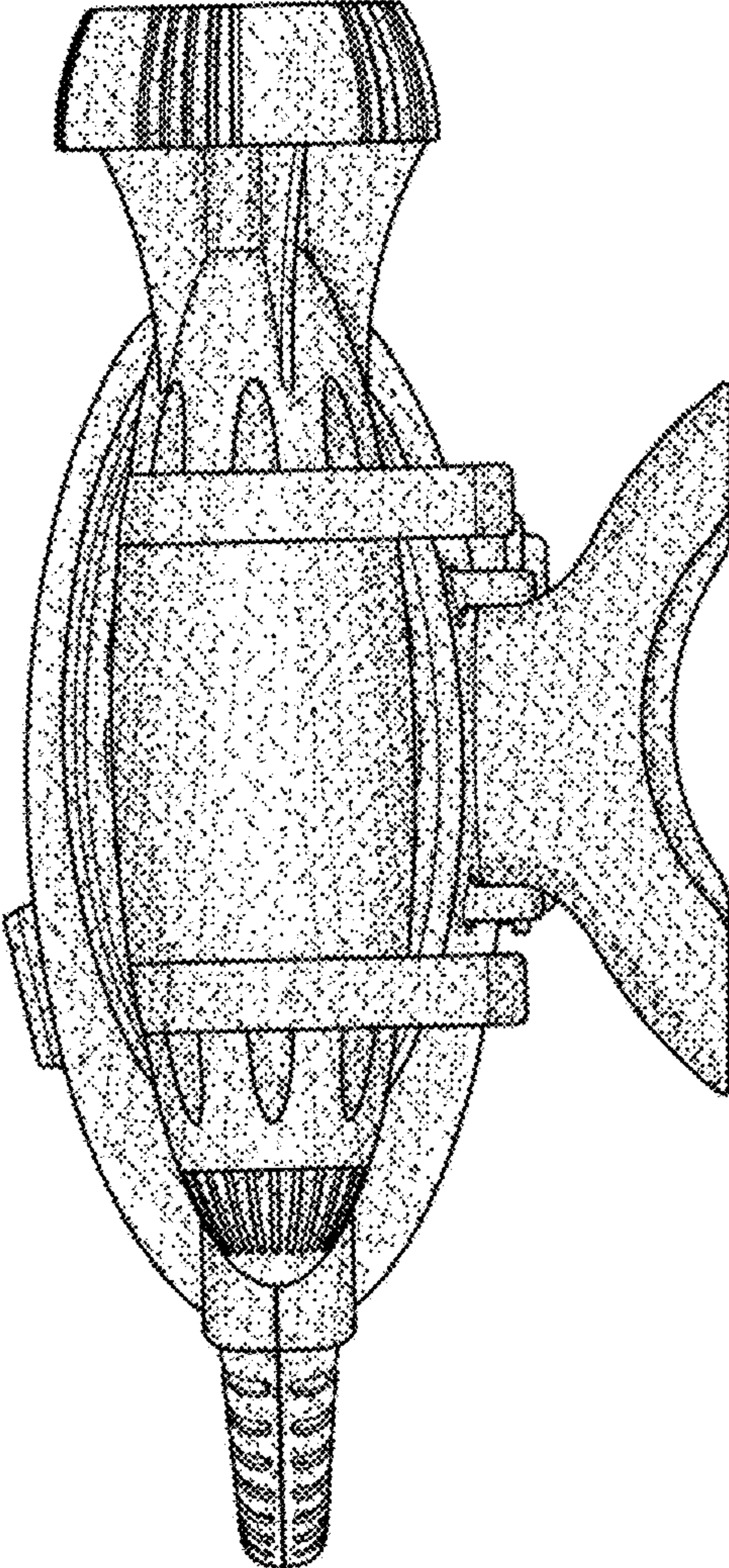


FIG. 5

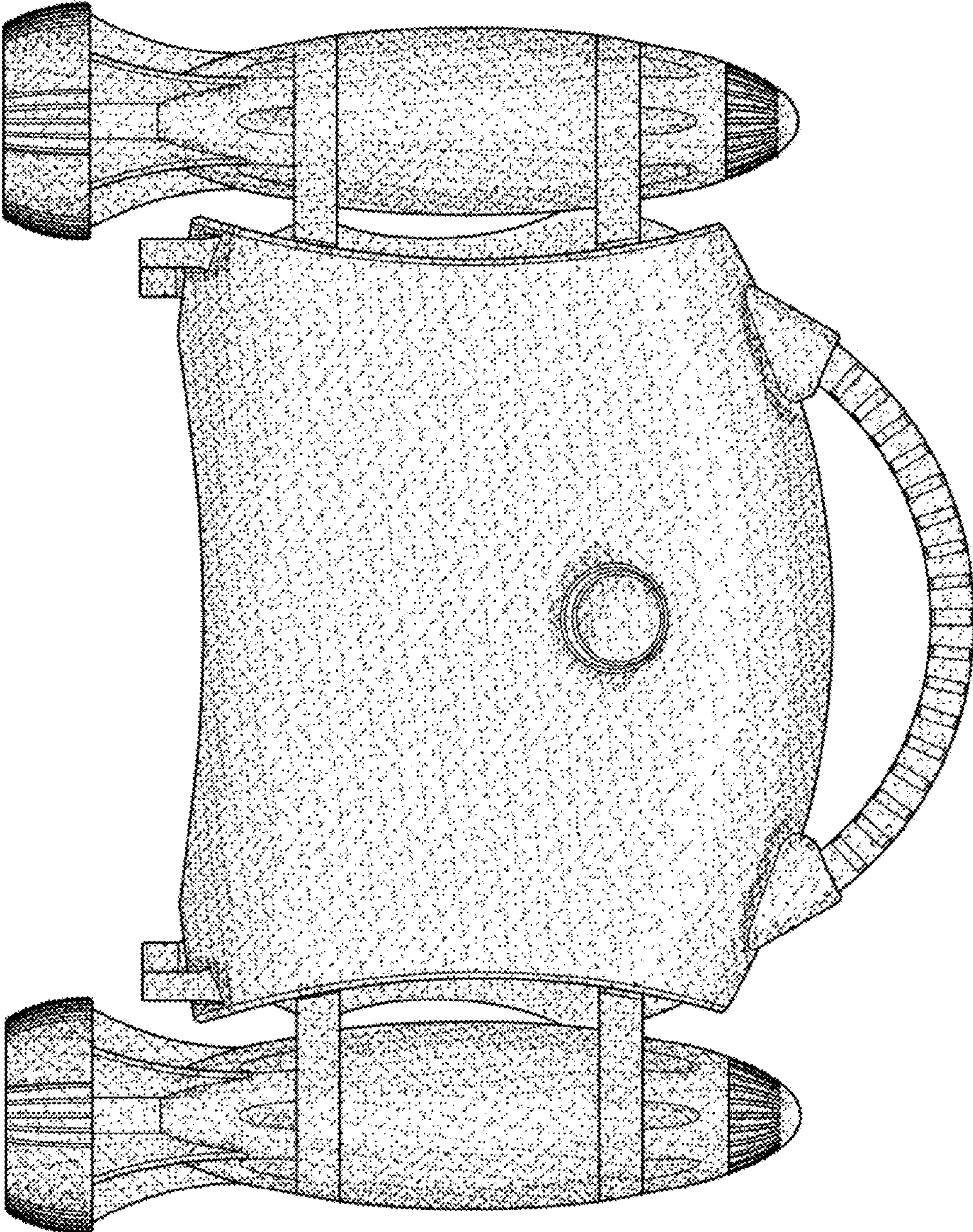


FIG.6