



US00D703991S

(12) **United States Design Patent**
Porat et al.

(10) **Patent No.:** **US D703,991 S**

(45) **Date of Patent:** **** May 6, 2014**

(54) **WATER DISPENSER**

(56) **References Cited**

(71) Applicants: **Amit Porat**, Tel-Aviv (IL); **Omer Kotzer**, Tel-Aviv (IL); **Yoav Dracher**, Givataym (IL); **Avner Sadot**, Tel Aviv (IL)

U.S. PATENT DOCUMENTS

D571,598	S	*	6/2008	Moore	D7/306
7,470,364	B2	*	12/2008	Oranski et al.	210/198.1
7,645,381	B2	*	1/2010	Oranski et al.	210/198.1
7,703,382	B2	*	4/2010	Oranski et al.	99/295
D642,850	S	*	8/2011	Yui	D7/307
7,987,769	B2	*	8/2011	Oranski et al.	99/295
D660,071	S	*	5/2012	Berlencourt	D7/309
D667,674	S	*	9/2012	Wilder et al.	D7/306
D674,231	S	*	1/2013	Wilder et al.	D7/306
D674,240	S	*	1/2013	Wilder et al.	D7/399
D677,509	S	*	3/2013	Wang	D7/306

(72) Inventors: **Amit Porat**, Tel-Aviv (IL); **Omer Kotzer**, Tel-Aviv (IL); **Yoav Dracher**, Givataym (IL); **Avner Sadot**, Tel Aviv (IL)

* cited by examiner

(73) Assignee: **Eden Springs (Europe) S.A.**, Preverenges (CH)

Primary Examiner — Marianne Pandozzi

(**) Term: **14 Years**

(74) *Attorney, Agent, or Firm* — Eitan, Mehulal & Sadot

(21) Appl. No.: **29/437,558**

(57) **CLAIM**

The ornamental design for a water dispenser, as shown and described.

(22) Filed: **Nov. 19, 2012**

DESCRIPTION

(30) **Foreign Application Priority Data**

Sep. 13, 2012 (CH) 139203

(51) **LOC (10) Cl.** **07-01**

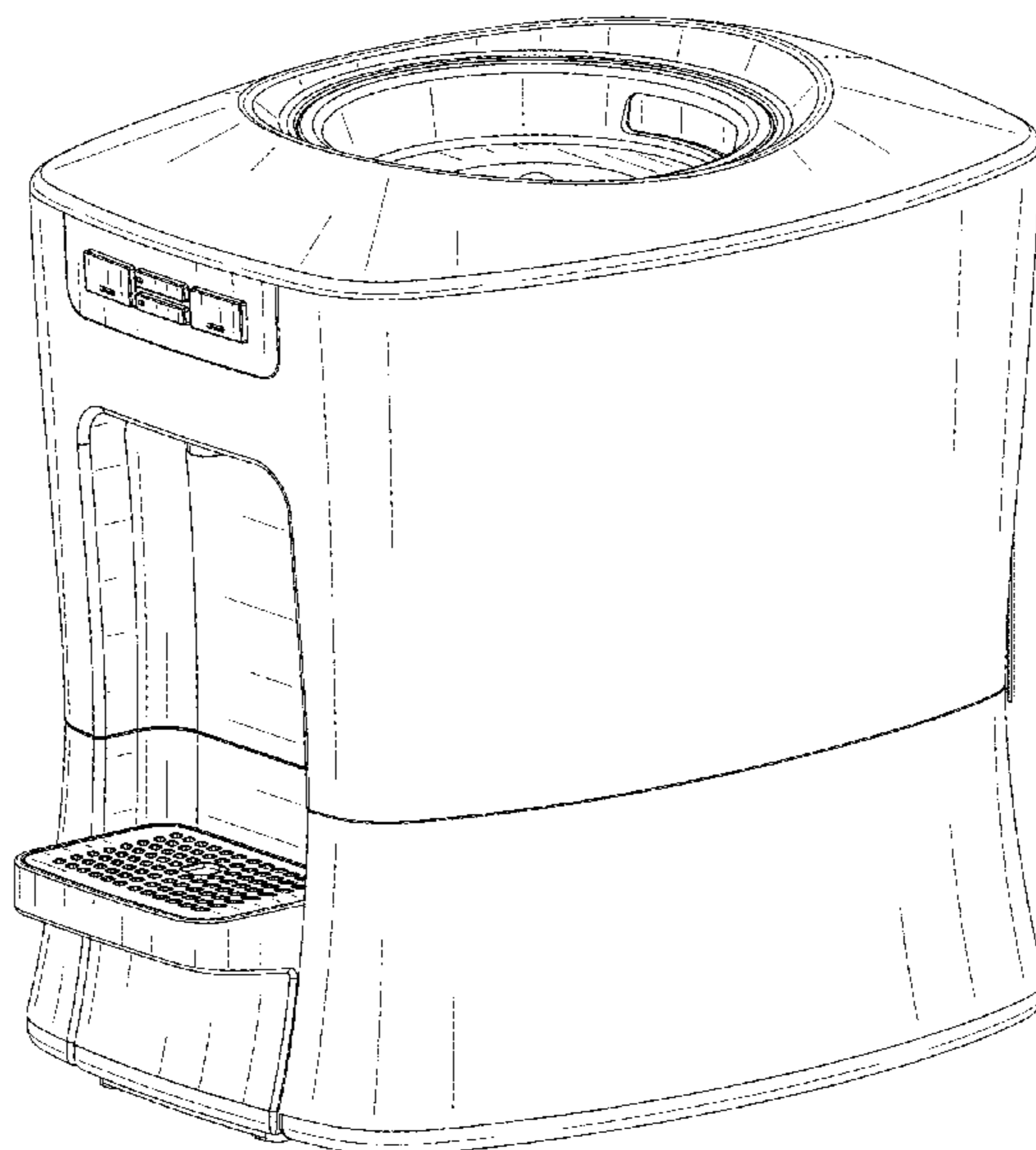
(52) **U.S. Cl.**
USPC **D7/306; D7/311**

(58) **Field of Classification Search**
USPC D7/306, 309-311, 300, 313, 301, 307, D7/308, 305, 589, 397; 99/323.2, 284, 99/279, 302, 294, 290, 295; 222/146.6, 222/185.1, 683, 1; 62/3.63; D23/207; 210/198.1, 388

FIG. 1 is a perspective view of the water dispenser showing our new ornamental design;
FIG. 2 is a front view of the water dispenser showing our new ornamental design;
FIG. 3 is a rear view of the water dispenser showing our new ornamental design;
FIG. 4 is a left side view of the water dispenser showing our new ornamental design;
FIG. 5 is a right side view of the water dispenser showing our new ornamental design;
FIG. 6 is a top view of the water dispenser showing our new ornamental design; and,
FIG. 7 is a bottom view of the water dispenser showing our new ornamental design.
Portions of the claimed design shown in broken lines form no part of the claimed design.

See application file for complete search history.

1 Claim, 7 Drawing Sheets



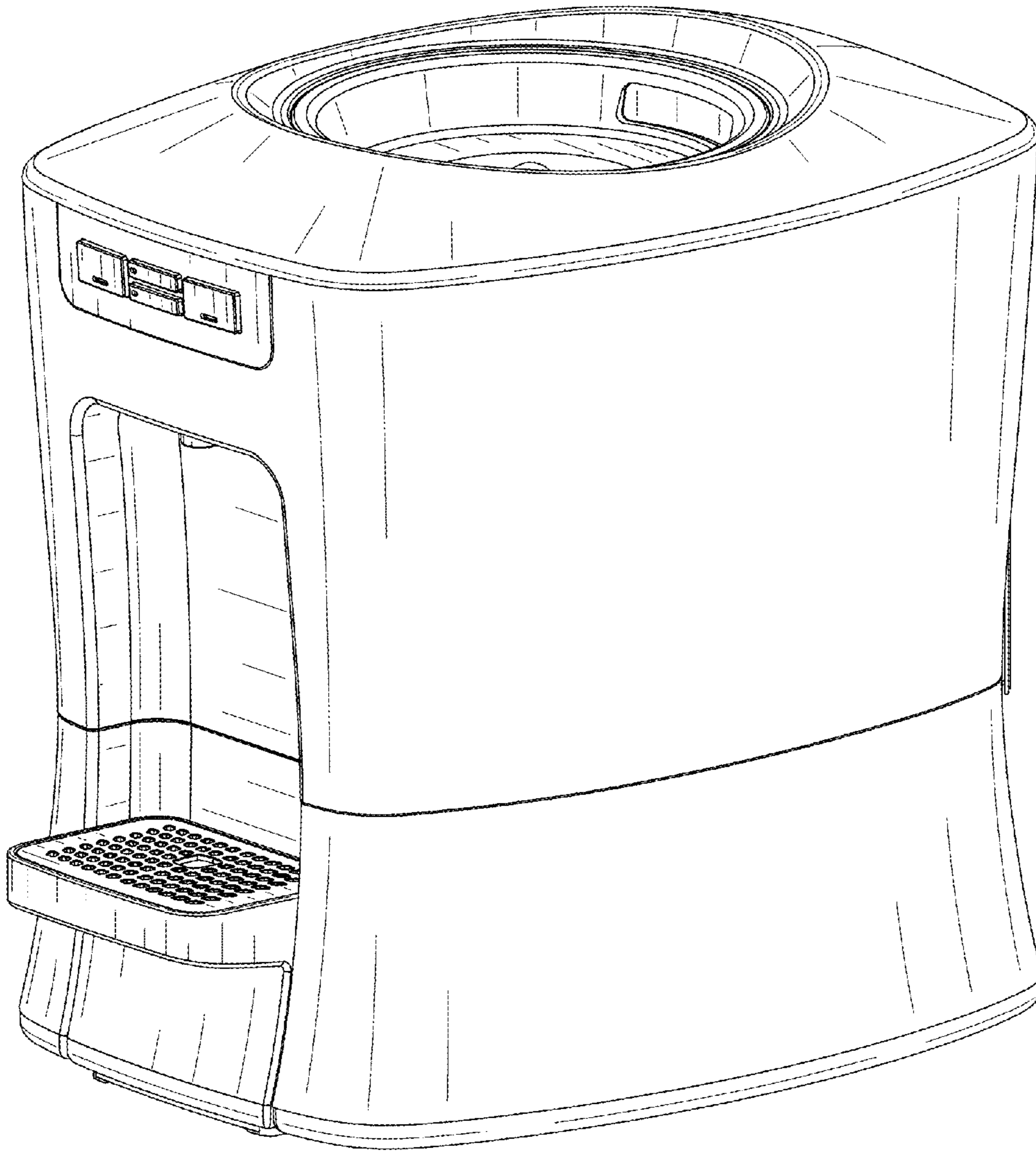


FIG.1

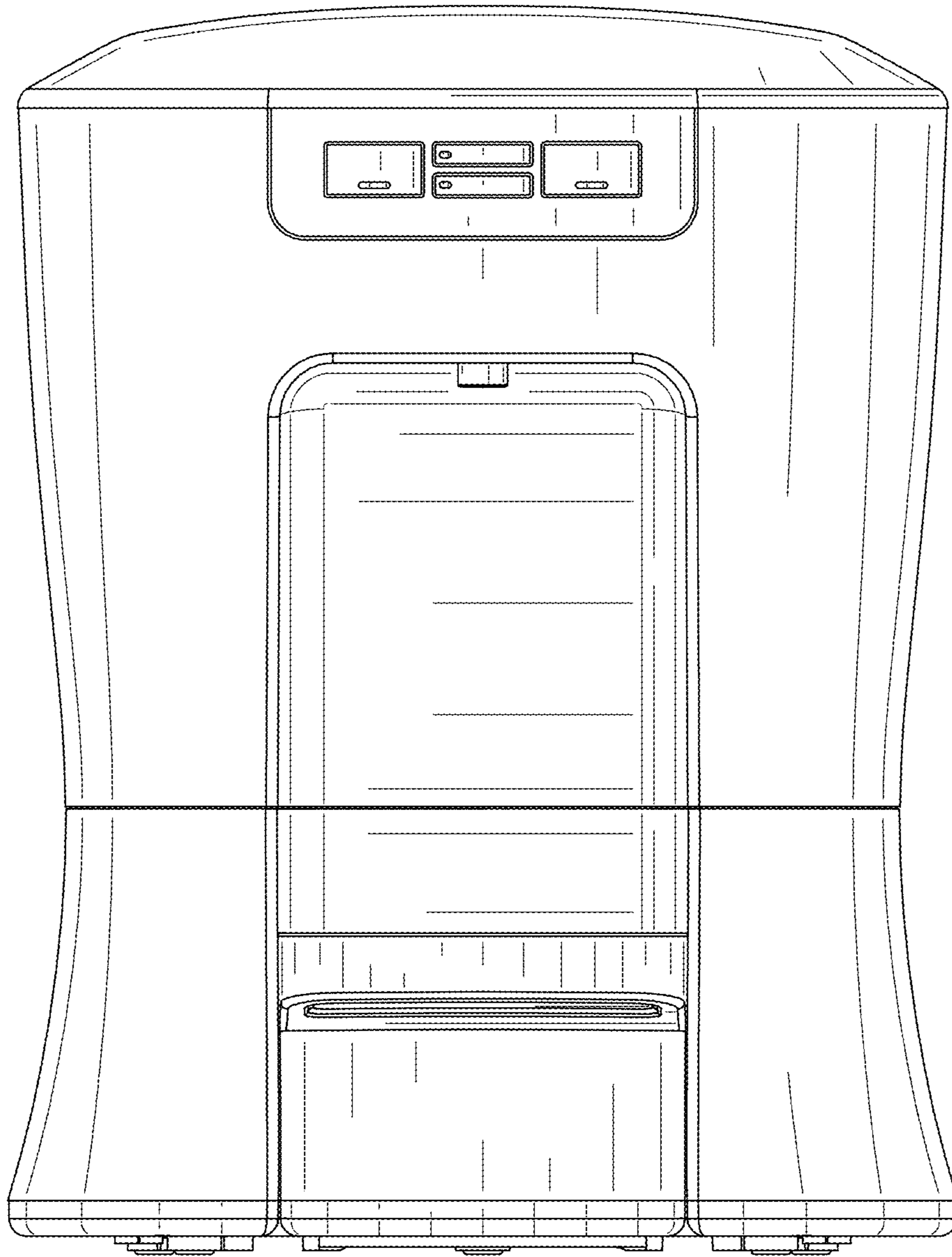


FIG. 2

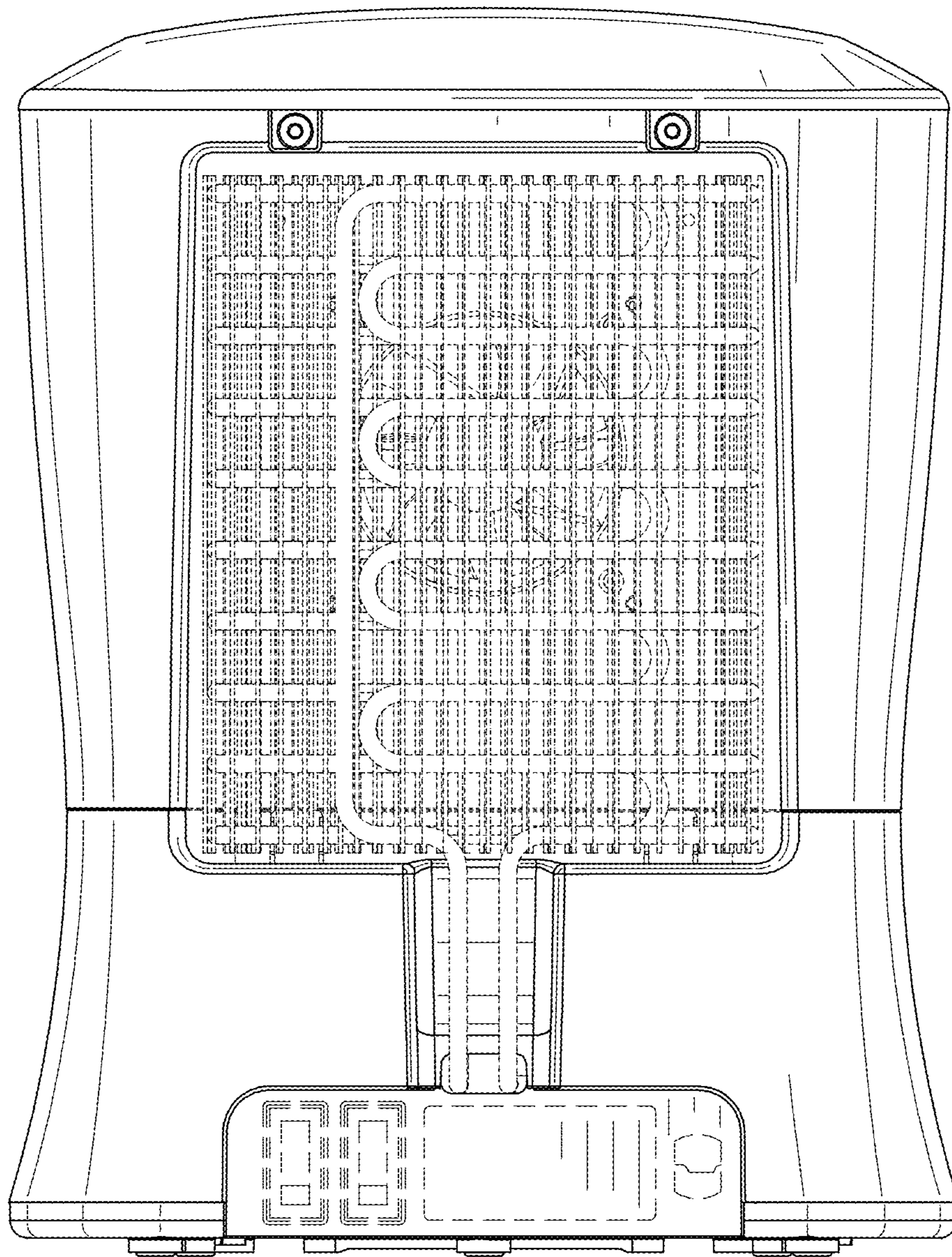


FIG. 3

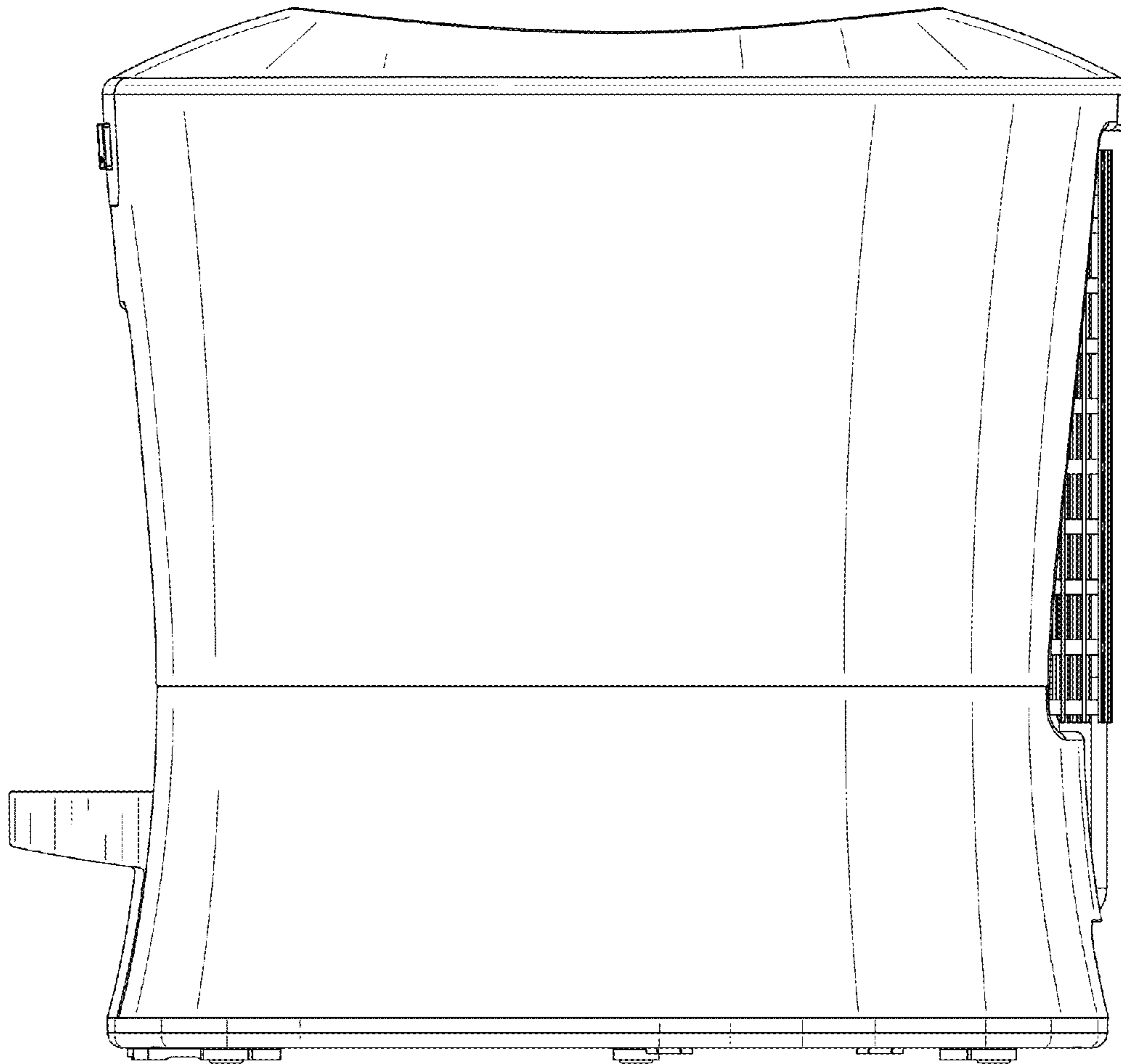


FIG.4

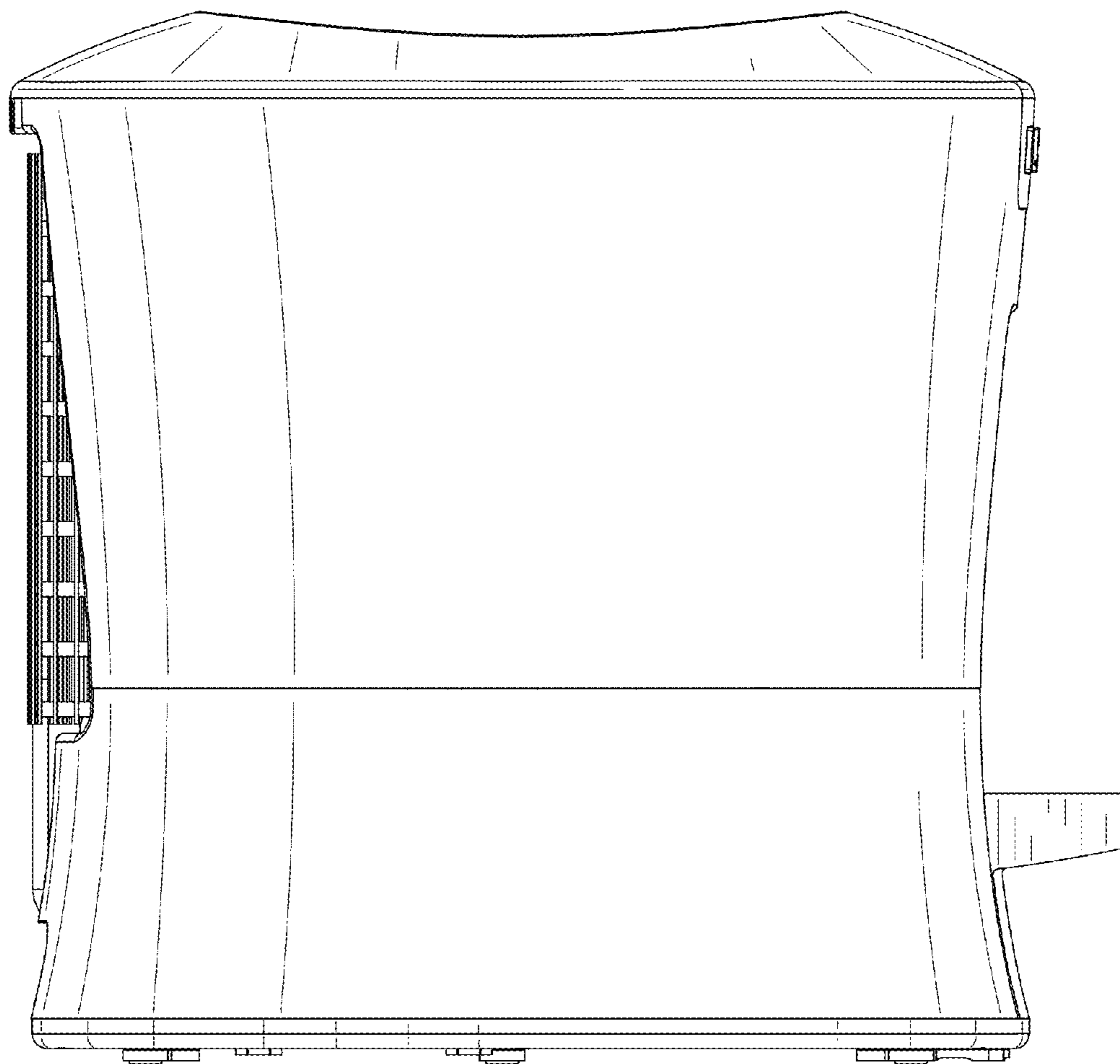


FIG. 5

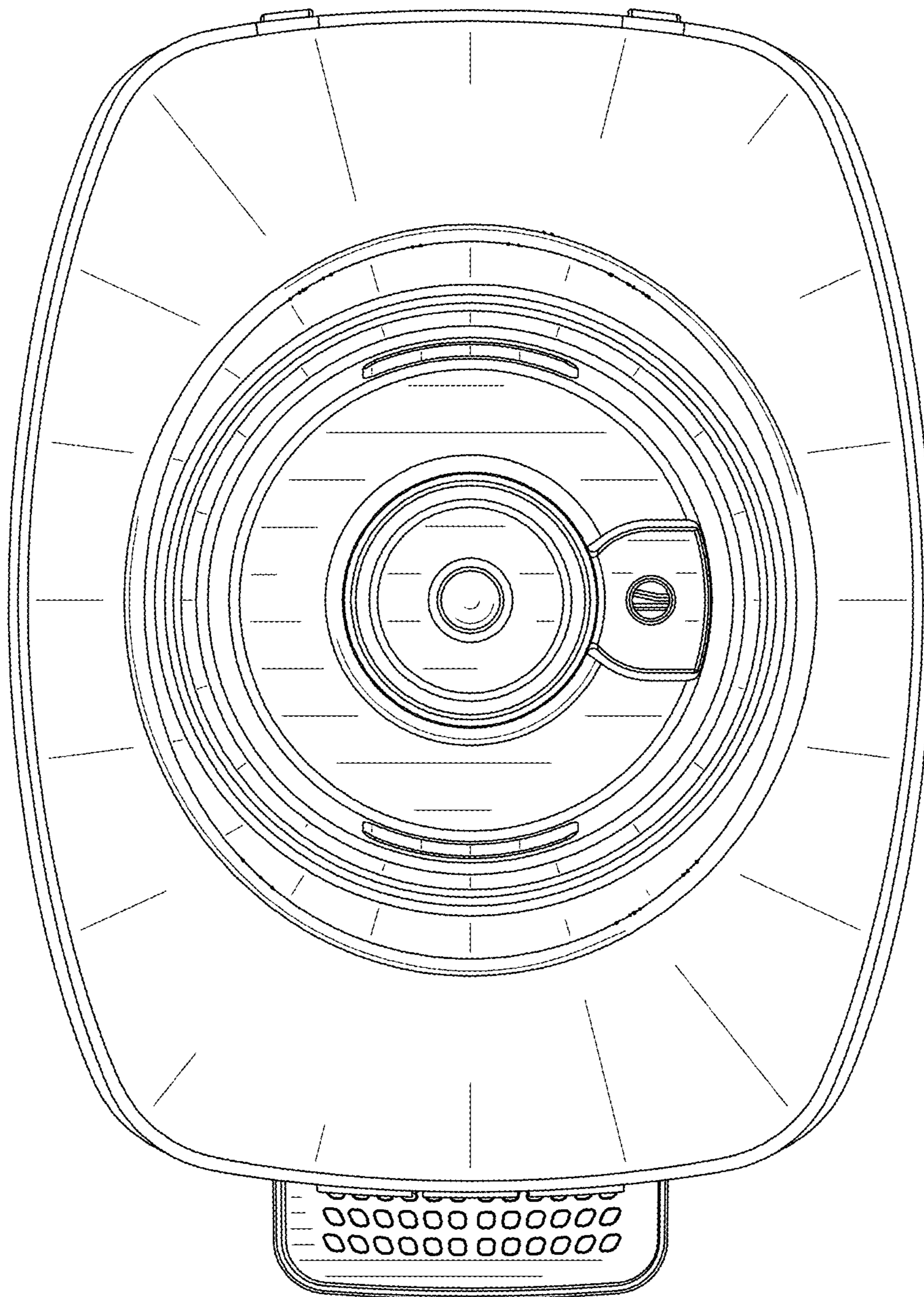


FIG. 6

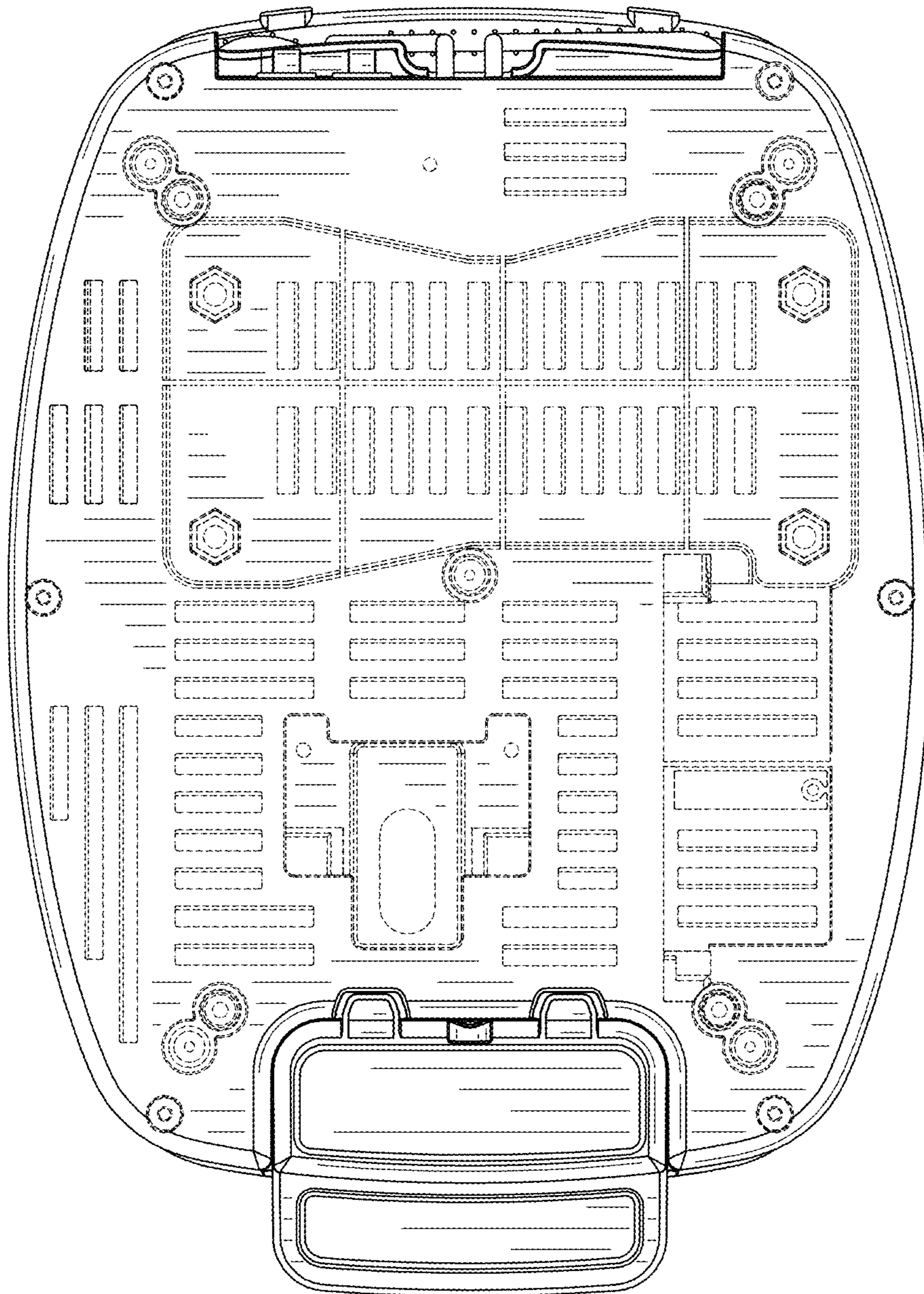


FIG. 7