



US00D703990S

(12) **United States Design Patent**
Henderson

(10) **Patent No.:** **US D703,990 S**

(45) **Date of Patent:** **** *May 6, 2014**

(54) **BEVERAGE DISPENSER FOR ALCOHOLIC BEVERAGES**

(76) Inventor: **Jeffrey D Henderson**, Dover, NH (US)

(*) Notice: This patent is subject to a terminal disclaimer.

(**) Term: **14 Years**

(21) Appl. No.: **29/428,722**

(22) Filed: **Aug. 2, 2012**

(51) **LOC (10) Cl.** **07-01**

(52) **U.S. Cl.**
USPC **D7/306; D7/313**

(58) **Field of Classification Search**
USPC D7/306, 309-311, 300, 313, 301, 307,
D7/308, 305, 589, 397; 99/323.2, 284,
99/279, 302, 294, 290, 295; 222/146.6,
222/185.1, 683, 1; 62/3.63
See application file for complete search history.

(56) **References Cited**

U.S. PATENT DOCUMENTS

D181,039 S *	9/1957	Brown	D7/313
D186,237 S *	9/1959	Lax	D7/300
D186,725 S *	11/1959	Kelley	D6/515

D262,711 S *	1/1982	Cox et al.	D7/313
5,513,495 A *	5/1996	West et al.	62/3.63
5,560,211 A *	10/1996	Parker	62/3.63
D429,943 S *	8/2000	Yu	D7/306
D442,009 S *	5/2001	Schwarzli	D7/306
D463,194 S *	9/2002	Busick et al.	D7/313
6,644,037 B2 *	11/2003	Busick et al.	62/3.64
6,736,298 B2 *	5/2004	Busick et al.	222/638
D503,064 S *	3/2005	Since	D7/309
D597,780 S *	8/2009	Desrochers	D7/306

* cited by examiner

Primary Examiner — Marianne Pandozzi

(74) *Attorney, Agent, or Firm* — Mesmer & Deleault, PLLC

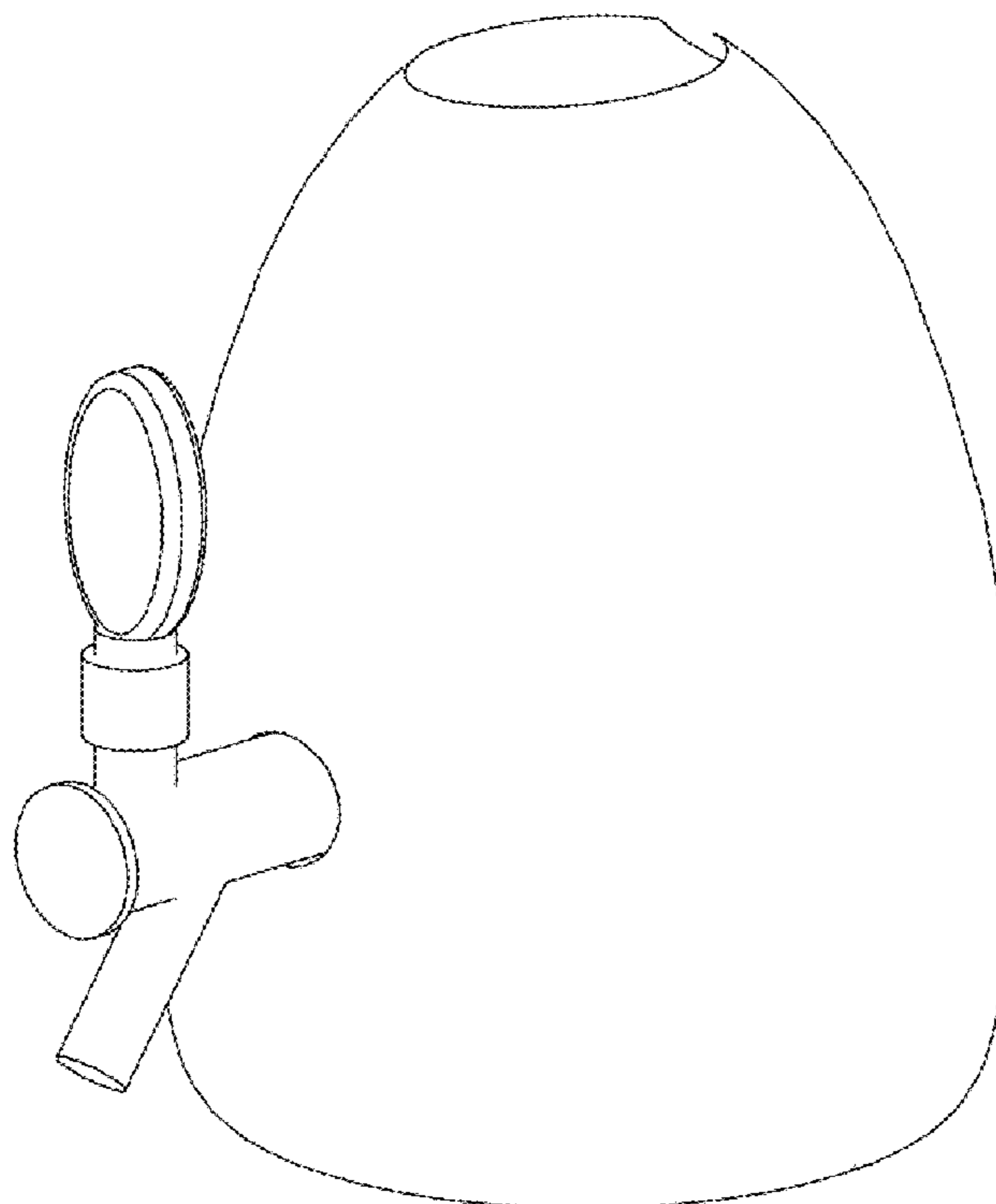
(57) **CLAIM**

I claim the ornamental design for beverage dispenser for alcoholic beverages, as shown and described.

DESCRIPTION

FIG. 1 is a front, left perspective view of a beverage dispenser for alcoholic beverages showing our new design.
FIG. 2 is a front view thereof;
FIG. 3 is a left side view thereof;
FIG. 4 is a top plan view thereof;
FIG. 5 is a rear, left perspective view thereof; and,
FIG. 6 is an environmental front left perspective view thereof. The broken lines in the FIG. 6 drawing are included for the purpose of illustration and form no part of the claimed design.

1 Claim, 1 Drawing Sheet



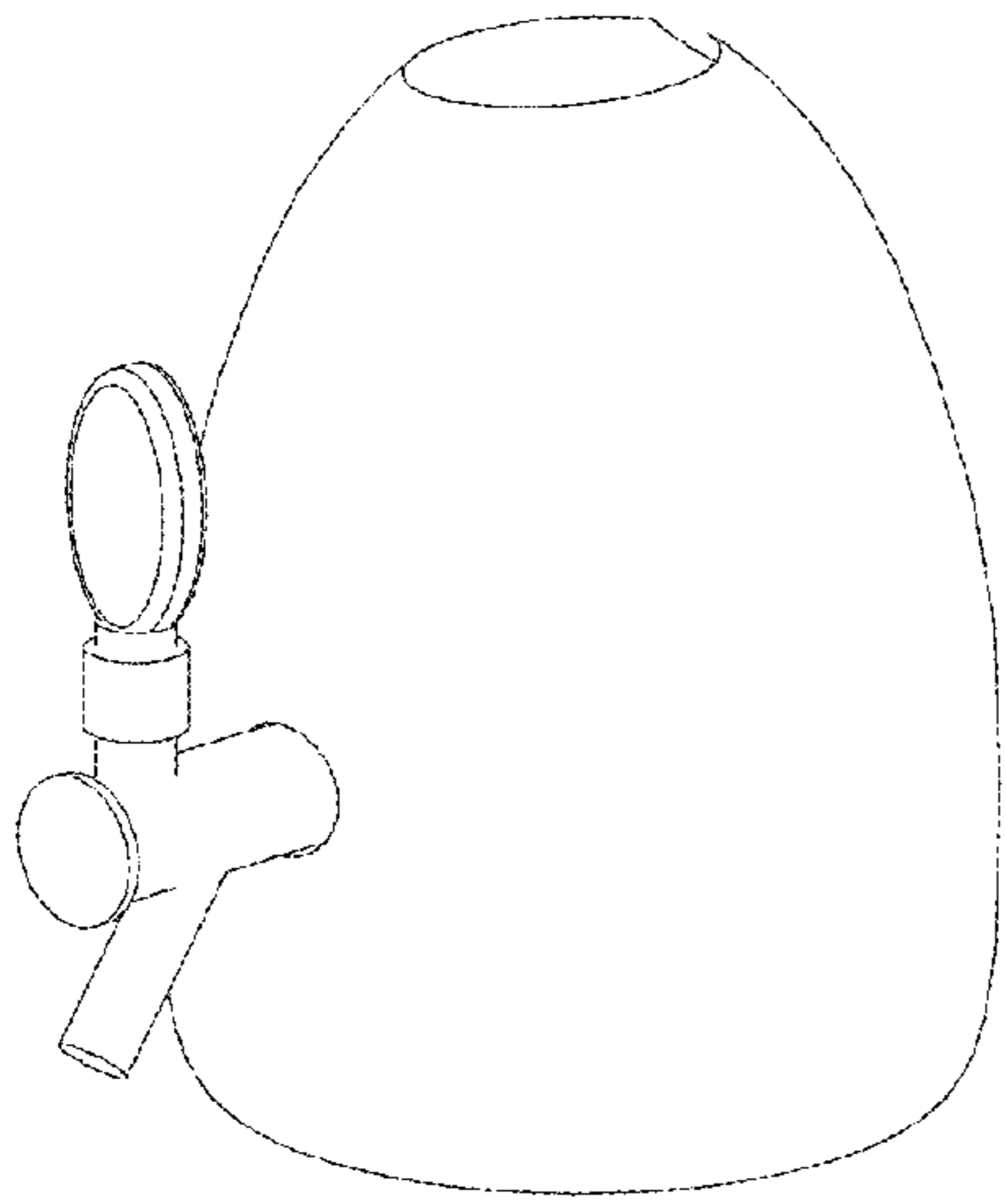


Fig. 1

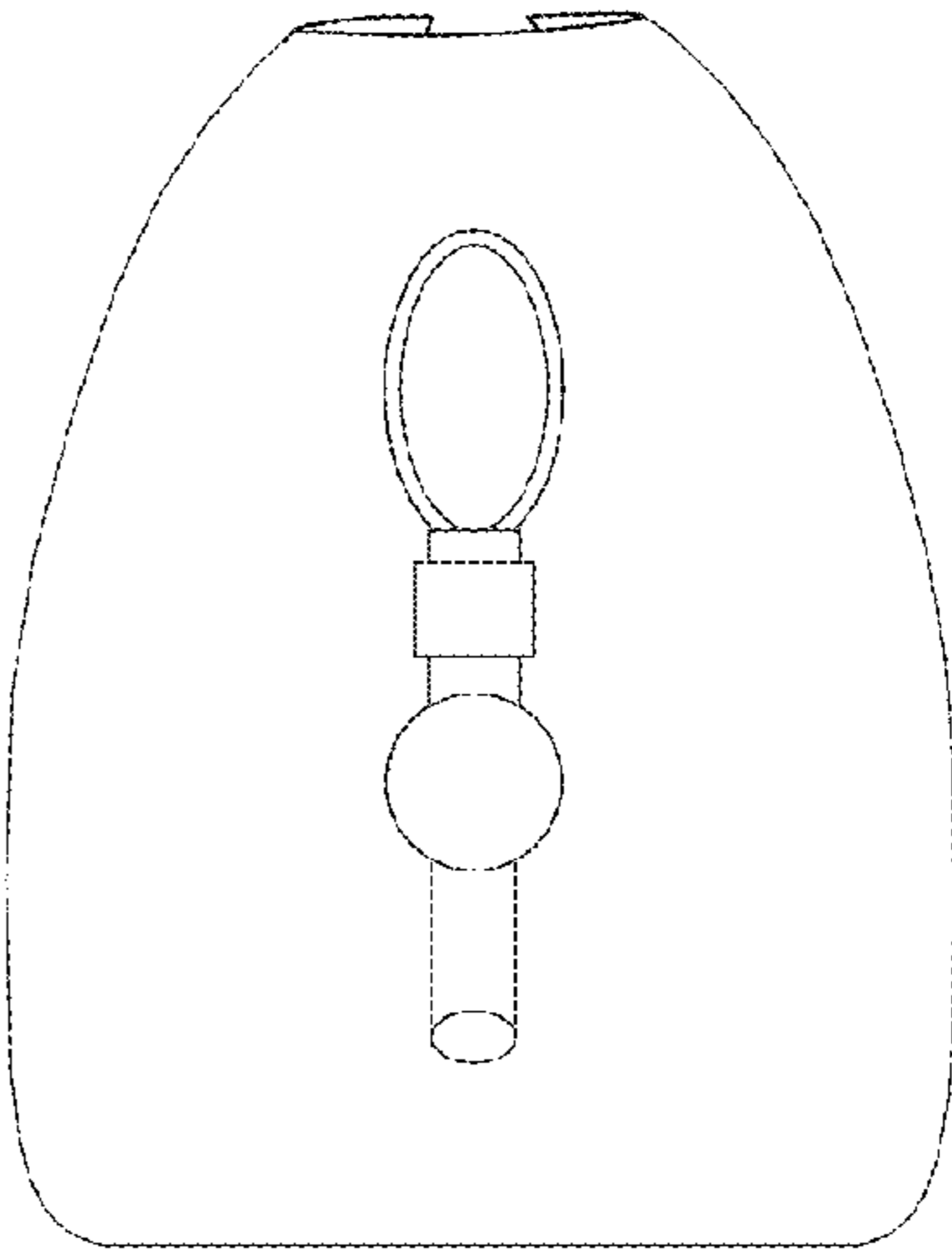


Fig. 2

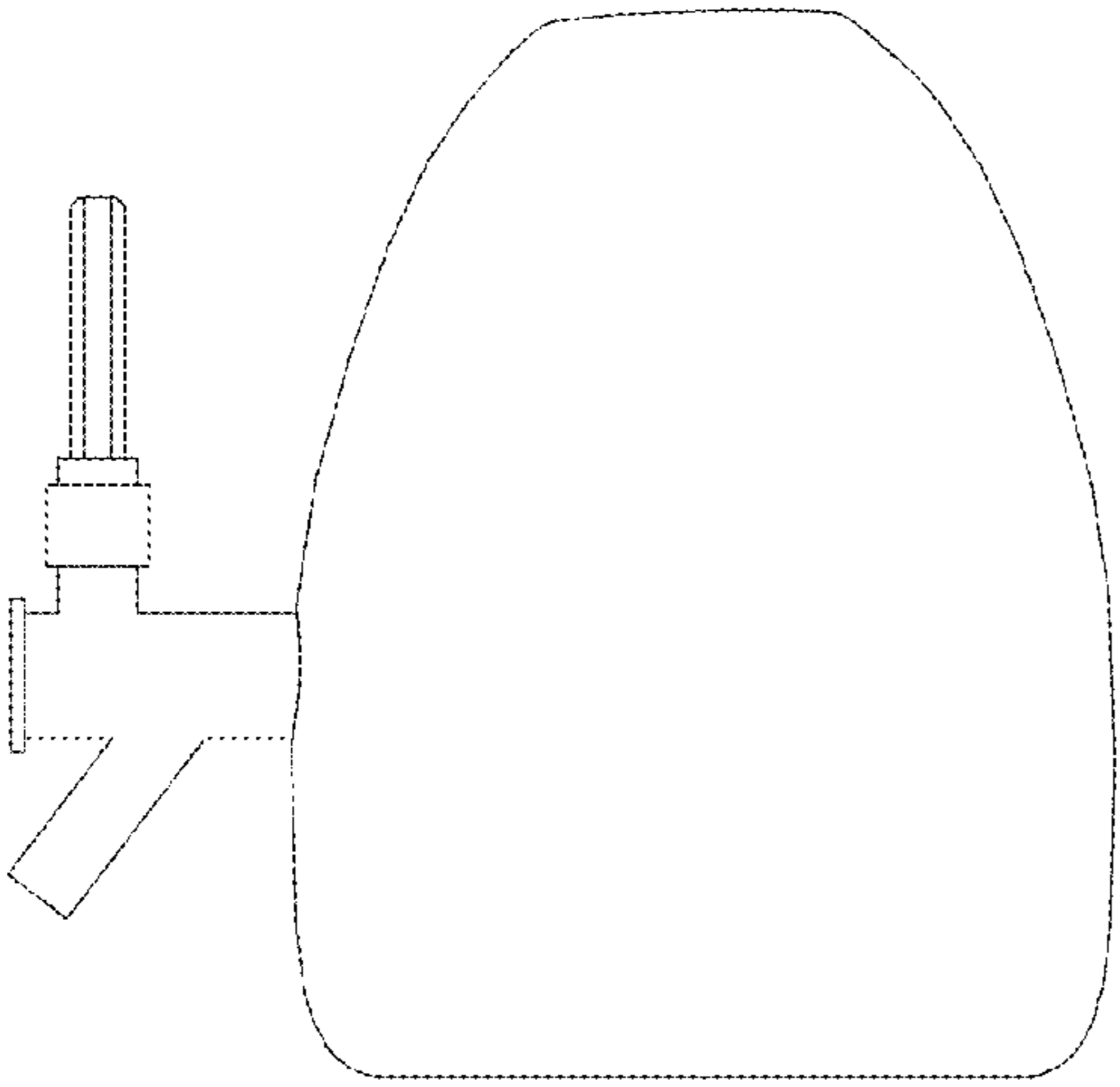


Fig. 3

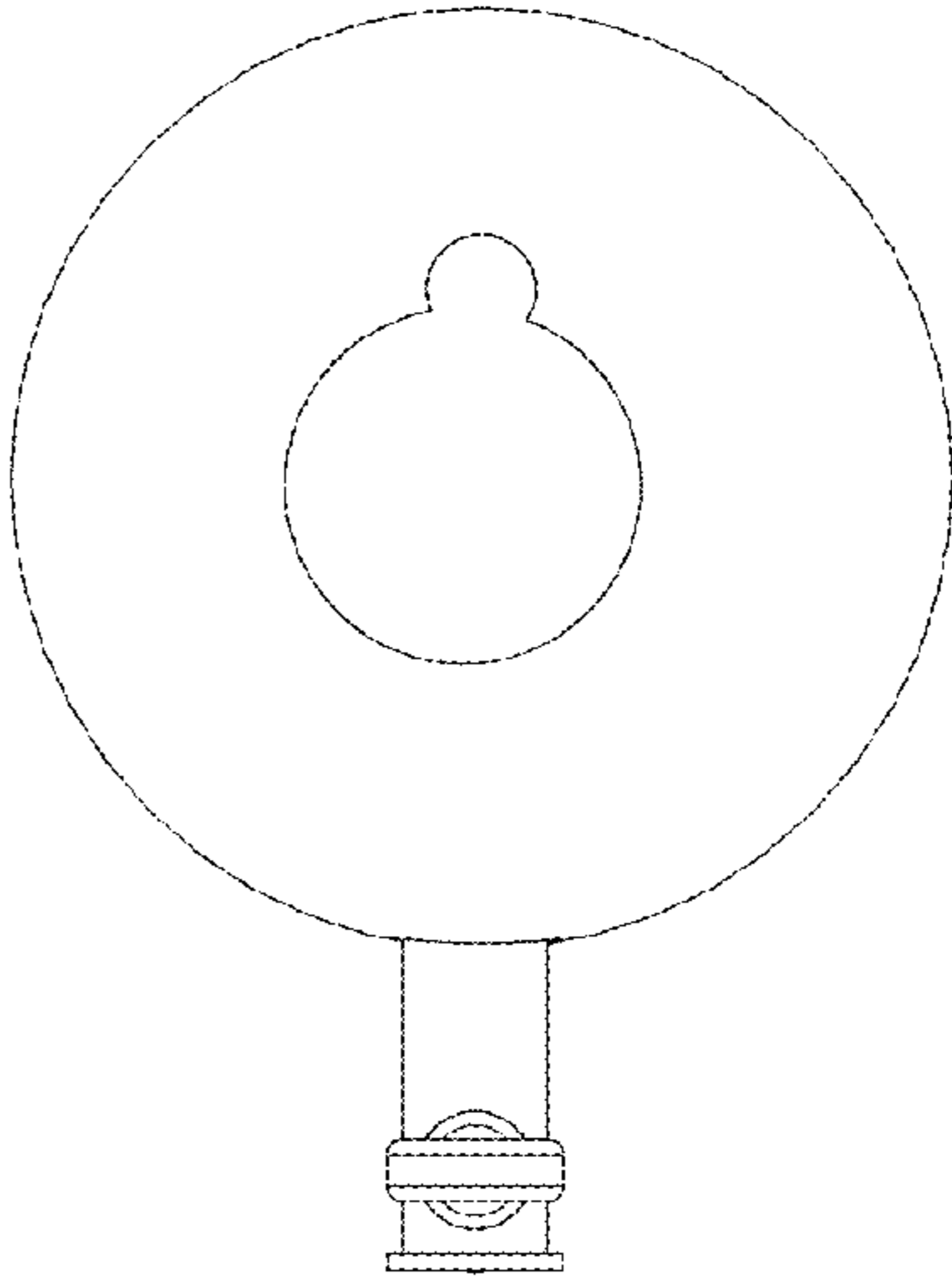


Fig. 4

UNITED STATES PATENT AND TRADEMARK OFFICE
CERTIFICATE OF CORRECTION

PATENT NO. : D703,990 S
APPLICATION NO. : 29/428722
DATED : May 6, 2014
INVENTOR(S) : Jeffrey D. Henderson

Page 1 of 2

It is certified that error appears in the above-identified patent and that said Letters Patent is hereby corrected as shown below:

On the Title Page, below Abstract, delete "1 Claim, 1 Drawing Sheet" and insert --1 Claim,
2 Drawing Sheets--

In the Drawings,

Please add drawing sheet 2 of 2 consisting of fig. 5 and 6, as shown on attached sheet

Signed and Sealed this
Thirtieth Day of September, 2014



Michelle K. Lee
Deputy Director of the United States Patent and Trademark Office

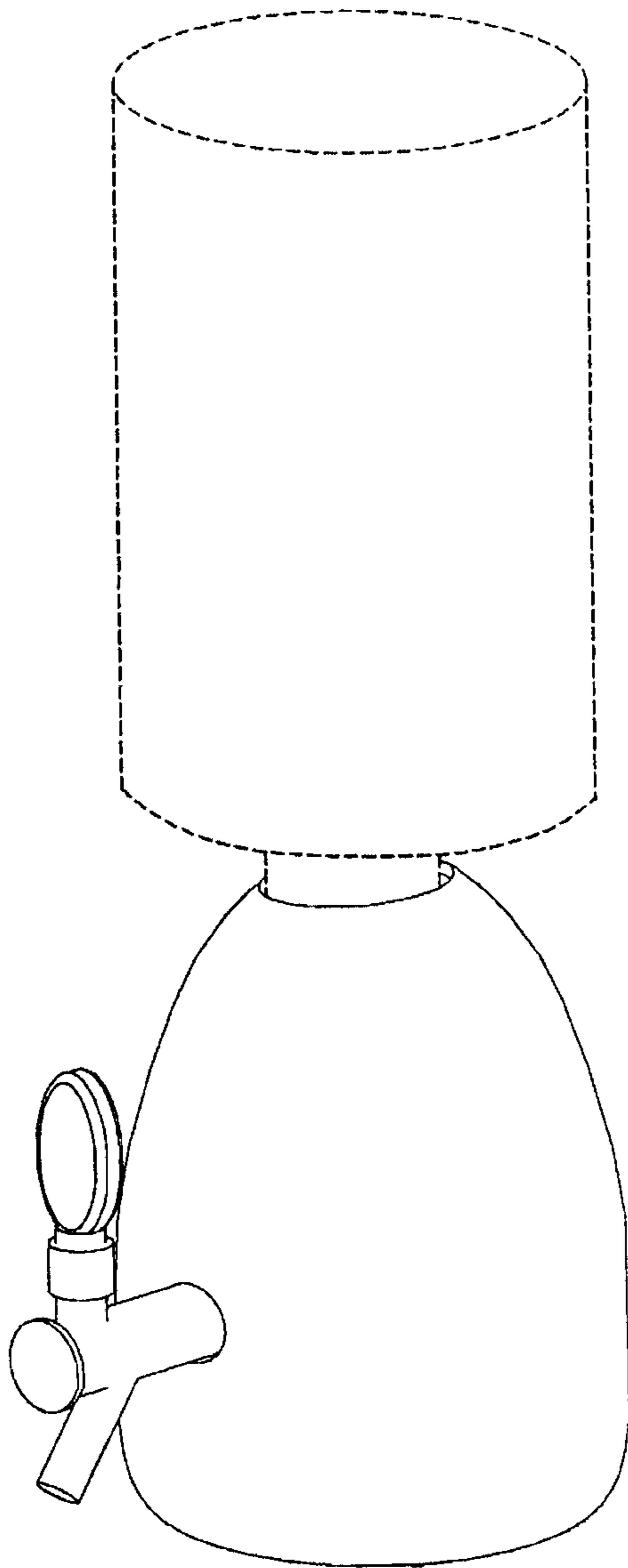


Fig. 5

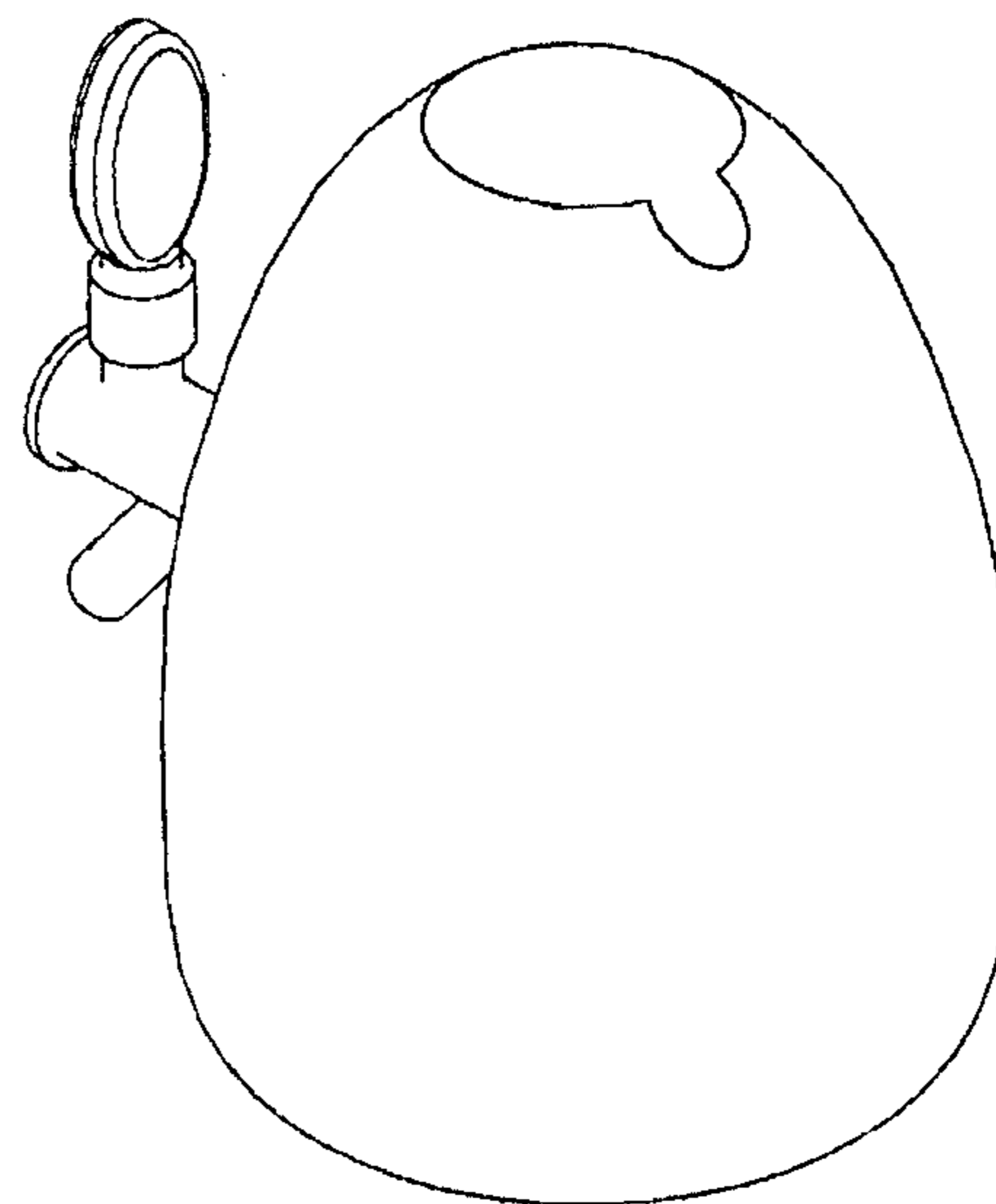


Fig. 6