



US00D703989S

(12) **United States Design Patent**
Garman

(10) **Patent No.:** **US D703,989 S**

(45) **Date of Patent:** **** May 6, 2014**

- (54) **KITCHEN APPLIANCE**
- (71) Applicant: **Hamilton Beach Brands, Inc.**, Glen Allen, VA (US)
- (72) Inventor: **Michael Garman**, Moseley, VA (US)
- (73) Assignee: **Hamilton Beach Brands, Inc.**, Glen Allen, VA (US)
- (**) Term: **14 Years**

5,503,060	A *	4/1996	Morecroft et al.	99/295
D377,577	S *	1/1997	Cousins et al.	D7/309
D414,647	S *	10/1999	Driscoll et al.	D7/309
D452,106	S *	12/2001	Seiffert	D7/305
7,089,849	B2 *	8/2006	Chen et al.	99/290
7,231,142	B1	6/2007	Leung et al.	
D552,402	S *	10/2007	Schwamkrug	D7/309
D561,516	S *	2/2008	De Pra'	D7/309
D562,052	S *	2/2008	De Pra'	D7/309
7,942,094	B2	5/2011	Kounlavong et al.	
8,042,454	B2 *	10/2011	De'Longhi	99/289 R
D689,729	S *	9/2013	Yan	D7/352
D690,150	S *	9/2013	Cahen	D7/309
2008/0000357	A1 *	1/2008	Yang et al.	99/279

(21) Appl. No.: **29/444,062**

* cited by examiner

(22) Filed: **Jan. 25, 2013**

Primary Examiner — Marianne Pandozzi

(51) **LOC (10) Cl.** **07-01**

(74) *Attorney, Agent, or Firm* — Alexander D Raring

(52) **U.S. Cl.**

USPC **D7/305**; D7/309; D7/311; D7/310

(58) **Field of Classification Search**

USPC D7/306-308, 311, 313, 301, 300, 305, D7/304, 309, 310; 220/720, 281, 714; 222/146.6, 146.1, 129.1, 185.1; D9/636, 638; D25/6; 239/17; 219/438; D20/5, 4; D23/207; 99/295, 279, 281, 99/289 R, 289, 307; D15/80, 82

See application file for complete search history.

(57) **CLAIM**

The ornamental design for a kitchen appliance, as shown and described.

DESCRIPTION

FIG. 1 is a perspective view as seen from the top, front and right side of a kitchen appliance showing the new design; FIG. 2 is a front view thereof; FIG. 3 is a rear view thereof; FIG. 4 is a right side view thereof; FIG. 5 is a left side view thereof; FIG. 6 is a top view thereof; and, FIG. 7 is a bottom view thereof.

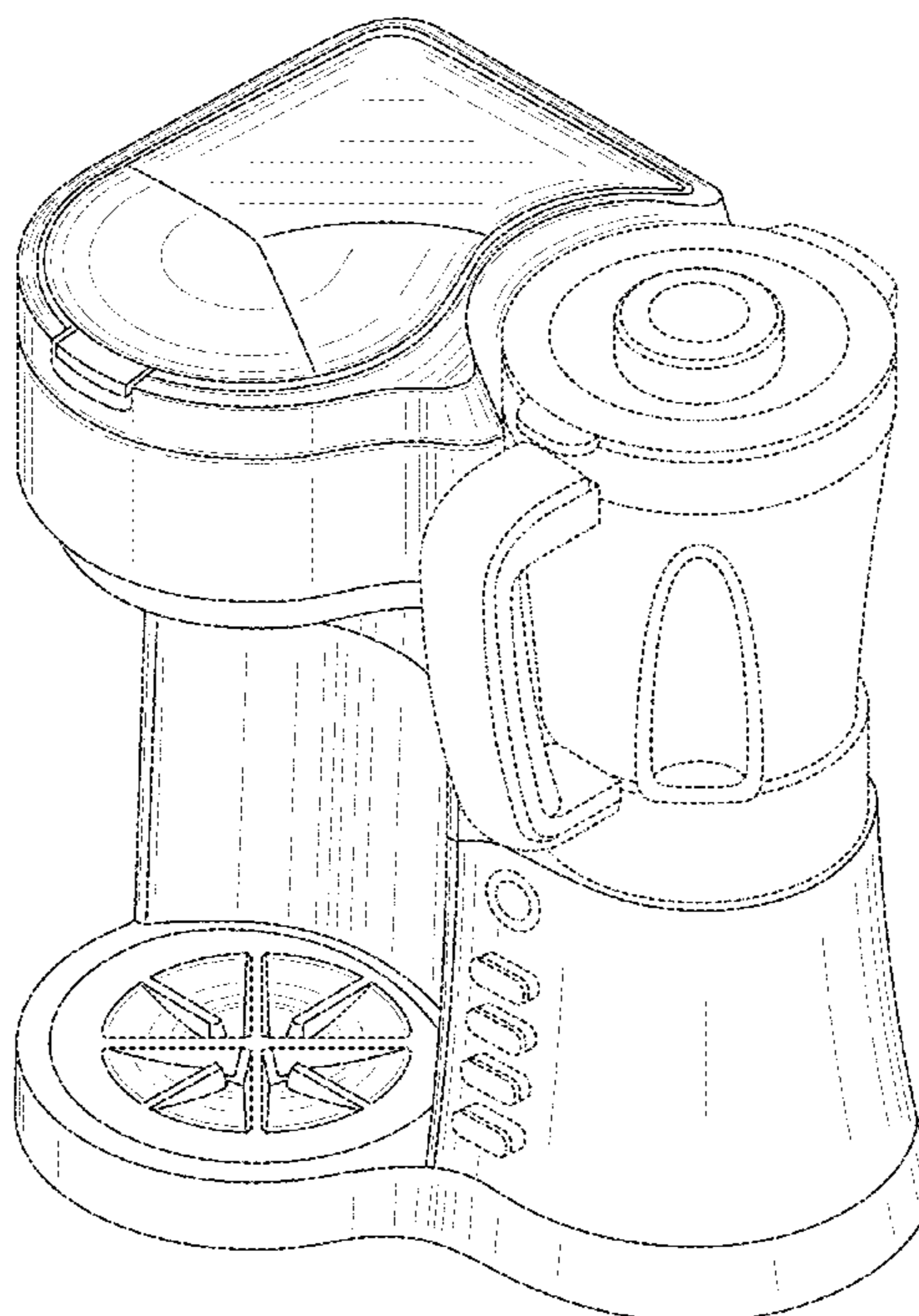
The broken lines in the drawings are included for illustrative purposes only and form no part of the claimed design.

(56) **References Cited**

U.S. PATENT DOCUMENTS

D256,873	S *	9/1980	Ettridge et al.	D7/309
D312,743	S *	12/1990	Osit	D7/309
D337,915	S *	8/1993	Kahlcke	D7/308
D344,427	S *	2/1994	Bannigan	D7/309
D356,466	S *	3/1995	Classen	D7/309

1 Claim, 7 Drawing Sheets



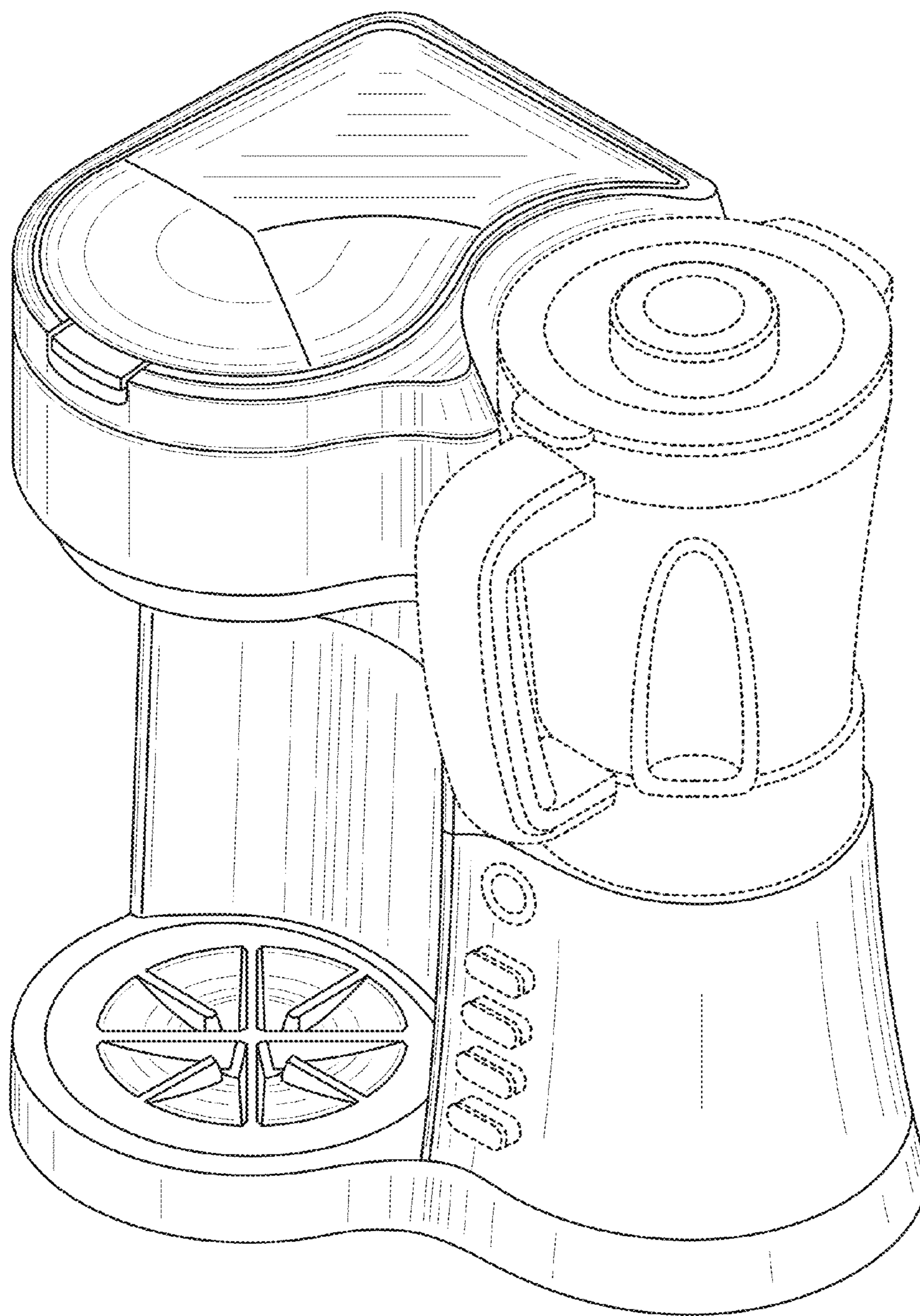


FIG. 1

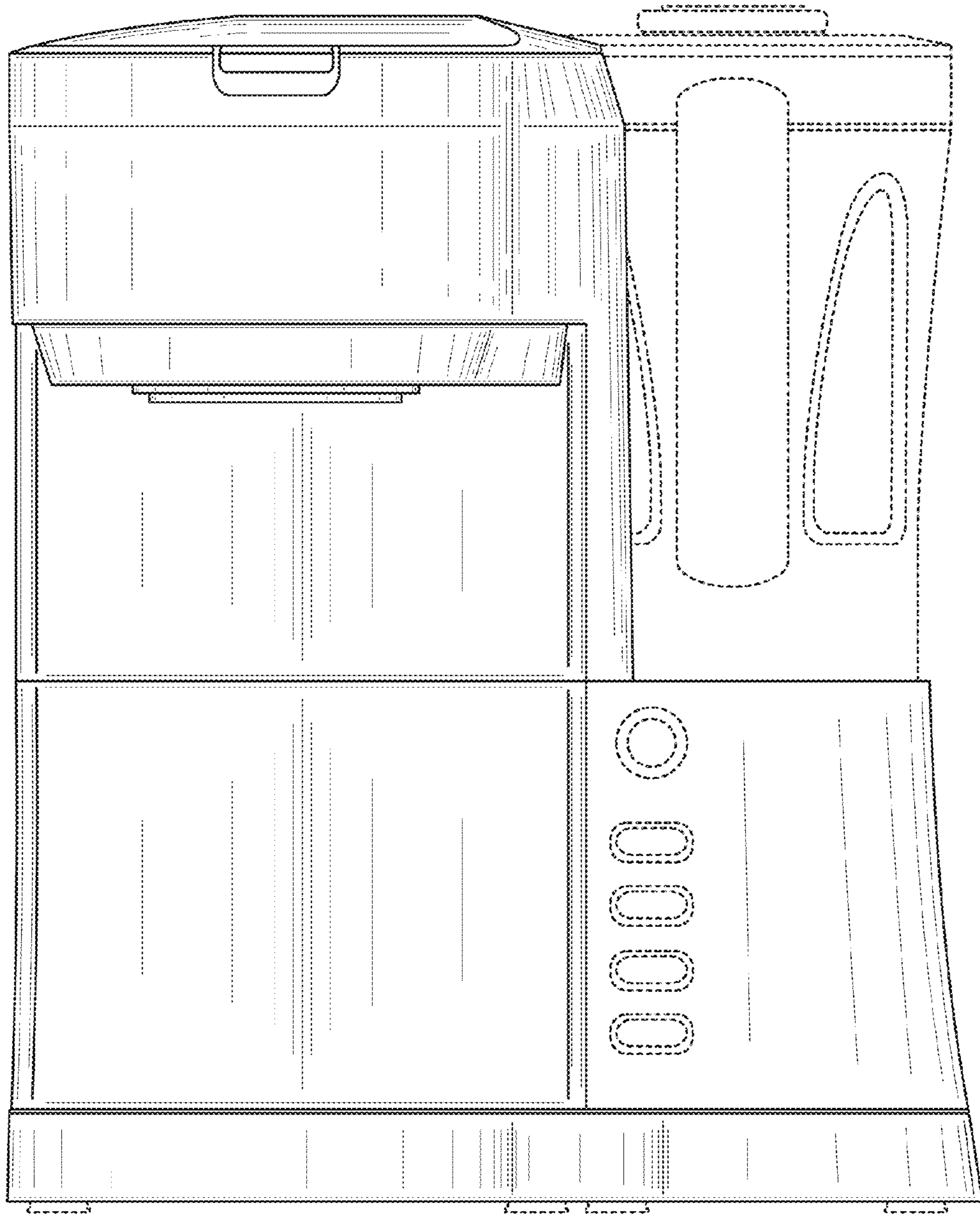


FIG. 2

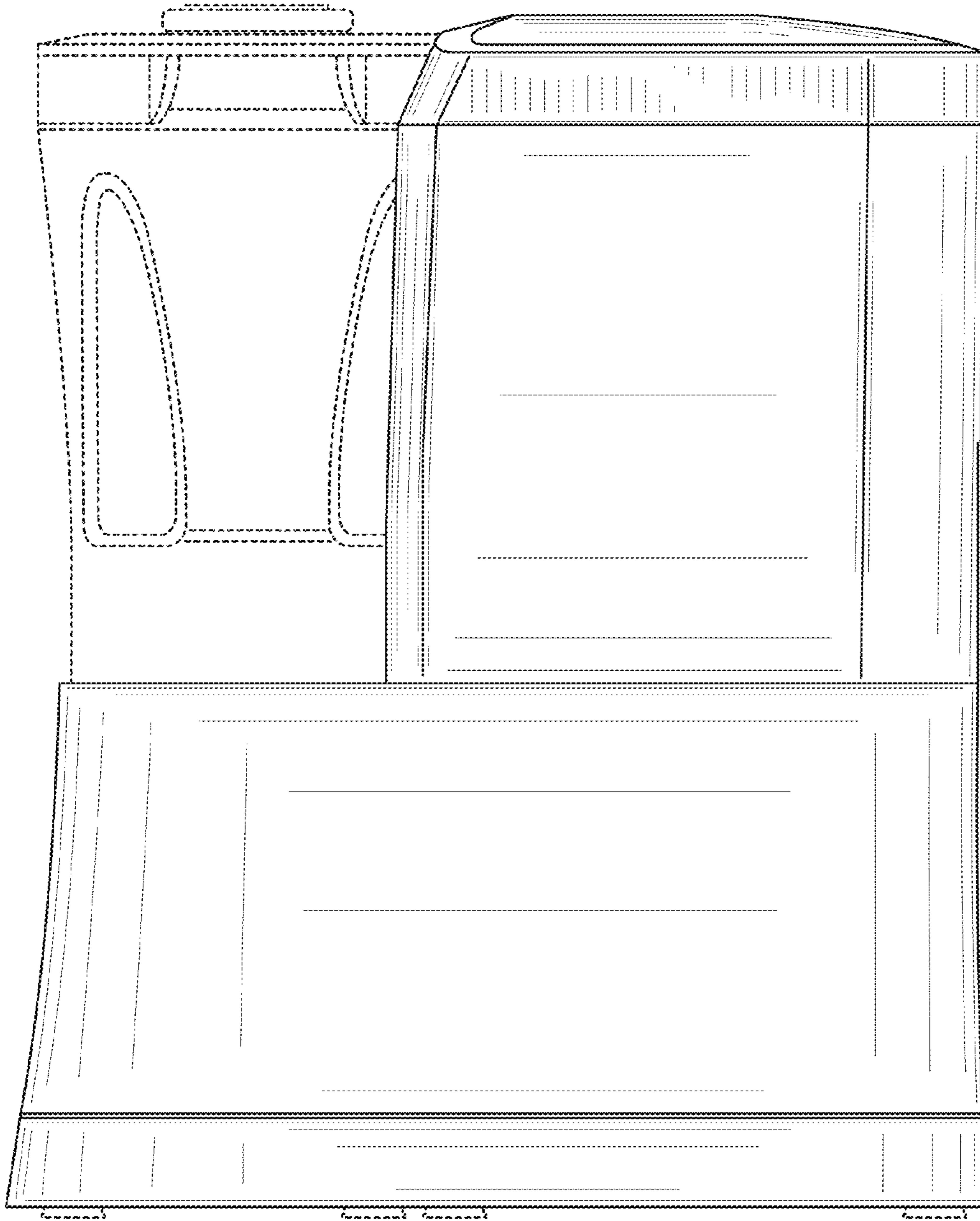


FIG. 3

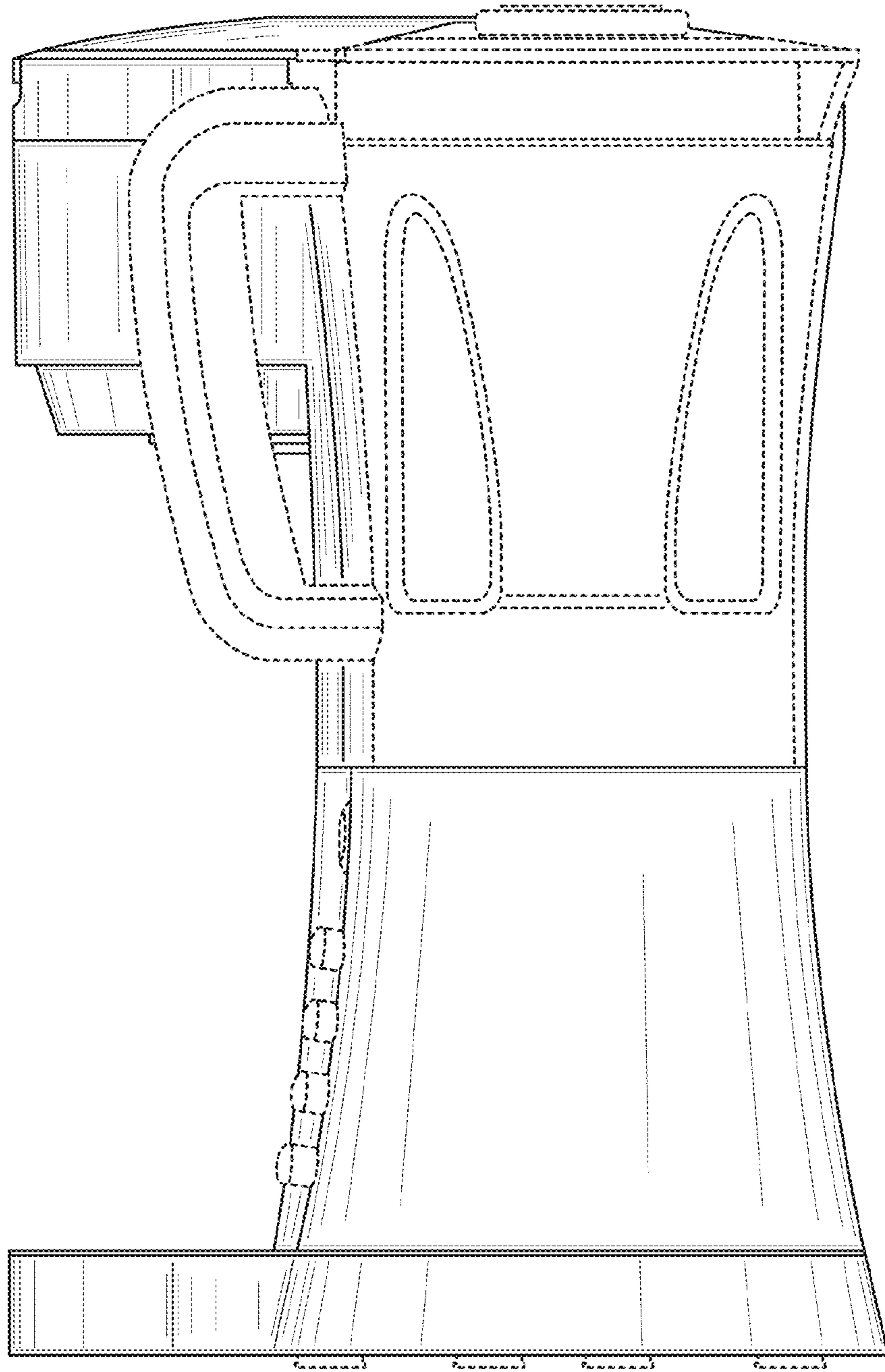


FIG. 4

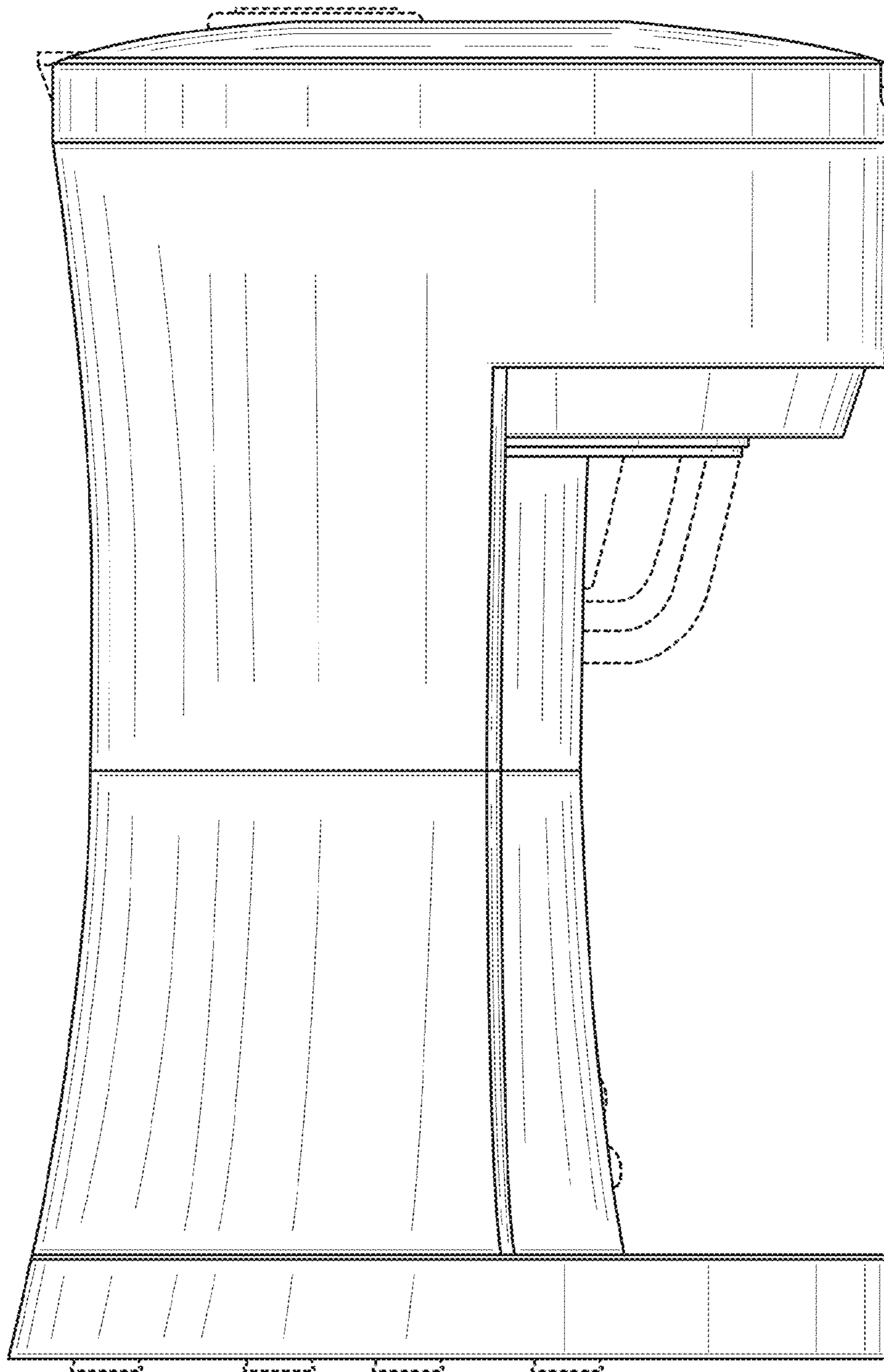


FIG. 5

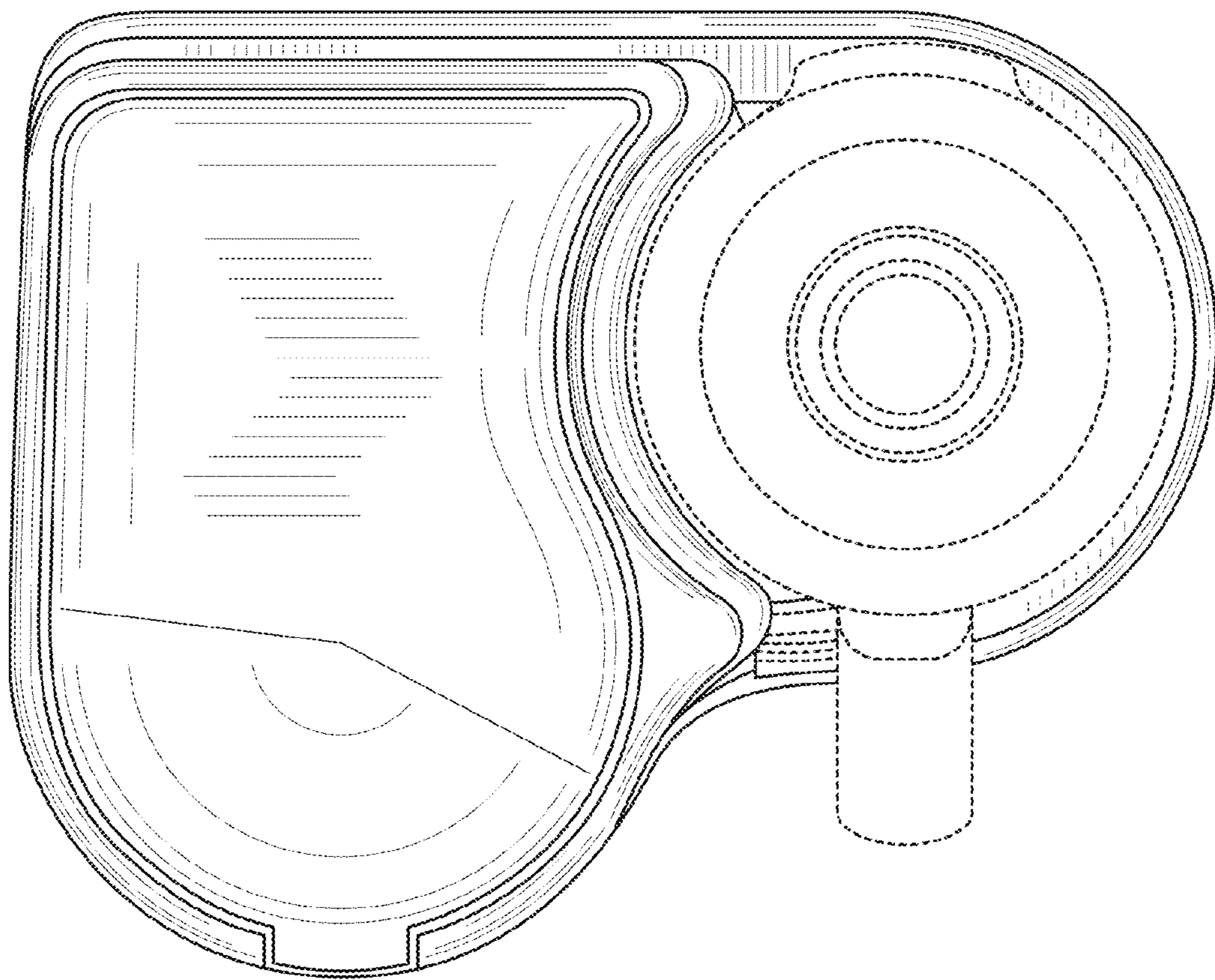


FIG. 6

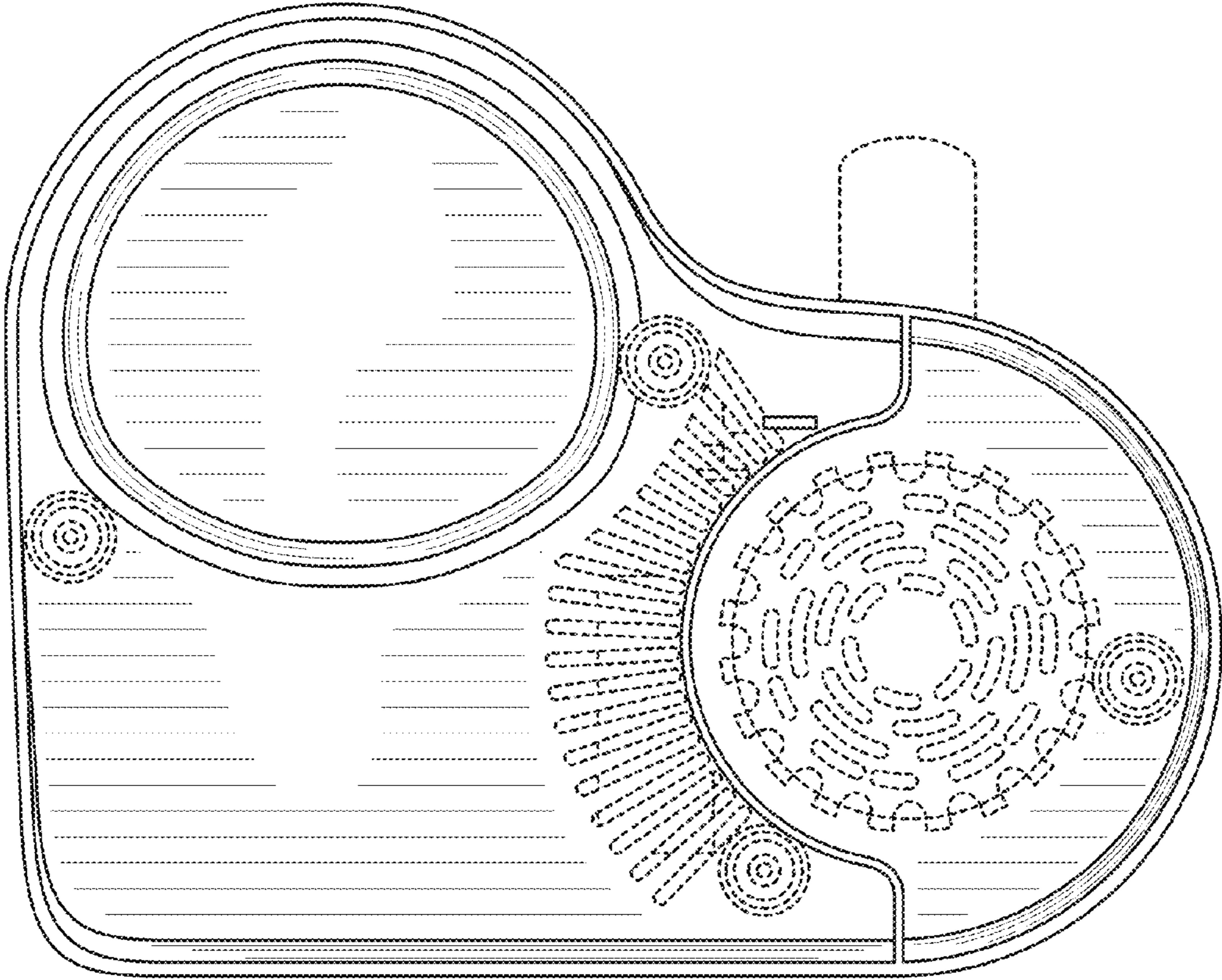


FIG. 7