



US00D703988S

(12) **United States Design Patent**
Smith et al.

(10) **Patent No.:** **US D703,988 S**

(45) **Date of Patent:** **** May 6, 2014**

(54) **CHAIR**

(71) Applicant: **Steelcase Inc.**, Grand Rapids, MI (US)

(72) Inventors: **Bruce M. Smith**, East Grand Rapids, MI (US); **Glen Oliver Low**, Hamburg (DE); **James N. Ludwig**, East Grand Rapids, MI (US); **Christopher Norman**, Byron Center, MI (US); **Nickolaus William Charles Deevers**, Holland, MI (US)

(73) Assignee: **Steelcase Inc.**, Grand Rapids, MI (US)

(**) Term: **14 Years**

(21) Appl. No.: **29/457,259**

(22) Filed: **Jun. 7, 2013**

(51) **LOC (10) Cl.** **06-01**

(52) **U.S. Cl.**

USPC **D6/716.4**

(58) **Field of Classification Search**

USPC D6/334-336, 364, 365, 366, 367, 374, D6/376, 379, 380, 716, 716.1, 716.2, D6/716.3, 716.4; 297/284.4, 284.7, 300.1, 297/300.2, 452.21, 452.29, 452.3, 452.32, 297/452.35, 452.48, 452.63

See application file for complete search history.

(56) **References Cited**

U.S. PATENT DOCUMENTS

398,179 A	2/1889	Parry et al.
2,156,664 A	5/1939	Little, Jr.
2,731,076 A	1/1956	Rowland
2,803,293 A	8/1957	Rowland
D180,975 S	9/1957	Umanoff
D199,671 S	12/1964	Mulhauser, Jr.
3,744,846 A	7/1973	Platt et al.
D228,483 S	10/1973	Sebel et al.
D233,715 S	11/1974	Fantoni
D240,375 S	7/1976	Buhk

D258,480 S	3/1981	Rowland
D258,924 S	4/1981	Deschamps et al.
D259,688 S	6/1981	Ambasz
D260,056 S	8/1981	Sapper
D262,168 S	12/1981	Lustig
4,309,058 A	1/1982	Barley

(Continued)

FOREIGN PATENT DOCUMENTS

DE	4126520	2/1993
DE	29811414	12/1998

(Continued)

OTHER PUBLICATIONS

Damen Office Furniture, Bosen Scope Series, "Flexor Chair Brochure," <http://www.officefurniture.co.nz/afawcs0154356/CATID=90/ID=113/SID=192488821/Flexor-Chair.html>.

(Continued)

Primary Examiner — Mimoso De

(74) *Attorney, Agent, or Firm* — Price Heneveld LLP

(57)

CLAIM

We claim the ornamental design for a chair, as shown and described.

DESCRIPTION

FIG. 1 is a perspective view of a chair embodying the present invention;

FIG. 2 is a front view of the chair;

FIG. 3 is a first side view of the chair;

FIG. 4 is a second side view of the chair;

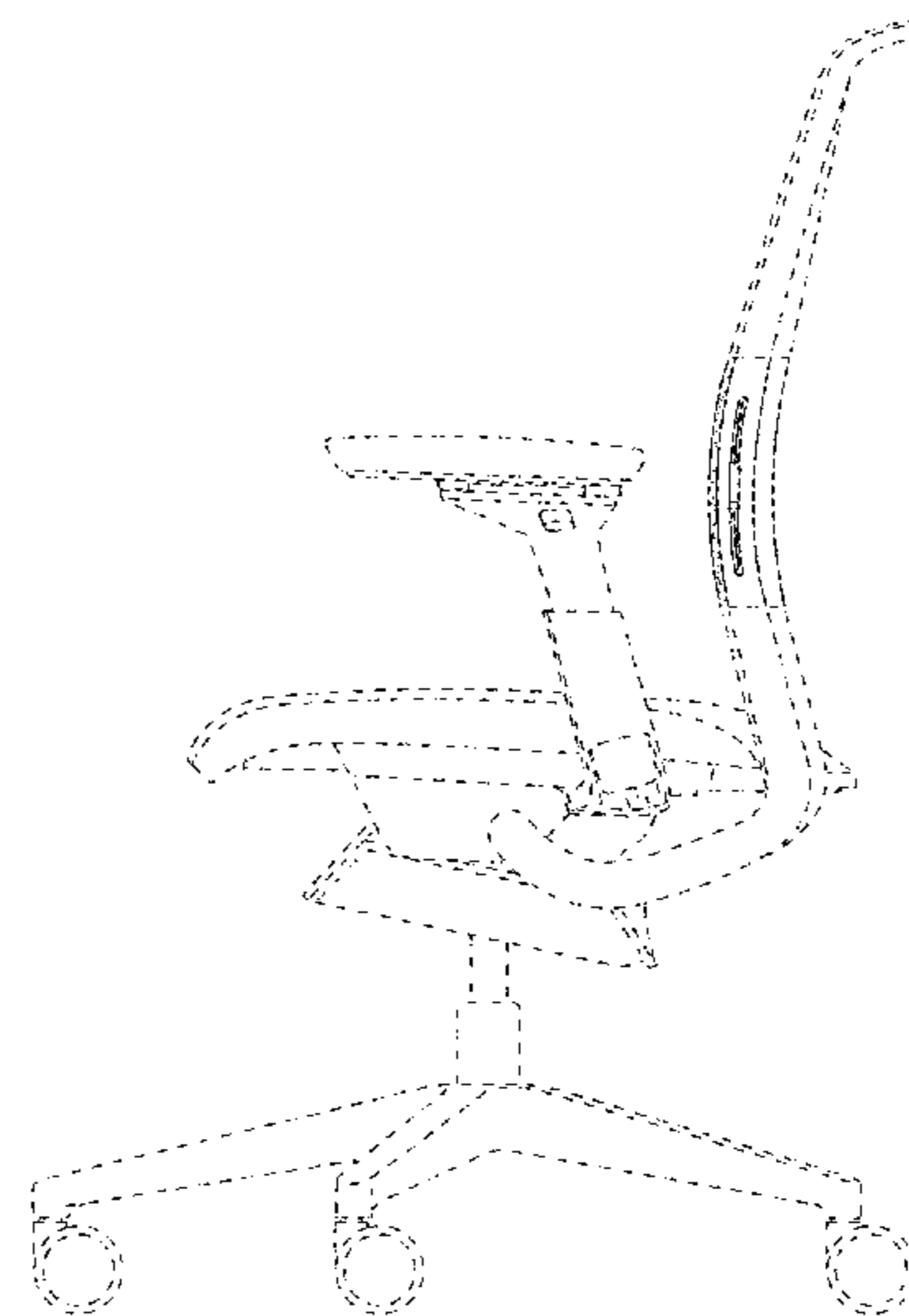
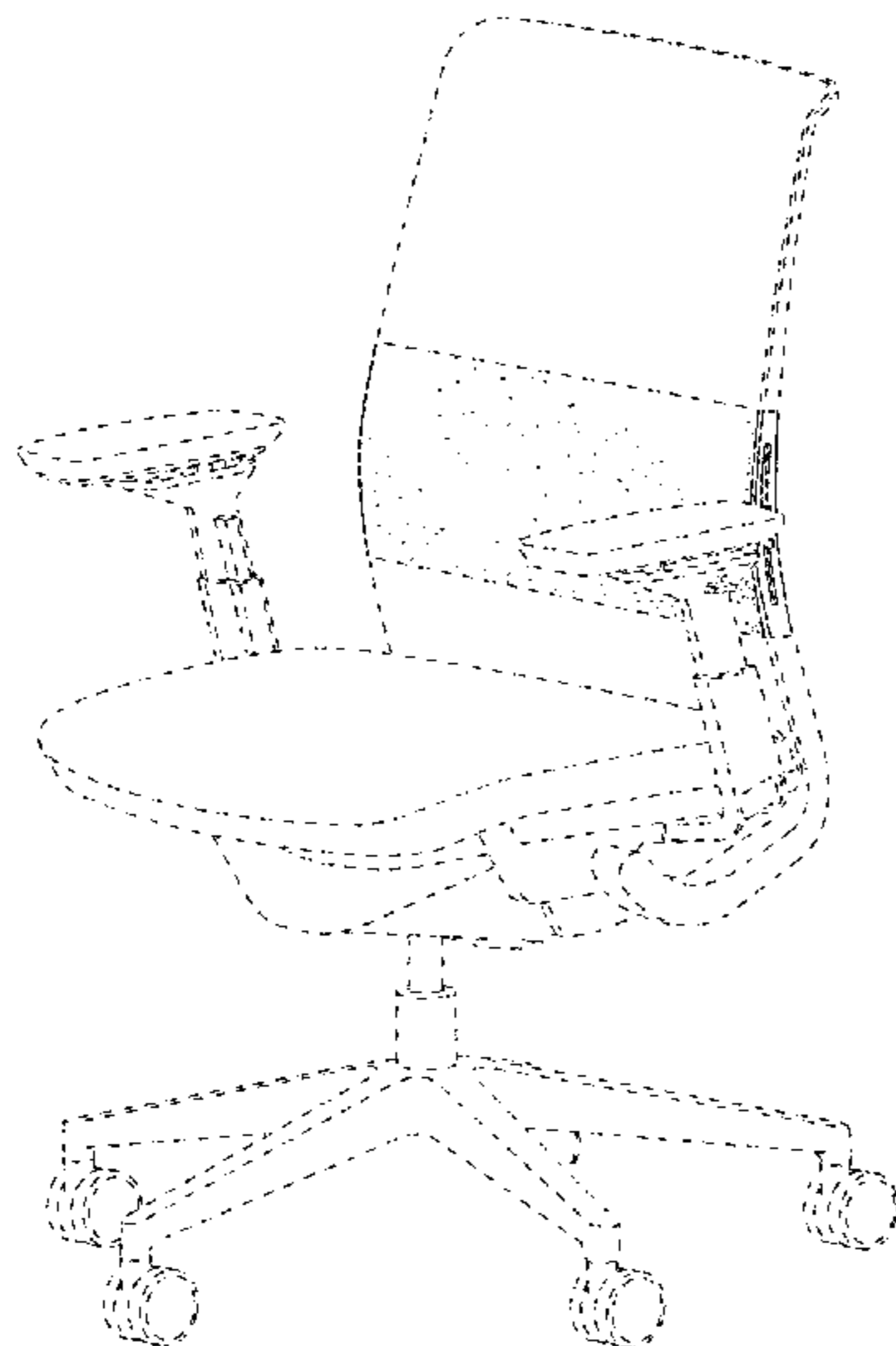
FIG. 5 is a rear view of the chair;

FIG. 6 is a top view of the chair; and,

FIG. 7 is a bottom view of the chair.

The broken lines shown in the drawing are for illustrative purposes only and form no part of the claimed design.

1 Claim, 6 Drawing Sheets



(56)

References Cited

U.S. PATENT DOCUMENTS

4,318,556 A 3/1982 Rowland
 D266,804 S 11/1982 Zapf
 4,545,614 A 10/1985 Abu-Isa et al.
 4,567,615 A 2/1986 Fanti
 D289,120 S 4/1987 Chadwick et al.
 D327,781 S 7/1992 Citterio
 D327,782 S 7/1992 Citterio
 D339,244 S 9/1993 Fahnstrom et al.
 D339,940 S 10/1993 Balderi et al.
 5,318,347 A 6/1994 Tseng
 D349,826 S 8/1994 Homann
 5,462,335 A 10/1995 Seyler
 5,549,358 A 8/1996 Müller
 5,651,583 A 7/1997 Klingler et al.
 D382,149 S 8/1997 Pimental et al.
 D390,026 S 2/1998 Biecher
 5,806,927 A 9/1998 Schneider
 5,871,258 A 2/1999 Battey et al.
 D410,799 S 6/1999 Meda
 5,951,110 A 9/1999 Conner et al.
 5,954,399 A 9/1999 Hong
 5,975,634 A 11/1999 Knoblock et al.
 5,997,093 A 12/1999 Gollin et al.
 5,997,094 A 12/1999 Cvek
 6,056,360 A 5/2000 Schneider
 6,056,367 A 5/2000 Hsiao
 6,074,013 A 6/2000 Hsiao
 6,076,892 A 6/2000 van Hekken et al.
 6,086,153 A 7/2000 Heidmann et al.
 6,106,070 A 8/2000 Ritt et al.
 6,116,695 A 9/2000 Heidmann et al.
 6,148,979 A 11/2000 Roach et al.
 6,149,236 A 11/2000 Brauning
 D436,259 S 1/2001 Nagamitsu
 D436,260 S 1/2001 Nagamitsu
 D436,456 S 1/2001 Neil
 6,179,384 B1 1/2001 DeKraker et al.
 D437,132 S 2/2001 Nagamitsu
 D437,497 S 2/2001 Brauning
 D437,701 S 2/2001 Bellini et al.
 6,189,972 B1 2/2001 Chu et al.
 6,260,921 B1 7/2001 Chu et al.
 D449,174 S 10/2001 Neil
 6,302,486 B1 10/2001 Lamart et al.
 D451,293 S 12/2001 Su
 D456,625 S 5/2002 Frenkler et al.
 D457,739 S 5/2002 Pearce et al.
 6,386,634 B1 5/2002 Stumpf et al.
 6,394,548 B1 5/2002 Battey et al.
 6,394,553 B1 5/2002 McAllister et al.
 6,402,246 B1 6/2002 Mundell
 6,439,661 B1 8/2002 Brauning
 6,471,294 B1 10/2002 Dammermann et al.
 D468,564 S 1/2003 Piretti et al.
 6,508,509 B2 1/2003 Peterson
 D469,618 S 2/2003 Nagamitsu
 6,523,898 B1 2/2003 Ball et al.
 D474,346 S 5/2003 Saylor et al.
 D476,820 S 7/2003 Nagamitsu
 6,588,842 B2 7/2003 Stumpf et al.
 6,688,690 B2 2/2004 Watson et al.
 6,695,403 B1 2/2004 Su
 D489,542 S 5/2004 Giugiaro
 6,729,691 B2 5/2004 Koepke et al.
 6,874,852 B2 4/2005 Footitt
 6,890,030 B2 5/2005 Wilkerson et al.
 6,908,159 B2 6/2005 Prince et al.
 6,910,741 B2 * 6/2005 Footitt 297/452.29
 D509,969 S 9/2005 Loew et al.
 6,957,860 B1 10/2005 Leist et al.
 6,957,861 B1 10/2005 Chou et al.
 6,991,291 B2 1/2006 Knoblock et al.
 7,014,269 B2 3/2006 Coffield et al.
 7,097,247 B2 8/2006 Battey et al.

D534,018 S 12/2006 Loew et al.
 D534,364 S 1/2007 Loew et al.
 D540,080 S 4/2007 Su
 D542,580 S * 5/2007 Loew et al. D6/716.4
 D543,385 S 5/2007 Loew et al.
 D543,396 S 5/2007 Loew et al.
 D543,397 S 5/2007 Loew et al.
 7,226,130 B2 6/2007 Tubergen et al.
 D558,996 S * 1/2008 Igarashi D6/366
 D559,571 S * 1/2008 Meda D6/366
 D559,573 S * 1/2008 Igarashi D6/366
 7,328,950 B2 2/2008 McMillen et al.
 7,344,194 B2 3/2008 Maier et al.
 7,347,495 B2 3/2008 Beyer et al.
 7,360,835 B2 4/2008 Tubergen et al.
 D579,223 S 10/2008 Greutmann
 7,441,839 B2 10/2008 Pennington et al.
 7,484,802 B2 2/2009 Beyer et al.
 7,604,298 B2 10/2009 Peterson et al.
 D604,527 S 11/2009 Ooki et al.
 D609,021 S 2/2010 Ooki et al.
 7,748,783 B2 7/2010 Kinoshita et al.
 7,798,573 B2 9/2010 Pennington et al.
 7,841,666 B2 11/2010 Schmitz et al.
 7,857,388 B2 12/2010 Bedford et al.
 8,162,399 B2 4/2012 Demontis et al.
 D665,592 S * 8/2012 Citterio D6/366
 D666,841 S * 9/2012 Czumaj-Bront et al. D6/366
 2003/0137172 A1 7/2003 Chu
 2004/0051358 A1 * 3/2004 Bodnar et al. 297/300.1
 2004/0245827 A1 * 12/2004 Bedford et al. 297/300.1
 2004/0245839 A1 * 12/2004 Bodnar et al. 297/452.63
 2006/0261653 A1 11/2006 McMillen et al.
 2007/0216208 A1 * 9/2007 Maier et al. 297/284.4
 2010/0001572 A1 1/2010 Masunaga et al.
 2010/0148546 A1 6/2010 Demontis et al.
 2011/0062758 A1 3/2011 Wiese
 2012/0306247 A1 * 12/2012 Bisman et al. 297/284.7

FOREIGN PATENT DOCUMENTS

DE	20112351	1/2002
EP	0284272	9/1988
EP	0836819	4/1998
EP	0839478	5/1998
EP	0949875	10/1999
EP	1044634	10/2000
EP	1059051	12/2000
EP	1192880	4/2002
EP	1287765	3/2003
FR	1253004	2/1961
JP	200379471	3/2003
JP	2003079472	3/2003
JP	2003079474	3/2003
JP	2003079476	3/2003
JP	2003079478	3/2003
JP	2003079479	3/2003
JP	2003079481	3/2003
JP	2003079487	3/2003
JP	2003081322	3/2003
WO	9103968	4/1991
WO	9816140	4/1998
WO	9921456	5/1999
WO	9941103	8/1999
WO	0022960	4/2000
WO	0074531	12/2000
WO	0178558	10/2001

OTHER PUBLICATIONS

Vitra AG, Meda II chair, "Meda Collection, Office Chair," <http://www.vitra.com/en-us/product/meda-chair--meda-conference?subfam.id=37683>, Sotto Today, Apr. 2002.
 Steelcase, Inc., "Think Chair Brochure," Printed 2010.
 ebay, Item #92748107, "Armchair," Printed Dec. 9, 2002.

* cited by examiner

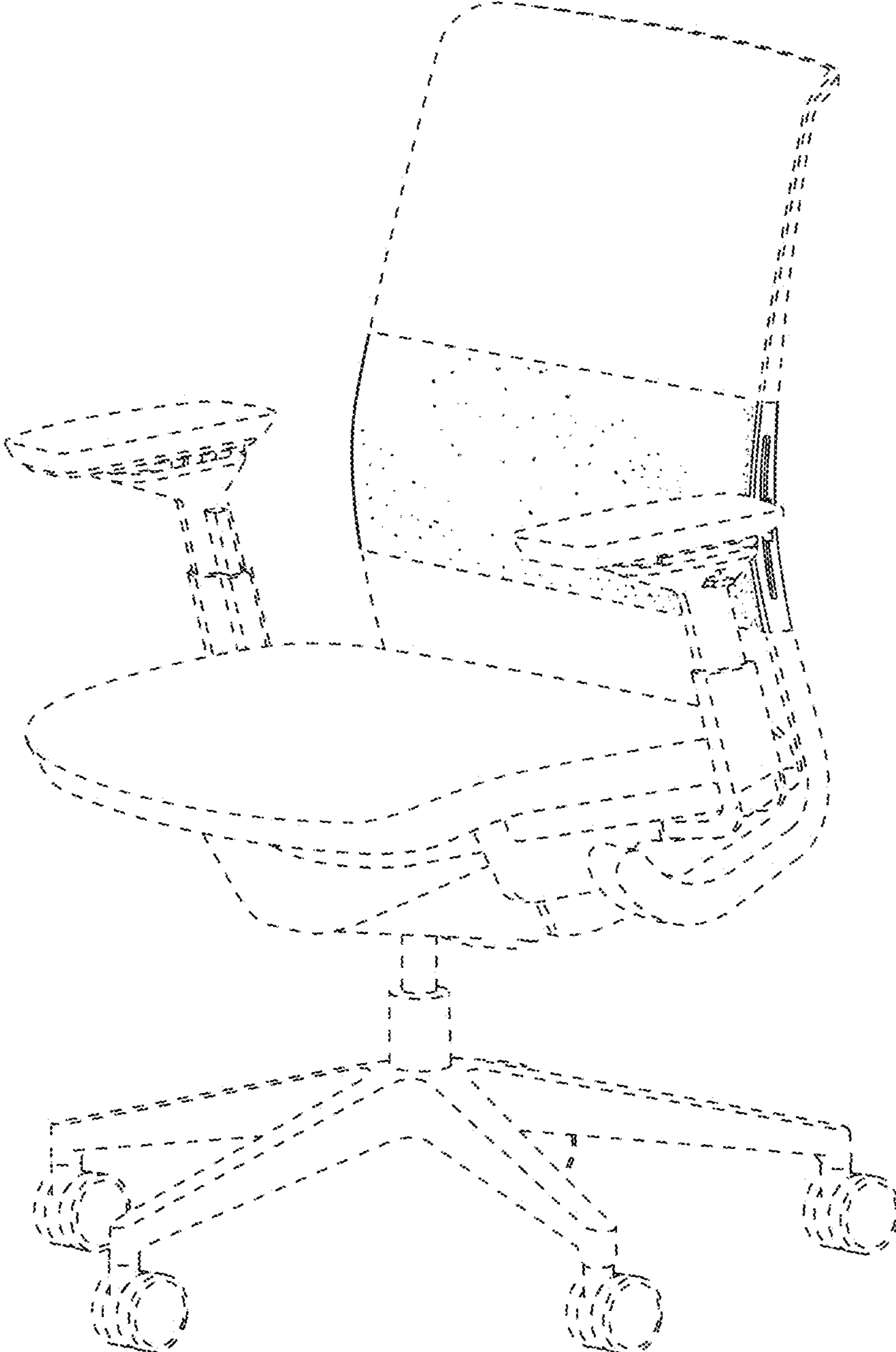


FIG. 1

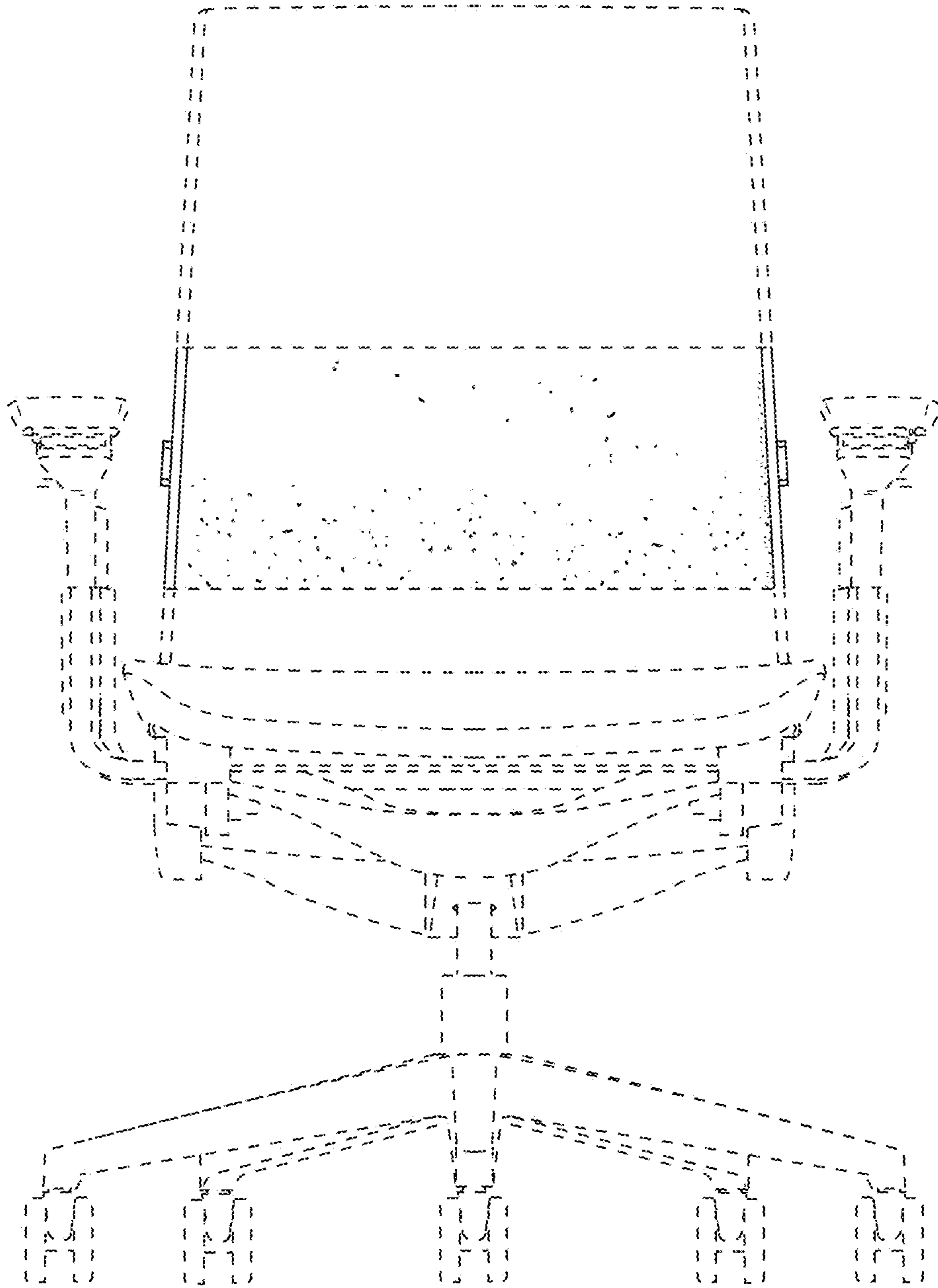


FIG. 2

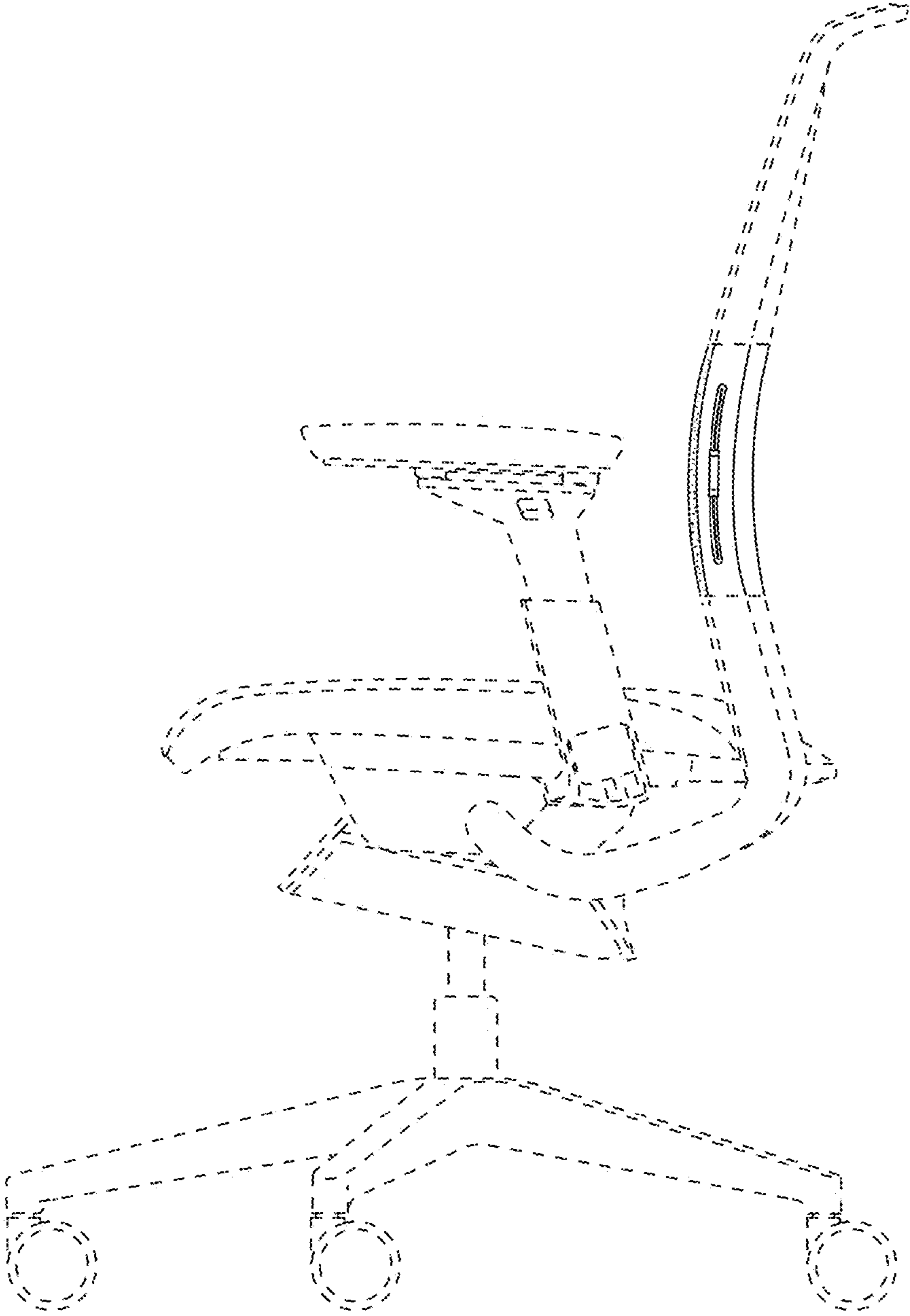


FIG. 3

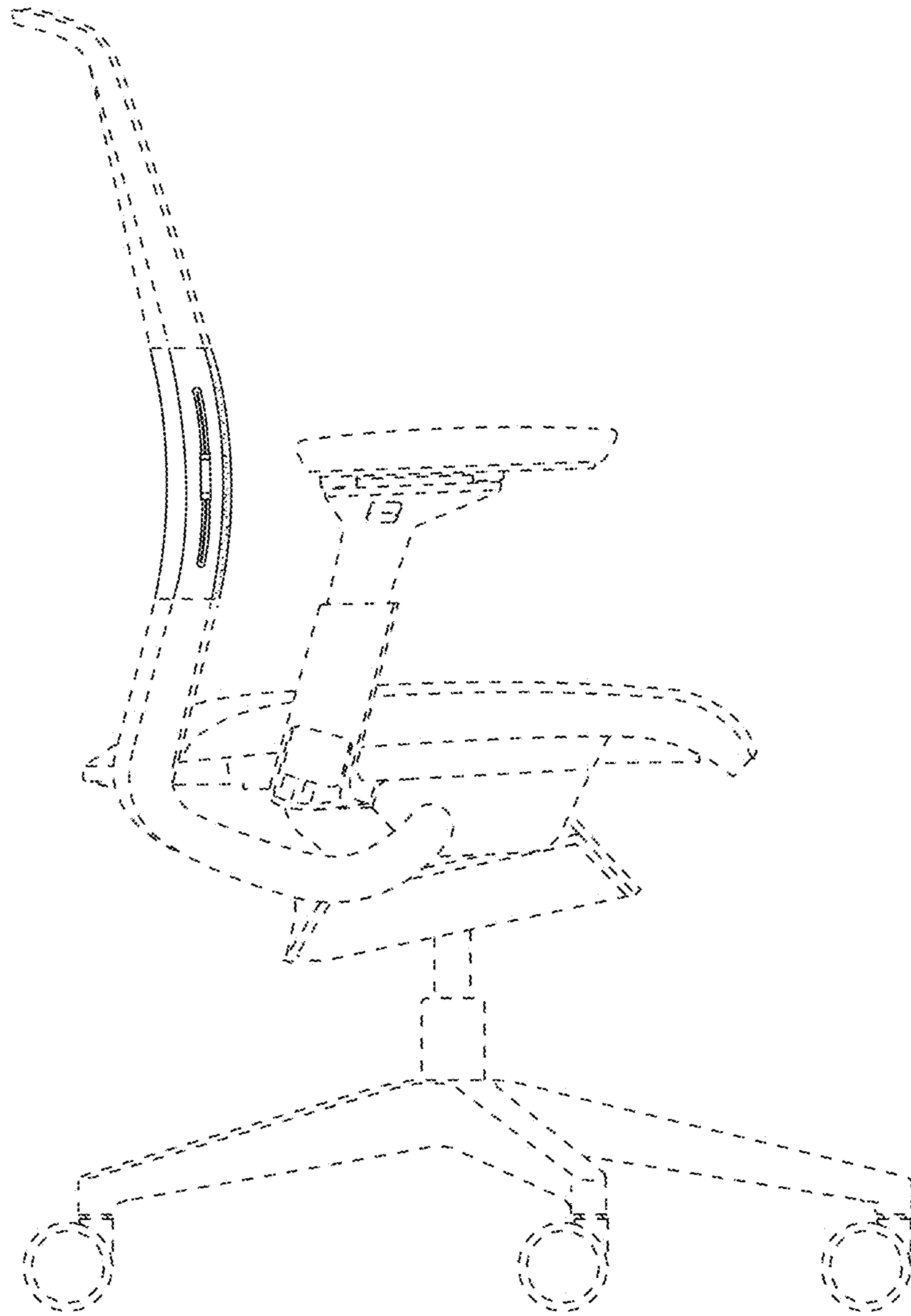


FIG. 4

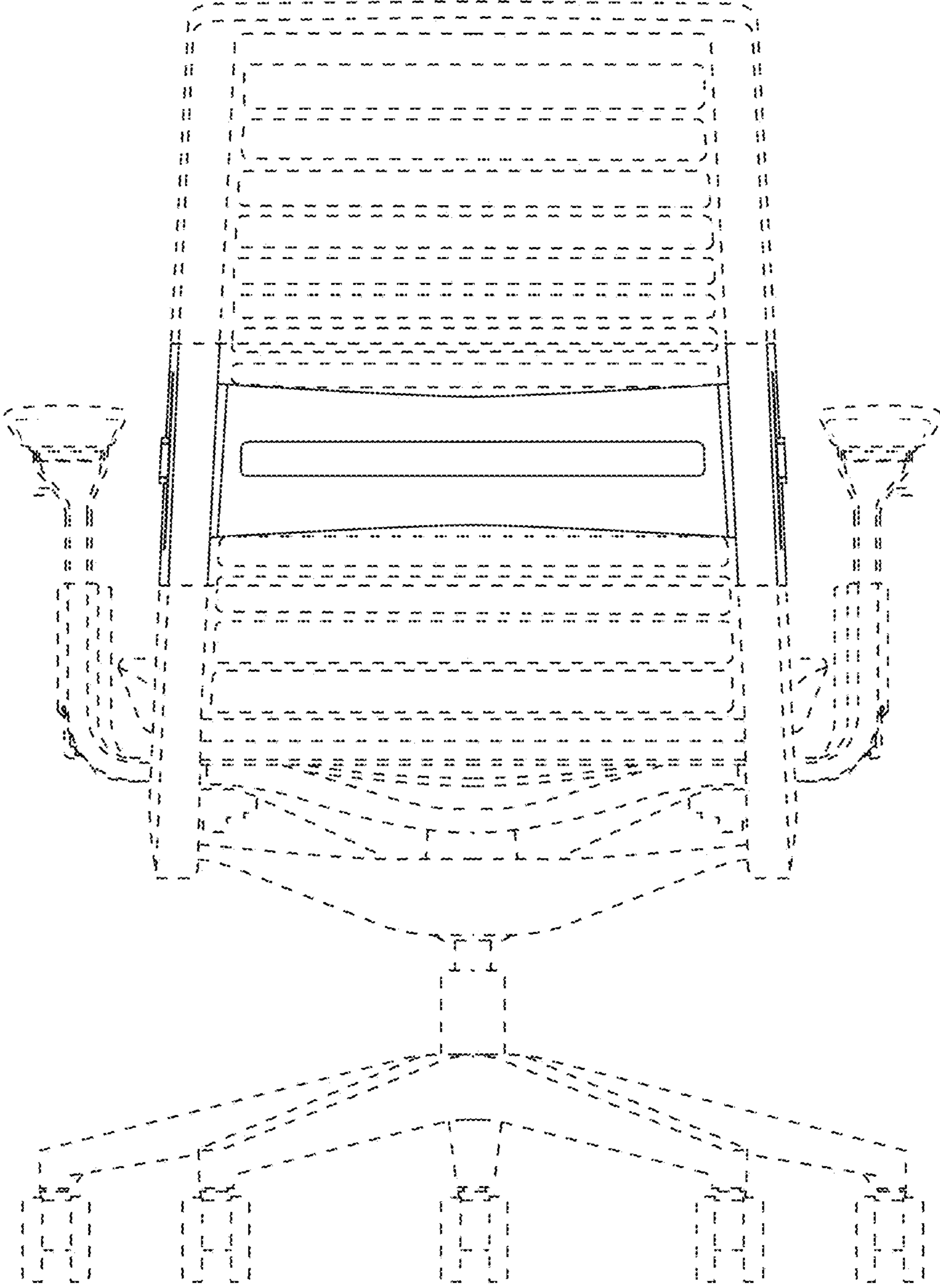


FIG. 5

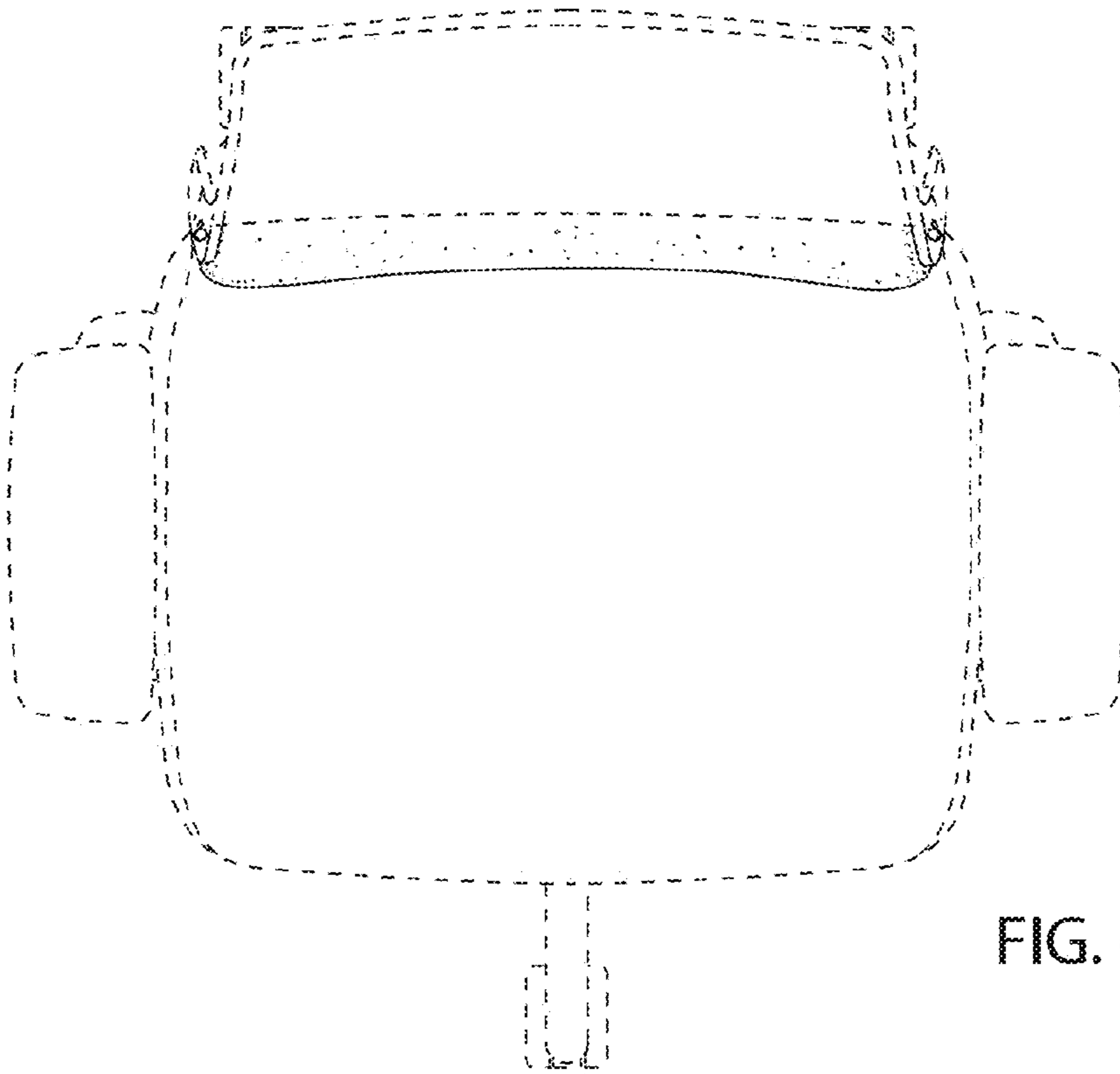


FIG. 6

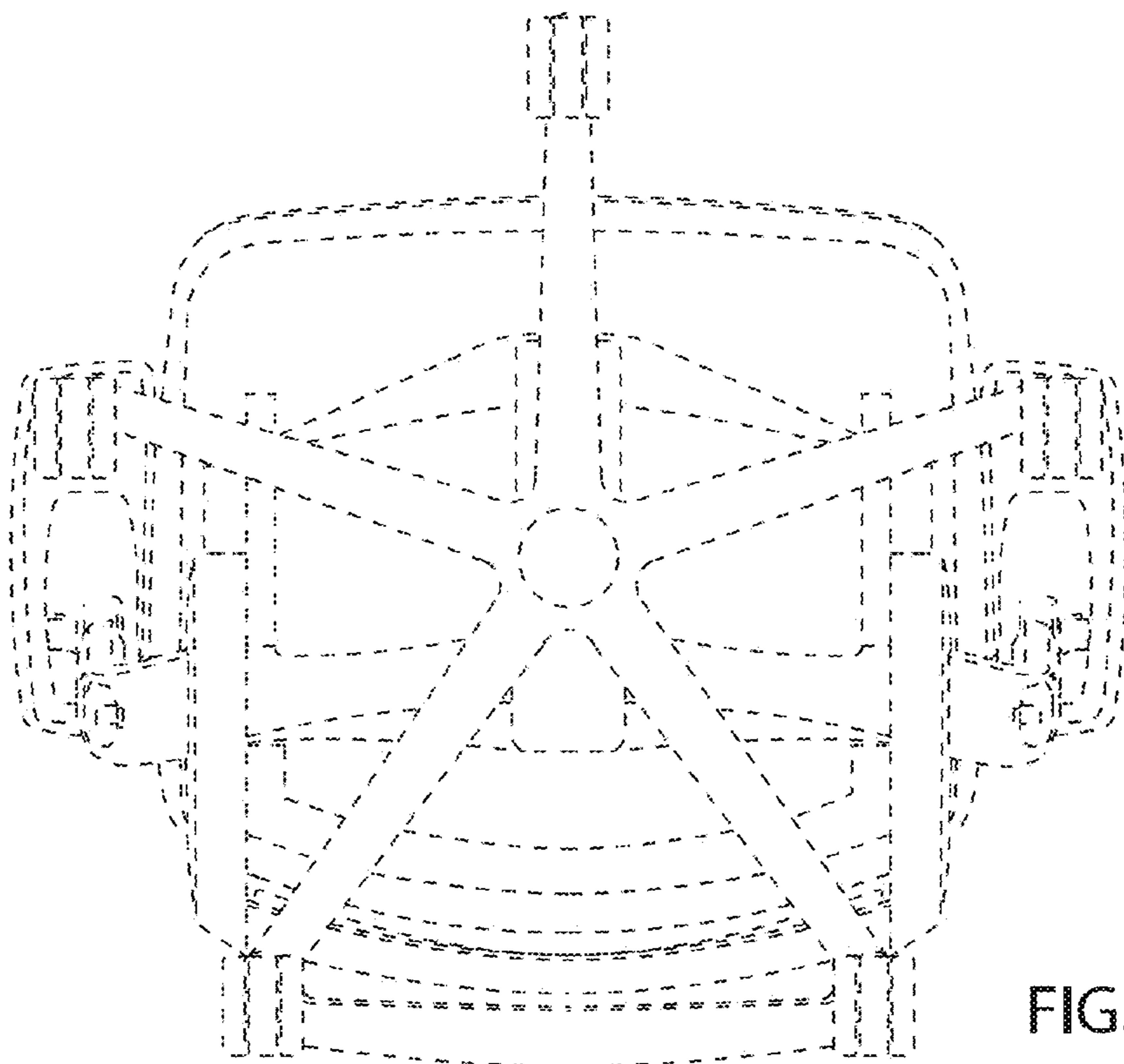


FIG. 7