



US00D703986S

(12) **United States Design Patent**  
**Ogawa**

(10) **Patent No.:** **US D703,986 S**

(45) **Date of Patent:** **\*\* May 6, 2014**

(54) **KITCHEN COUNTER**

(71) Applicant: **Hirohisa Ogawa, Zushi (JP)**

(72) Inventor: **Hirohisa Ogawa, Zushi (JP)**

(\*\*) Term: **14 Years**

(21) Appl. No.: **29/461,199**

(22) Filed: **Jul. 19, 2013**

D327,789 S *	7/1992	Caturla et al.	.....	D6/422
D336,185 S *	6/1993	Deinen et al.	.....	D6/486
D342,634 S *	12/1993	Barlow-Lawson	.....	D6/511
D370,571 S *	6/1996	Newhouse et al.	.....	D6/429
D379,874 S *	6/1997	Stirling et al.	.....	D6/338
D401,791 S *	12/1998	Schwab	.....	D6/486
D414,634 S *	10/1999	Smith et al.	.....	D6/511
D429,087 S *	8/2000	Gilbert	.....	D6/422
D430,425 S *	9/2000	Hazen et al.	.....	D6/438
D439,439 S *	3/2001	Hazen et al.	.....	D6/441
D440,798 S *	4/2001	Kuhlman et al.	.....	D6/511
D450,949 S *	11/2001	Grabowski et al.	.....	D6/480
D451,303 S *	12/2001	Lee	.....	D6/446

(Continued)

**Related U.S. Application Data**

(62) Division of application No. 29/399,512, filed on Aug. 15, 2011.

*Primary Examiner* — Cathron Brooks

*Assistant Examiner* — Sydney Buffalow

(30) **Foreign Application Priority Data**

Feb. 25, 2011	(JP)	.....	2011-004214
Feb. 25, 2011	(JP)	.....	2011-004215
Feb. 25, 2011	(JP)	.....	2011-004216
Feb. 25, 2011	(JP)	.....	2011-004217

(74) *Attorney, Agent, or Firm* — Strategy IP, a professional law corp

(57) **CLAIM**

The ornamental design for a kitchen counter, as shown and described.

(51) **LOC (10) Cl.** ..... **06-02**

(52) **U.S. Cl.**  
USPC ..... **D6/707.22**

(58) **Field of Classification Search**  
USPC ..... D6/707.2, 691.6, 651, 406.3, 708, 650,  
D6/707, 705, 697.2, 696.2; 108/150, 152,  
108/153.1, 157.1, 161, 43; D7/698;  
D21/397, 484; 248/188, 188.1, 188.8;  
126/211; 414/12; D18/40

See application file for complete search history.

**DESCRIPTION**

FIG. 1 is a front, top, and right side perspective view of a kitchen counter, showing my new design;  
FIG. 2 is a rear, top and right side perspective view thereof;  
FIG. 3 is a front elevational view thereof;  
FIG. 4 is a rear elevational view thereof;  
FIG. 5 is a top plan view thereof;  
FIG. 6 is a bottom plan view thereof;  
FIG. 7 is a right side elevational view thereof; the opposite side being a mirror image thereof;  
FIG. 8 is a cross-sectional view thereof, taken along the line 8-8 in FIG. 2; and,  
FIG. 9 is a cross-sectional view thereof, taken along the line 9-9 in FIG. 2.

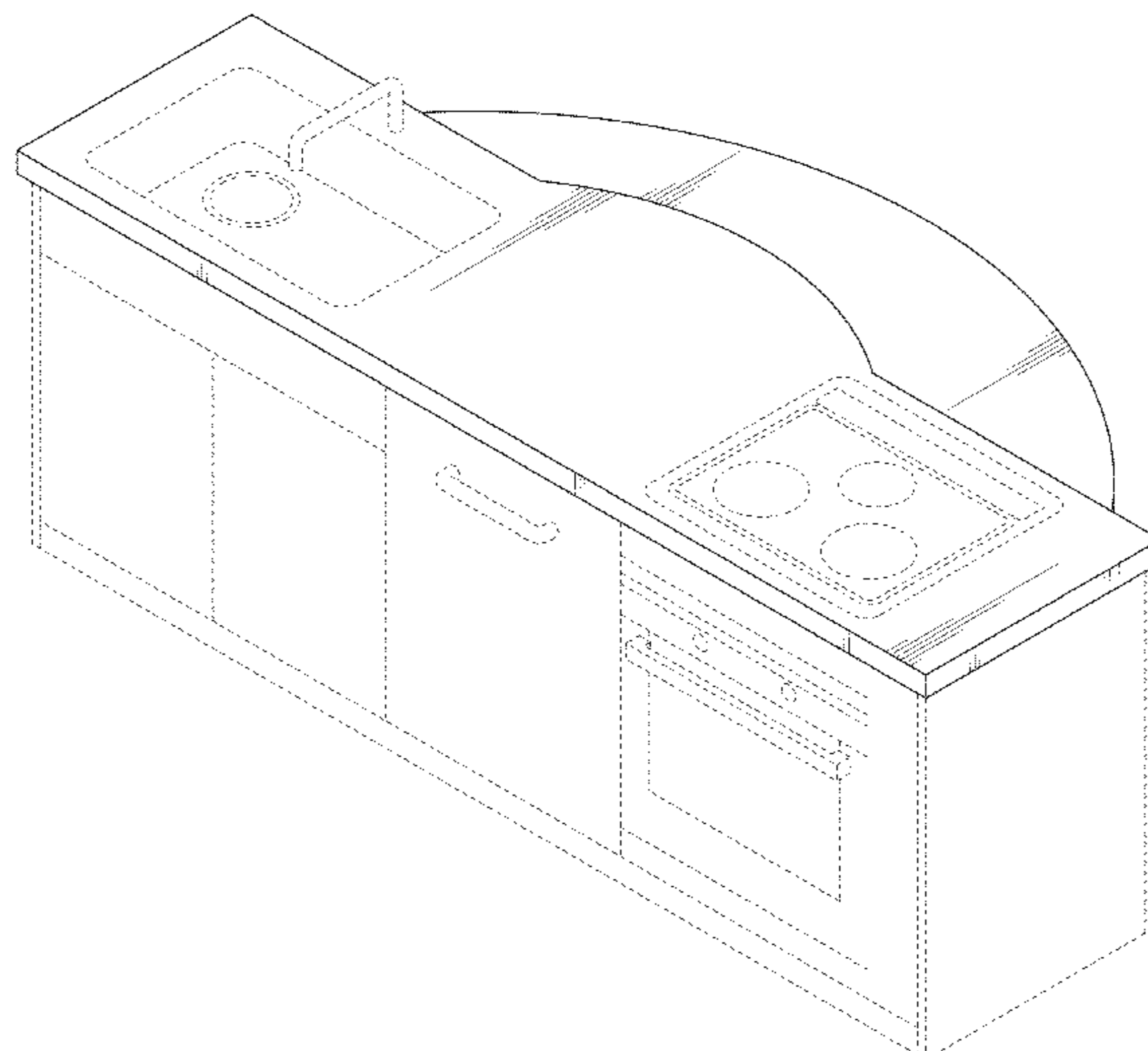
The broken lines shown are included for the purpose of illustrating the environment in which the article resides and form no part of the claimed design.

(56) **References Cited**

**U.S. PATENT DOCUMENTS**

D165,584 S *	1/1952	Johnson	.....	D6/482
D166,360 S *	4/1952	Shin	.....	D6/482
D207,713 S *	5/1967	Sullivan	.....	D6/511
D289,833 S *	5/1987	Stravitz	.....	D6/407
D295,244 S *	4/1988	Bauman	.....	D6/438
D314,288 S *	2/1991	Andrews	.....	D6/422

**1 Claim, 9 Drawing Sheets**



(56)

**References Cited**

U.S. PATENT DOCUMENTS

D452,088 S *	12/2001	Hokanson .....	D6/446	D599,134 S *	9/2009	Jeup .....	D6/441
D459,121 S *	6/2002	Smith .....	D6/511	D599,895 S *	9/2009	Heinz et al. ....	D23/286
6,463,862 B1 *	10/2002	Kuhlman et al. ....	108/50.01	D604,529 S *	11/2009	Bloch et al. ....	D6/422
D467,266 S *	12/2002	Nagele .....	D18/56	D610,380 S *	2/2010	Momeny .....	D6/511
D479,417 S *	9/2003	Couture et al. ....	D6/511	D615,324 S *	5/2010	Yamamoto .....	D6/482
D483,962 S *	12/2003	Stanton .....	D6/441	D616,676 S *	6/2010	Toshima .....	D6/495
D495,540 S *	9/2004	Lipsztein .....	D6/511	D620,731 S *	8/2010	Ogawa .....	D6/511
D495,541 S *	9/2004	Lipsztein .....	D6/511	D626,361 S *	11/2010	Ogawa .....	D6/511
D495,543 S *	9/2004	Lipsztein .....	D6/511	D627,997 S *	11/2010	Ogawa .....	D6/511
D525,288 S *	7/2006	Rieck .....	D18/40	D665,191 S *	8/2012	Yamamoto .....	D6/429
D529,100 S *	9/2006	Fischer .....	D21/369	D669,282 S *	10/2012	Yamamoto .....	D6/429
				D672,163 S *	12/2012	Wells et al. ....	D6/406.3
				2007/0169770 A1 *	7/2007	Kuwamura .....	126/211
				2009/0180843 A1 *	7/2009	Jackson et al. ....	414/12

\* cited by examiner

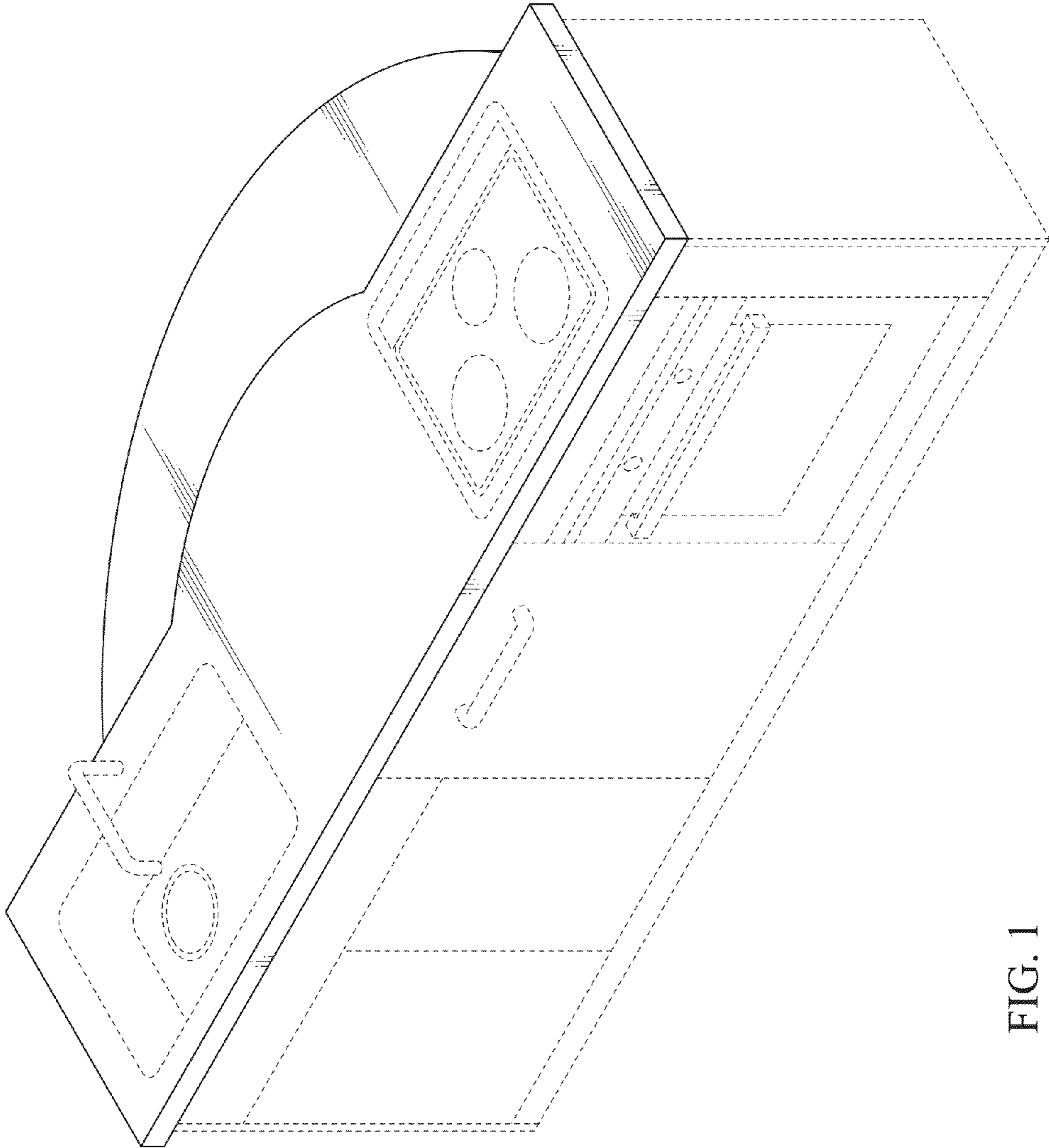


FIG. 1

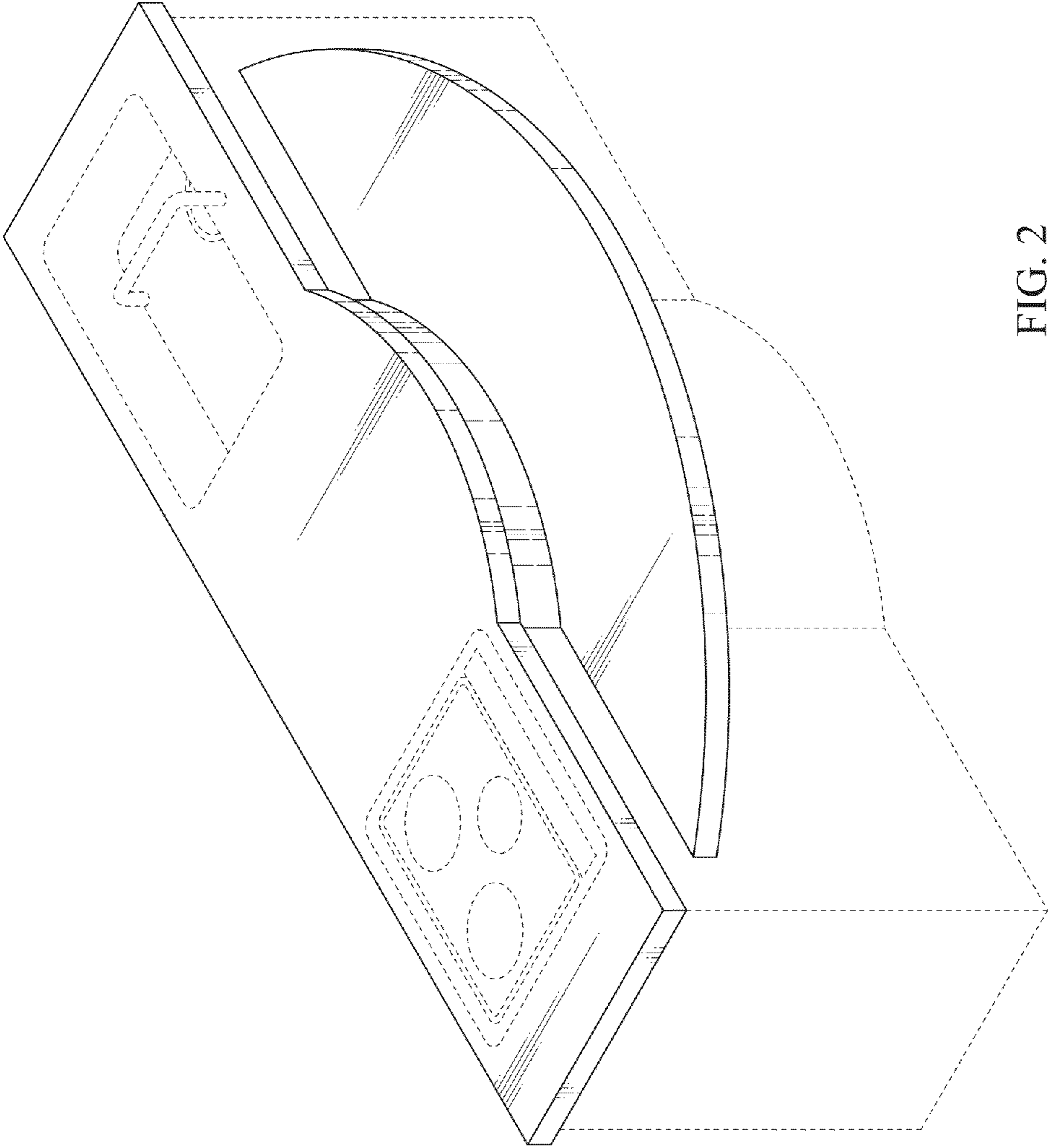


FIG. 2

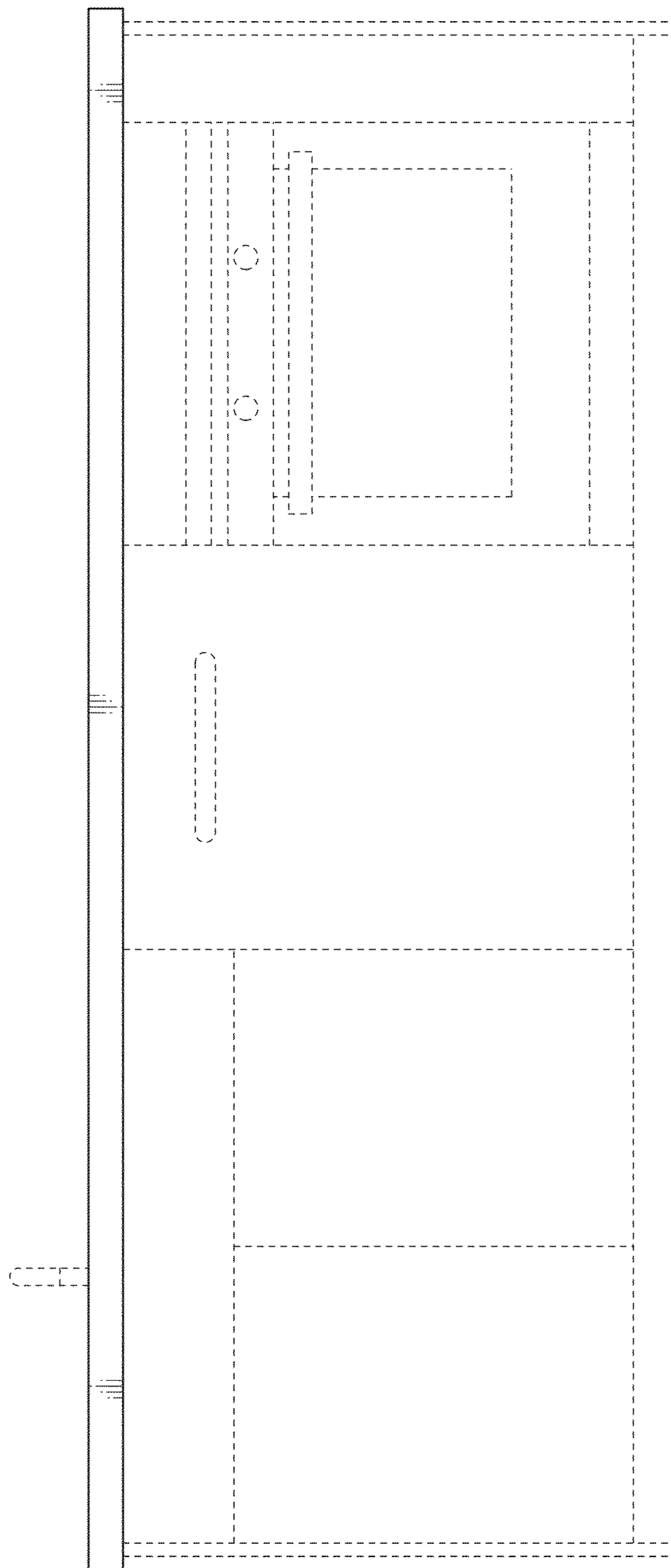


FIG. 3

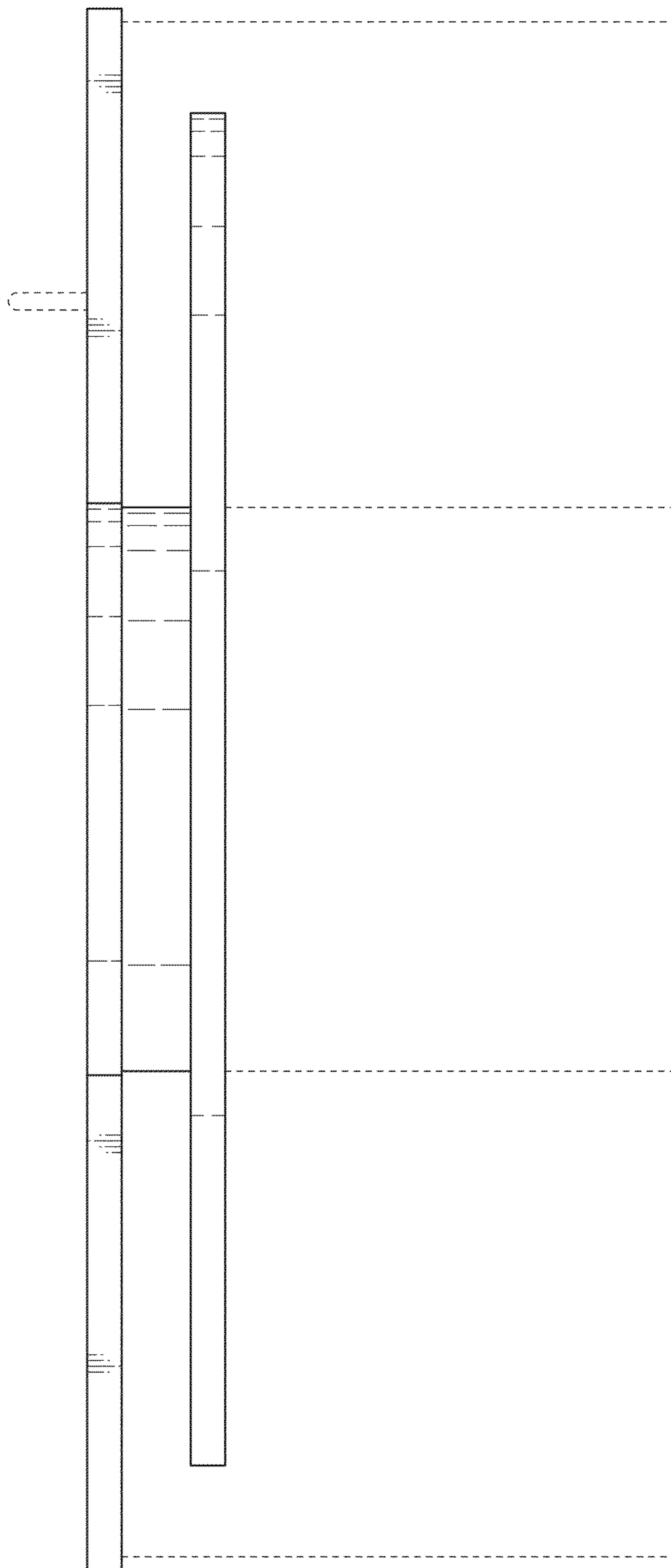


FIG. 4

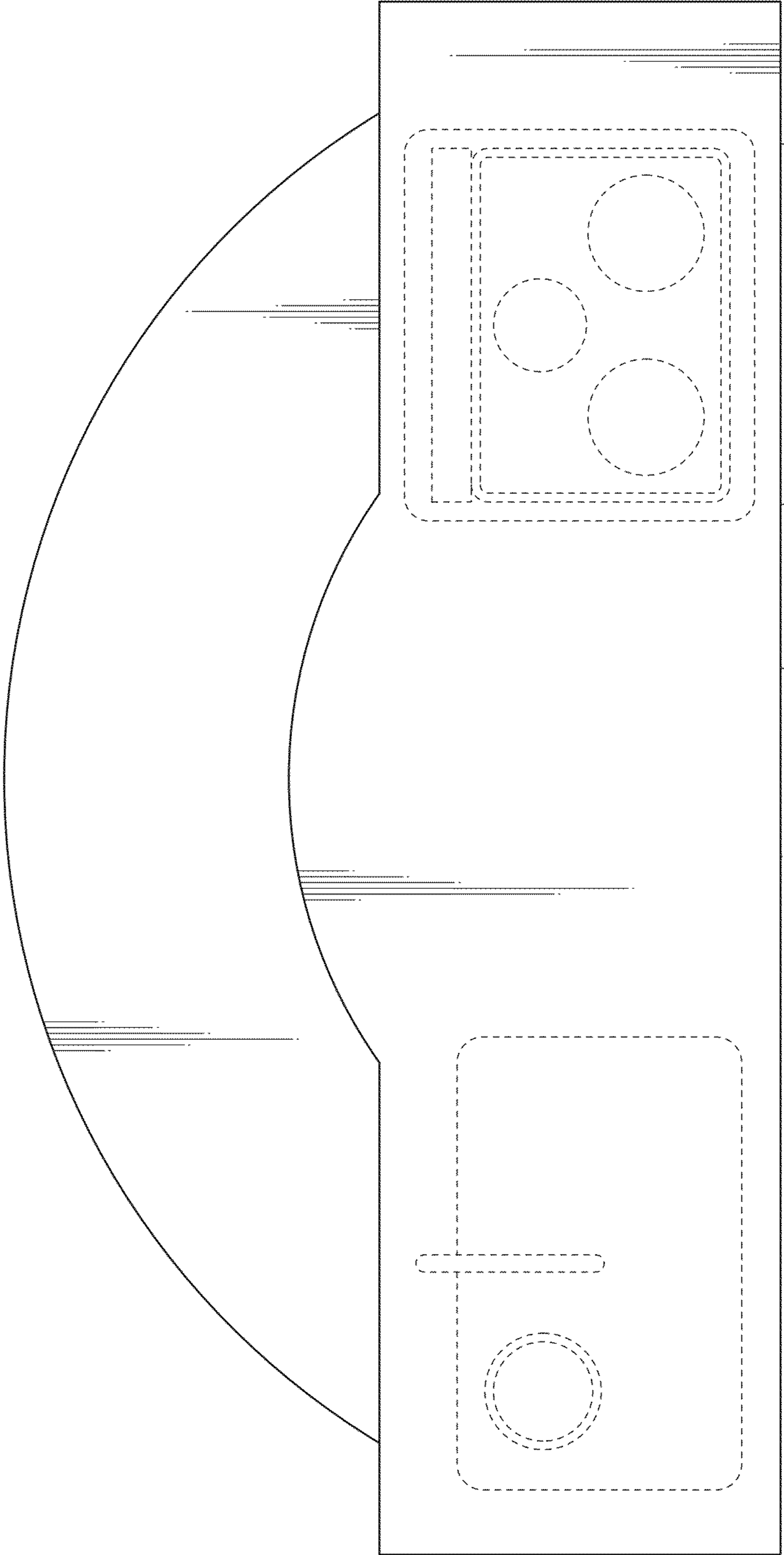


FIG. 5

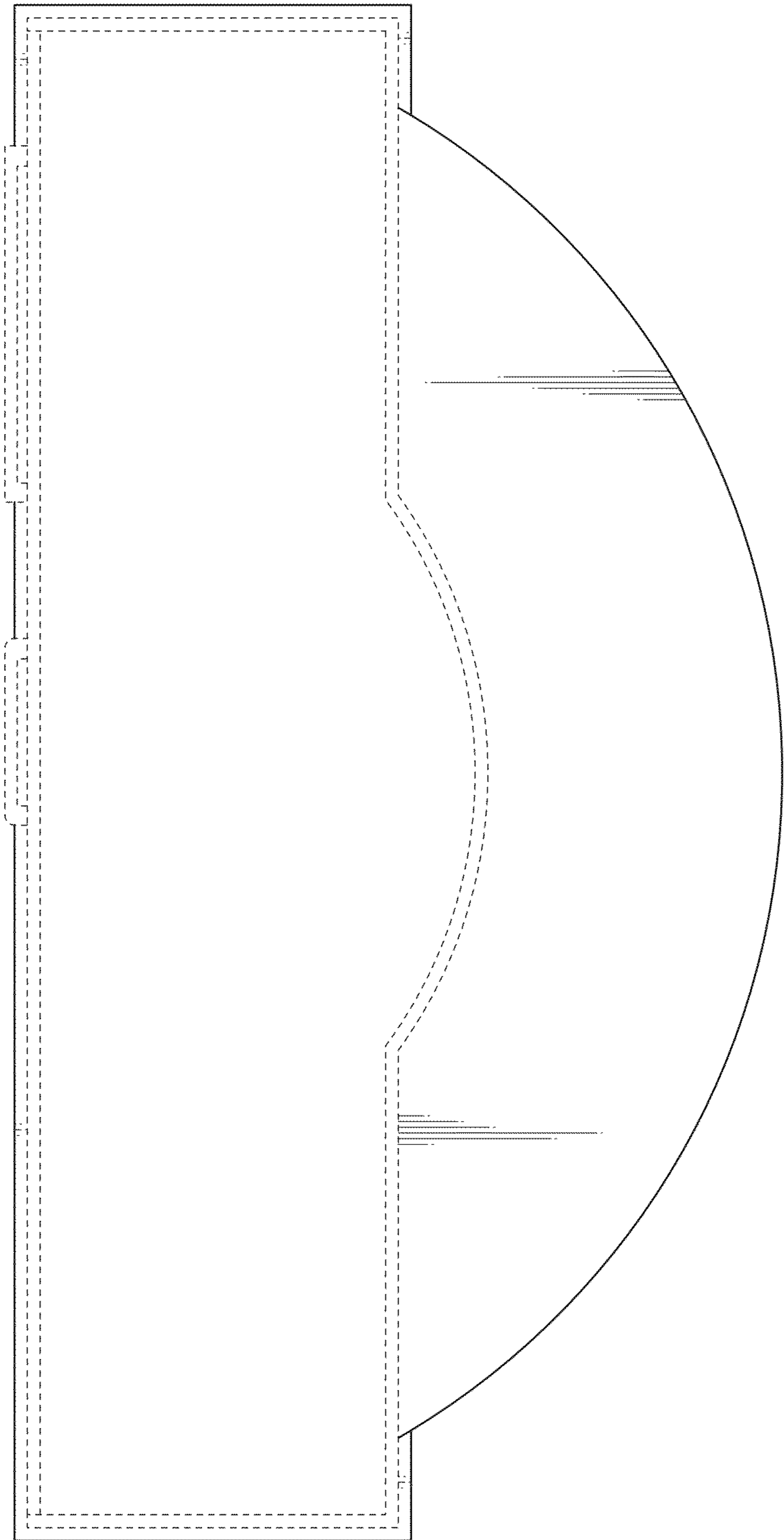


FIG. 6



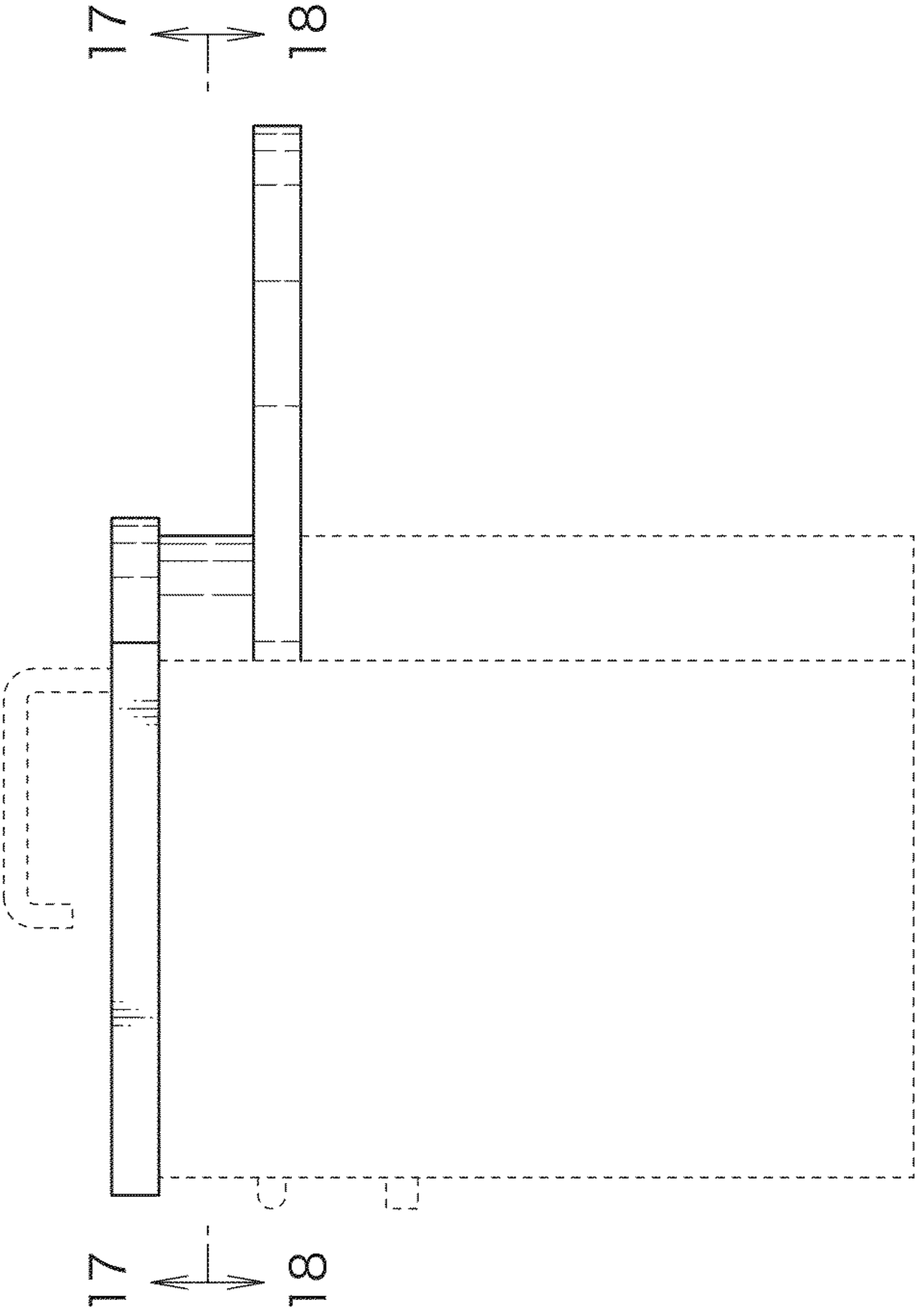


FIG. 7

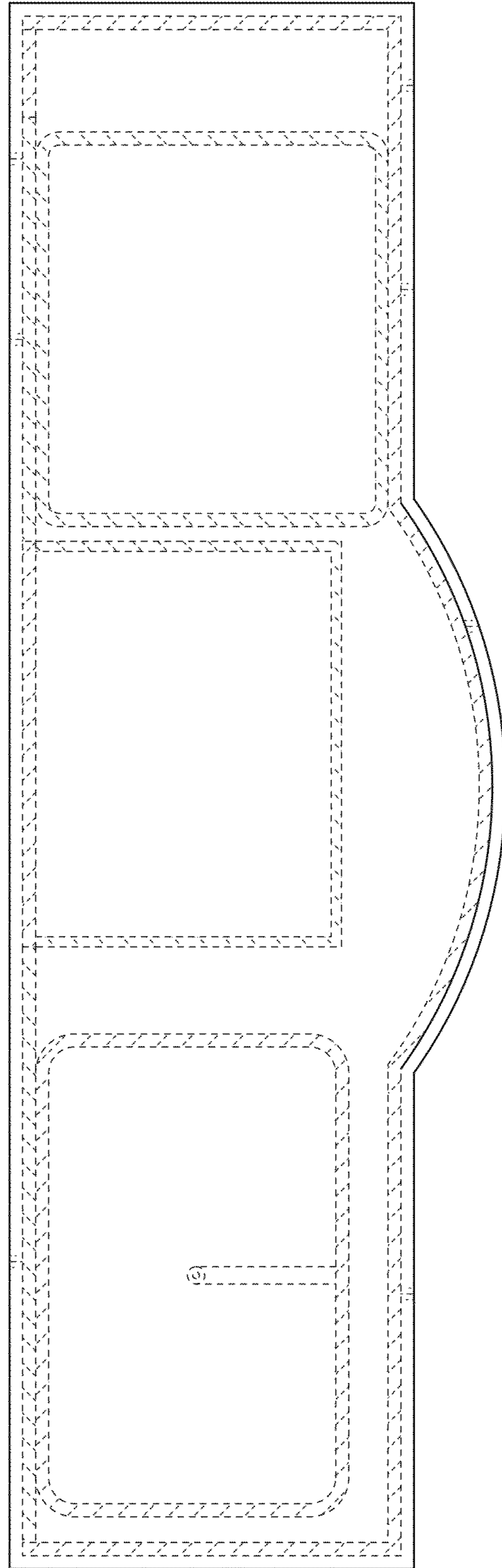


FIG. 8

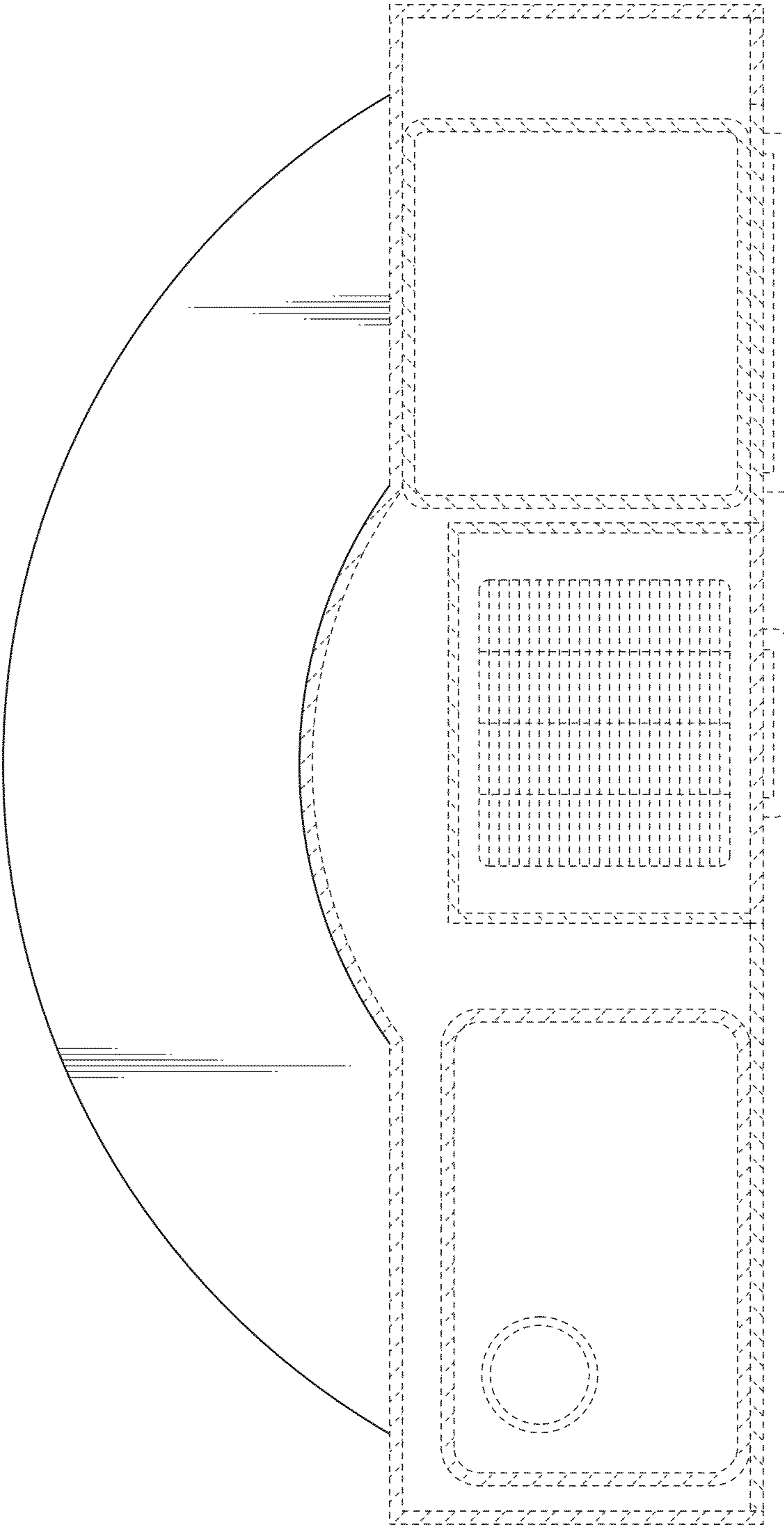


FIG. 9