

US00D703985S

(12) **United States Design Patent**  
**Ogawa**

(10) **Patent No.:** **US D703,985 S**

(45) **Date of Patent:** **\*\* May 6, 2014**

(54) **KITCHEN COUNTER**

(71) Applicant: **Hirohisa Ogawa, Zushi (JP)**

(72) Inventor: **Hirohisa Ogawa, Zushi (JP)**

(\*\*) Term: **14 Years**

(21) Appl. No.: **29/452,238**

(22) Filed: **Apr. 13, 2013**

**Related U.S. Application Data**

(62) Division of application No. 29/390,554, filed on Apr. 26, 2011, now Pat. No. Des. 694,052.

(30) **Foreign Application Priority Data**

Oct. 27, 2010	(JP)	.....	2010-025844
Oct. 27, 2010	(JP)	.....	2010-025845
Oct. 27, 2010	(JP)	.....	2010-025846
Oct. 27, 2010	(JP)	.....	2010-025847

(51) **LOC (10) Cl.** ..... **06-02**

(52) **U.S. Cl.**  
USPC ..... **D6/707.22**

(58) **Field of Classification Search**  
USPC ..... D6/707.2, 691.6, 651, 406.3, 708, 650,  
D6/707, 705, 697.2, 696.2; 108/150, 152,  
108/153.1, 157.1, 161, 43; D7/698;  
D21/397, 484; 248/188, 188.1, 188.8;  
126/211; 414/12; D18/40  
See application file for complete search history.

(56) **References Cited**

**U.S. PATENT DOCUMENTS**

D165,584 S *	1/1952	Johnson	.....	D6/482
D166,360 S *	4/1952	Shin	.....	D6/482
D170,094 S *	7/1953	Schmitt	.....	D23/286
D207,713 S *	5/1967	Sullivan	.....	D6/511
D342,634 S *	12/1993	Barlow-Lawson	.....	D6/511
D401,791 S *	12/1998	Schwab	.....	D6/486
D414,634 S *	10/1999	Smith et al.	.....	D6/511

D429,087 S *	8/2000	Gilbert	.....	D6/422
D440,798 S *	4/2001	Kuhlman et al.	.....	D6/511
D450,949 S *	11/2001	Grabowski et al.	.....	D6/480
6,463,862 B1 *	10/2002	Kuhlman et al.	.....	108/50.01
D479,417 S *	9/2003	Couture et al.	.....	D6/511
D495,540 S *	9/2004	Lipsztein	.....	D6/511

(Continued)

**OTHER PUBLICATIONS**

<http://www.houzz.com/photos/4664183/Custom-Burmese-Teak-Wood-Countertop-in-Denver-modern-kitchen-countertops-new-york>.\*

(Continued)

*Primary Examiner* — Cathron Brooks

*Assistant Examiner* — Sydney Buffalow

(74) *Attorney, Agent, or Firm* — Strategy IP, a professional law corp.

(57) **CLAIM**

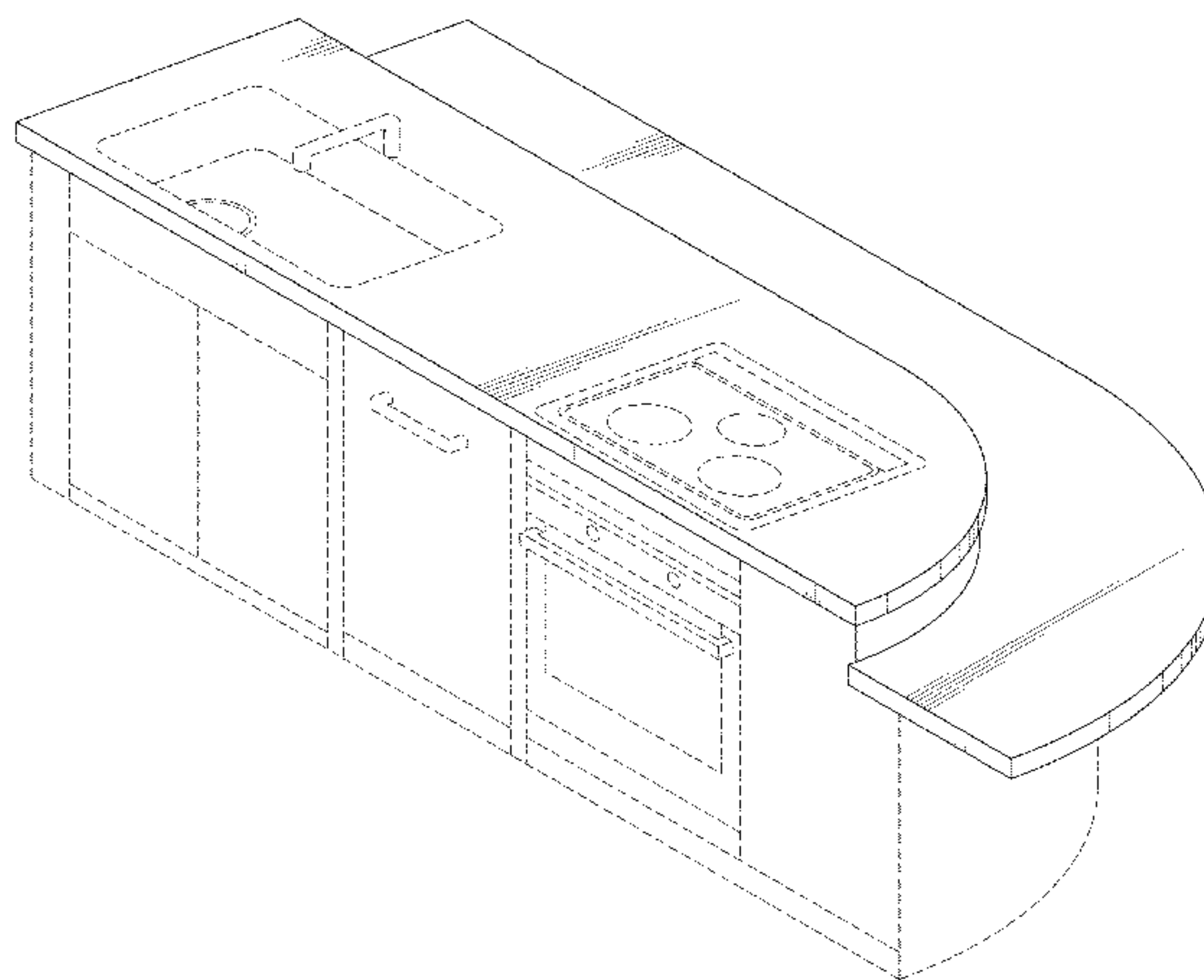
The ornamental design for a kitchen counter, as shown and described.

**DESCRIPTION**

FIG. 1 is a front, top, and right side perspective view of a kitchen counter, showing my new design;  
FIG. 2 is a front elevational view thereof;  
FIG. 3 is a rear elevational view thereof;  
FIG. 4 is a top plan view thereof;  
FIG. 5 is a bottom plan view thereof;  
FIG. 6 is a right side elevational view thereof;  
FIG. 7 is a left side elevational view thereof;  
FIG. 8 is a cross-sectional view thereof, taken along the line 8-8 in FIG. 2; and,  
FIG. 9 is a cross-sectional view thereof, taken along the line 9-9 in FIG. 2.

The broken lines shown are included for the purpose of illustrating the environment in which the article resides and form no part of the claimed design.

**1 Claim, 8 Drawing Sheets**



(56)

**References Cited**

U.S. PATENT DOCUMENTS

D495,541 S \* 9/2004 Lipsztein ..... D6/511  
D495,543 S \* 9/2004 Lipsztein ..... D6/511  
D525,288 S \* 7/2006 Rieck ..... D18/40  
D529,100 S \* 9/2006 Fischer ..... D21/369  
D610,380 S \* 2/2010 Momeny ..... D6/511  
D615,324 S \* 5/2010 Yamamoto ..... D6/482  
D616,676 S \* 6/2010 Toshima ..... D6/495  
D620,731 S \* 8/2010 Ogawa ..... D6/511  
D626,361 S \* 11/2010 Ogawa ..... D6/511  
D627,997 S \* 11/2010 Ogawa ..... D6/511  
D660,624 S \* 5/2012 Ogawa ..... D6/511

D661,143 S \* 6/2012 Ogawa ..... D6/511  
D664,385 S \* 7/2012 Ogawa ..... D6/511  
D665,191 S \* 8/2012 Yamamoto ..... D6/429  
D669,282 S \* 10/2012 Yamamoto ..... D6/429  
D672,163 S \* 12/2012 Wells et al. .... D6/406.3  
2007/0169770 A1 \* 7/2007 Kuwamura ..... 126/211  
2009/0180843 A1 \* 7/2009 Jackson et al. .... 414/12

OTHER PUBLICATIONS

<http://www.houzz.com/photos/568522/Granite-Countertops-temporary-kitchen-countertops-chicago>.\*

\* cited by examiner

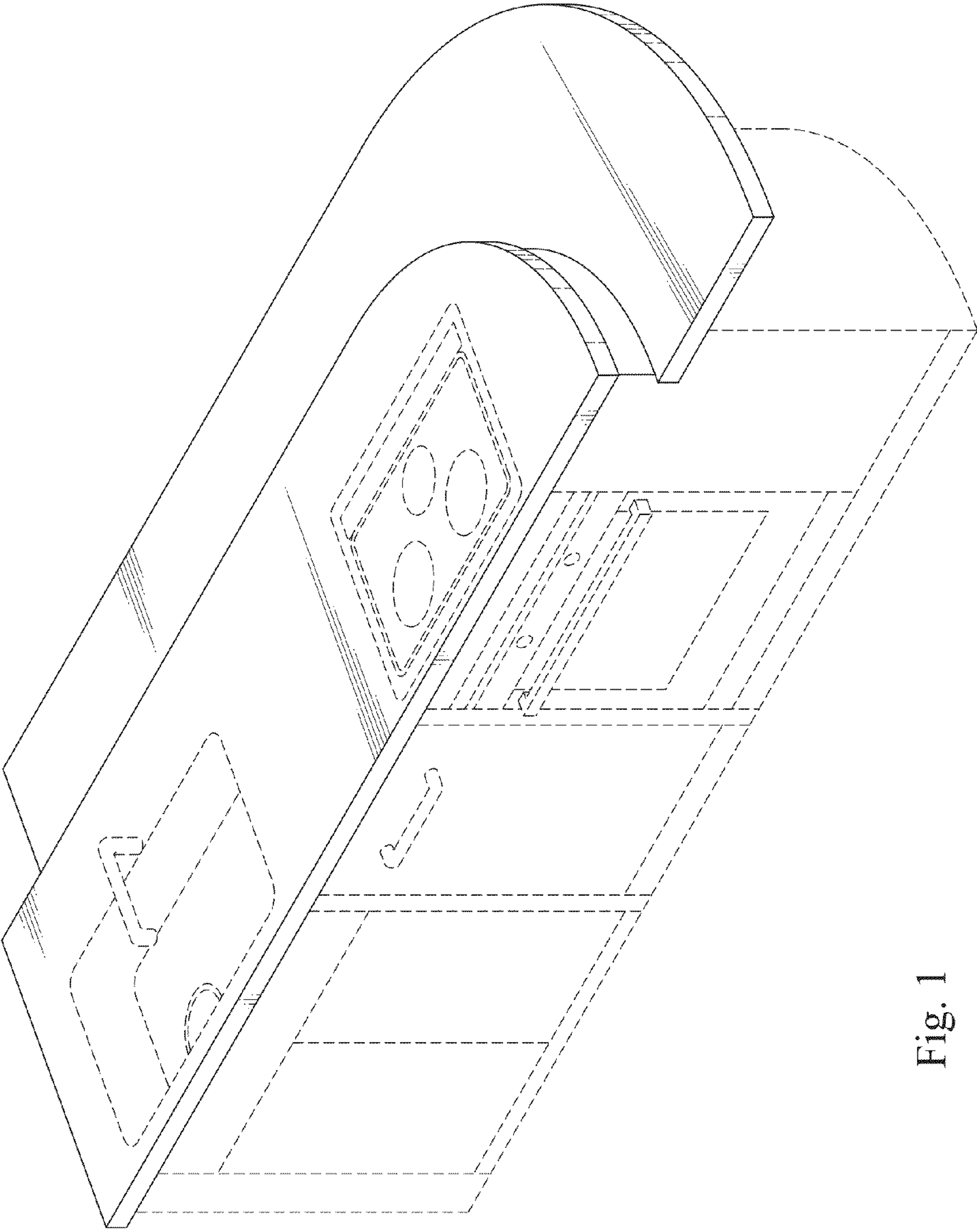


Fig. 1

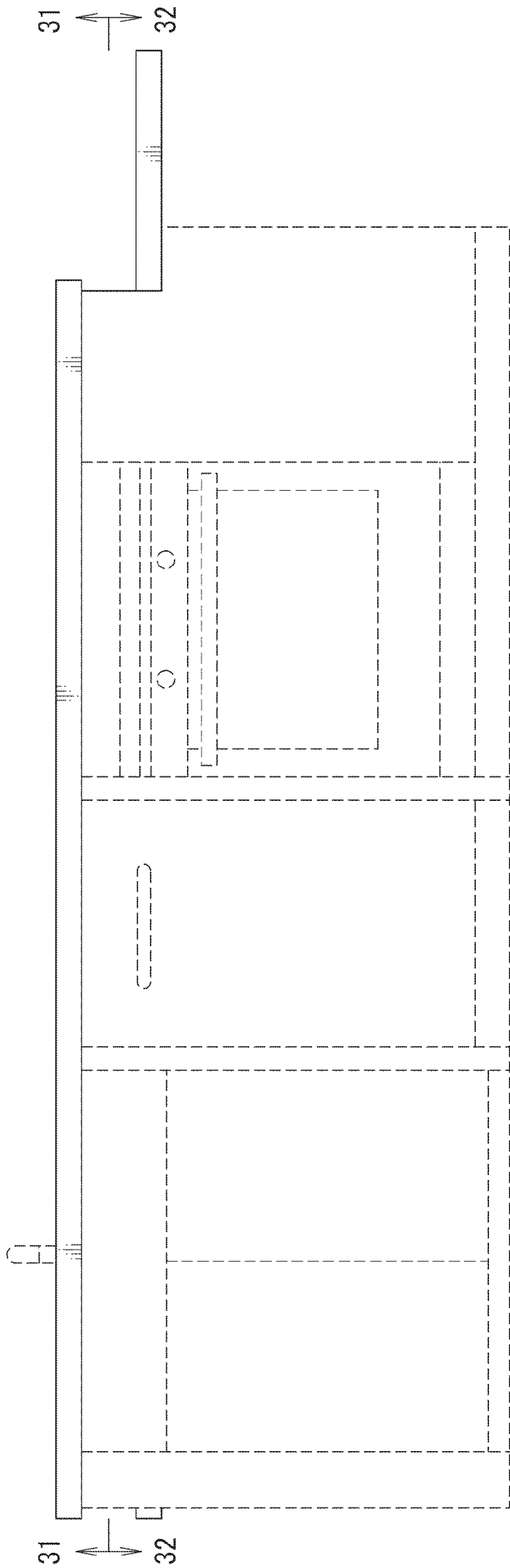


Fig. 2

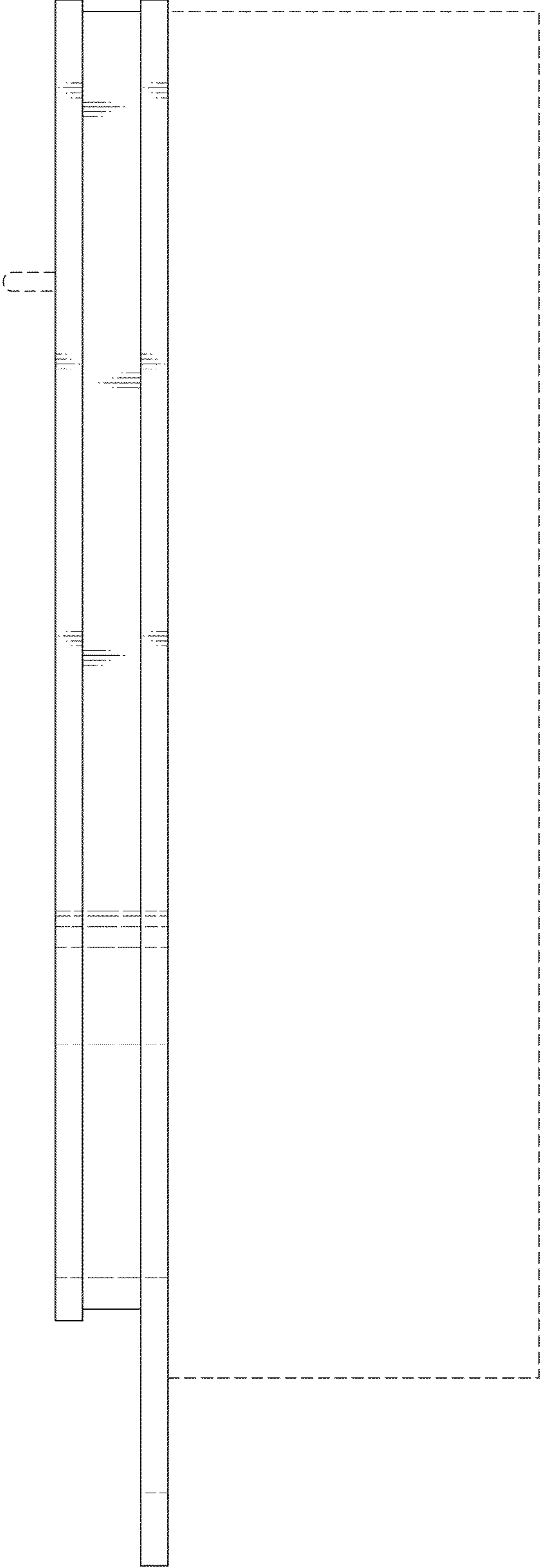


Fig. 3

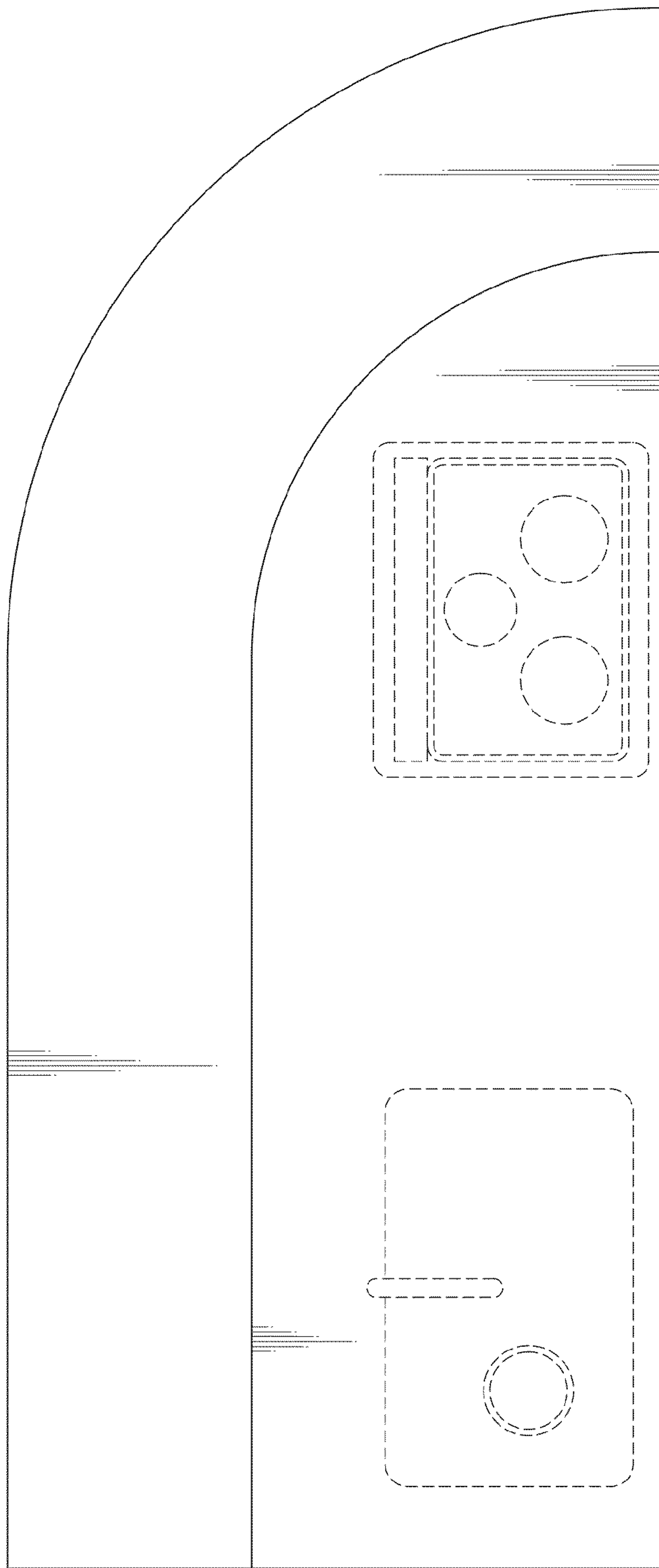


Fig. 4



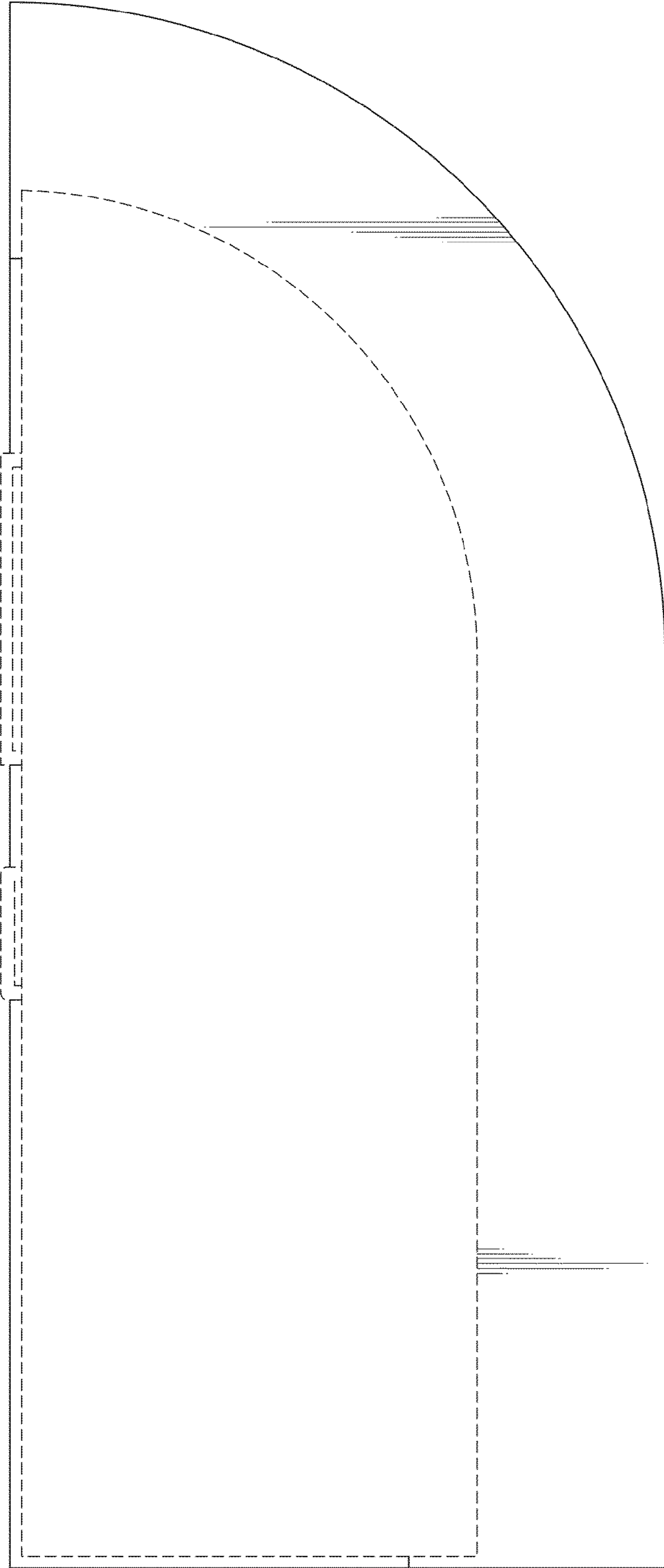


Fig. 5

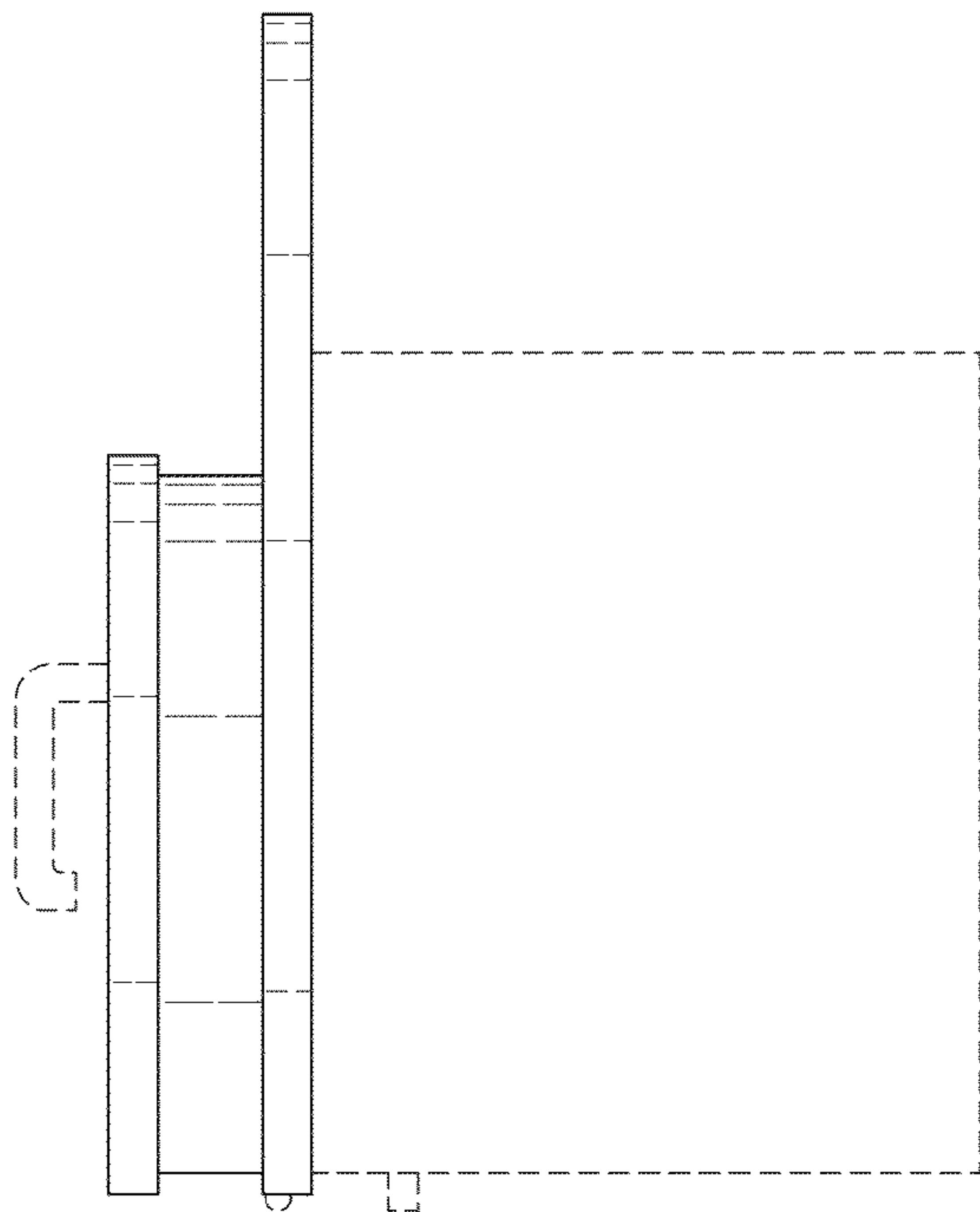


Fig. 6

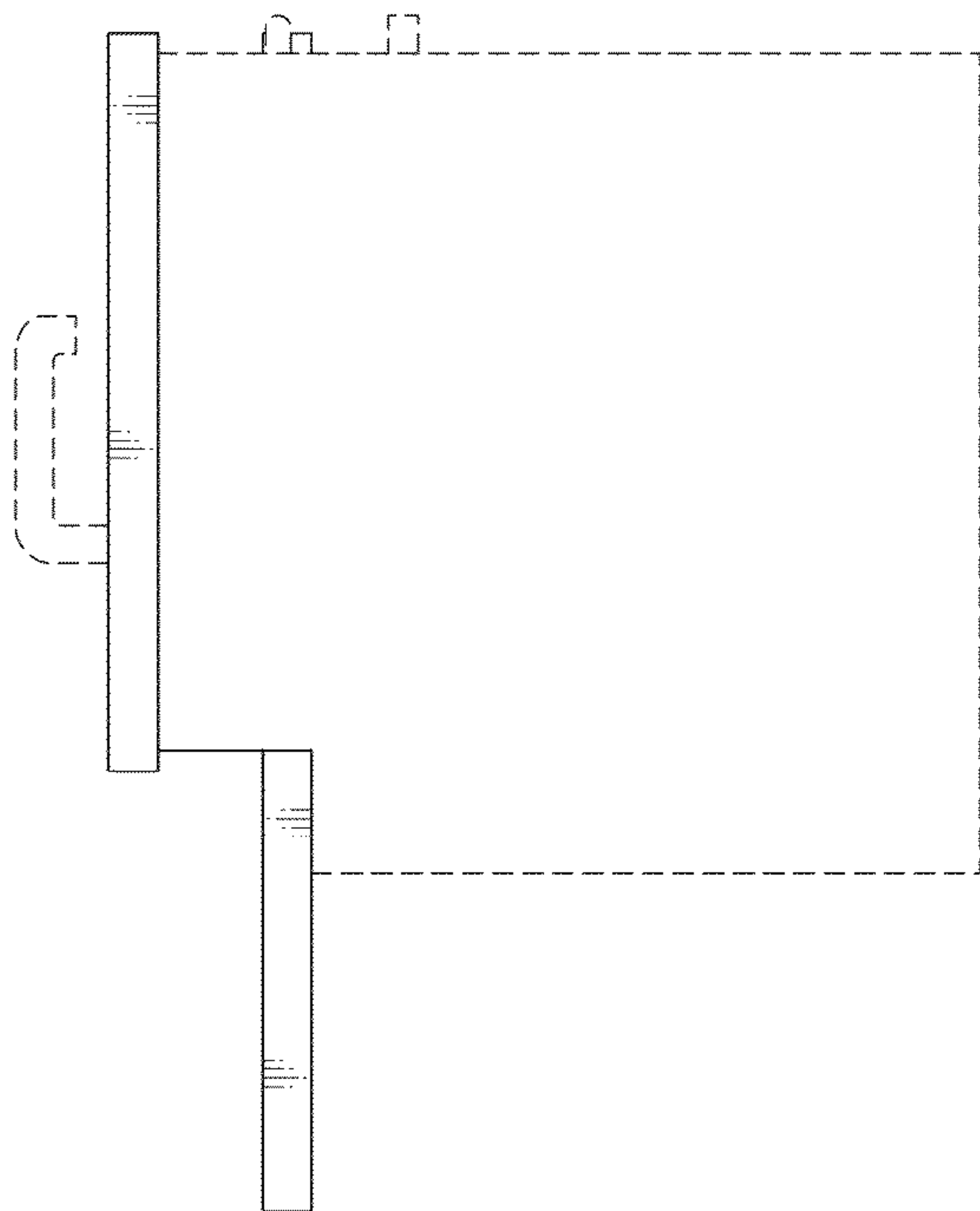


Fig. 7



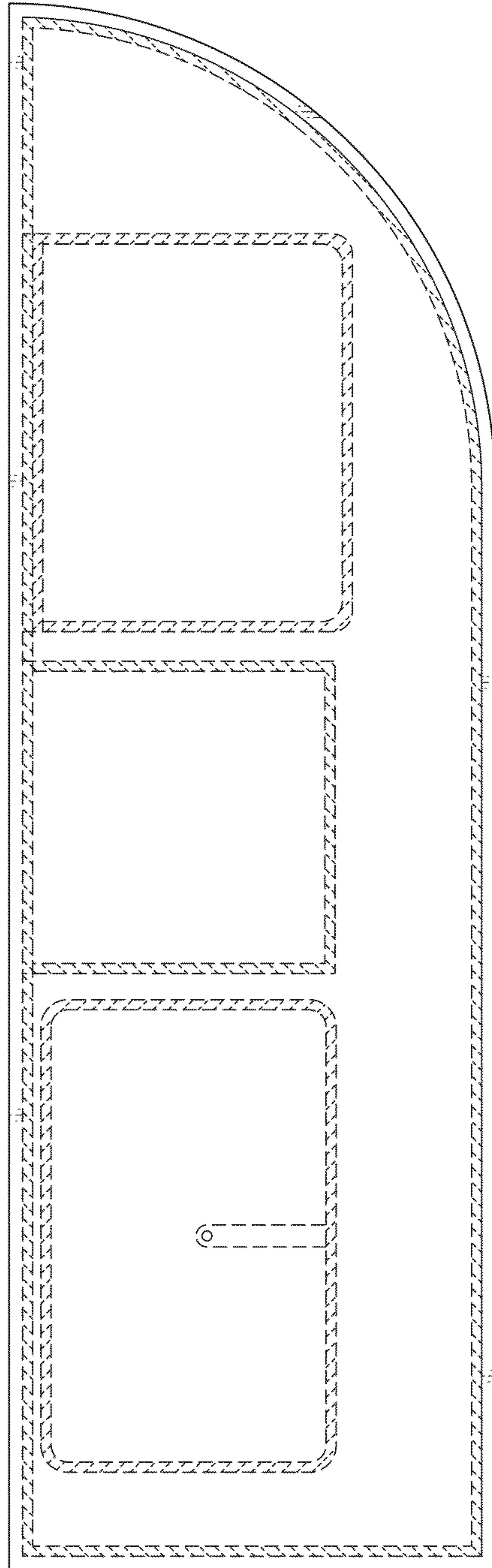


Fig. 8

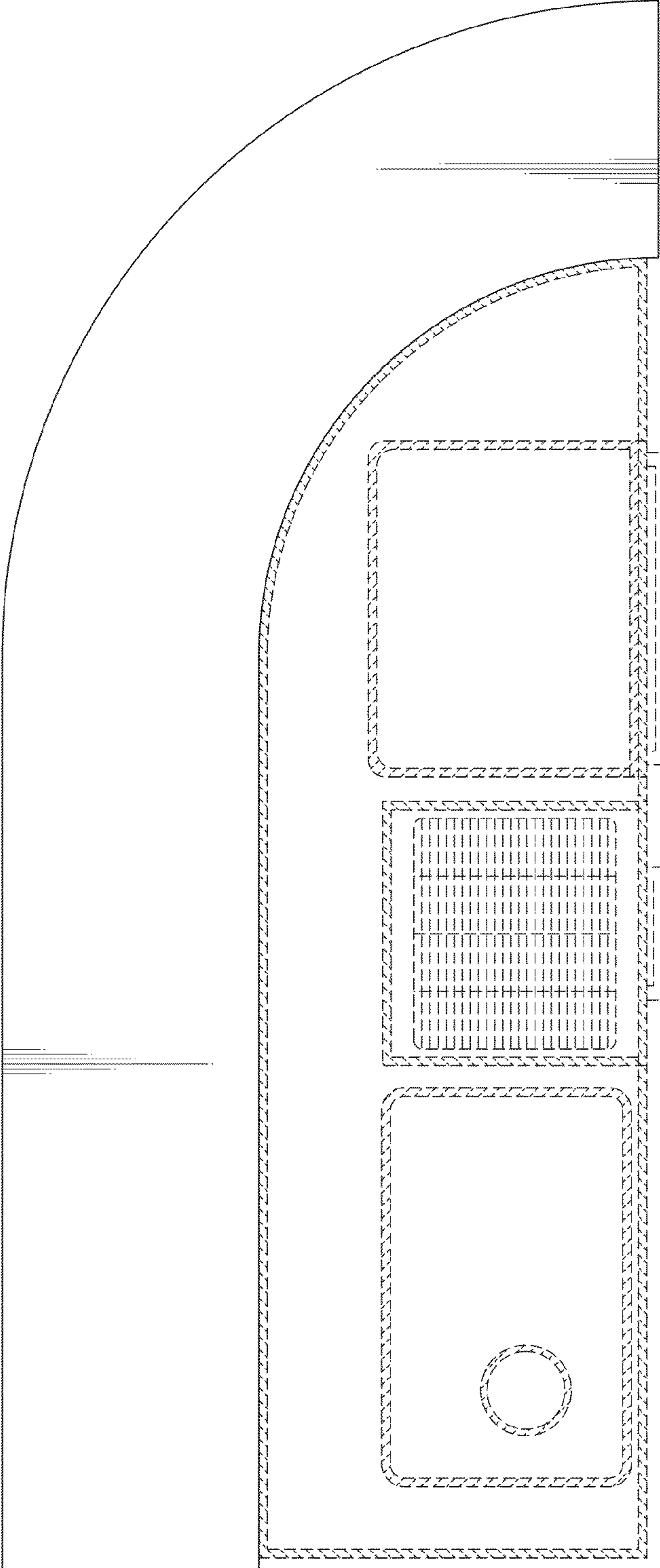


Fig. 9