



US00D703984S

(12) **United States Design Patent**
Nasseri et al.

(10) **Patent No.:** **US D703,984 S**
(45) **Date of Patent:** **** May 6, 2014**

(54) **INTERCONNECTABLE FURNITURE**

(75) Inventors: **Abbas Nasseri**, Temple, TX (US);
Kristen Dixon, Temple, TX (US)

(73) Assignee: **Mooreco, Inc.**, Temple, TX (US)

(**) Term: **14 Years**

(21) Appl. No.: **29/426,338**

(22) Filed: **Jul. 3, 2012**

(51) **LOC (10) Cl.** **06-06**

(52) **U.S. Cl.**

USPC **D6/707.22**

(58) **Field of Classification Search**

USPC D6/685, 686, 690, 691, 691.4, 691.5,
D6/691.8, 692, 692.1, 692.3, 692.4, 696,
D6/696.1, 696.3, 696.4, 696.5, 708,
D6/708.16, 708.17, 707.22; 108/150,
108/153.1, 156, 157.1, 158.11, 161;
248/188, 188.1, 188.7, 188.8

See application file for complete search history.

(56) **References Cited**

U.S. PATENT DOCUMENTS

D177,678	S	5/1956	Hvidt et al.	
3,053,598	A	9/1962	Cheslow	
3,955,850	A	5/1976	Toso	
D352,408	S *	11/1994	Hosoe	D6/482
5,676,068	A	10/1997	Kallander	
D411,776	S *	7/1999	Epp	D6/482
D419,798	S *	2/2000	Schacht et al.	D6/480
6,363,866	B1	4/2002	Schwartz	
D506,081	S *	6/2005	Moore	D6/349
7,555,989	B2	7/2009	Sherman	

* cited by examiner

Primary Examiner — Janice Seeger

(74) *Attorney, Agent, or Firm* — Nath, Goldberg & Meyer;
Jerald L. Meyer

(57) **CLAIM**

The ornamental design for interconnectable furniture, as shown and described.

DESCRIPTION

FIG. 1 is a top perspective view of the interconnectable furniture embodiment;

FIG. 2 is a top view of the interconnectable furniture design;

FIG. 3 is a bottom view of the interconnectable furniture design;

FIG. 4 is a front view of the interconnectable furniture design;

FIG. 5 is a rear view of the interconnectable furniture design;

FIG. 6 is a left side view of the interconnectable furniture design;

FIG. 7 is a right side of the interconnectable furniture design;

FIG. 8 is a top plan view showing the interconnectable furniture design in a configuration of three with all but one in broken lines for environmental purposes only and forming no part of the claimed design;

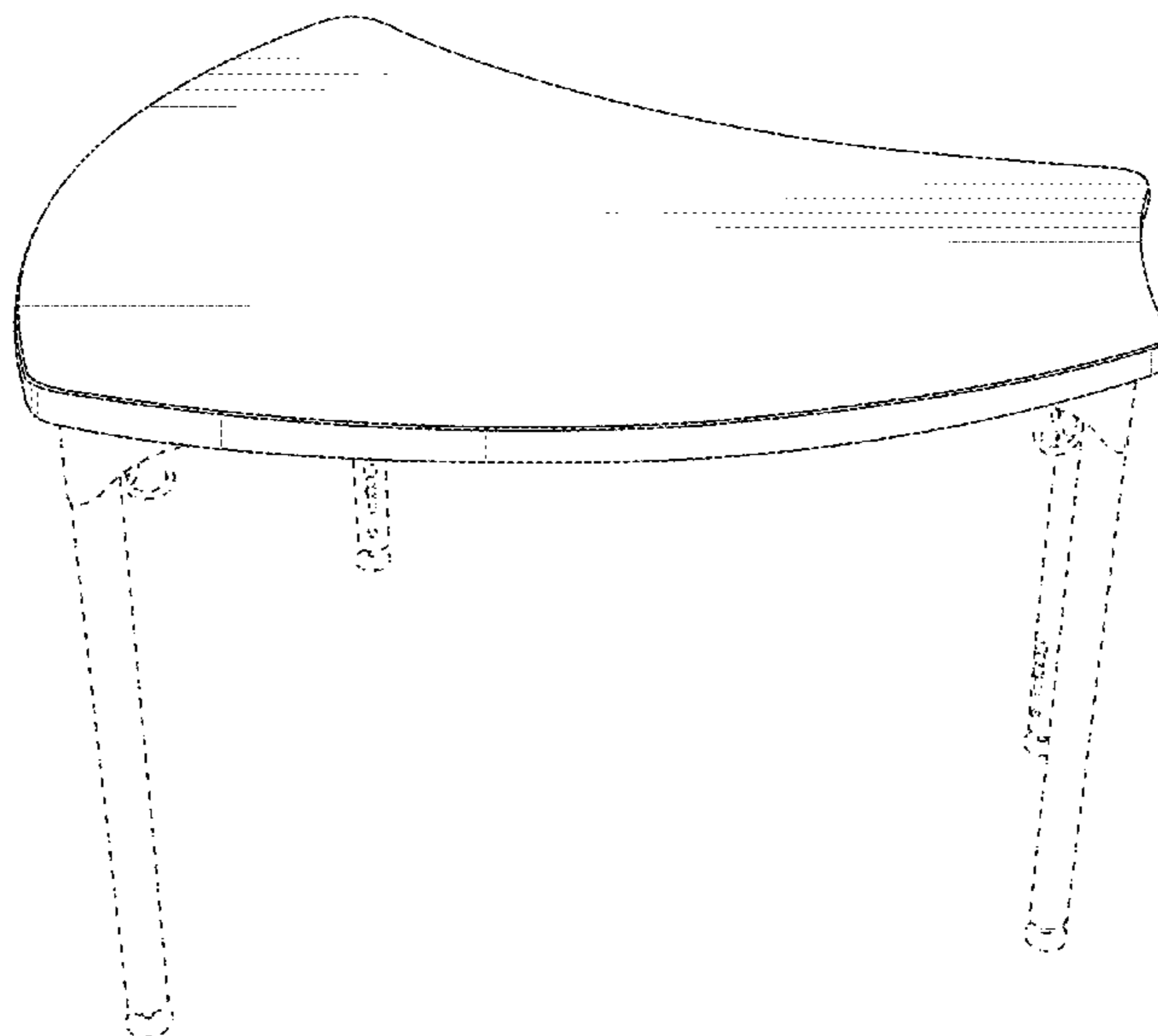
FIG. 9 is a top plan view showing the interconnectable furniture design in a configuration of four with all but one in broken lines for environmental purposes only and forming no part of the claimed design;

FIG. 10 is a top plan view showing the interconnectable furniture design in a configuration of five with all but one in broken lines for environmental purposes only and forming no part of the claimed design; and,

FIG. 11 is a top plan view showing the interconnectable furniture design in a configuration of ten with all but one in broken lines for environmental purposes only and forming no part of the claimed design.

Broken lines in the figures are used to depict structure that is not part of the claimed design, but is considered necessary to show the environment in which the design is associated.

1 Claim, 8 Drawing Sheets



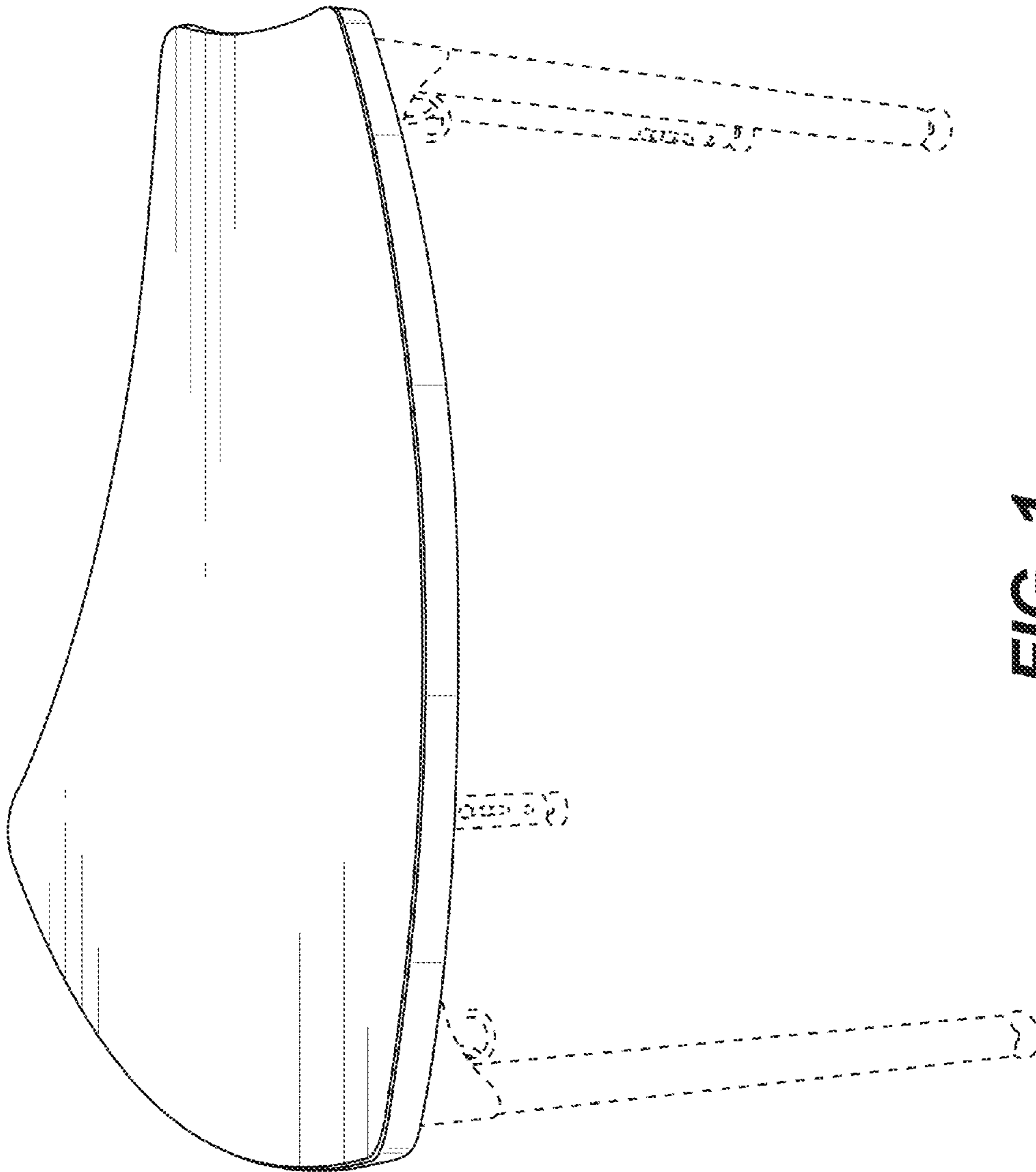


FIG. 1

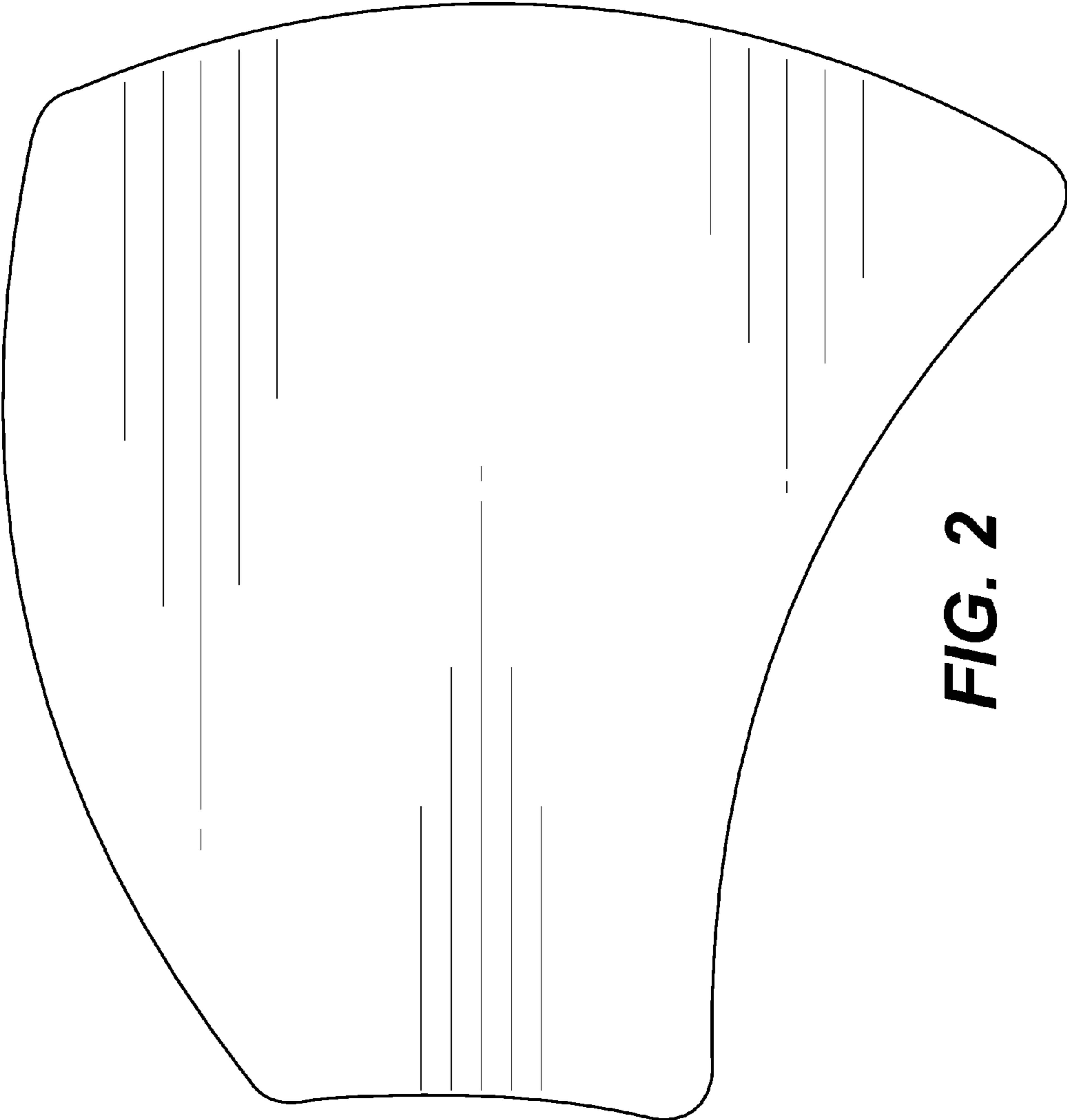


FIG. 2

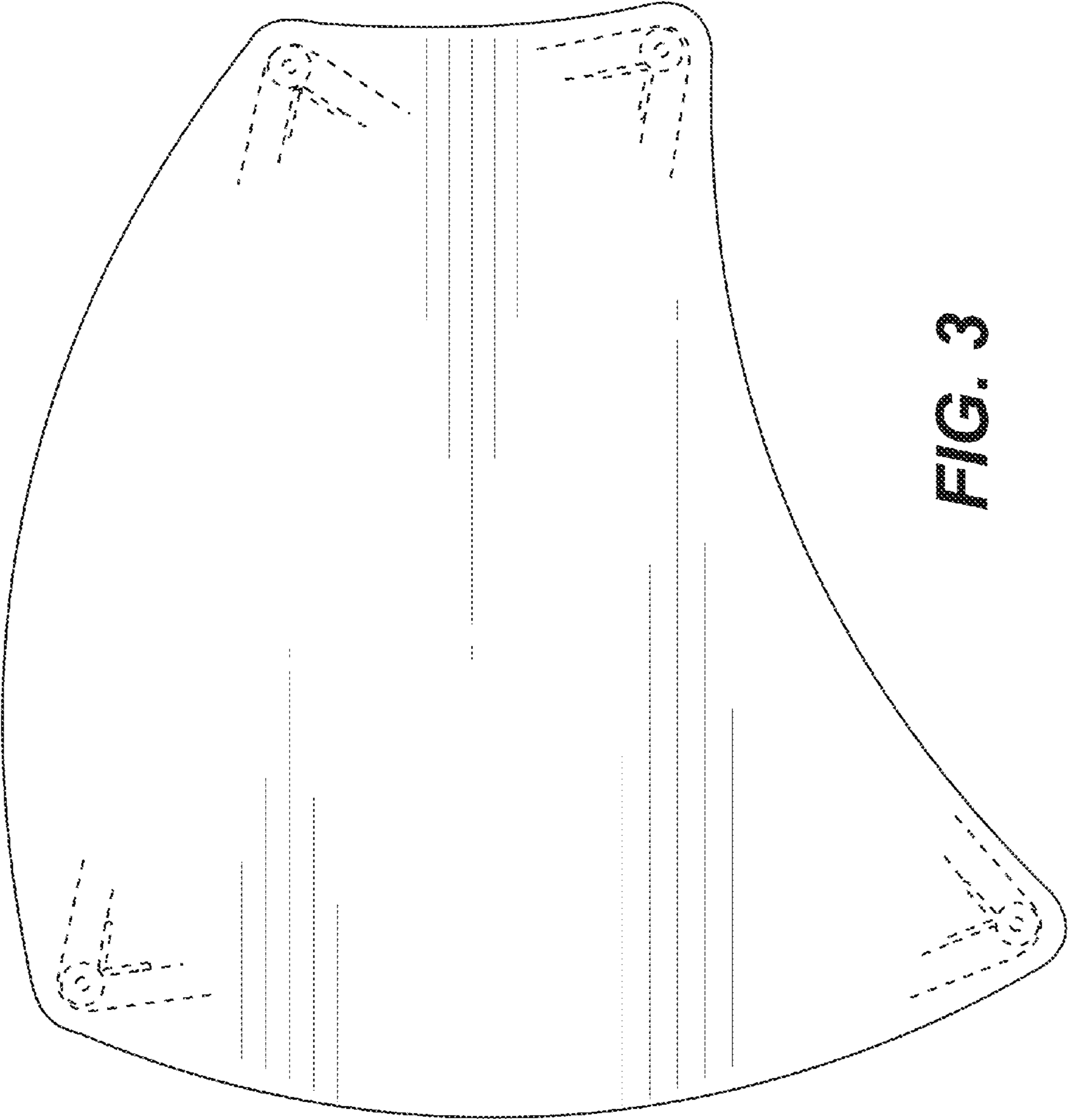


FIG. 3

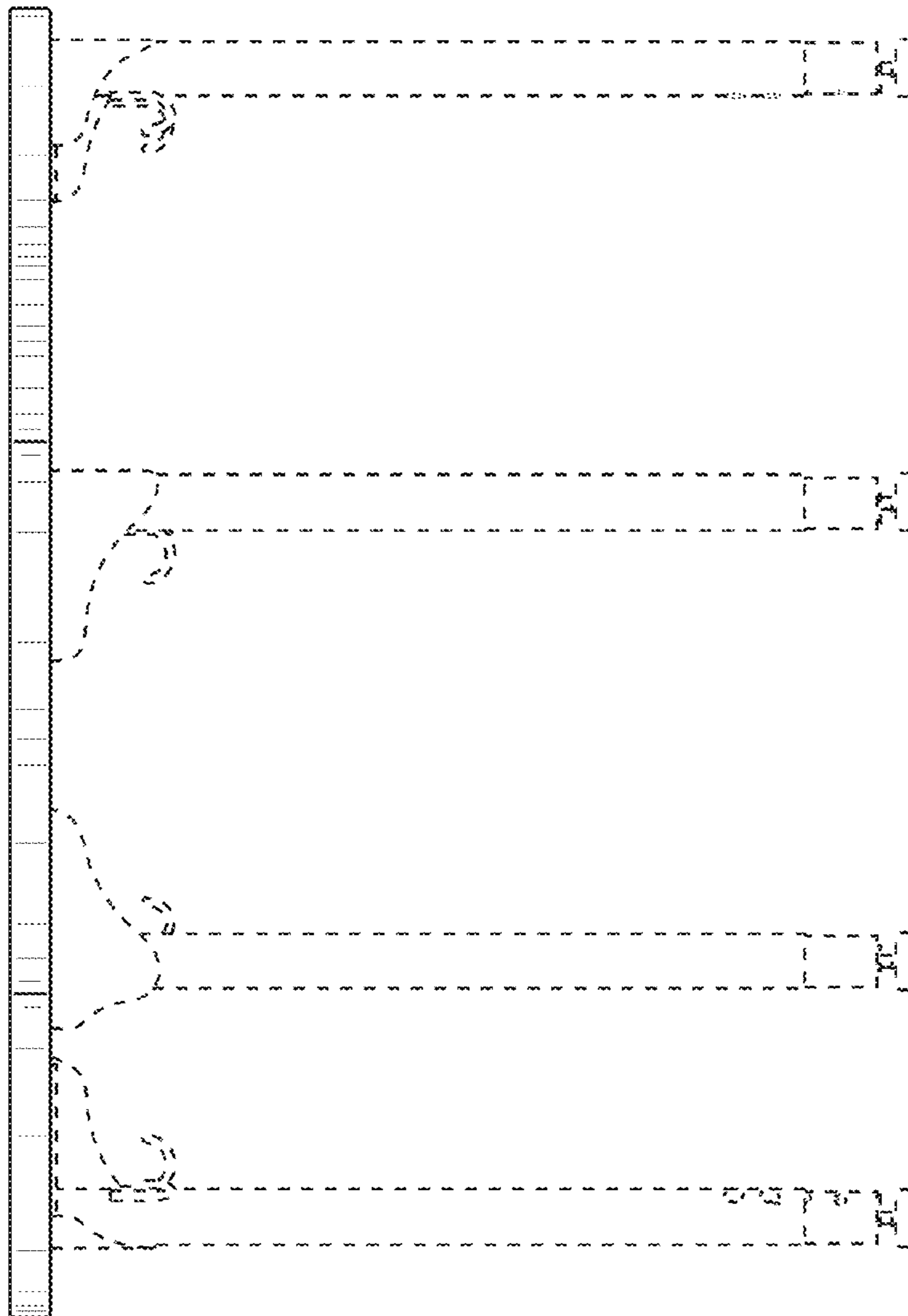


FIG. 4

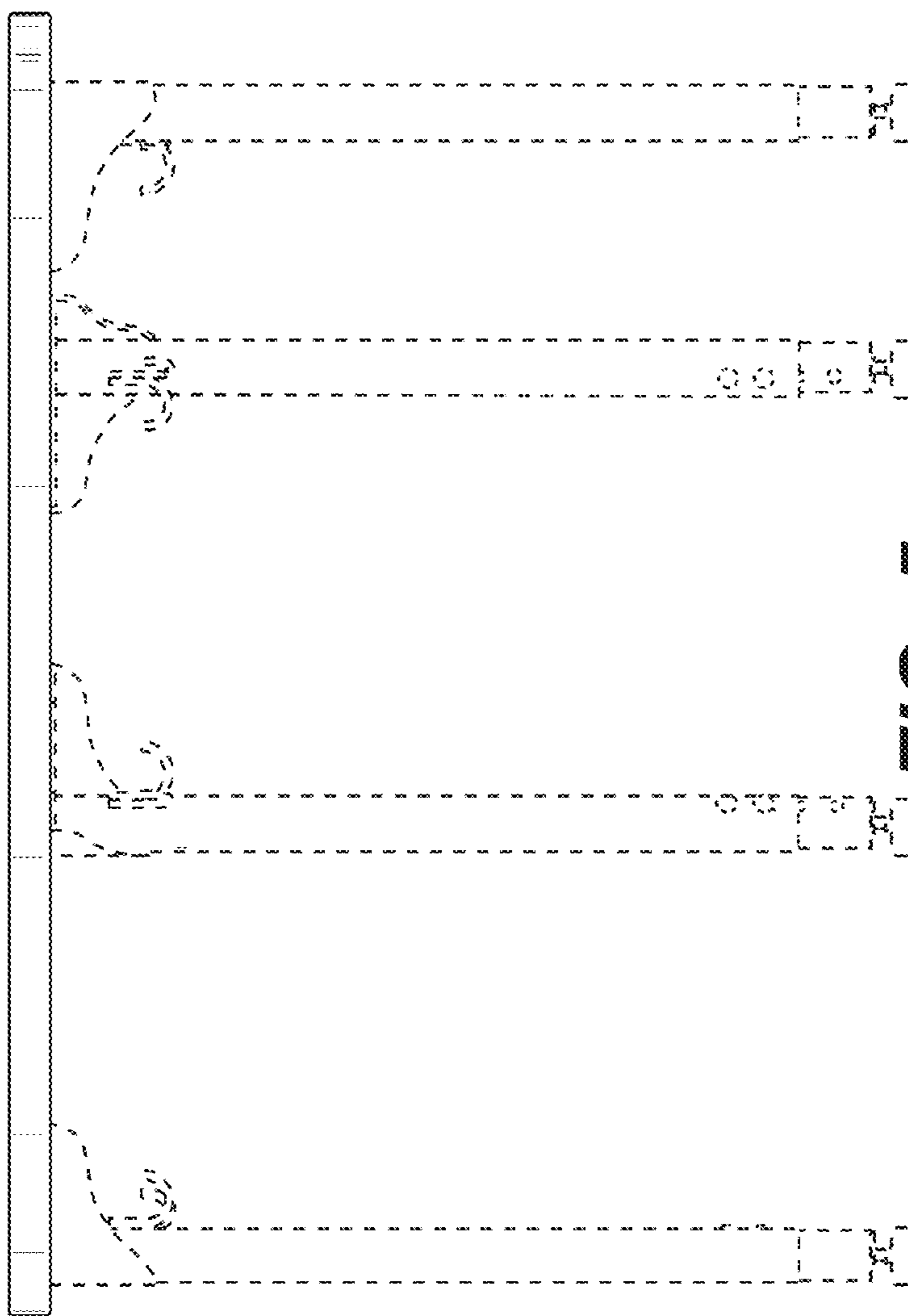


FIG. 5

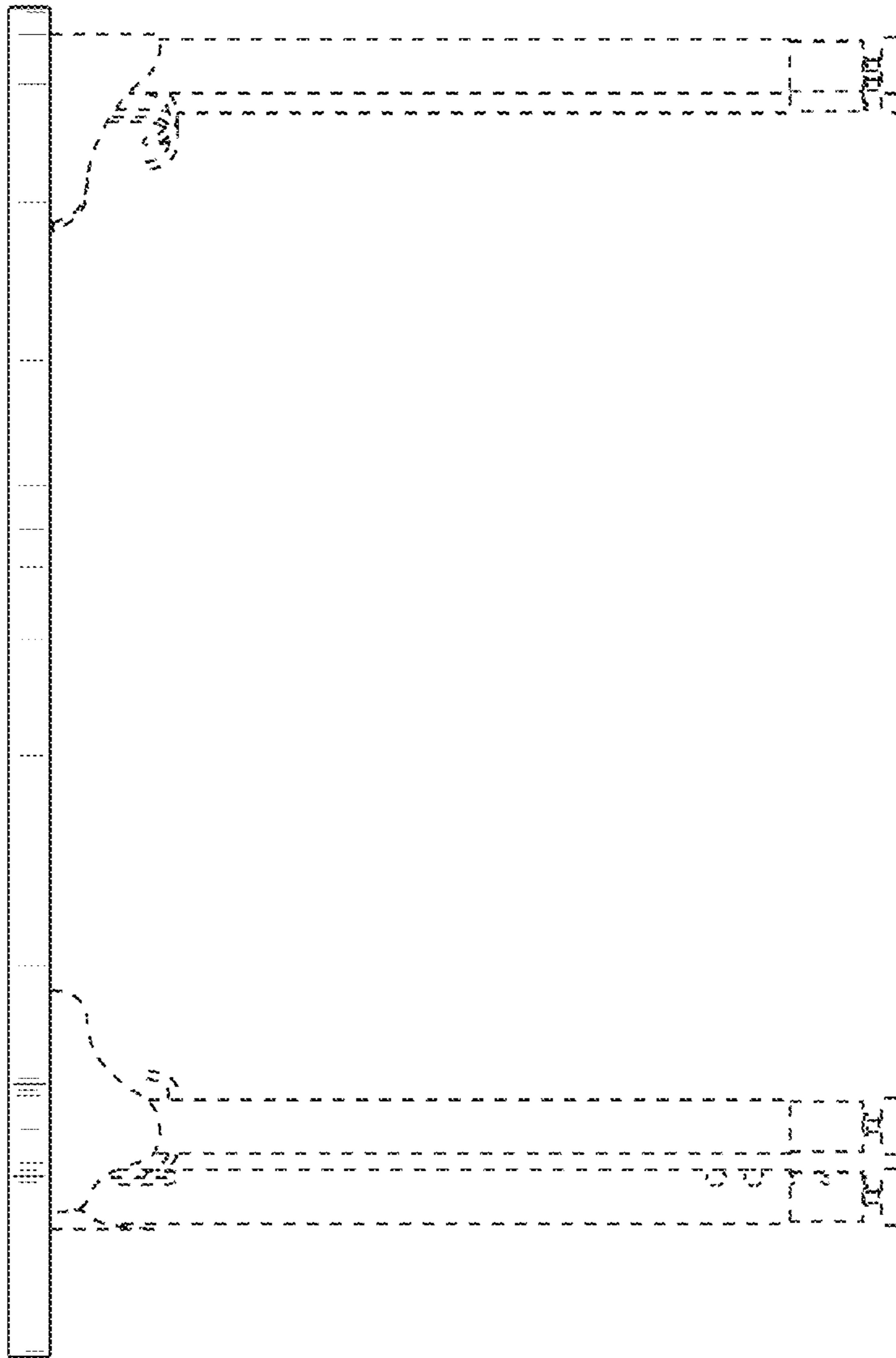


FIG. 6

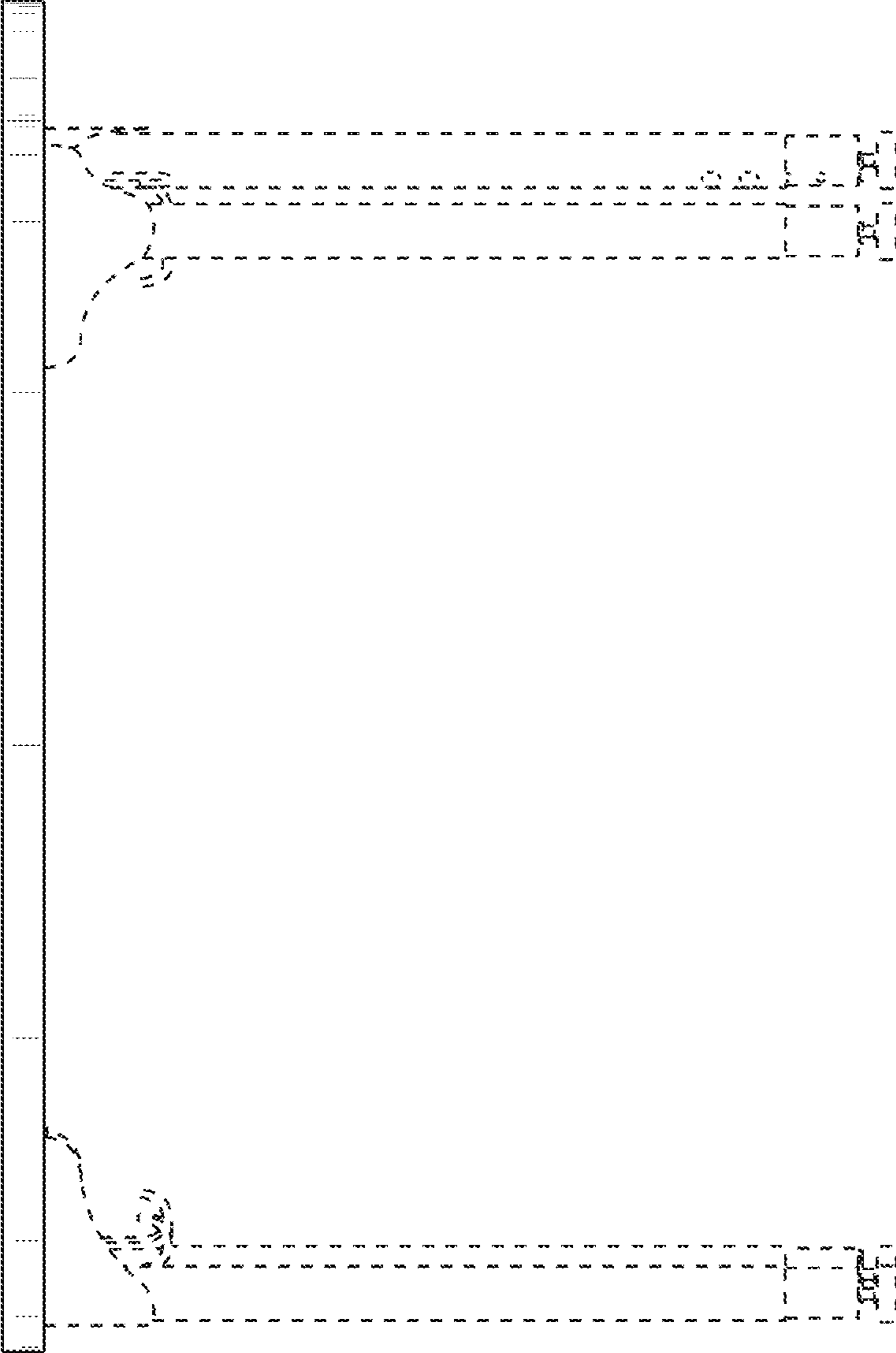


FIG. 7

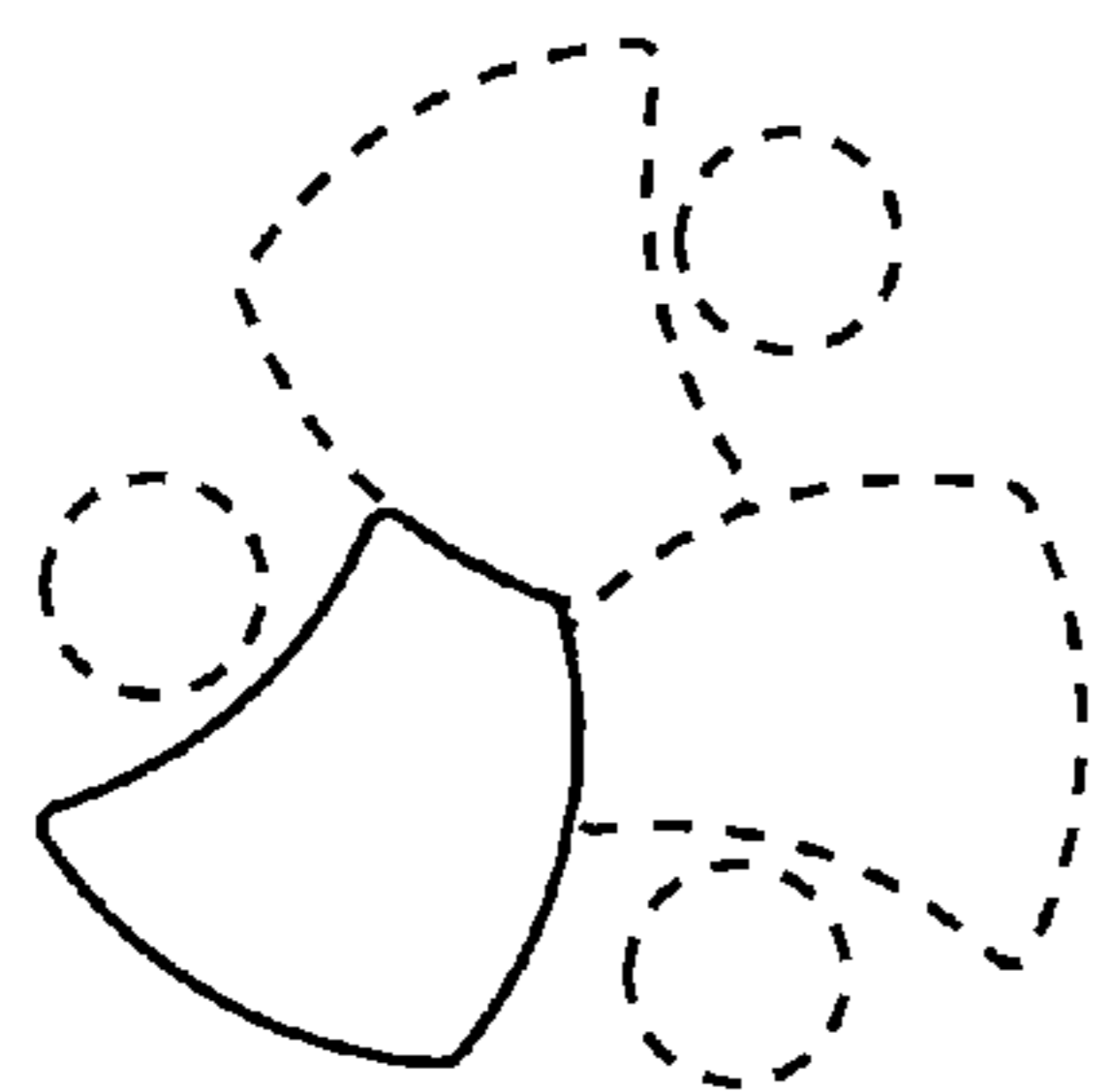


FIG. 8

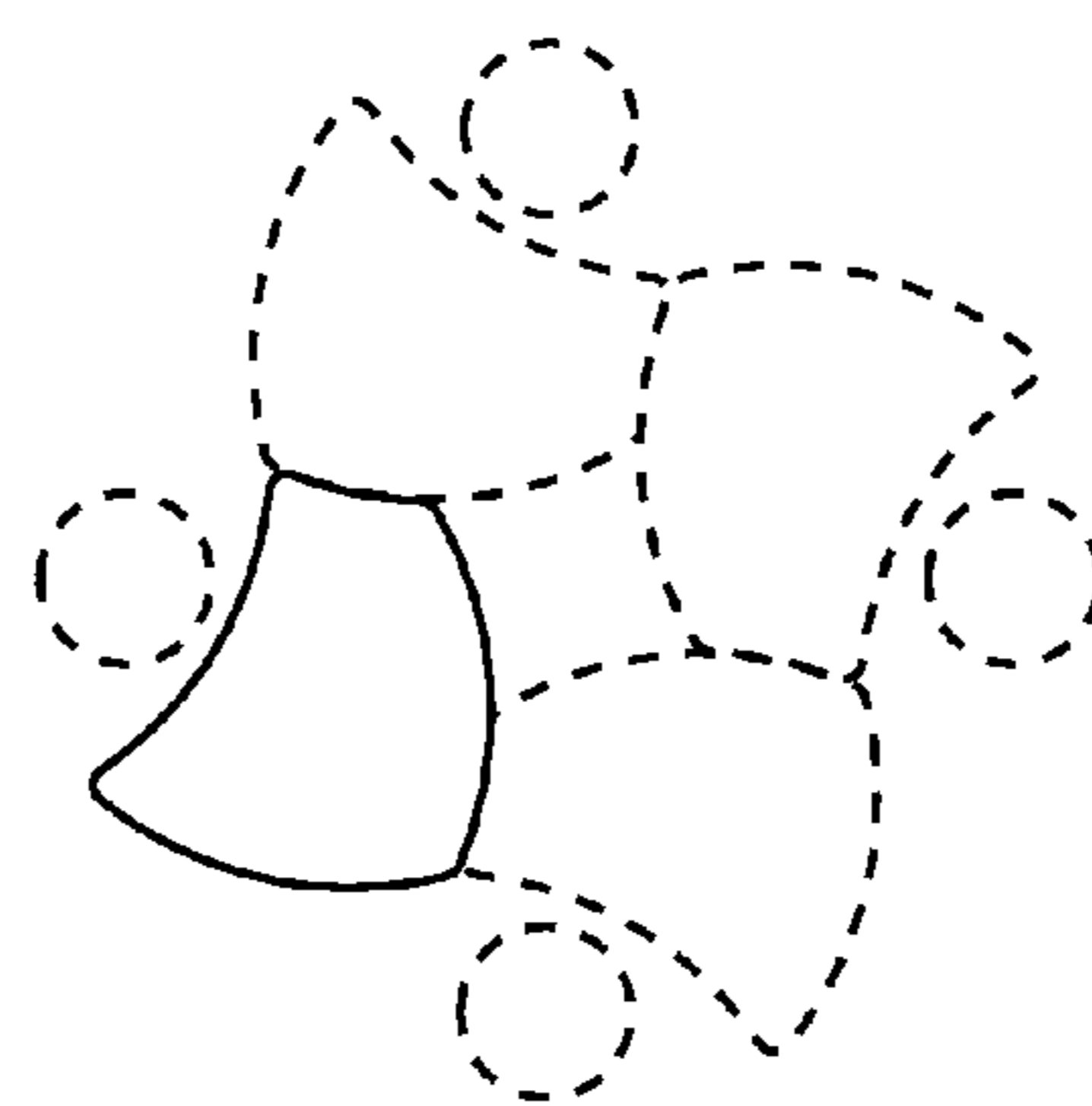


FIG. 9

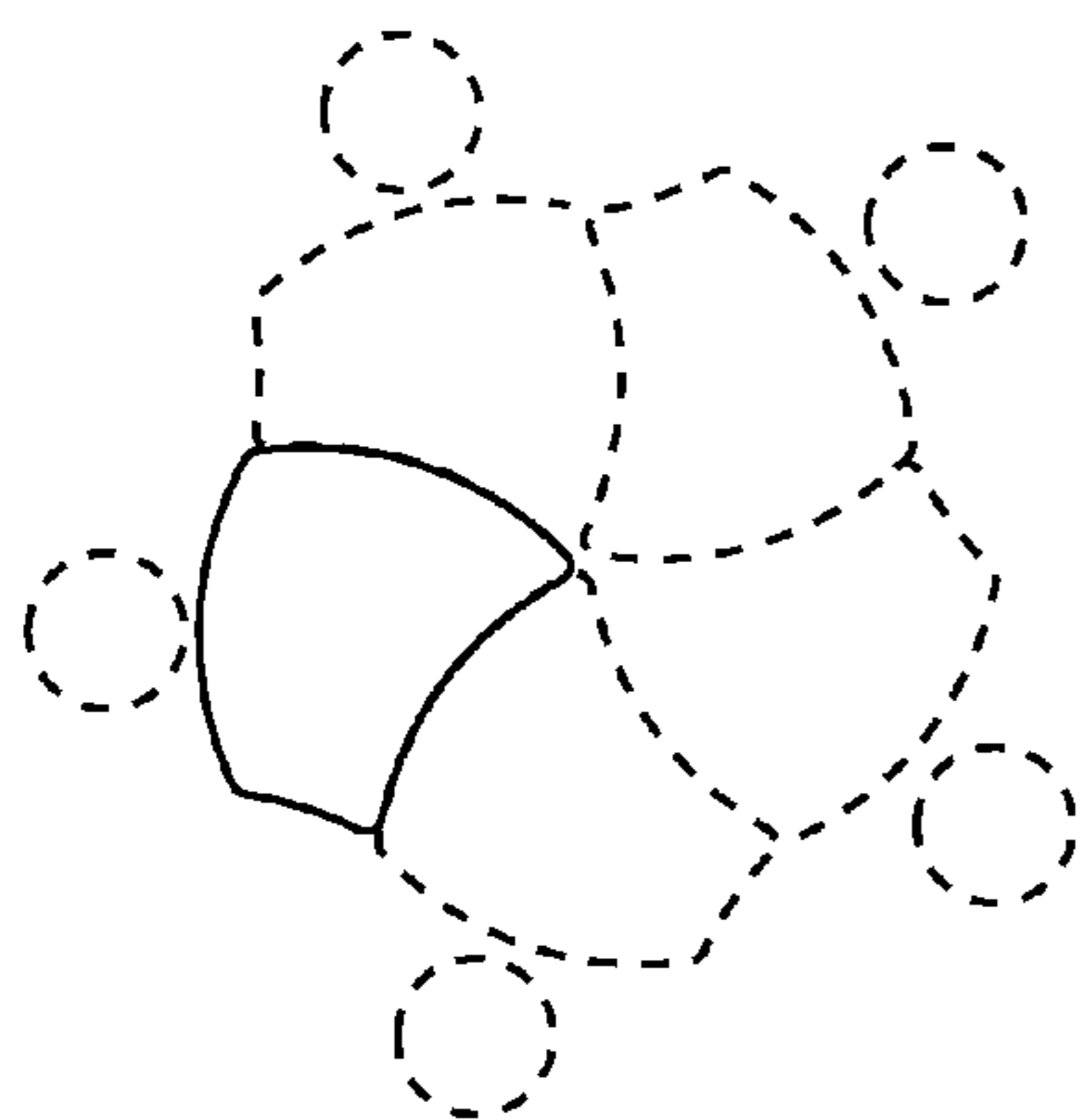


FIG. 10

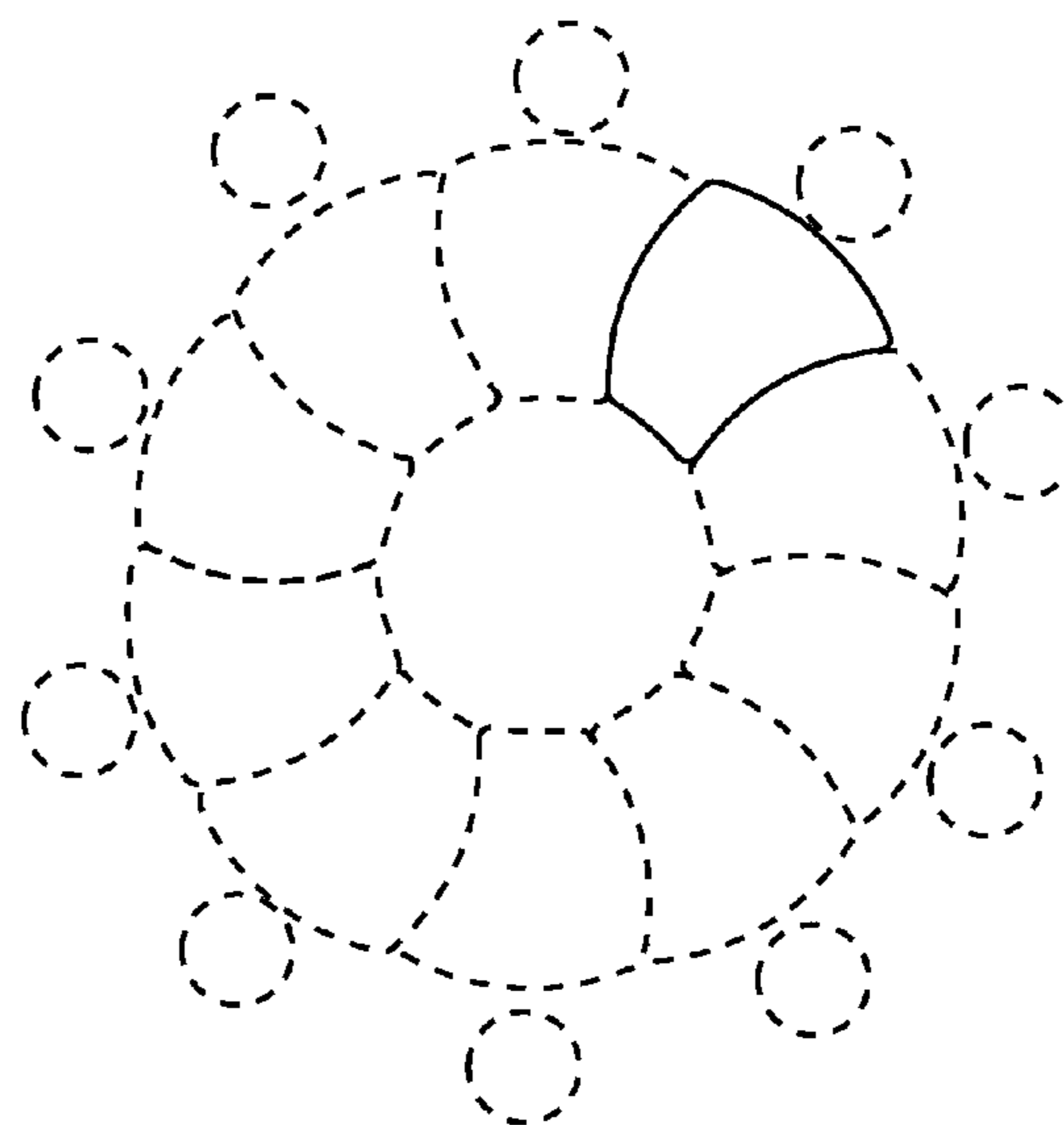


FIG. 11