



US00D703983S

(12) **United States Design Patent**
Poisson

(10) **Patent No.:** **US D703,983 S**

(45) **Date of Patent:** **** *May 6, 2014**

(54) **SHELVING PROTECTIVE COVERING**

(71) Applicant: **Daniel Poisson**, Grantham, NH (US)

(72) Inventor: **Daniel Poisson**, Grantham, NH (US)

(*) Notice: This patent is subject to a terminal disclaimer.

(**) Term: **14 Years**

(21) Appl. No.: **29/459,598**

(22) Filed: **Jul. 2, 2013**

5,228,581 A	7/1993	Palladino et al.	
5,538,147 A	7/1996	Fucci	
5,597,077 A	1/1997	Hartman	
5,697,302 A	12/1997	Putnam	
6,082,557 A	7/2000	Leahy	
6,401,945 B1	6/2002	Gawel	
D485,726 S *	1/2004	Woodard et al.	D6/629
6,725,785 B2	4/2004	Wang	
D509,088 S *	9/2005	Hoernig	D6/574
D520,287 S *	5/2006	Sparkowski	D6/574
D577,744 S *	9/2008	Baacke et al.	D15/89
D595,887 S *	7/2009	Blom	D26/76
D600,053 S *	9/2009	Chen	D6/510
7,682,465 B2	3/2010	Anderson et al.	
7,699,277 B2	4/2010	Bagnall	
D634,570 S *	3/2011	Lin	D6/511
8,083,432 B2	12/2011	Limpert	

(Continued)

Related U.S. Application Data

(63) Continuation of application No. 12/924,096, filed on Sep. 21, 2010, now Pat. No. 8,511,488.

(51) **LOC (10) Cl.** **06-06**

(52) **U.S. Cl.**
USPC **D6/705**

(58) **Field of Classification Search**
USPC D6/317, 396, 408, 449-450, 454-469, D6/510-511, 675-675.1, 705; 211/1, 10, 211/13.1, 27, 44, 50-53, 59.2, 59.3, 70, 211/70.1, 119.003, 133.5, 134, 181.1, 211/183-184; 312/348.3
See application file for complete search history.

(56) **References Cited**

U.S. PATENT DOCUMENTS

2,375,726 A	5/1945	Bales	
3,554,383 A	1/1971	Ball	
D255,195 S *	6/1980	Smith	D6/511
4,688,961 A	8/1987	Shioda et al.	
D292,357 S *	10/1987	Narain	D7/554.3
4,890,746 A	1/1990	Trulaske, Sr.	

Primary Examiner — Kelley Donnelly

(74) *Attorney, Agent, or Firm* — Lambert & Associates; Gary E. Lambert; David J. Connaughton, Jr.

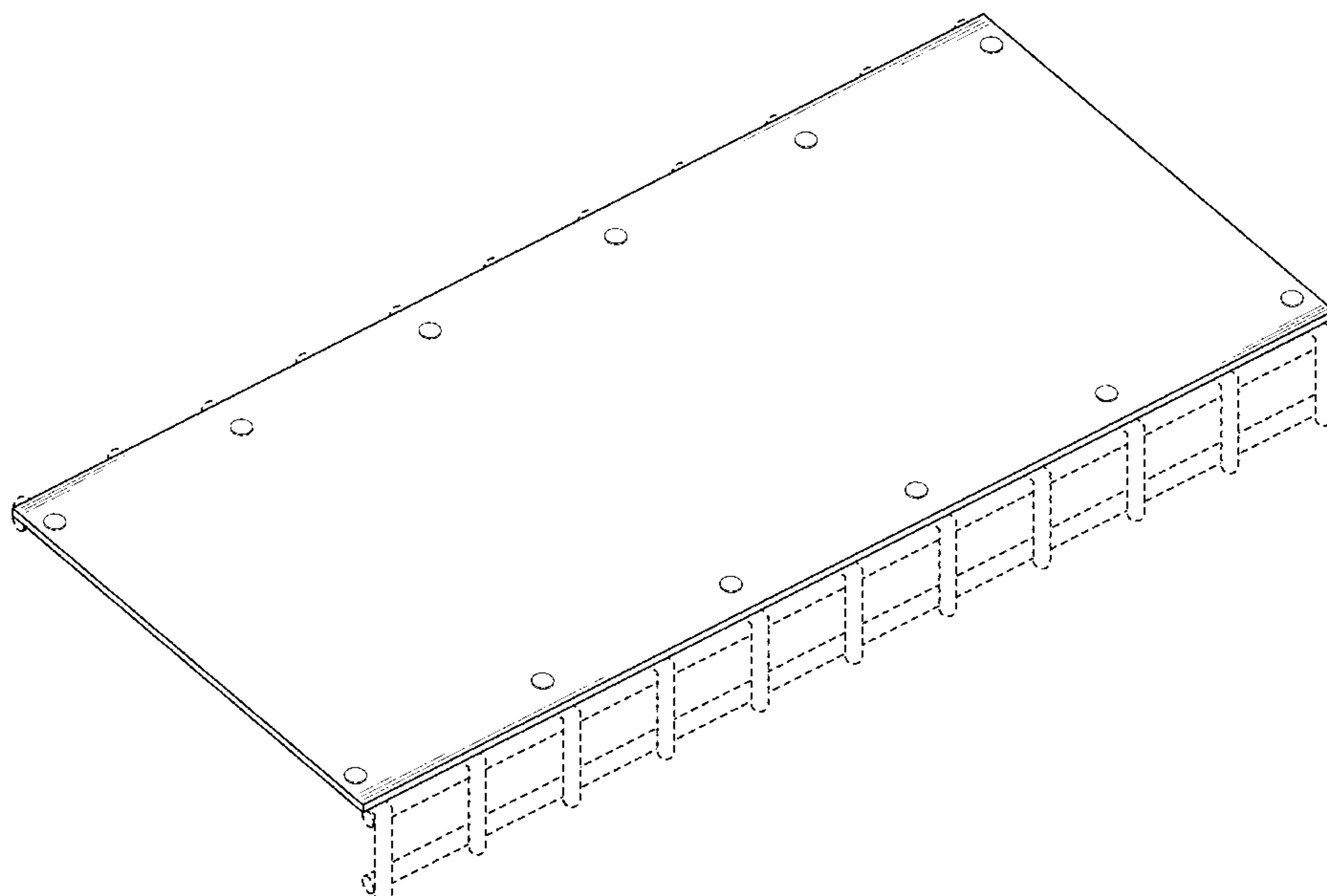
(57) **CLAIM**

The ornamental design for a shelving protective covering, as shown and described.

DESCRIPTION

FIG. 1 is a perspective view of the shelving protective covering in use, which embodies my design;
FIG. 2 is a partially exploded view of the shelving protective covering;
FIG. 3 is a bottom plan view of the shelving protective covering;
FIG. 4 is a top plan view of the shelving protective covering;
FIG. 5 is a left side view of the shelving protective covering;
FIG. 6 is a right side view of the shelving protective covering;
FIG. 7 is a front view of the shelving protective covering; and,
FIG. 8 is a rear view of the shelving protective covering.

1 Claim, 4 Drawing Sheets



(56)

References Cited

U.S. PATENT DOCUMENTS

D660,059 S * 5/2012 Nilsson D6/511
2002/0170870 A1 11/2002 Callis
2003/0223191 A1 12/2003 Shyr

2004/0004050 A1 1/2004 Turan
2004/0004052 A1 1/2004 Young et al.
2008/0041804 A1 2/2008 Ward
2009/0001037 A1 1/2009 Wilcock

* cited by examiner

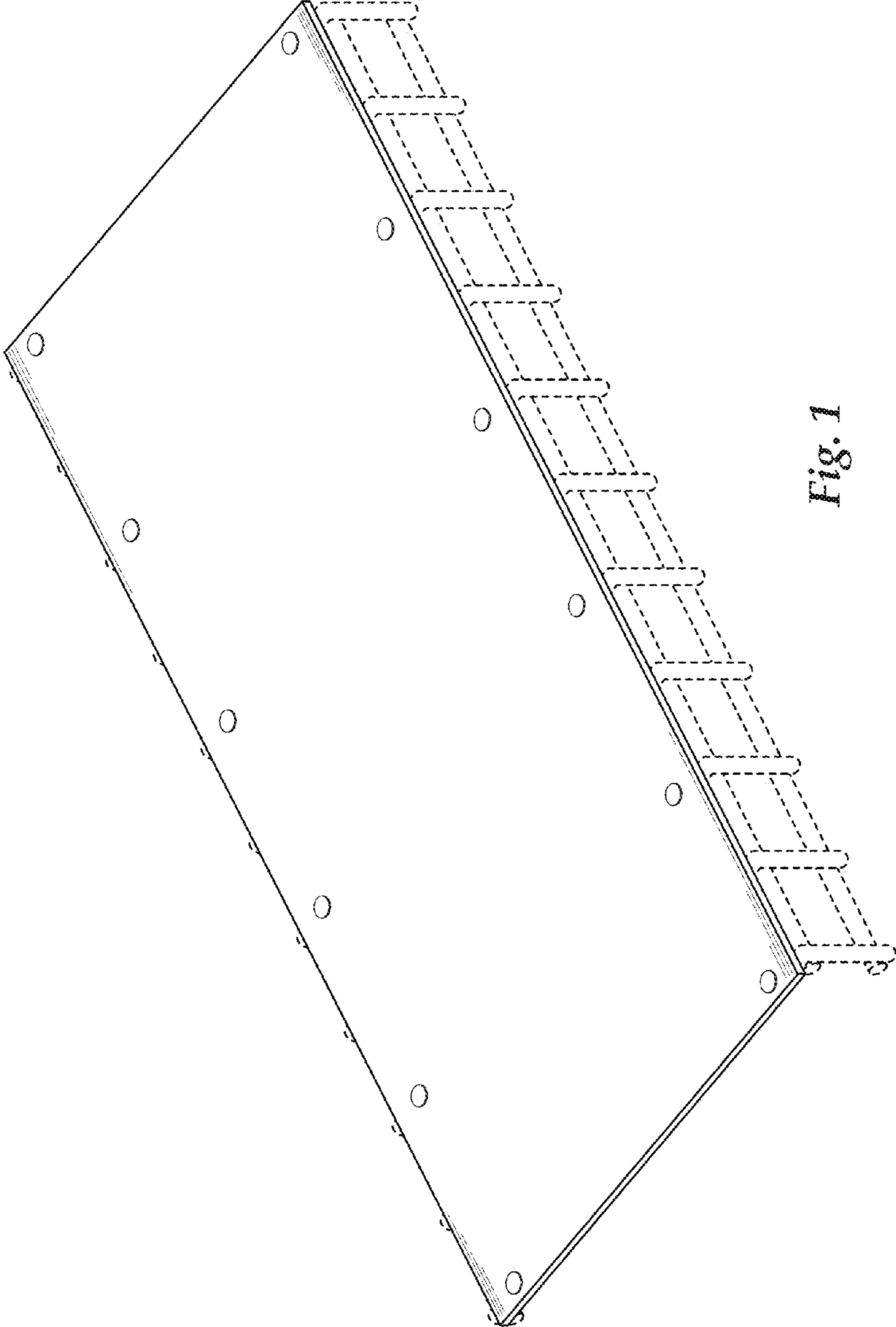


Fig. 1

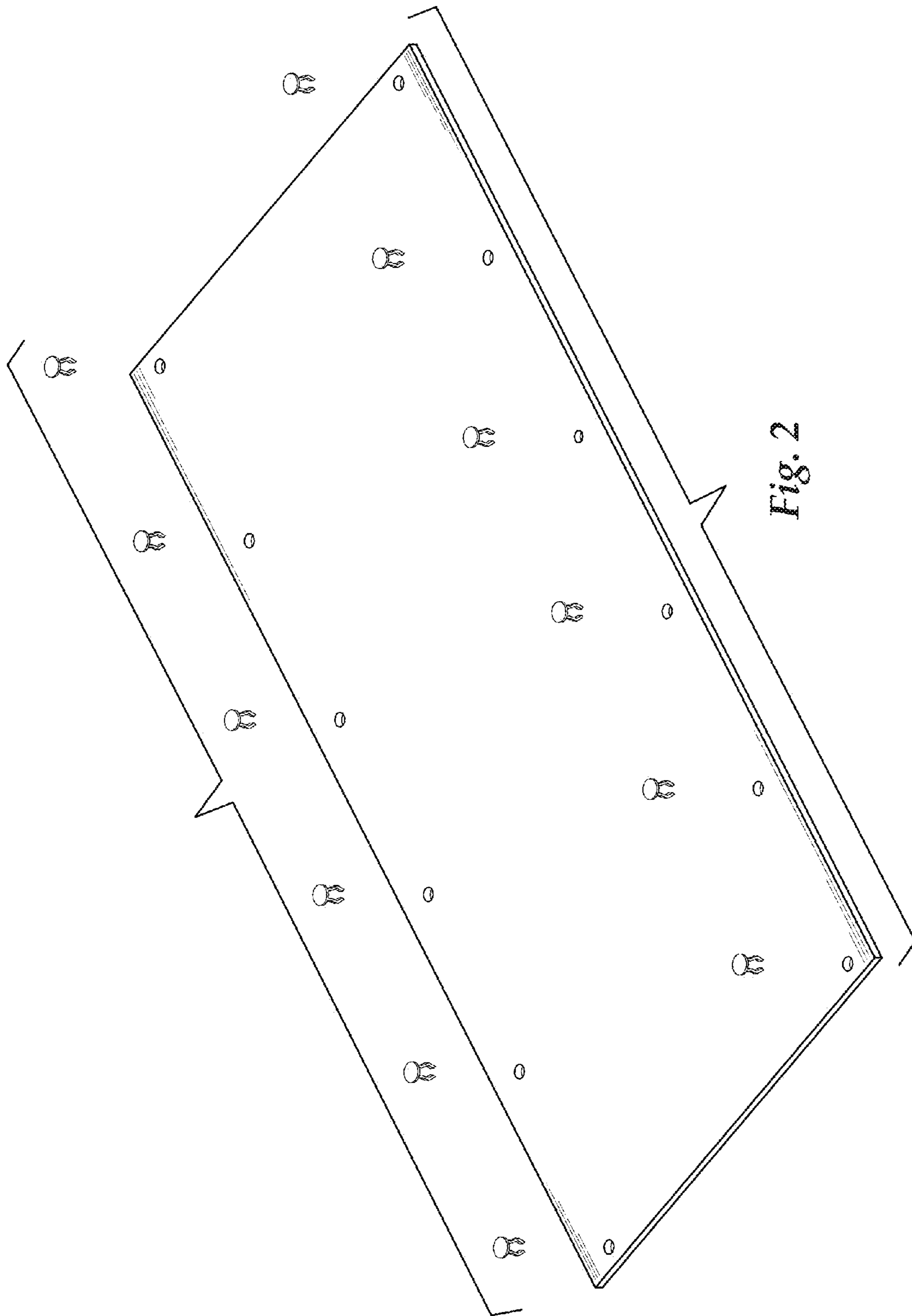


Fig. 2

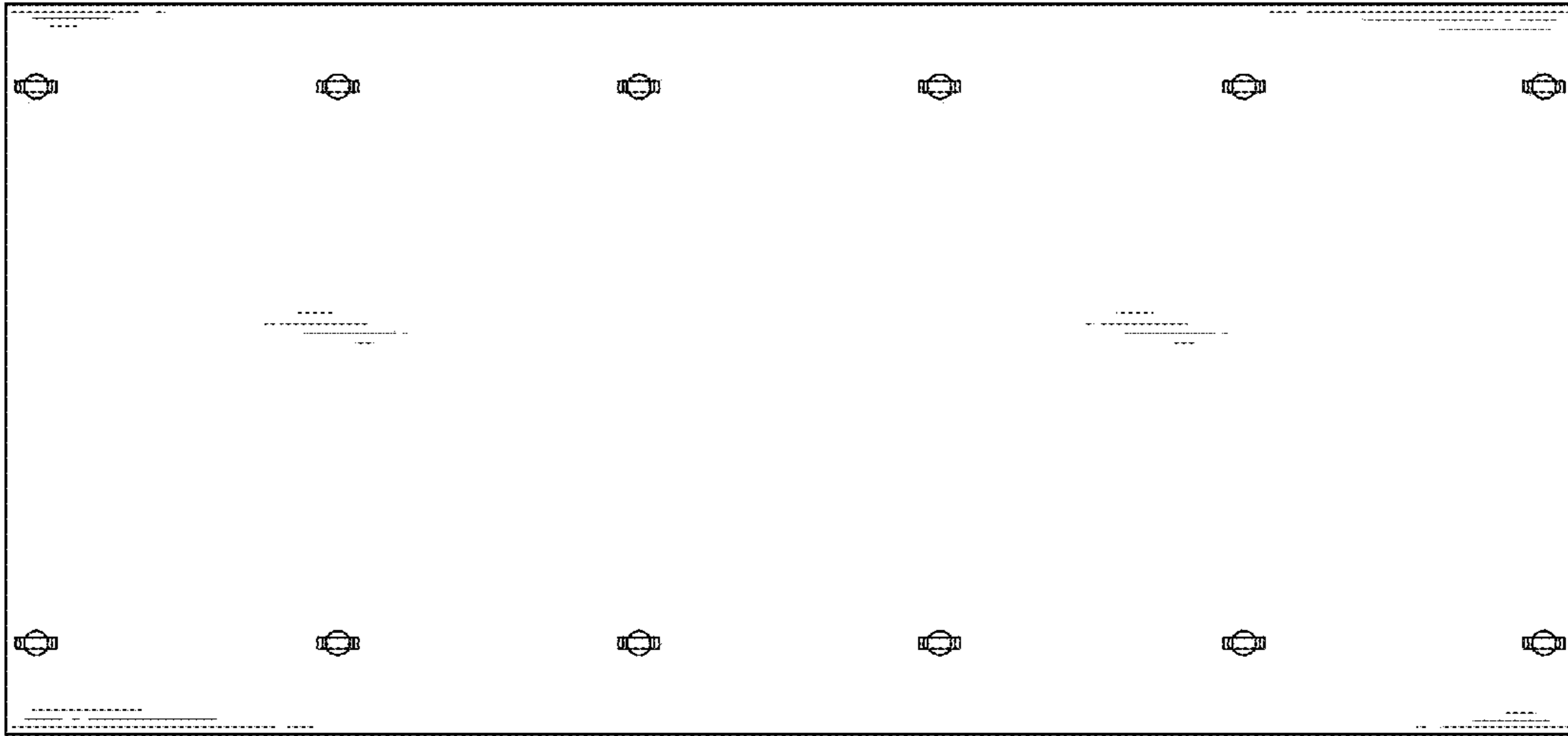


Fig. 3

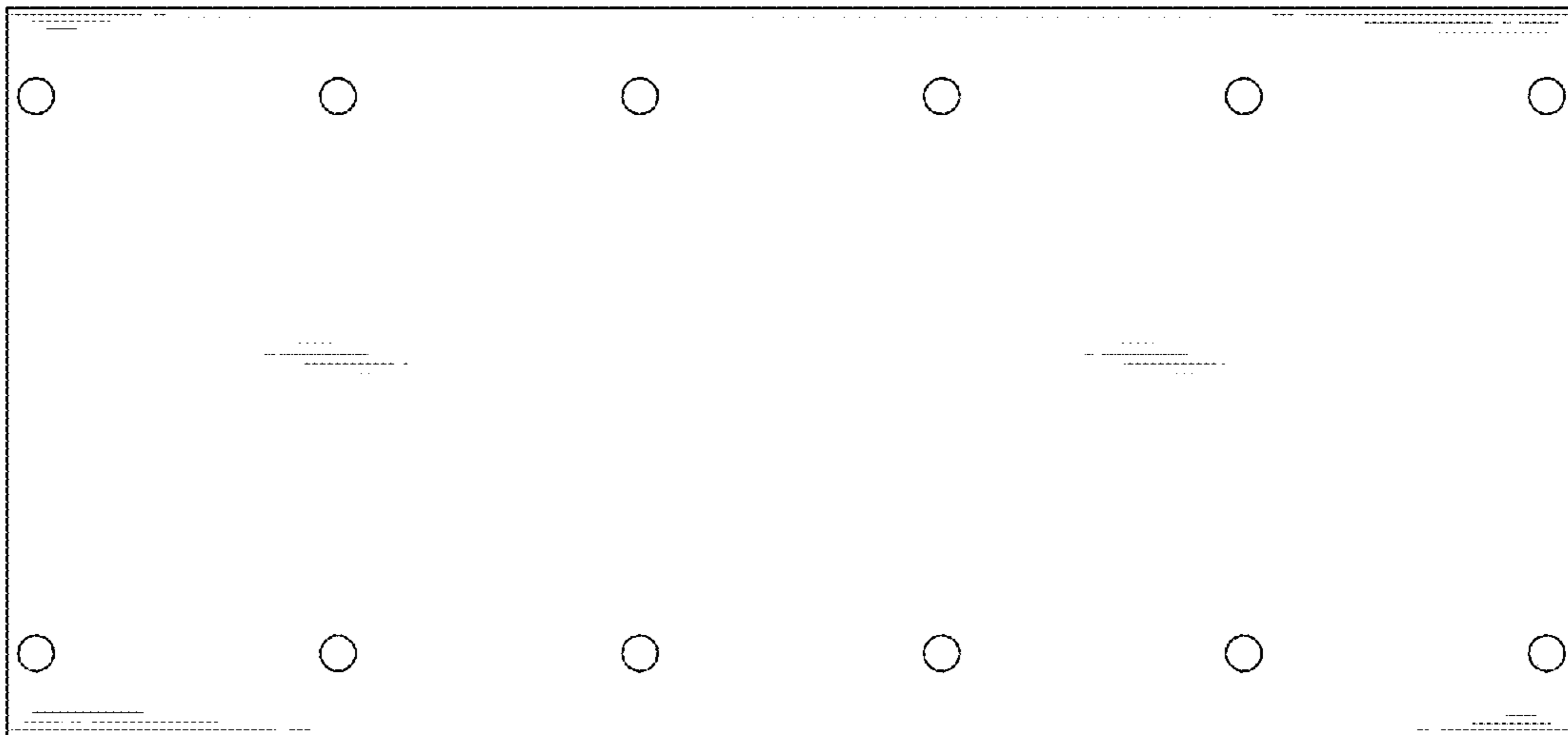


Fig. 4

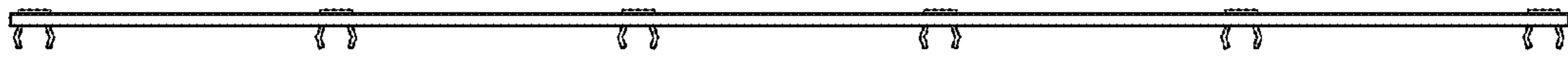


Fig. 5

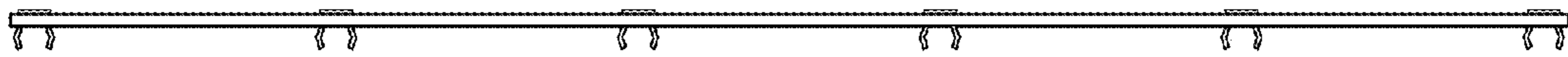


Fig. 6

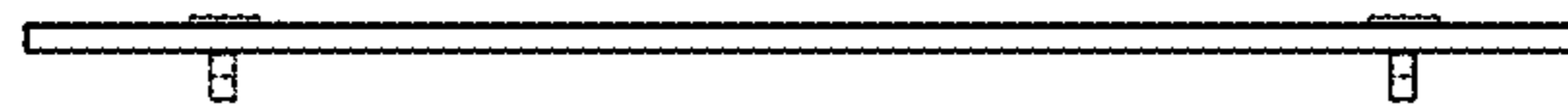


Fig. 7

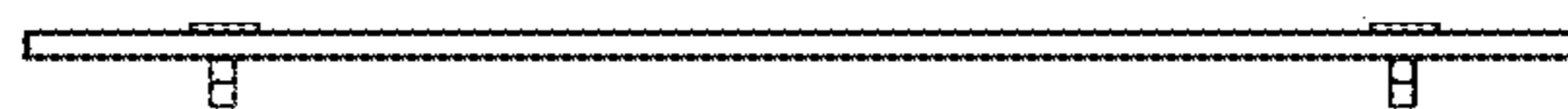


Fig. 8