



US00D703980S

(12) **United States Design Patent**  
**Anderson, Jr.**

(10) **Patent No.:** **US D703,980 S**

(45) **Date of Patent:** **\*\* May 6, 2014**

(54) **NET FRAME**

(71) Applicant: **Joseph Anderson, Jr.**, Raleigh, NC (US)

(72) Inventor: **Joseph Anderson, Jr.**, Raleigh, NC (US)

(\*\*) Term: **14 Years**

(21) Appl. No.: **29/453,262**

(22) Filed: **Apr. 26, 2013**

(51) **LOC (10) Cl.** ..... **06-06**

(52) **U.S. Cl.**  
USPC ..... **D6/678.4**

(58) **Field of Classification Search**  
USPC ..... D6/672-673, 678, 678.4, 680.2, 680.3,  
D6/462, 466, 491-492; D8/71; 211/24,  
211/41.4, 41.7, 58, 70, 85, 95, 85.31, 90.03,  
211/112, 115, 126.8, 129.1, 131.1, 134,  
211/181.1, 144, 133.2, 153; 248/153, 175  
See application file for complete search history.

D556,476 S *	12/2007	Butler et al. ....	D6/491
D574,631 S *	8/2008	Calabria et al. ....	D6/462
D591,531 S *	5/2009	Sparkowski ....	D6/464
D603,188 S *	11/2009	Wang ....	D6/462
D608,111 S *	1/2010	Rubin ....	D6/515
D613,965 S *	4/2010	Tertel et al. ....	D6/462
D620,279 S *	7/2010	Lebon, III ....	D6/462
D637,015 S *	5/2011	Rogers ....	D6/462
7,954,772 B2 *	6/2011	Skvorecz ....	248/153
D650,610 S *	12/2011	Carr et al. ....	D6/462
D651,067 S *	12/2011	Johnson, III ....	D8/354
D655,945 S *	3/2012	McCue et al. ....	D6/462
D667,904 S *	9/2012	DeFrancisci ....	D21/691
D678,746 S *	3/2013	Kirby ....	D8/71
D690,168 S *	9/2013	Zemel ....	D7/637
D690,541 S *	10/2013	Rogers ....	D6/675.5

\* cited by examiner

*Primary Examiner* — Kelley Donnelly  
(74) *Attorney, Agent, or Firm* — Jeffrey W. Childers

(57) **CLAIM**  
The ornamental design for a net frame, as shown and described.

(56) **References Cited**

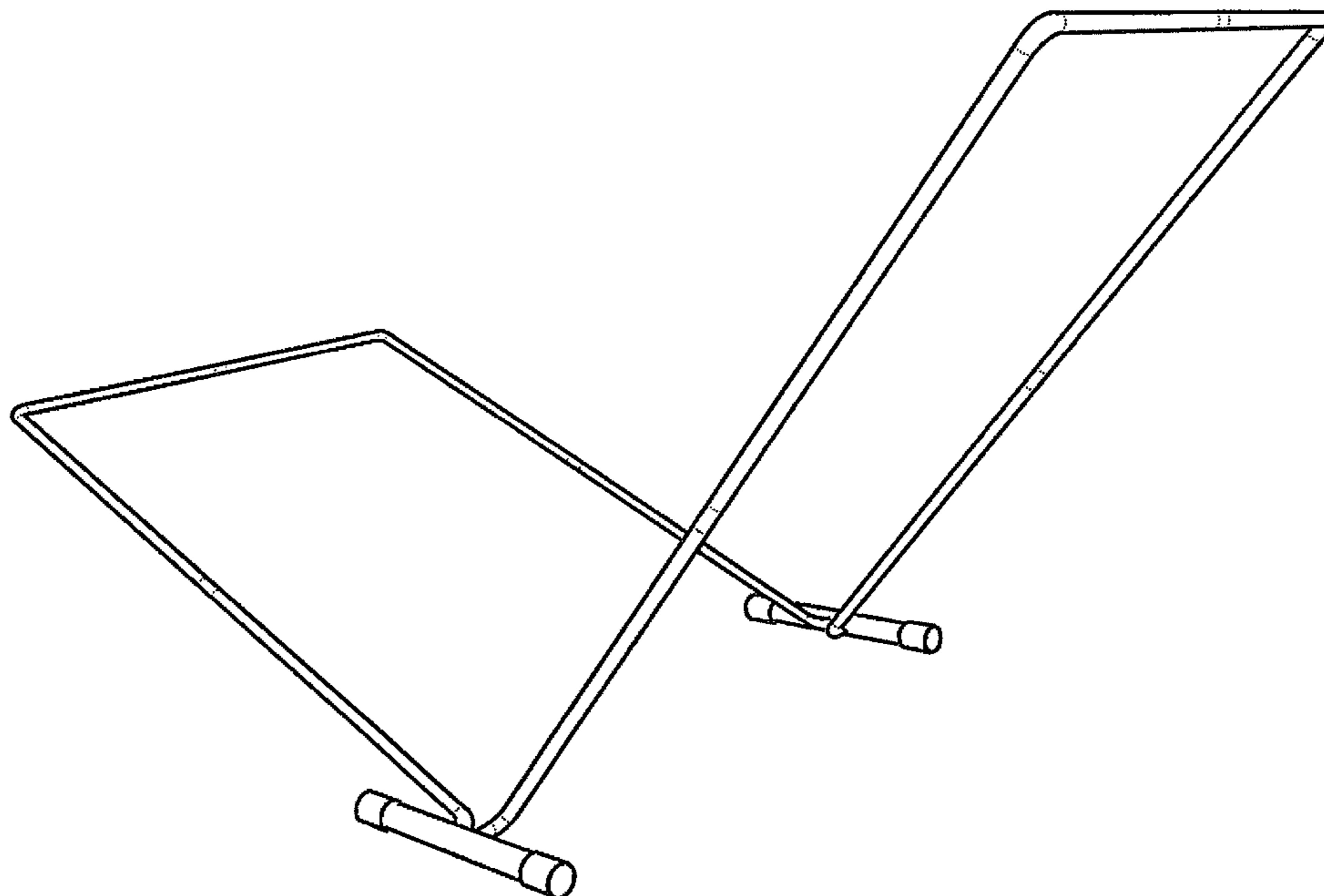
**U.S. PATENT DOCUMENTS**

1,359,125 A *	11/1920	Stevens ....	211/106
5,143,415 A *	9/1992	Boudah ....	296/3
D360,559 S *	7/1995	Grubb et al. ....	D7/619.1
D362,654 S *	9/1995	Keith ....	D12/406
D364,516 S *	11/1995	Helenowski ....	D6/462
D372,141 S *	7/1996	Selby ....	D6/468
D389,632 S *	1/1998	Reddin ....	D34/6
D400,028 S *	10/1998	Farrer ....	D6/431
D499,892 S *	12/2004	Schneider ....	D6/317
D532,215 S *	11/2006	Calabria et al. ....	D6/462
D532,993 S *	12/2006	Calabria et al. ....	D6/462

**DESCRIPTION**

FIG. 1 is a perspective view of a net frame showing my new design;  
FIG. 2 is a side view thereof;  
FIG. 3 is an end view thereof;  
FIG. 4 is a top view thereof;  
FIG. 5 is a side perspective view thereof; and,  
FIG. 6 is a front view thereof.  
The dashed lines shown in the drawings are for environmental purposes only and form no part of the claimed design.

**1 Claim, 6 Drawing Sheets**



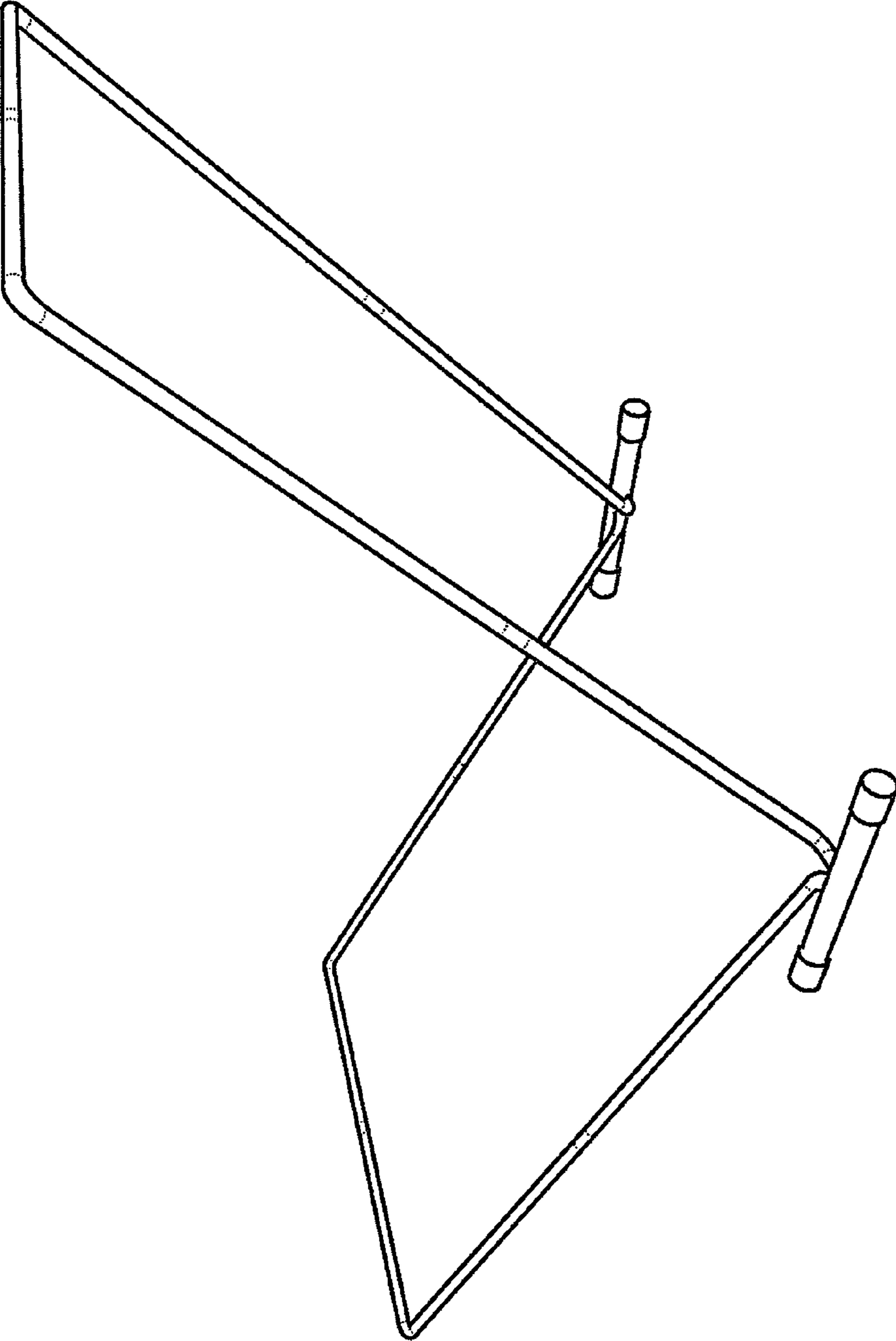


FIG. 1

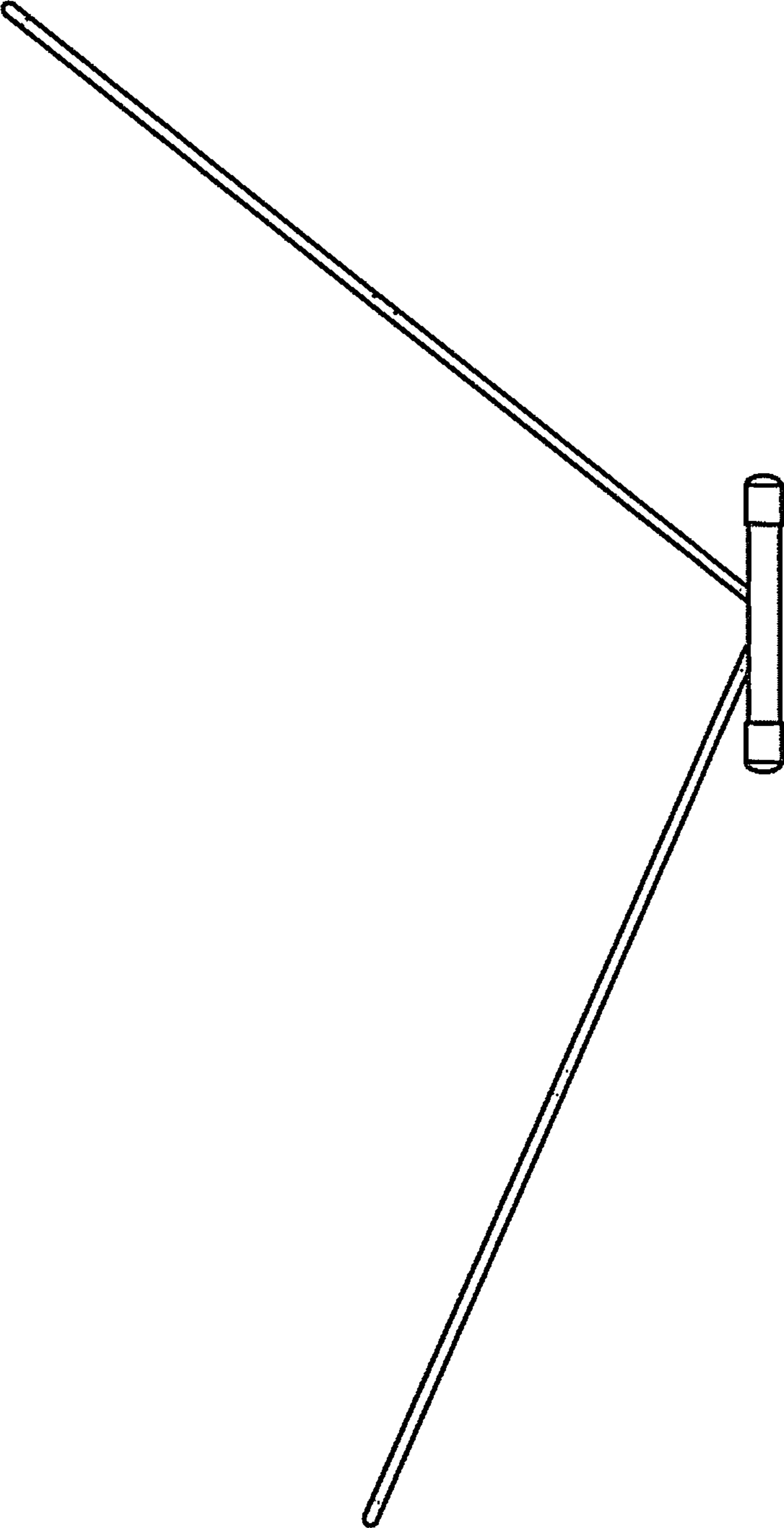


FIG. 2

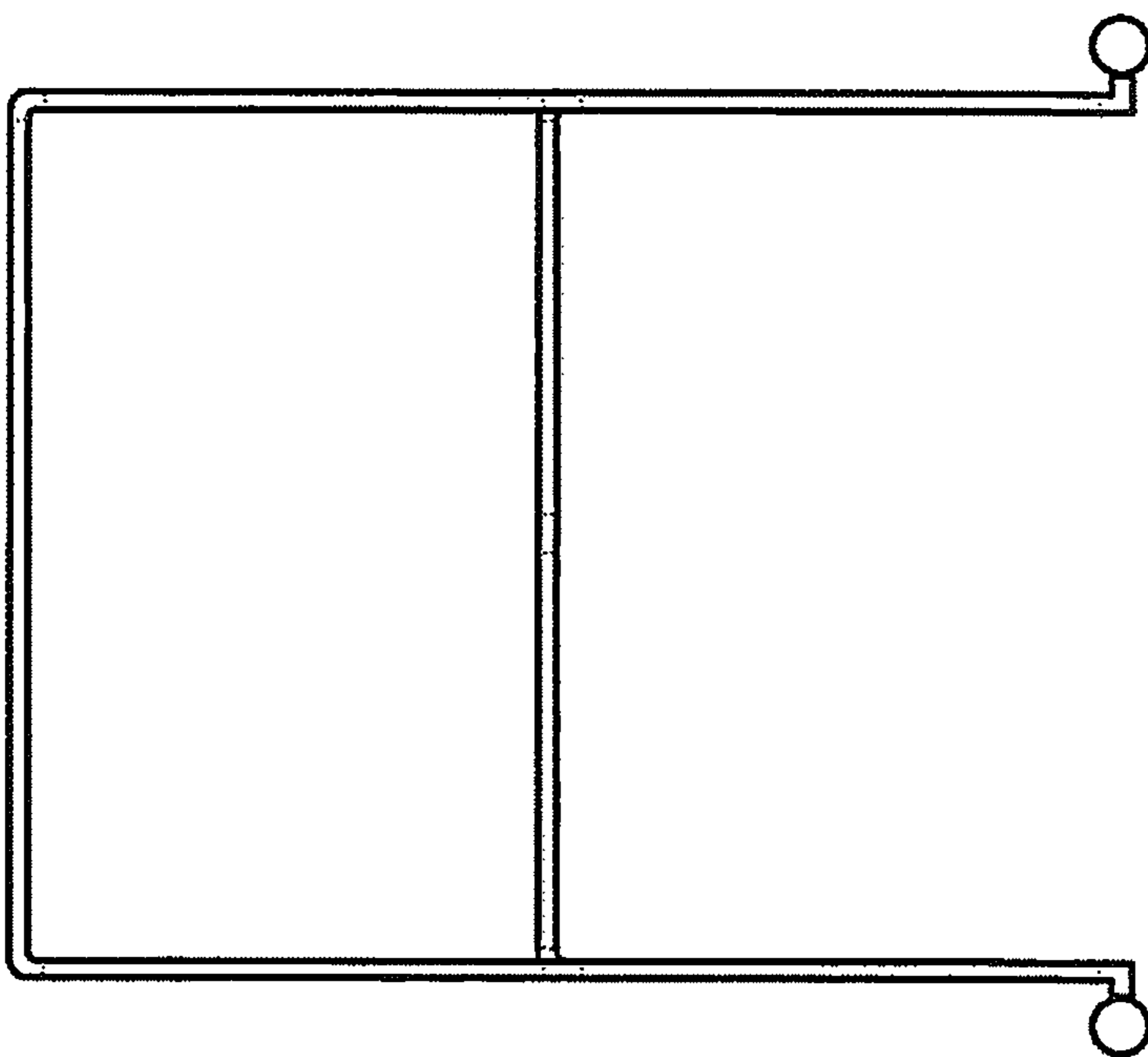


FIG. 3

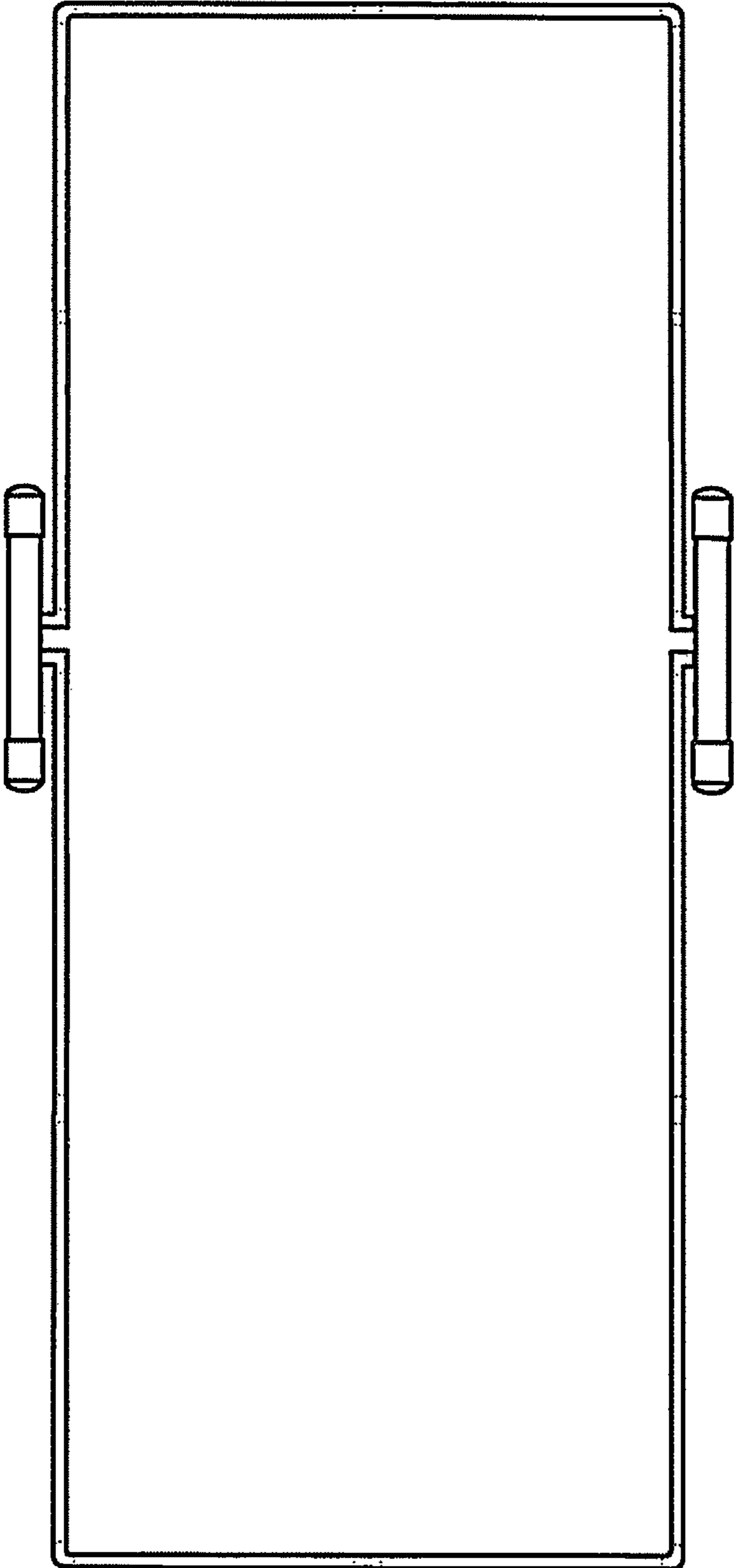


FIG. 4

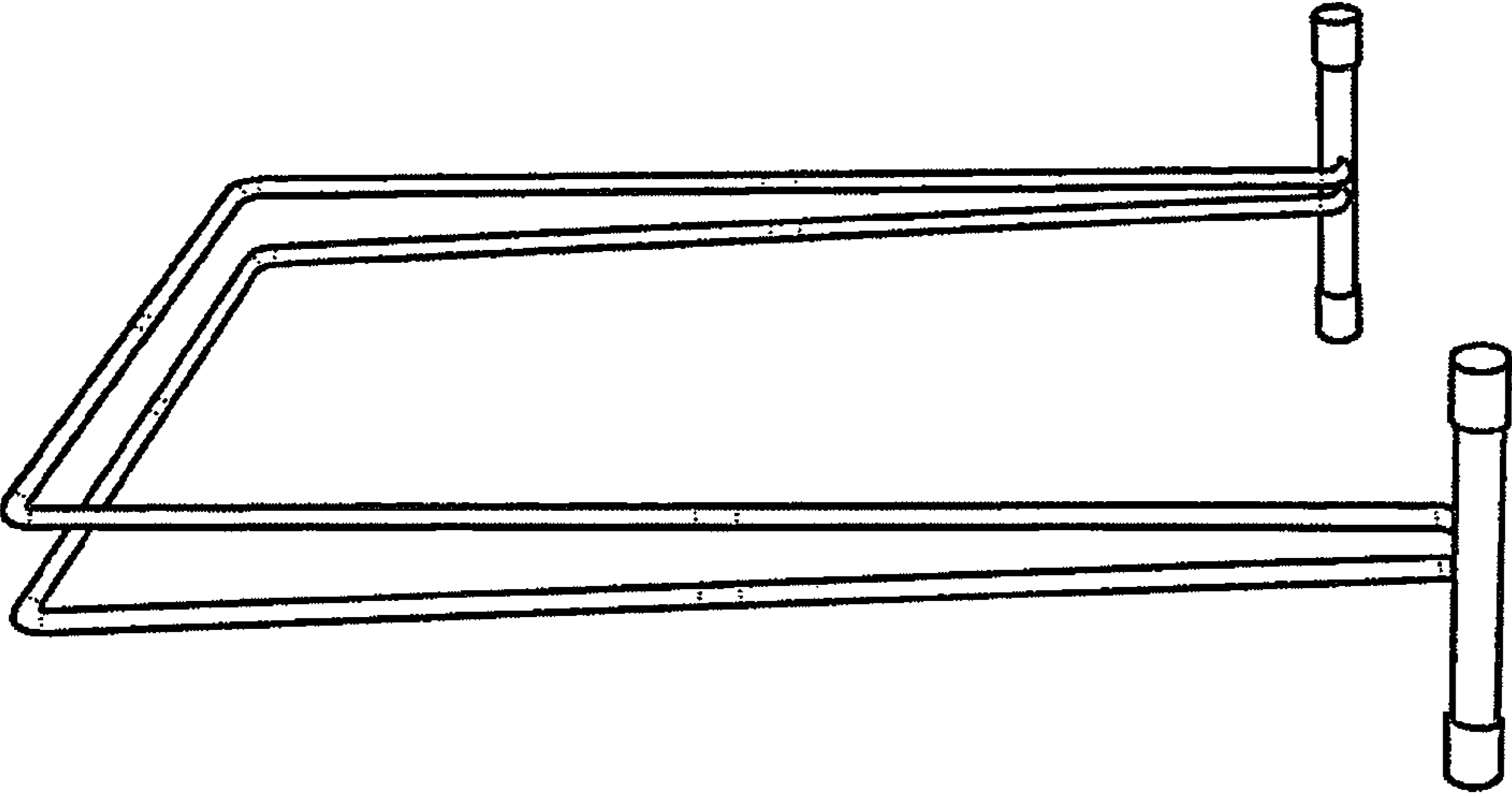


FIG. 5

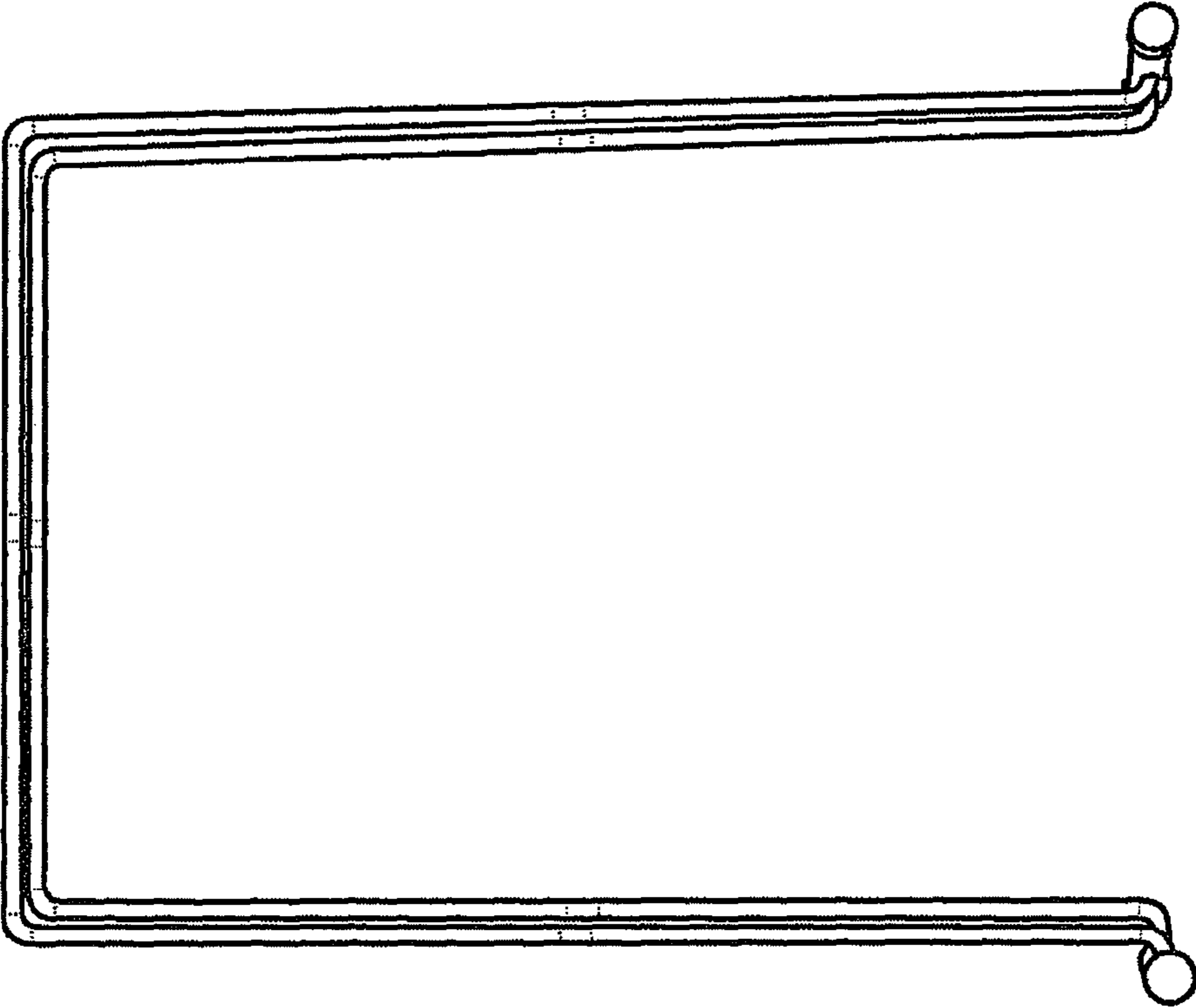


FIG. 6