



US00D703974S

(12) **United States Design Patent**
Chou

(10) **Patent No.:** **US D703,974 S**

(45) **Date of Patent:** **** May 6, 2014**

(54) **END COVER OF A WINDOW CURTAIN RAIL**

(76) Inventor: **Tser Wen Chou**, Taipei (TW)

(**) Term: **14 Years**

(21) Appl. No.: **29/420,327**

(22) Filed: **May 8, 2012**

Related U.S. Application Data

(63) Continuation-in-part of application No. 29/391,800, filed on May 13, 2011, now abandoned.

(51) **LOC (10) Cl.** **06-10**

(52) **U.S. Cl.**
USPC **D6/580**

(58) **Field of Classification Search**
USPC D8/394, 400; D6/580; 160/38-39,
160/178.1 R, 177 R
See application file for complete search history.

(56) **References Cited**

U.S. PATENT DOCUMENTS

4,938,443 A * 7/1990 Rowe 248/251
5,186,571 A * 2/1993 Hentzschel 403/231
D398,219 S * 9/1998 Campman D8/363
D513,171 S * 12/2005 Richardson D8/394

7,048,028 B2 * 5/2006 Wolfe et al. 160/173 R
7,284,736 B2 * 10/2007 Franssen 248/251
D599,602 S * 9/2009 Chou D6/580
D699,480 S * 2/2014 Dibben et al. D6/580

* cited by examiner

Primary Examiner — Barbara Fox

(74) *Attorney, Agent, or Firm* — Ming Chow; Sinorica, LLC

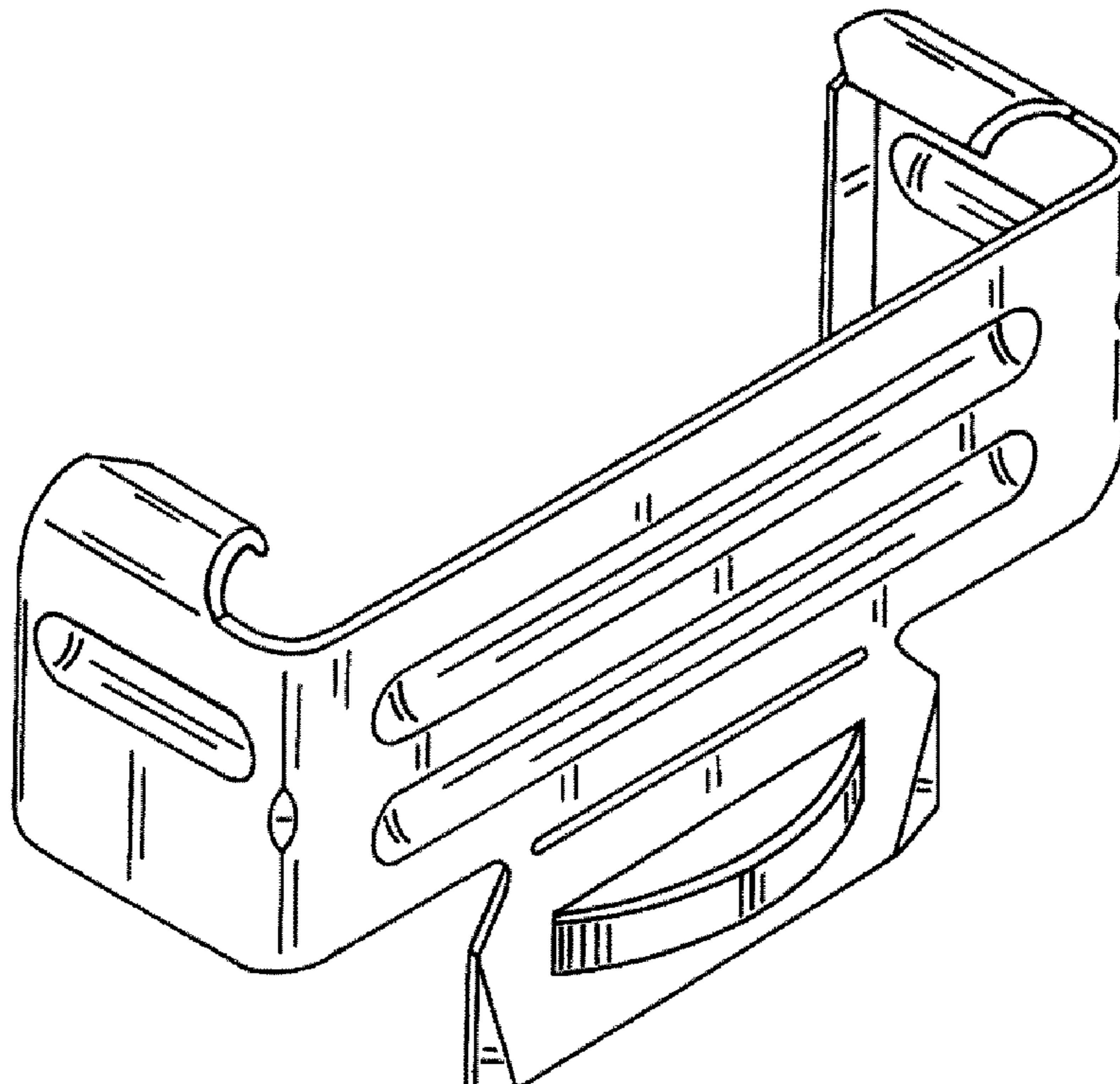
(57) **CLAIM**

The ornamental design for an end cover of a window curtain rail, as shown and described.

DESCRIPTION

FIG. 1 is a perspective view of an end cover of a window curtain rail;
FIG. 2 is a front view thereof;
FIG. 3 is a rear view thereof;
FIG. 4 is a right side view thereof;
FIG. 5 is a left side view thereof;
FIG. 6 is a top view thereof;
FIG. 7 is a bottom view thereof; and,
FIG. 8 is a perspective view of the design showing that one end cover is mounted at one end of a window curtain rail. The broken lines in the drawing illustrate environmental structure and form no part of the claimed design.

1 Claim, 5 Drawing Sheets



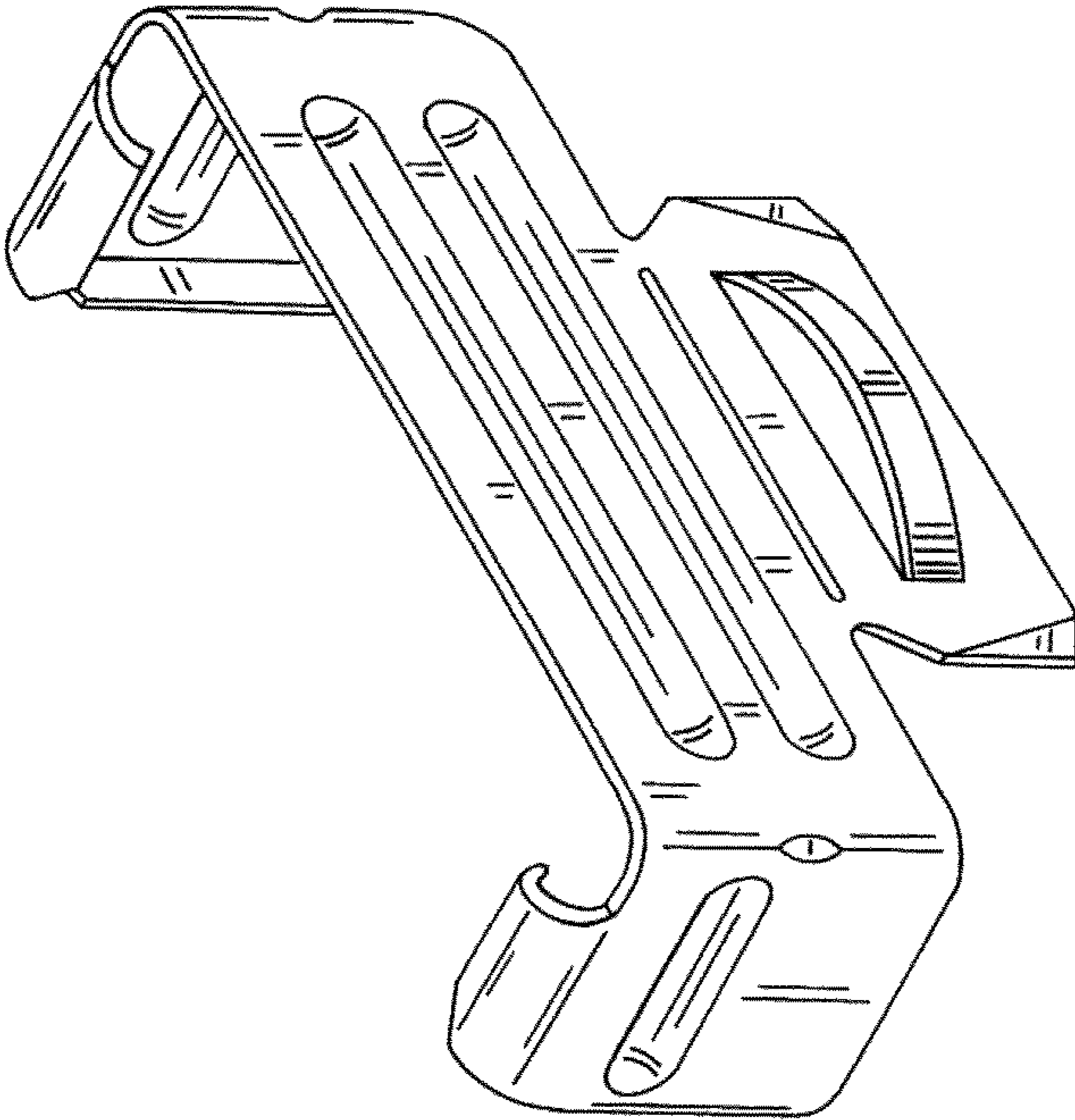


FIG 1

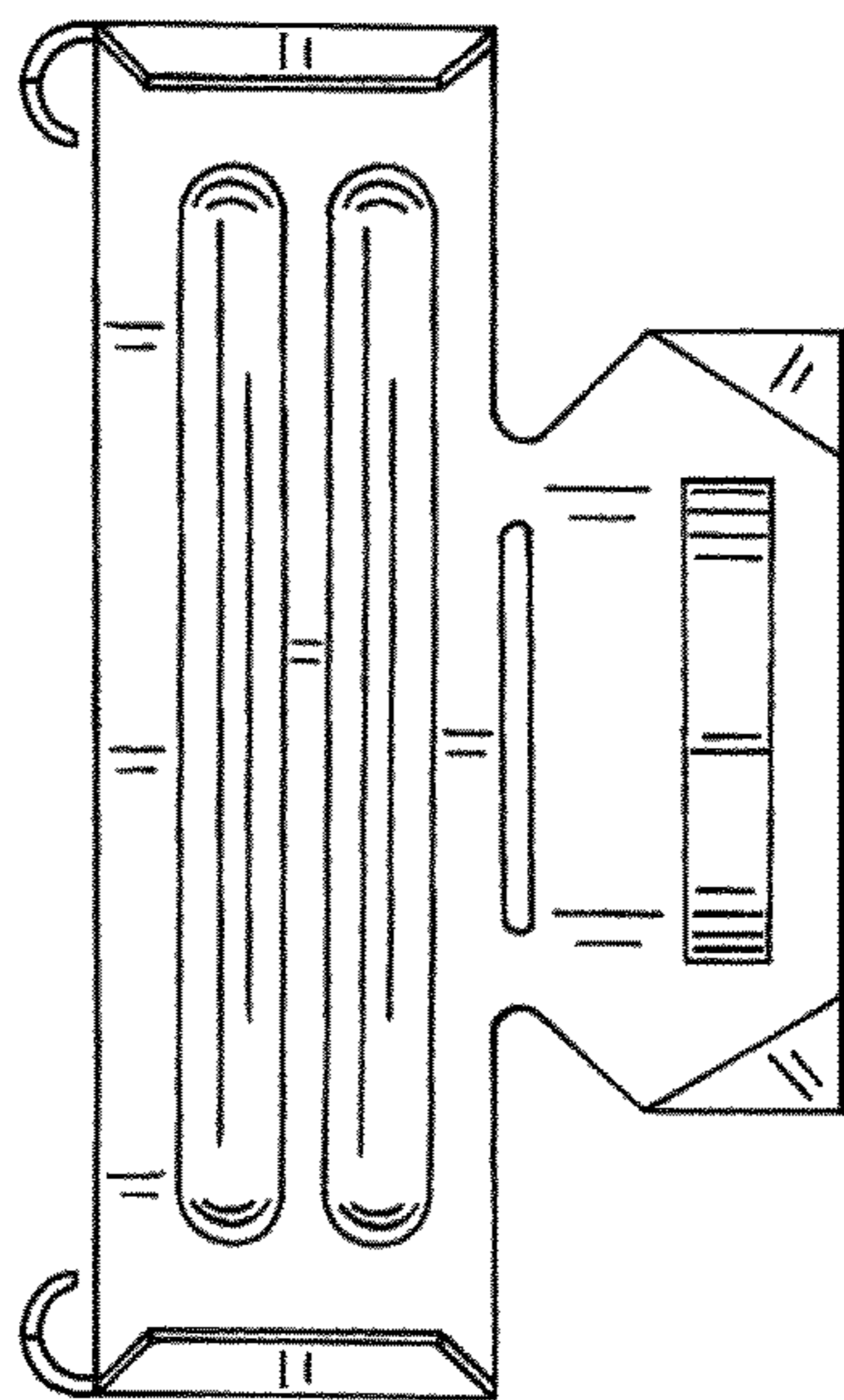


FIG 3

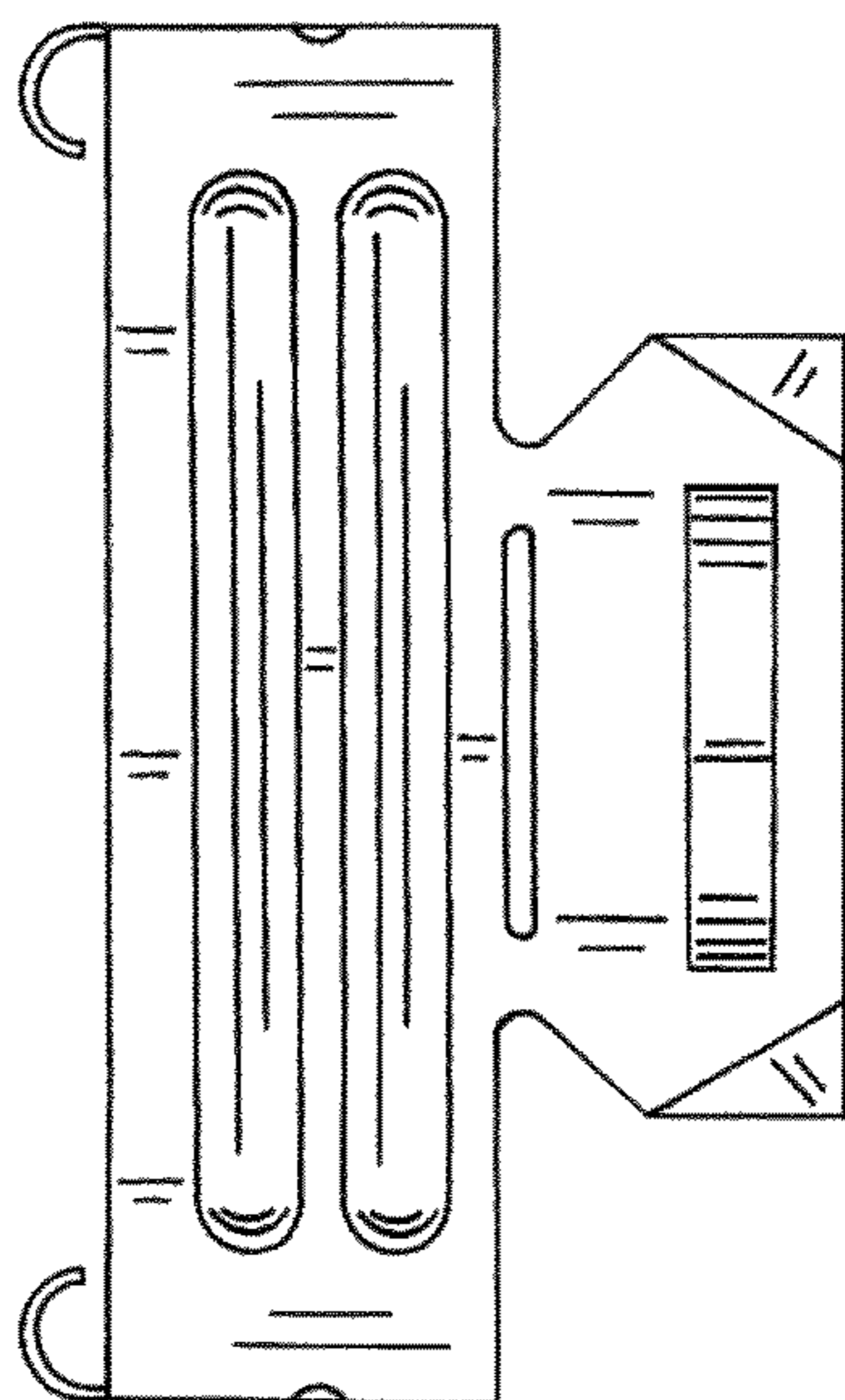


FIG 2

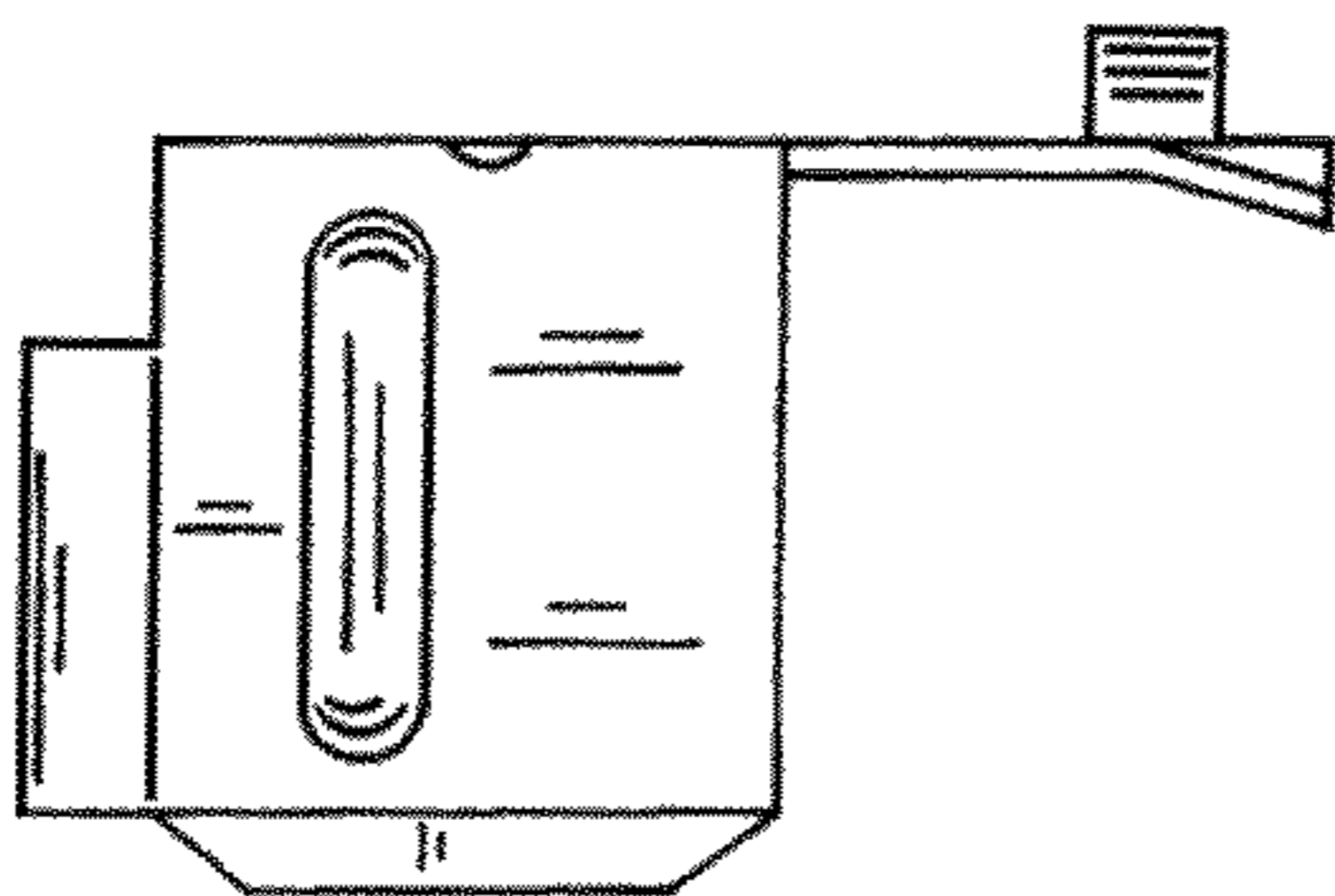


FIG 5

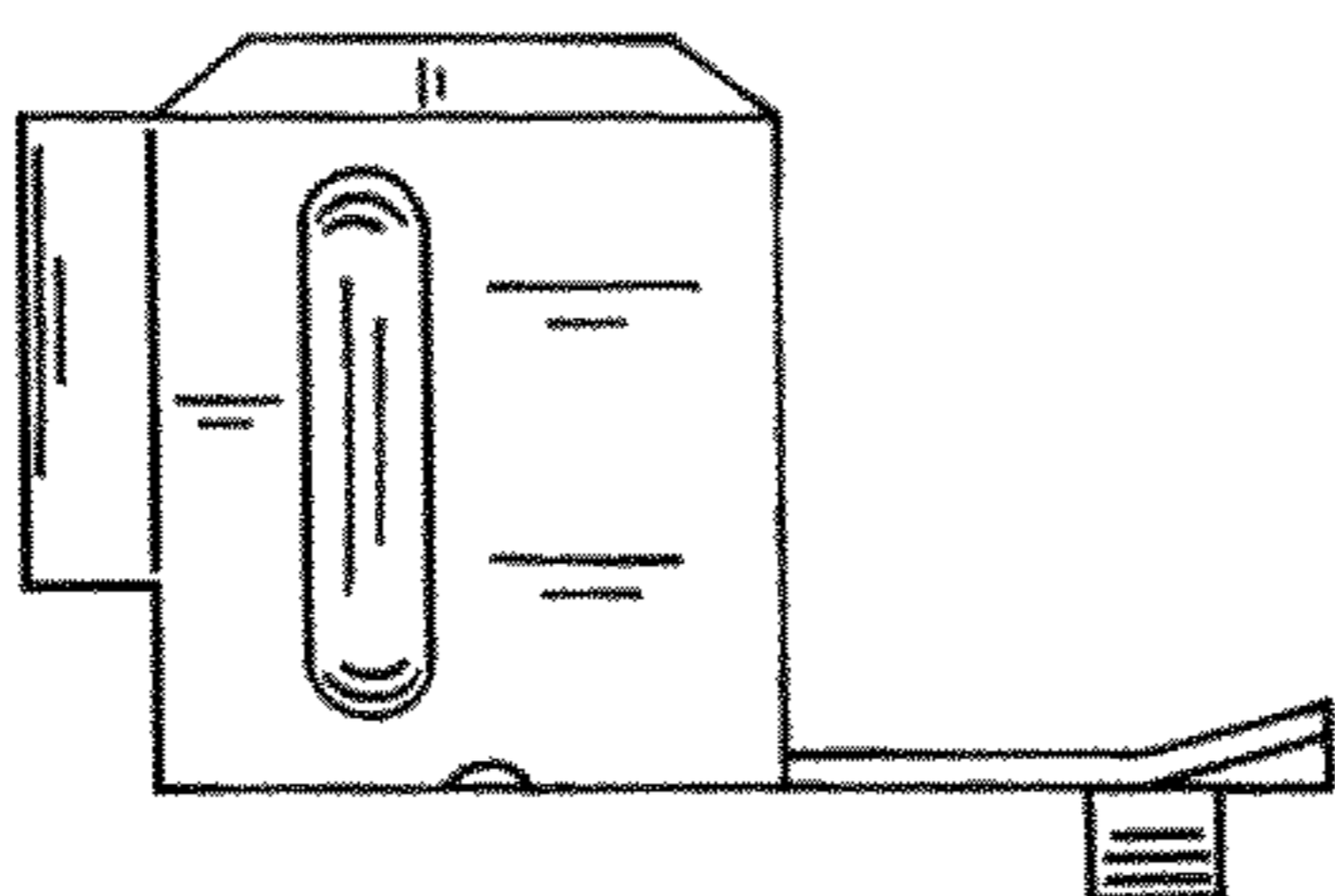


FIG 4

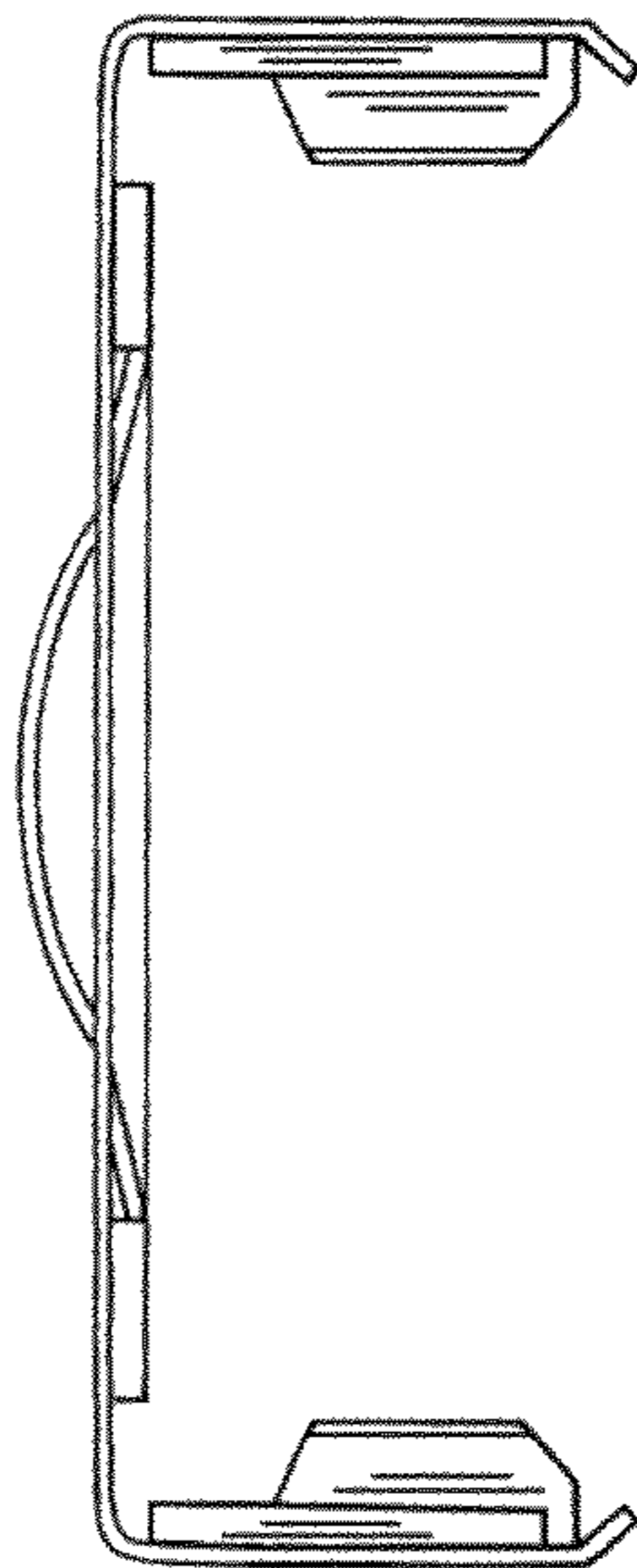


FIG 7

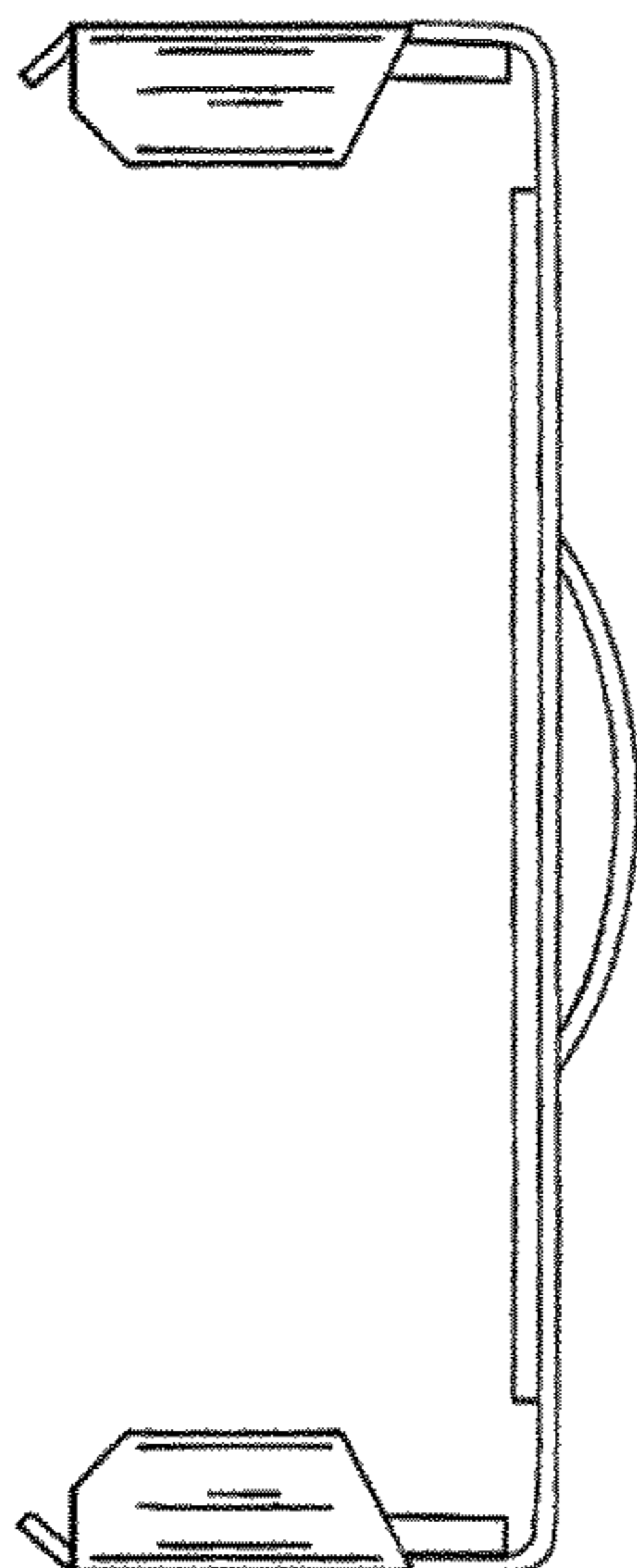


FIG 6

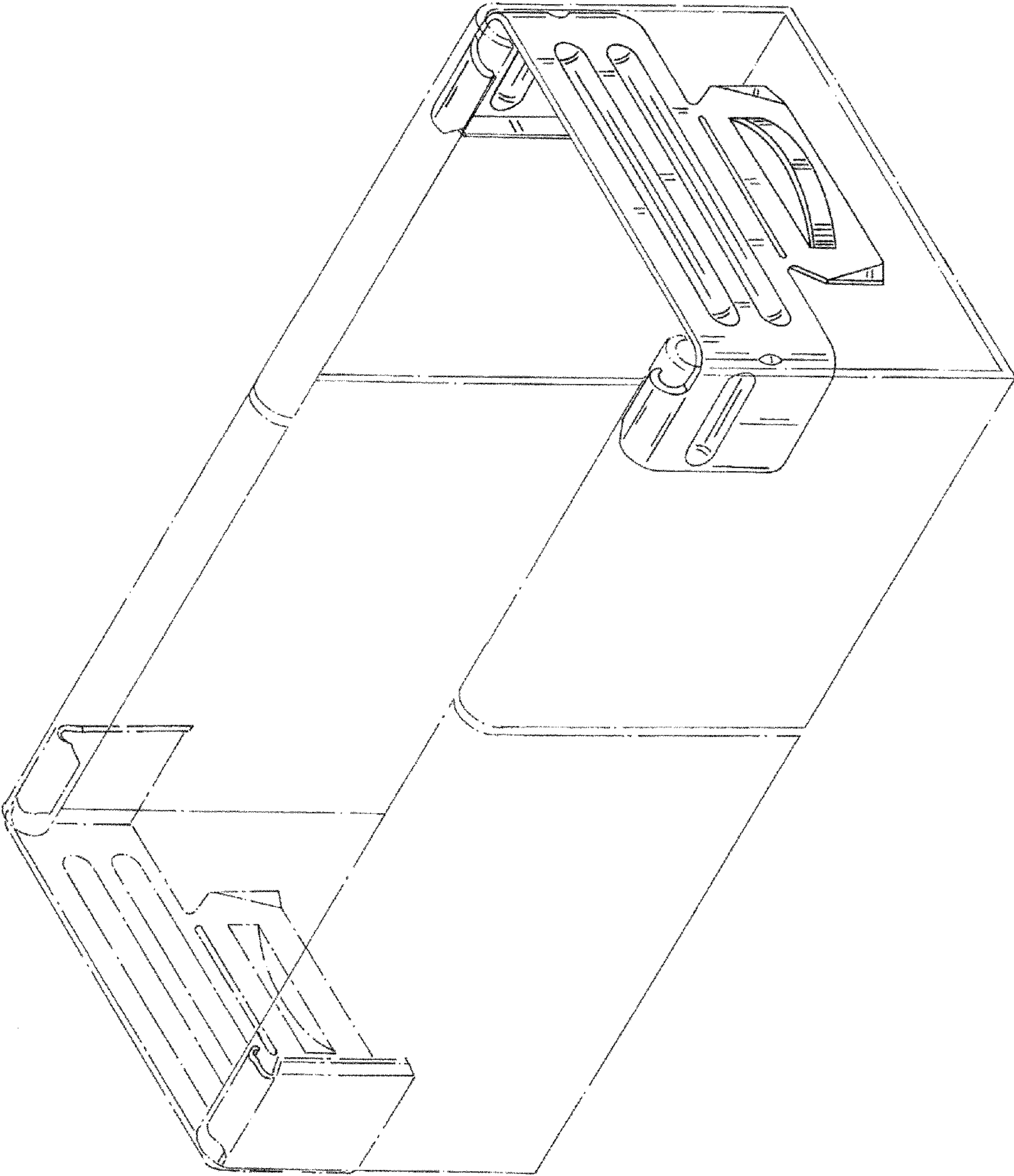


FIG 8