



US00D703969S

(12) **United States Design Patent**
Markwardt

(10) **Patent No.:** **US D703,969 S**

(45) **Date of Patent:** **** May 6, 2014**

(54) **TOWEL HOLDER**

6,279,775 B1 8/2001 Parkes et al.
D603,636 S 11/2009 Germany

* cited by examiner

(76) Inventor: **Terry Markwardt**, Austin, TX (US)

Primary Examiner — Brian N Vinson
(74) *Attorney, Agent, or Firm* — Abel Law Group, LLP;
David D. Griner

(**) Term: **14 Years**

(57) **CLAIM**

The ornamental design for a towel holder, as shown and described.

(21) Appl. No.: **29/423,988**

DESCRIPTION

(22) Filed: **Jun. 6, 2012**

(51) **LOC (10) Cl.** **06-04**

(52) **U.S. Cl.**
USPC **D6/546**

(58) **Field of Classification Search**

USPC D6/518–524, 546–550; D8/300, 370,
D8/315; 108/28–29; 211/13.1, 16, 85.5,
211/86.01, 87.01, 88.04, 100, 105.1, 105.2,
211/106, 113, 123, 181.1, 182–183;
248/49, 175, 176.1, 200, 201, 205.1,
248/251, 302, 309.1, 315; 242/570, 590,
242/595–598

See application file for complete search history.

FIG. 1 is a front view of the towel holder according to the present design.
FIG. 2 is a back view thereof.
FIG. 3 is a side view thereof. The right and left side views will be mirror images of each other.
FIG. 4 is a top view thereof.
FIG. 5 is a bottom view thereof.
FIG. 6 is front perspective view thereof.
FIG. 7 is rear perspective view thereof.
FIG. 8 is a front view of an alternative embodiment of the towel holder according to the present design. In FIG. 8, the flexible teeth are at a different angle with respect to the body of the towel holder than in the embodiment of FIG. 1; and, FIG. 9 is front view of the towel holder of FIG. 8 with a towel attached.

The broken lines shown in FIG. 9 are included for the purpose of illustrating environmental structure and form no part of the claimed design.

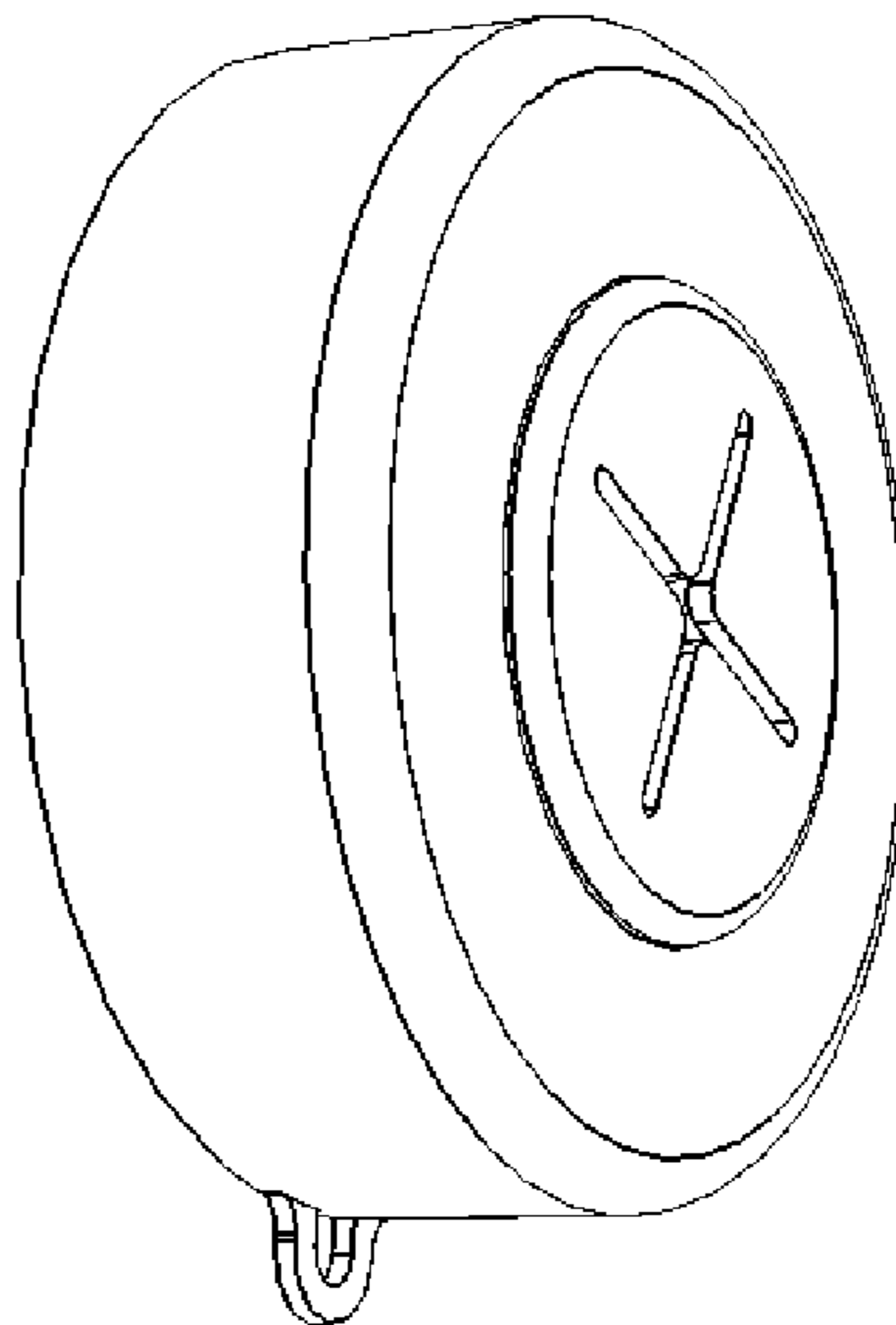
The article in which the present design is embodied is a towel holder having a plurality of flexible “teeth” in the center of its front face, which can be attached to a clip on its back suitable for attachment to a belt or clothing. The teeth can be flexible so that a portion of a towel or cloth can be pushed between the teeth, which then grip and hold the towel in place. The towel can then be easily disengaged with a simple one hand manual pulling action.

(56) **References Cited**

U.S. PATENT DOCUMENTS

2,513,846 A	7/1950	Collins	
D187,636 S	4/1960	Nagel et al.	
D250,924 S *	1/1979	Helsm	D6/547
D321,450 S	11/1991	Goodman et al.	
D343,752 S *	2/1994	Corbin	D6/546
5,318,292 A	6/1994	De Marco	
D372,388 S *	8/1996	Kineman, Sr.	D6/547
5,553,345 A	9/1996	Bell	
D424,408 S	5/2000	Garibay et al.	
D429,586 S	8/2000	Holcomb	
D434,752 S	12/2000	Kudo	
D442,408 S *	5/2001	de Vries	D6/546

1 Claim, 8 Drawing Sheets



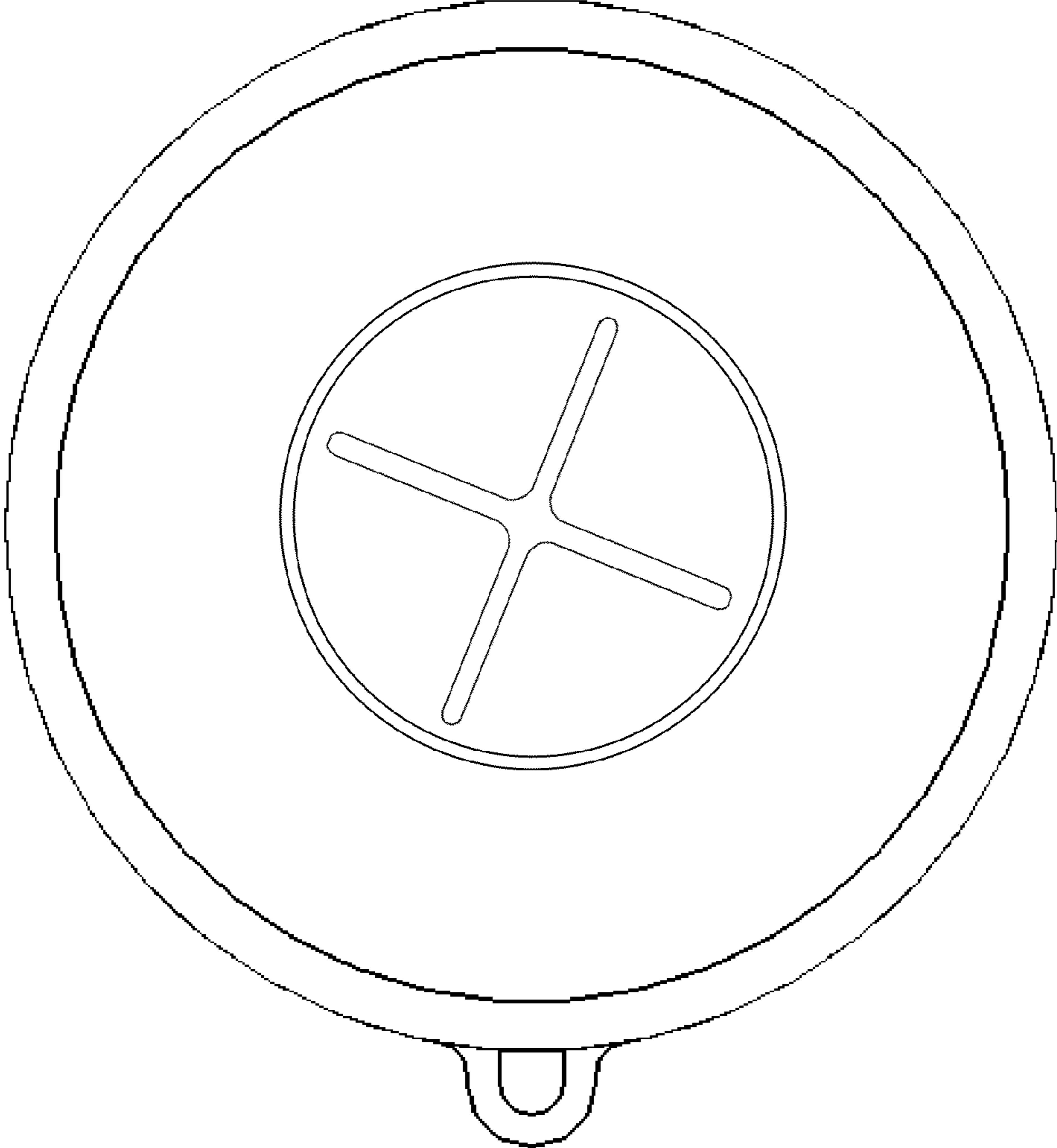


FIG. 1

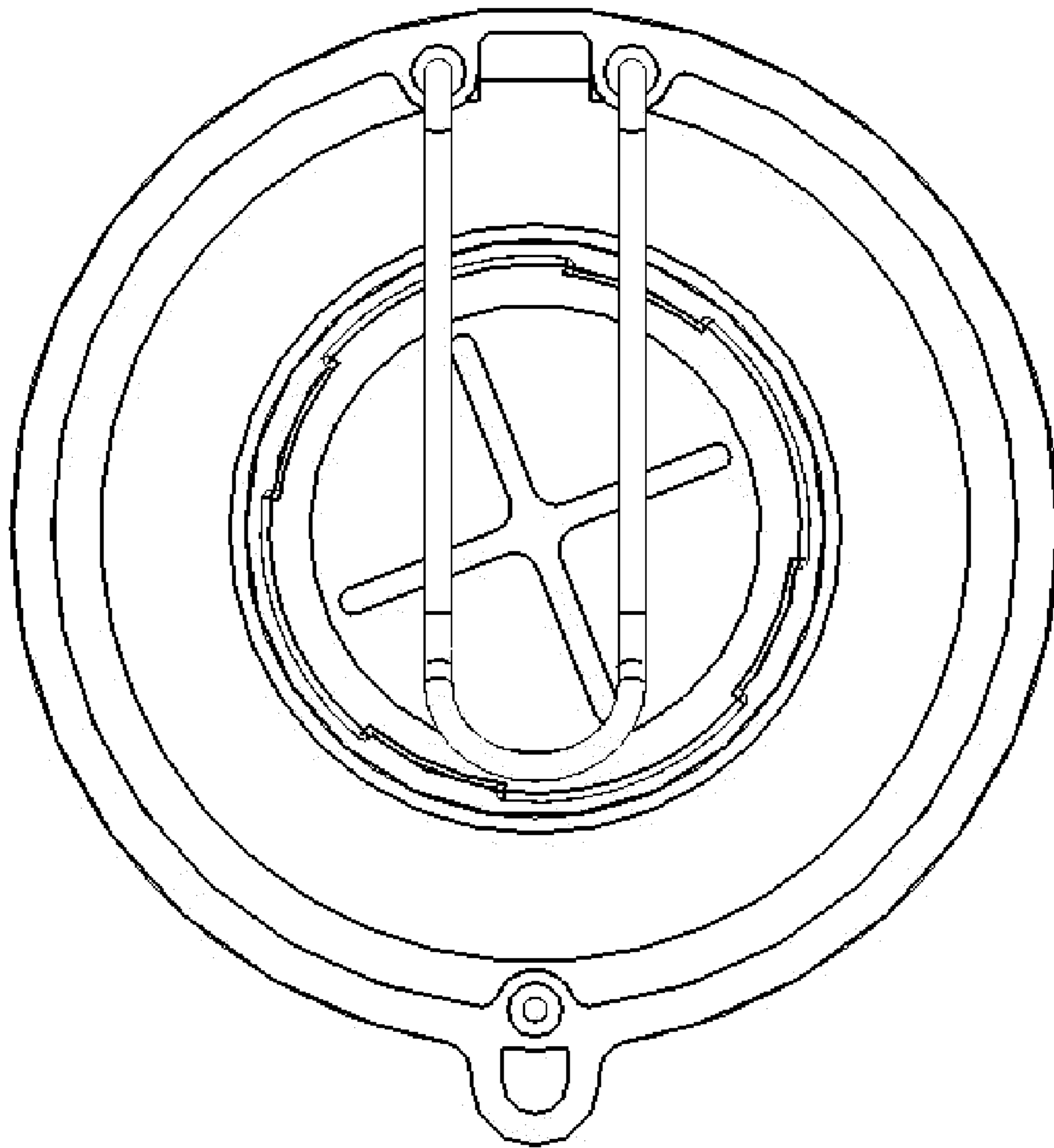


FIG. 2

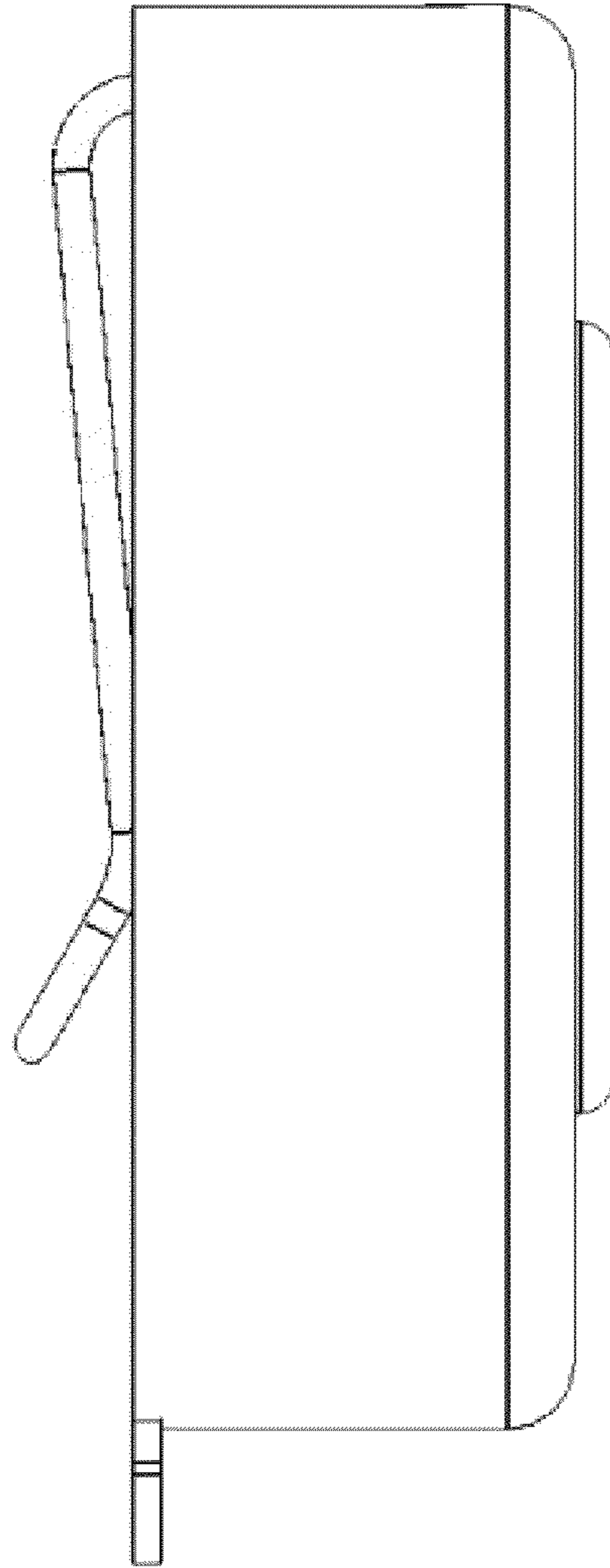


FIG. 3

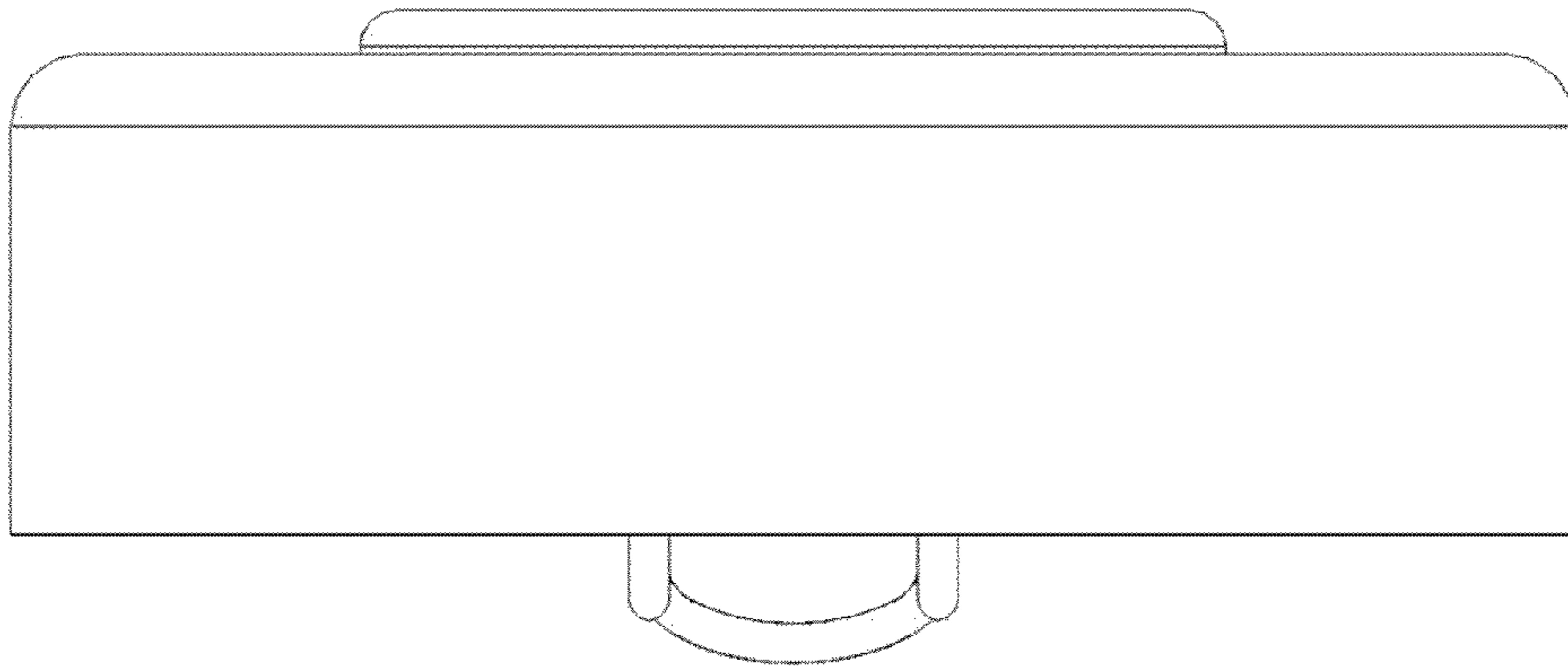


FIG. 4

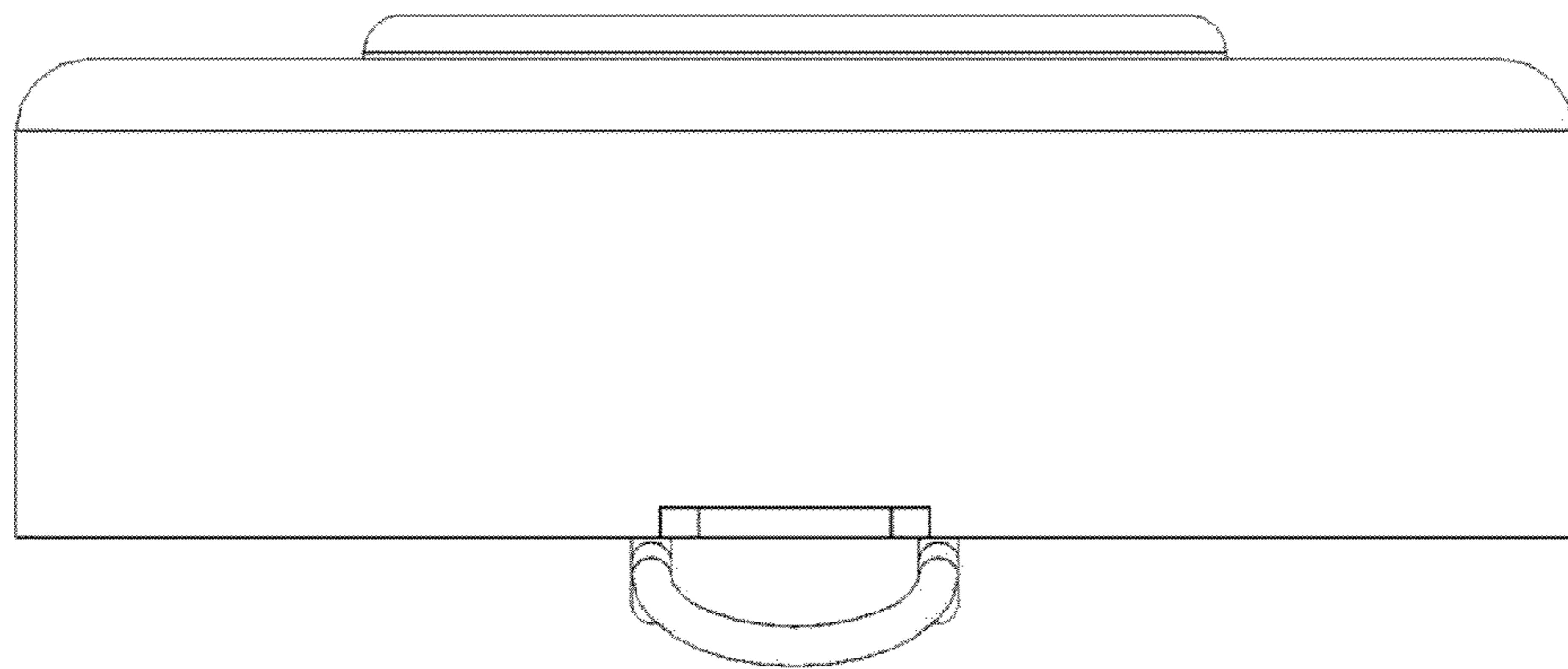


FIG. 5

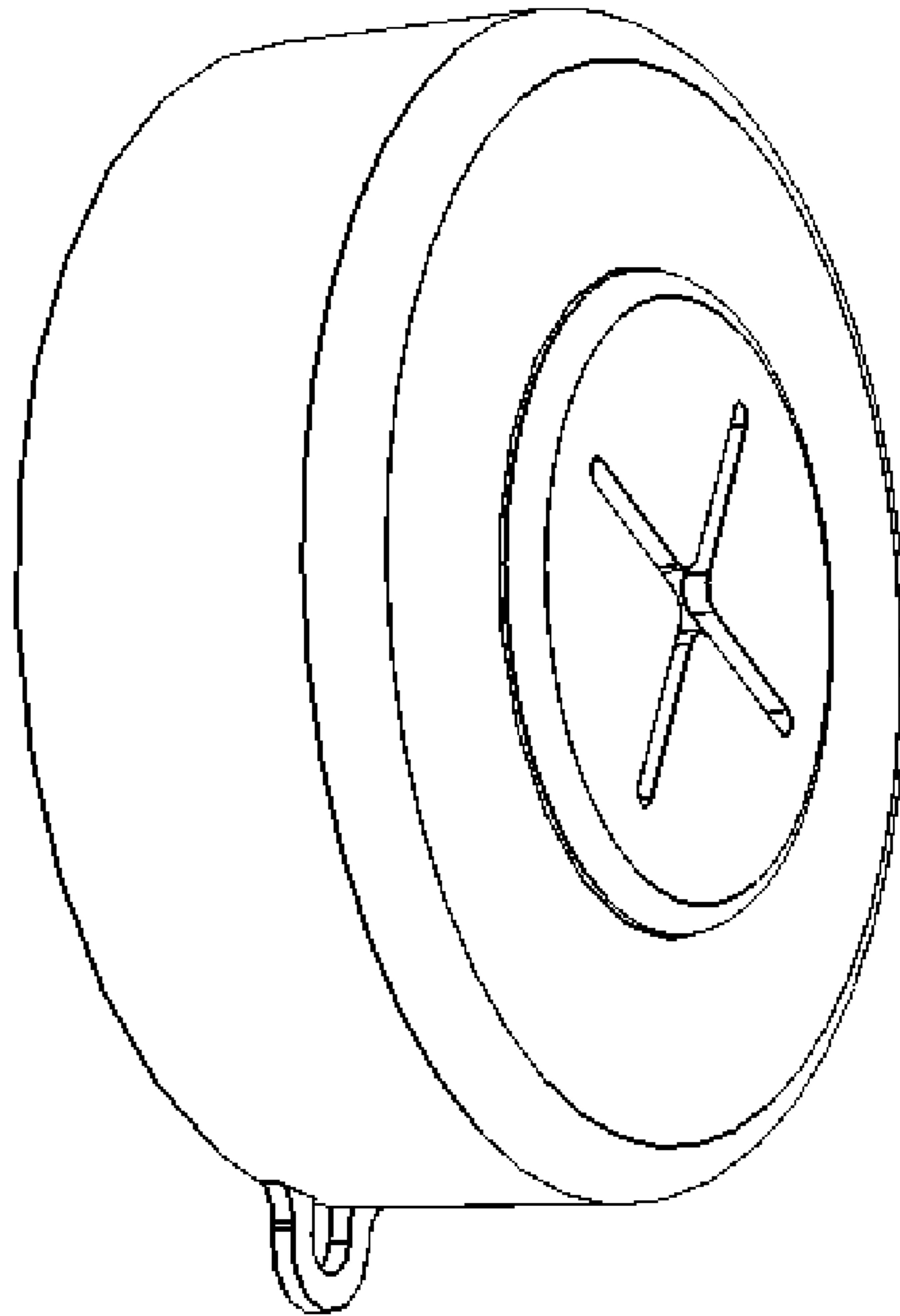


FIG. 6

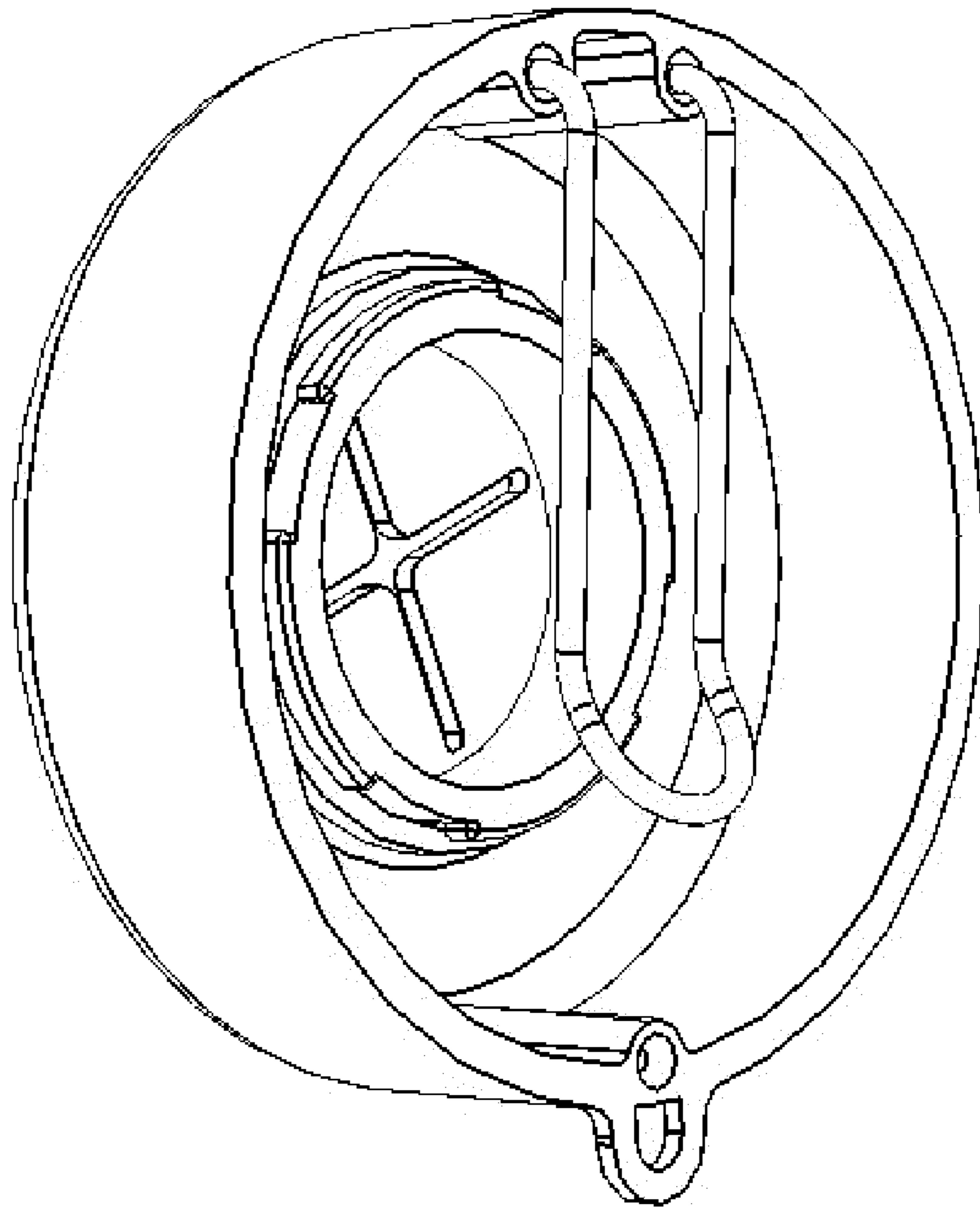


FIG. 7

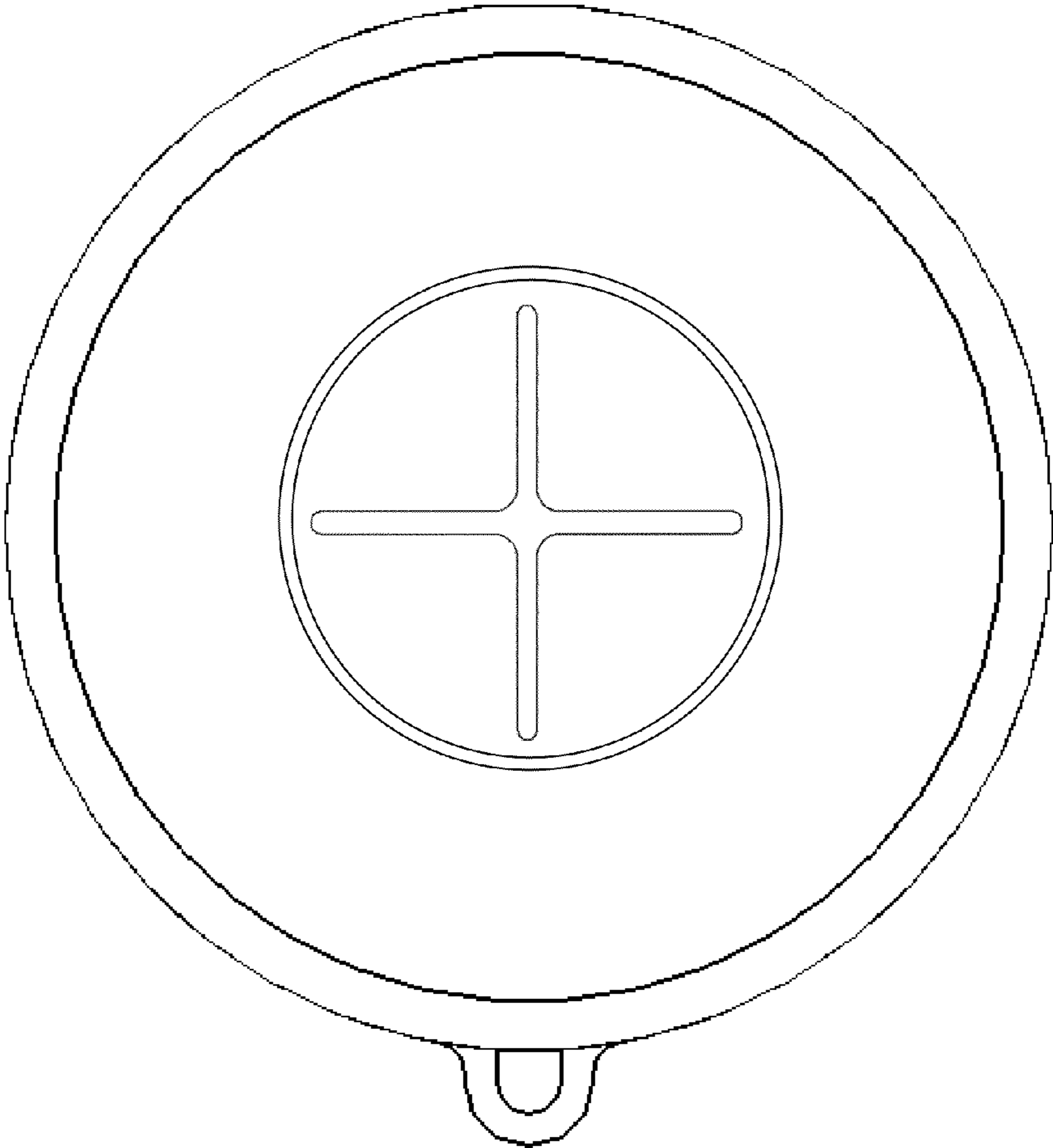


FIG. 8

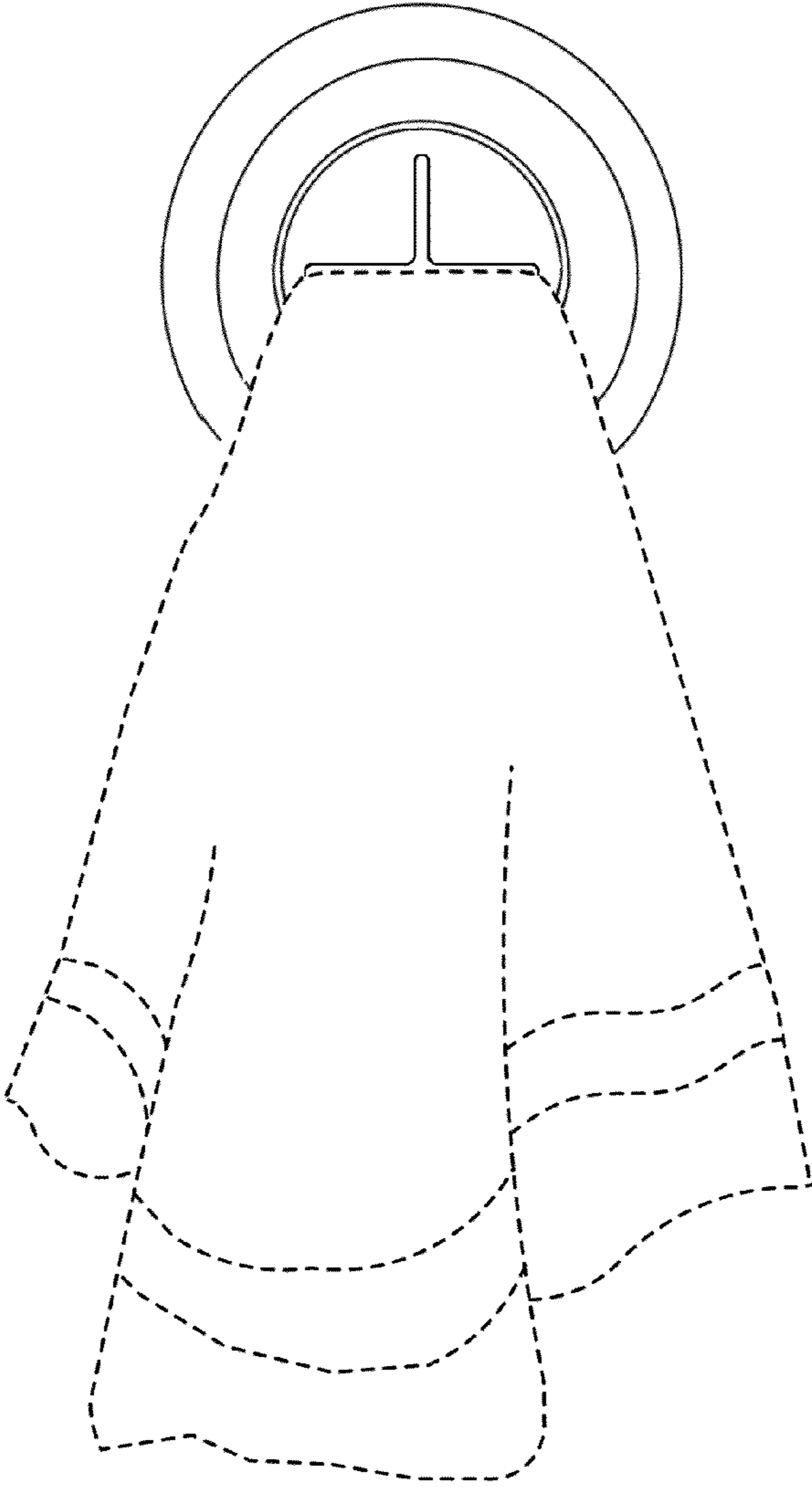


FIG. 9