



US00D703967S

(12) **United States Design Patent**  
**Townsend**

(10) **Patent No.:** **US D703,967 S**

(45) **Date of Patent:** **\*\* May 6, 2014**

(54) **CHAIR**

(71) Applicant: **Richard W. Townsend**, Katonah, NY  
(US)

(72) Inventor: **Richard W. Townsend**, Katonah, NY  
(US)

(73) Assignee: **Richard W Townsend**, Katonah, NY  
(US)

(\*\*) Term: **14 Years**

(21) Appl. No.: **29/442,534**

(22) Filed: **Mar. 18, 2013**

(51) **LOC (10) Cl.** ..... **06-01**

(52) **U.S. Cl.**  
USPC ..... **D6/370**

(58) **Field of Classification Search**  
USPC ..... D6/334–336, 360, 370–371, 374–376,  
D6/379–380, 500–502; 297/232, 411.41,  
297/445.1, 446.1, 461  
See application file for complete search history.

(56) **References Cited**

**U.S. PATENT DOCUMENTS**

D102,695 S *	1/1937	McLellan	.....	D6/370
D248,700 S *	8/1978	Moser	.....	D6/379
D282,703 S *	2/1986	Allen	.....	D6/370
D341,262 S *	11/1993	Berlic	.....	D6/370
D342,167 S *	12/1993	Hess	.....	D6/376
D355,079 S *	2/1995	Leduc	.....	D6/370
D355,535 S *	2/1995	Ward	.....	D6/370
D385,119 S *	10/1997	Chipman	.....	D6/379
D390,023 S *	2/1998	Berlic	.....	D6/370
D404,583 S *	1/1999	Muller	.....	D6/370
D430,748 S *	9/2000	Chalmers et al.	.....	D6/370

D433,575 S *	11/2000	Buehler	.....	D6/370
D491,379 S *	6/2004	Vanderminden, Sr.	.....	D6/370
D498,938 S *	11/2004	Kingsley et al.	.....	D6/370
D512,572 S *	12/2005	Peterson et al.	.....	D6/334
D513,889 S *	1/2006	Peterson et al.	.....	D6/334
D514,359 S *	2/2006	Risdon	.....	D6/502
D515,833 S *	2/2006	Singer	.....	D6/372
D521,263 S *	5/2006	Lowsky	.....	D6/369
D526,499 S *	8/2006	Domack et al.	.....	D6/374
D542,045 S *	5/2007	Moser	.....	D6/379
D546,569 S *	7/2007	Jones	.....	D6/334
D547,961 S *	8/2007	Hutton et al.	.....	D6/370
D551,460 S *	9/2007	Moser	.....	D6/380
D589,272 S *	3/2009	Everson	.....	D6/370
D609,035 S *	2/2010	Muller	.....	D6/500
D648,143 S *	11/2011	Lambert et al.	.....	D6/334
D656,337 S *	3/2012	Townsend	.....	D6/380
D659,424 S *	5/2012	Gramza et al.	.....	D6/380
D660,041 S *	5/2012	Rode	.....	D6/374
D660,611 S *	5/2012	Barile	.....	D6/374
D661,119 S *	6/2012	Rode	.....	D6/374
D676,255 S *	2/2013	Sullivan	.....	D6/380
D679,111 S *	4/2013	Asner	.....	D6/370

\* cited by examiner

*Primary Examiner* — Kelley Donnelly

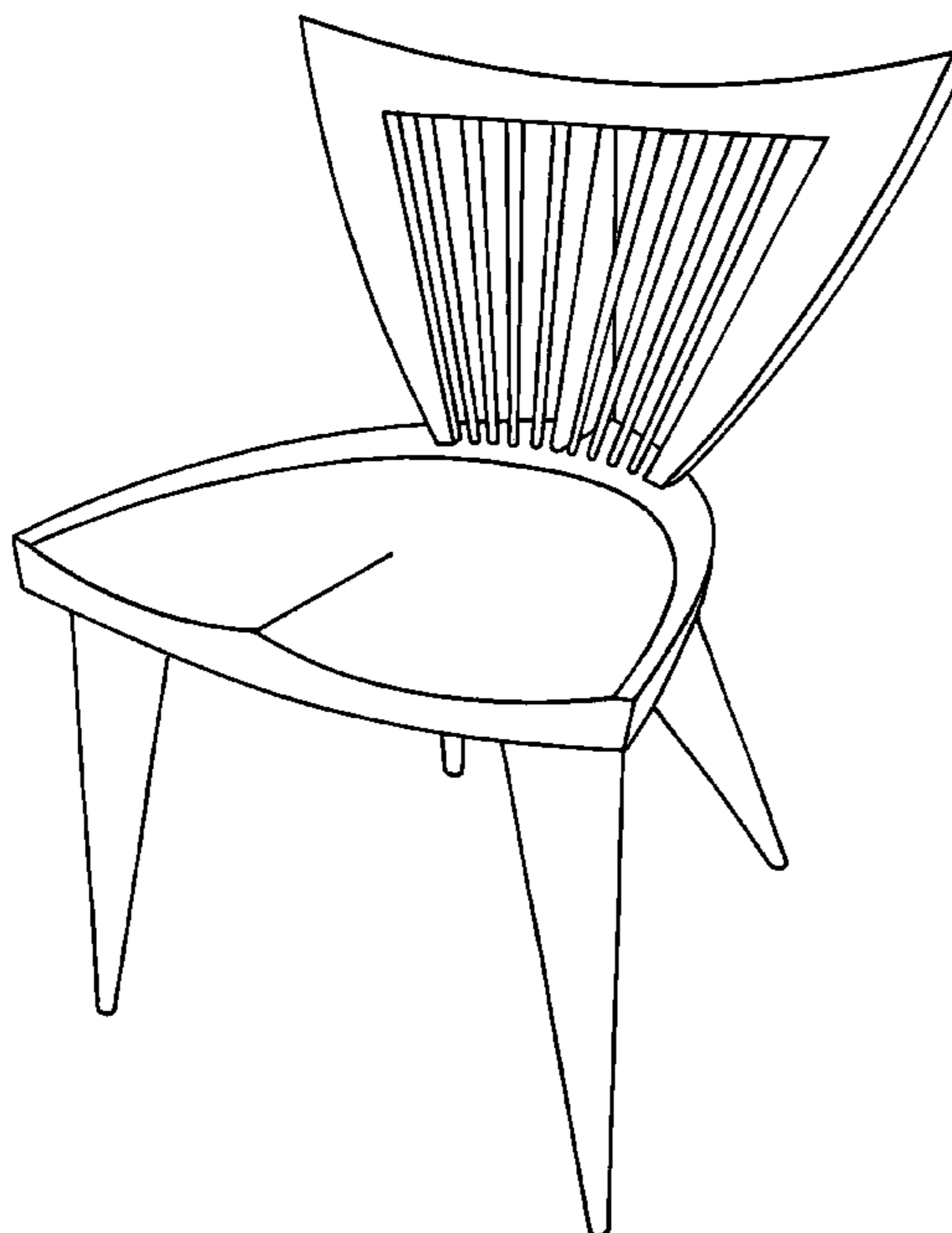
(57) **CLAIM**

The ornamental design for a chair, as shown and described.

**DESCRIPTION**

FIG. 1 is a perspective view of the chair.  
FIG. 2 is a front view of the chair.  
FIG. 3 is a right side view of the chair.  
FIG. 4 is a left side view of the chair.  
FIG. 5 is a rear end view of the chair.  
FIG. 6 is a top plan view of the chair; and,  
FIG. 7 is an underside plan view of the chair.

**1 Claim, 7 Drawing Sheets**



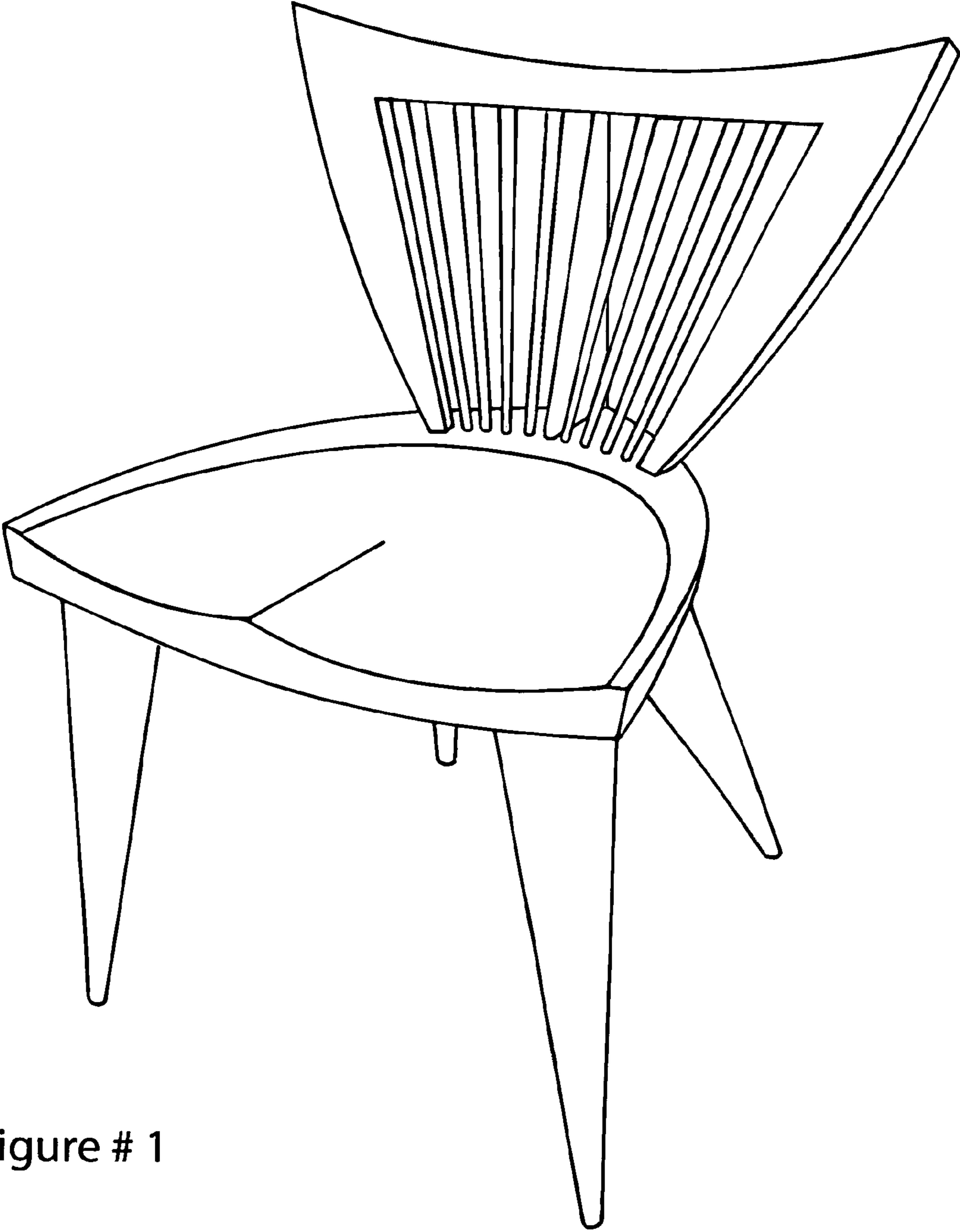


Figure # 1

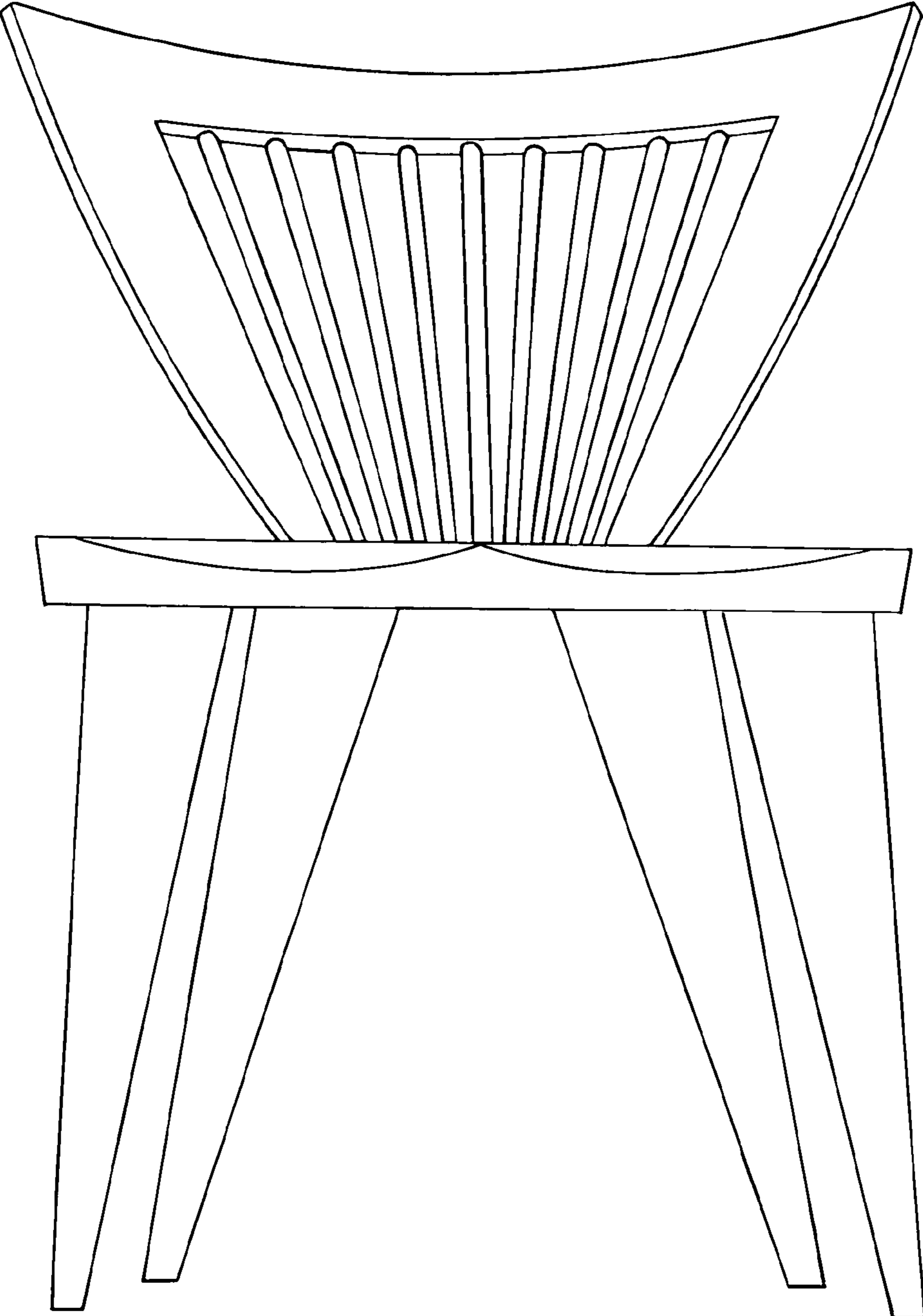


Figure # 2

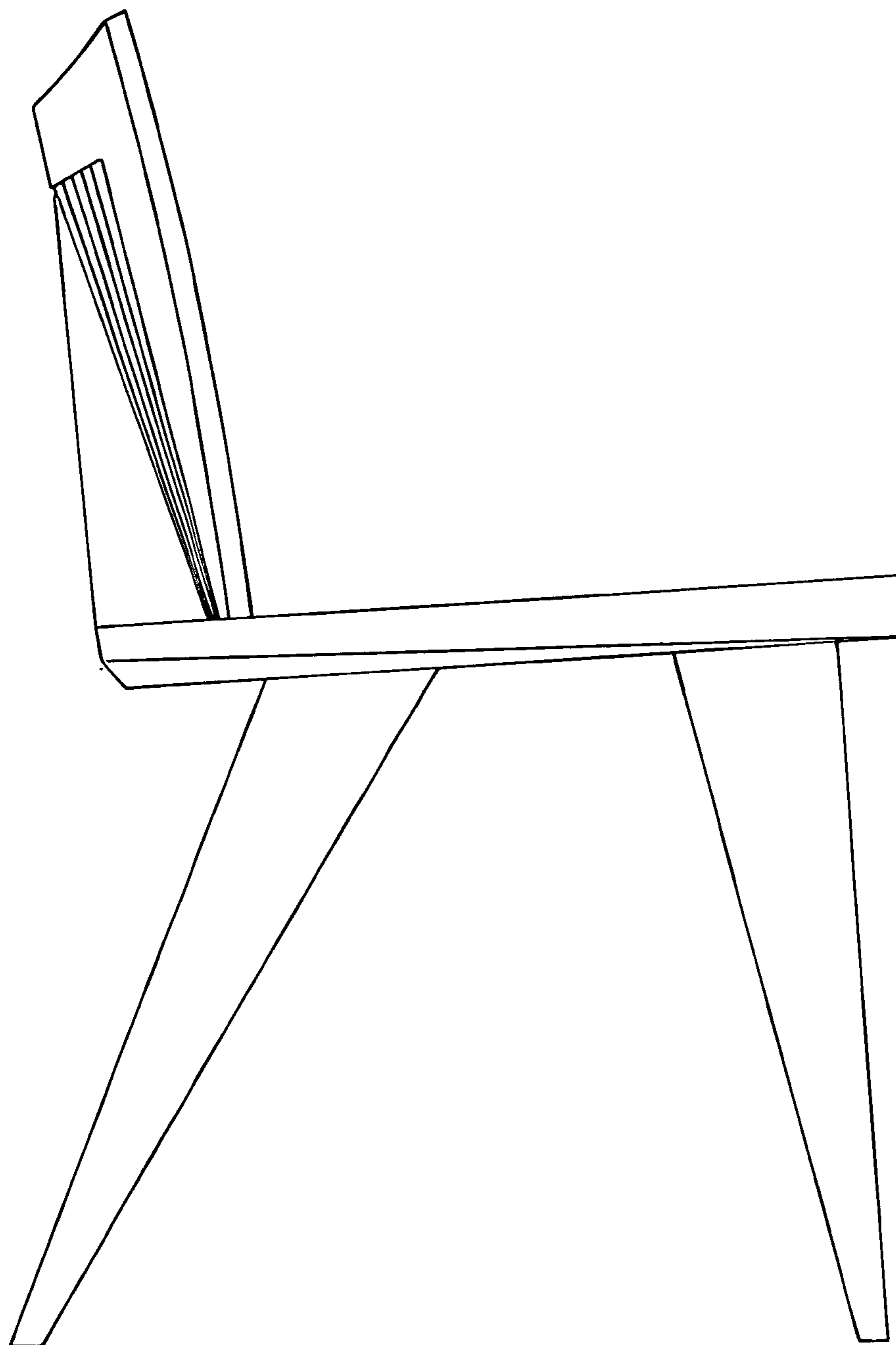


Figure # 3

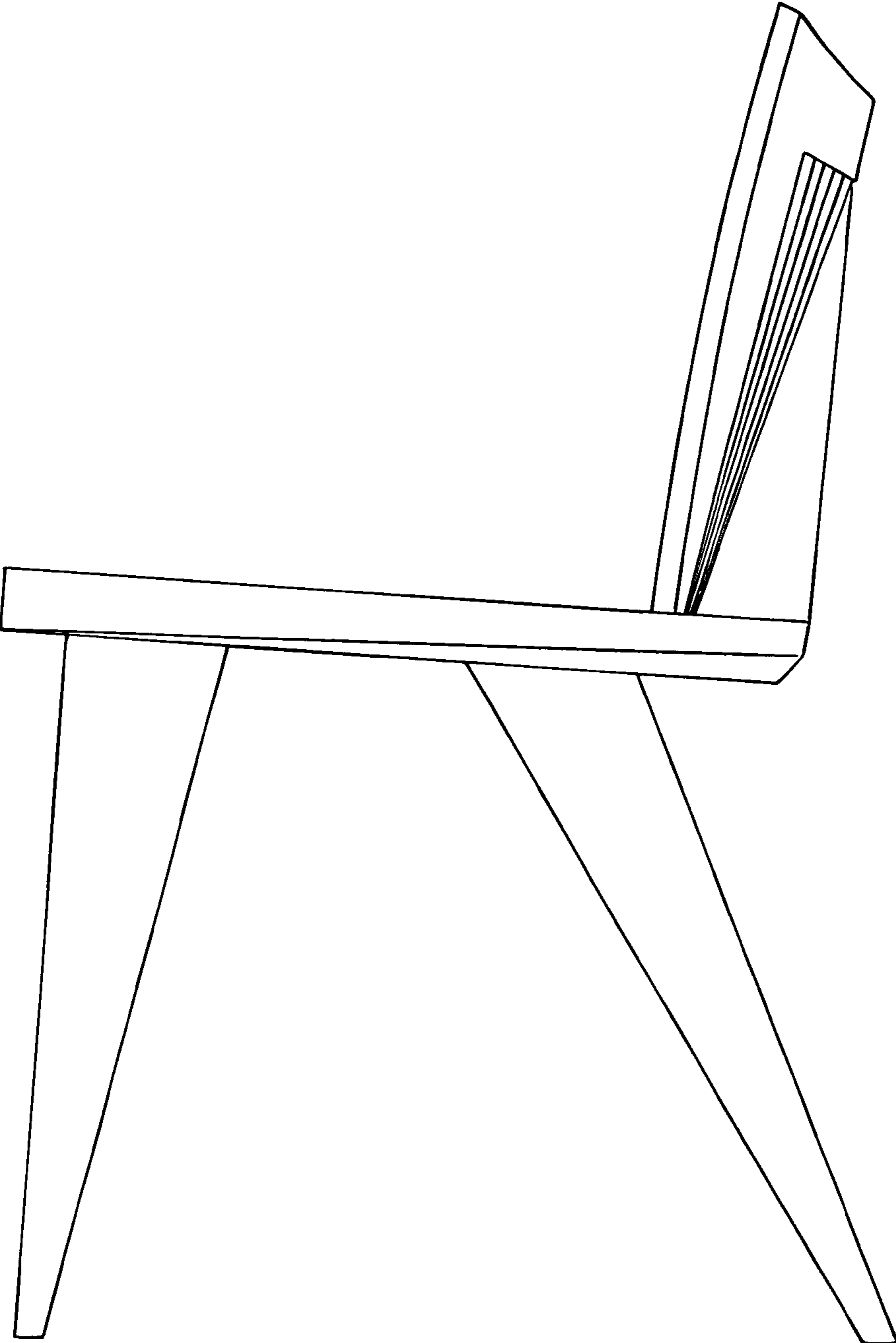


Figure # 4

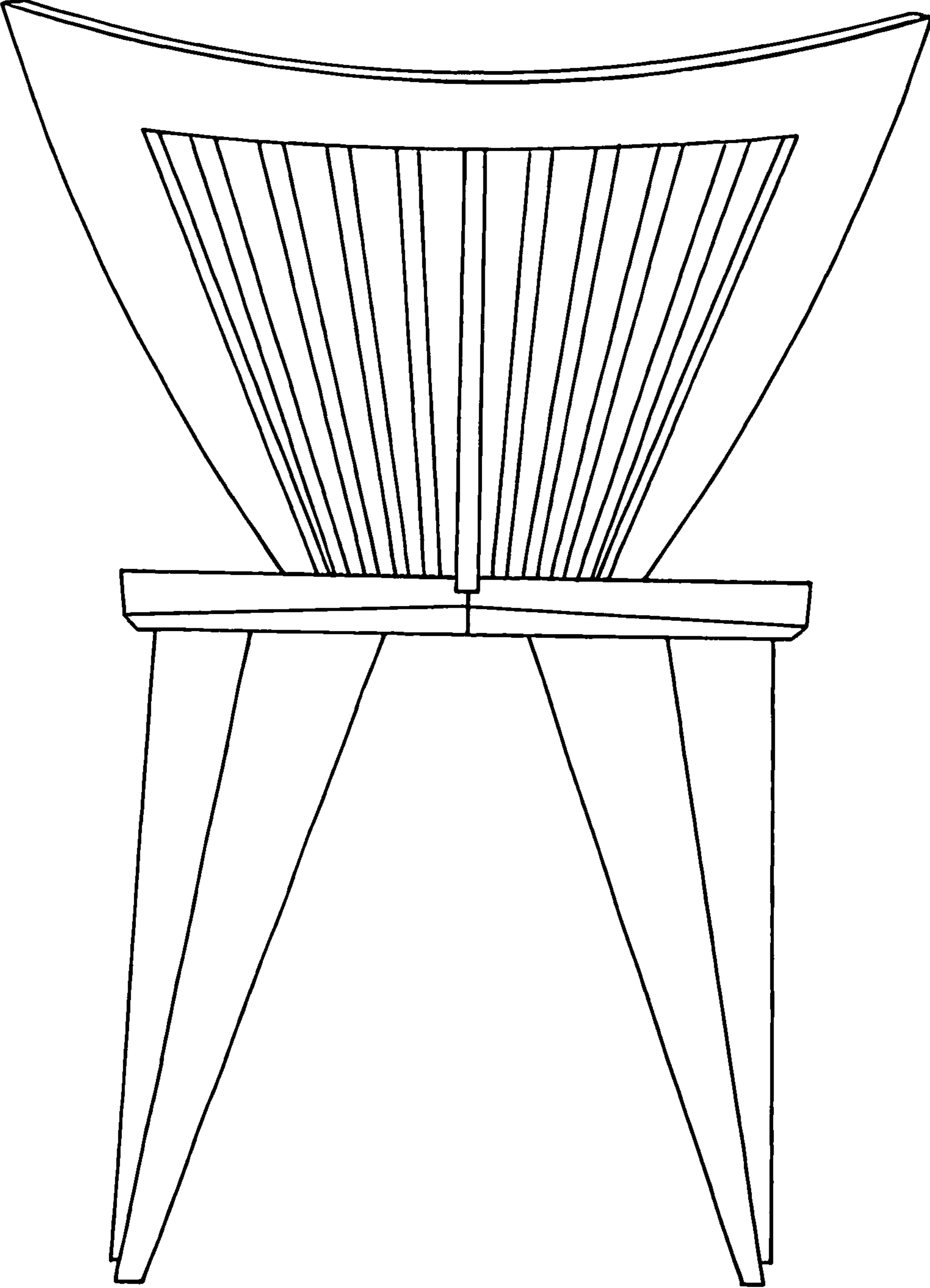


Figure # 5



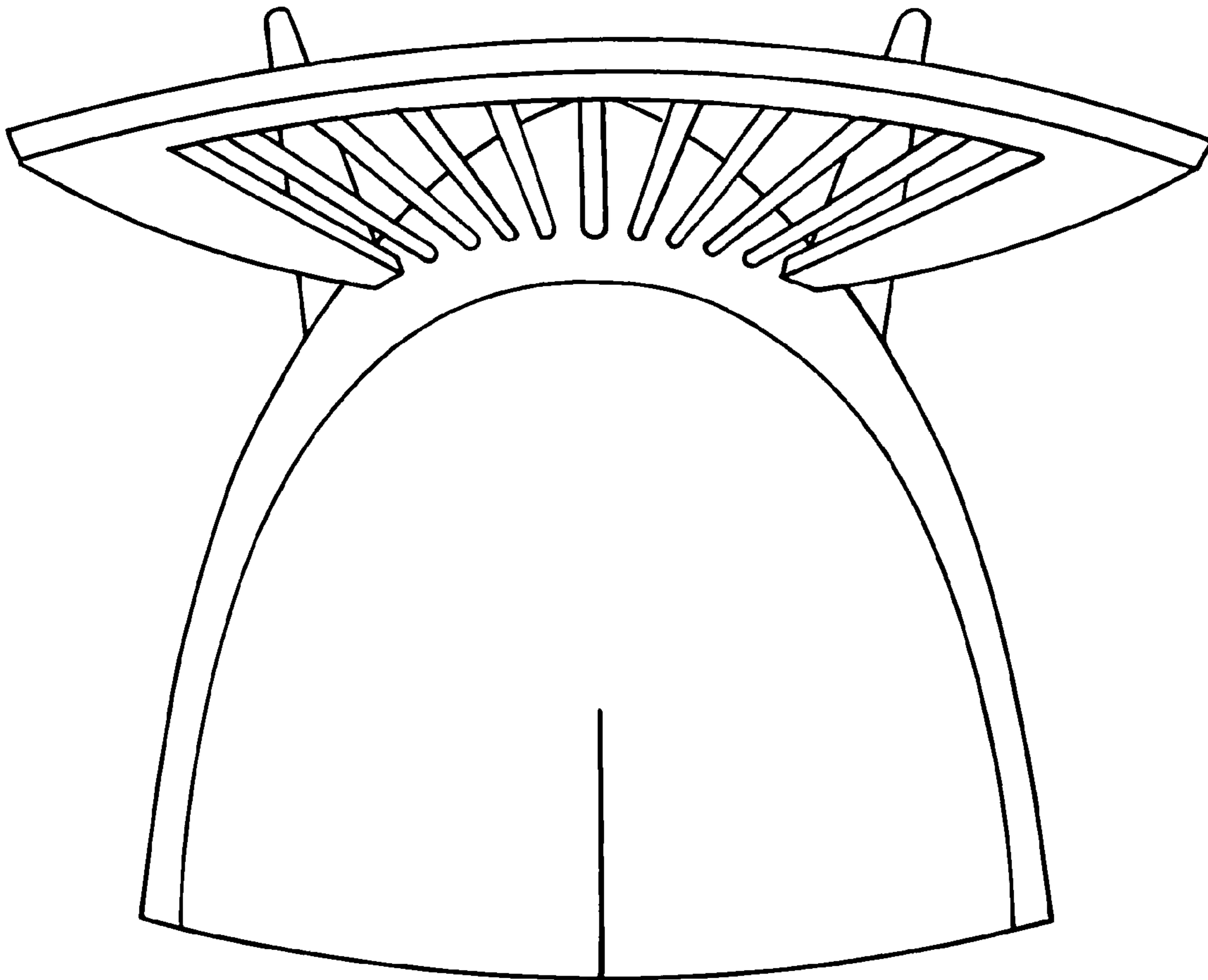


Figure # 6

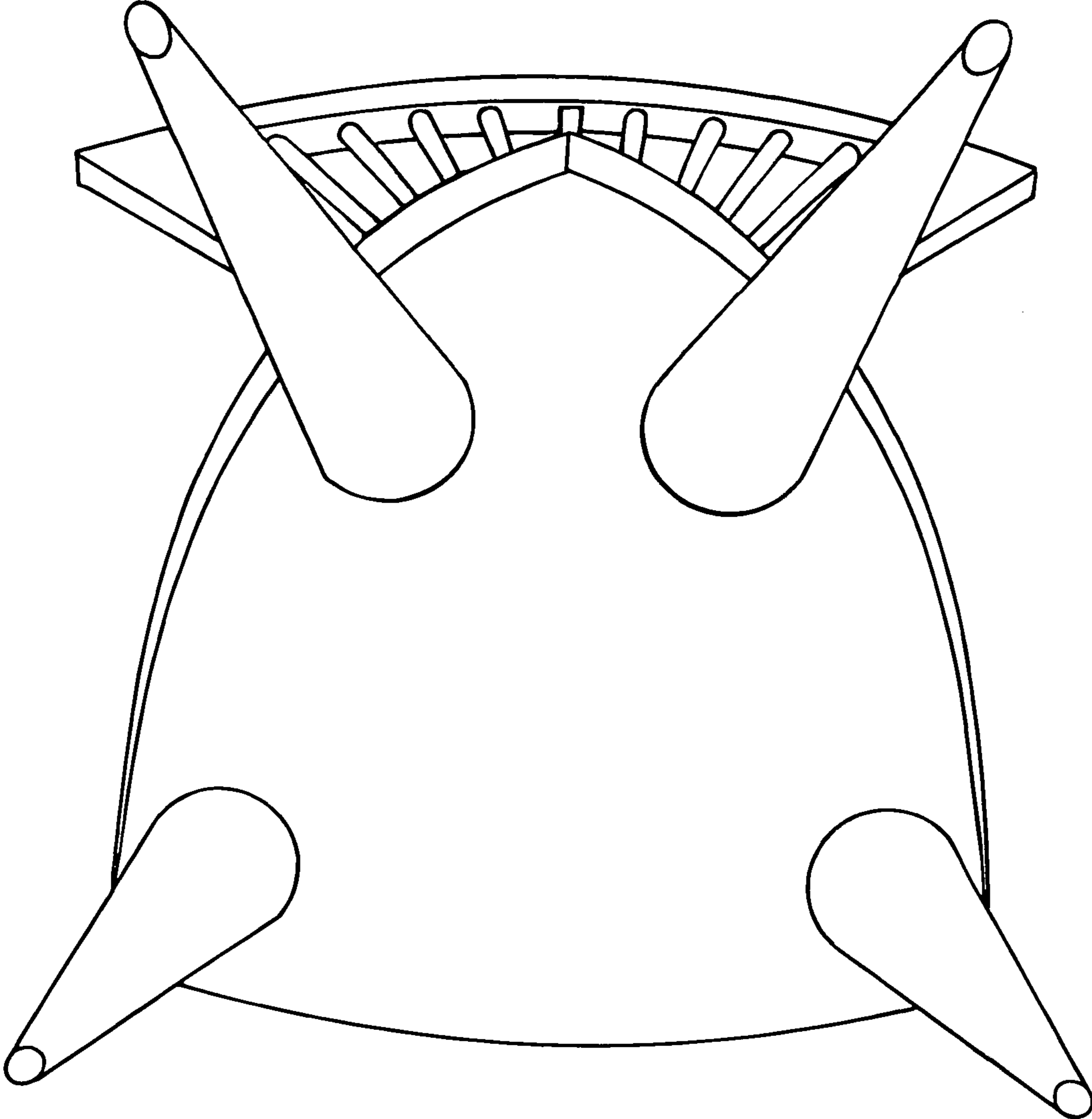


Figure # 7