



US00D703963S

(12) **United States Design Patent**
Tuncel

(10) **Patent No.:** **US D703,963 S**

(45) **Date of Patent:** **** May 6, 2014**

(54) **FANNING BENCH**

(71) Applicant: **Levent Tuncel**, Marietta, GA (US)

(72) Inventor: **Levent Tuncel**, Marietta, GA (US)

(**) Term: **14 Years**

(21) Appl. No.: **29/441,205**

(22) Filed: **Jan. 2, 2013**

(51) **LOC (10) Cl.** **06-01**

(52) **U.S. Cl.**
USPC **D6/349; D6/353**

(58) **Field of Classification Search**
USPC D6/330, 337, 341, 346, 349–355, 357,
D6/362, 364–373, 376, 377, 381, 645, 656,
D6/658, 665, 674, 675.5, 676, 690, 691,
D6/694, 704, 705, 707, 707.19,
D6/716.1–716.6, 717, 717.2; 297/423.12,
297/423.13, 423.37, 461, 462, 115, 116,
297/135, 160–162

See application file for complete search history.

(56) **References Cited**

U.S. PATENT DOCUMENTS

D357,364 S *	4/1995	Dionne et al.	D6/368
D438,730 S *	3/2001	D’Urso et al.	D6/480
D595,973 S *	7/2009	Skalka	D6/381
D638,233 S *	5/2011	Perunovic	D6/381
D645,670 S *	9/2011	Garrels	D6/362

OTHER PUBLICATIONS

Fan Bench. [online] Retrieved Aug. 29, 2013 from URL: <http://www.red-dot.sg/en/online-exhibition/concept/?code=541&y=2012&c=1&a=0>.*

Snuggle Bench 02 (S). [online] Retrieved Aug. 29, 2013 from URL: <http://www.architecturalbrass.com/index.php/component/virtuemart/benches/stone-benches/snuggle/snuggle-bench-02-s-detail.html?Itemid=0>.*

* cited by examiner

Primary Examiner — Susan Bennett Hattan

Assistant Examiner — Vy Koenig

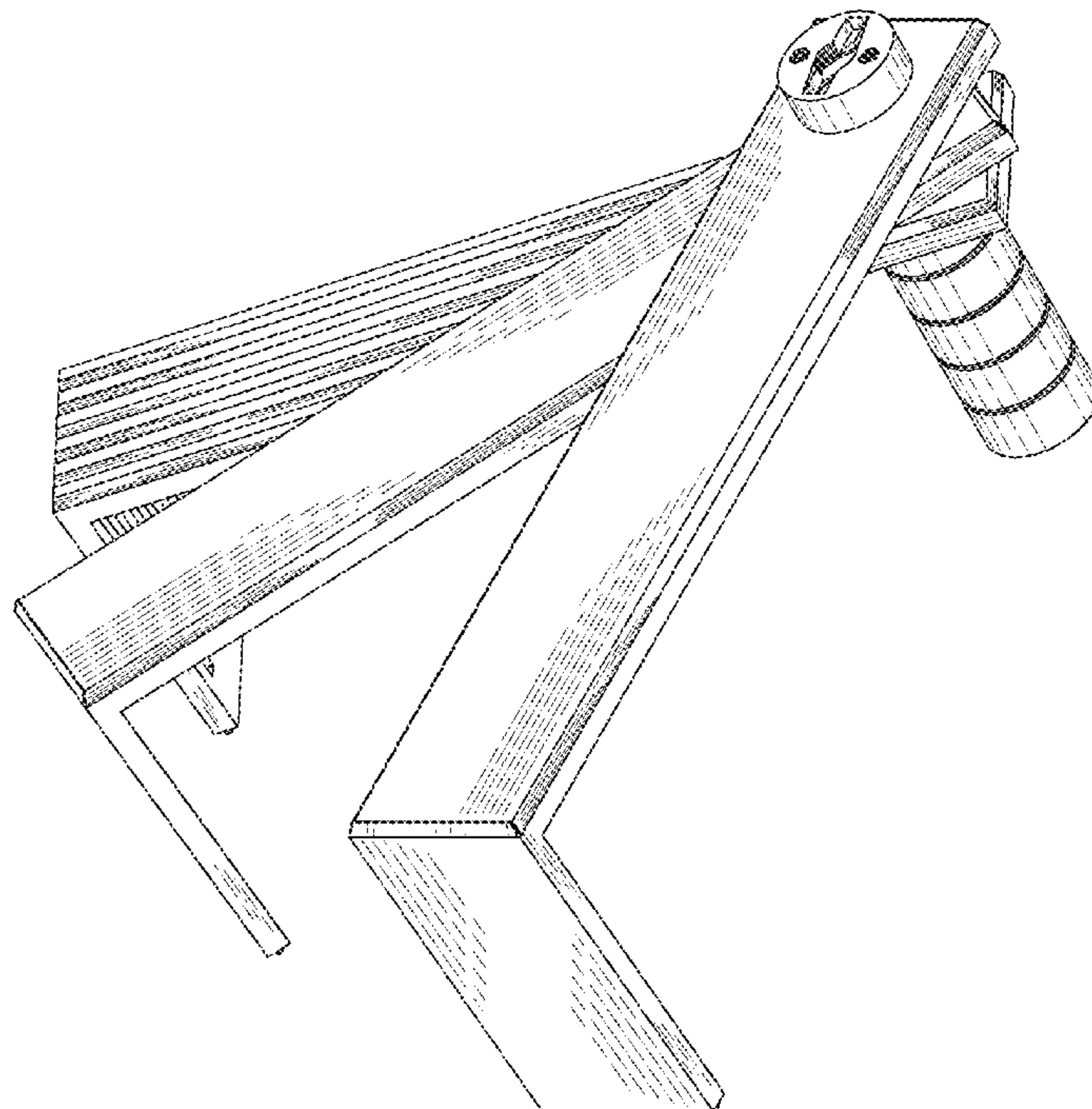
(57) **CLAIM**

The ornamental design for a fanning bench, as shown and described.

DESCRIPTION

FIG. 1 is a perspective view of an expanded fanning bench; FIG. 2 is a front elevational view thereof; FIG. 3 is a rear elevational view thereof; FIG. 4 is a right-side elevational view thereof; FIG. 5 is a left-side elevational view thereof; FIG. 6 is a top plan view thereof; FIG. 7 is a bottom plan view thereof; and, FIG. 8 is a perspective view wherein the three resting surfaces are alternatively stored beneath one another. The broken lines in the drawings depict environmental features that form no part of the claimed design.

1 Claim, 8 Drawing Sheets



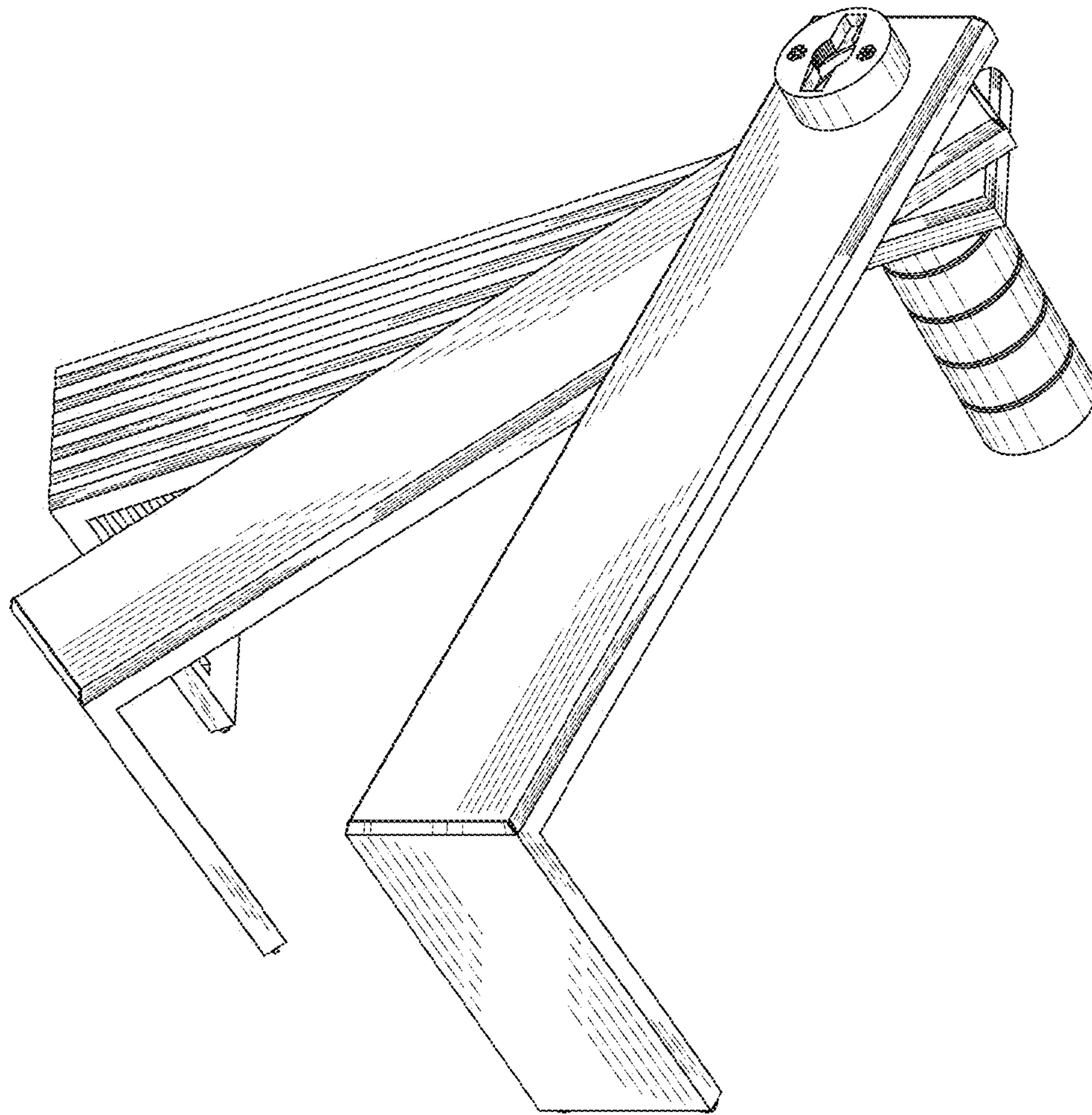


FIG. 1

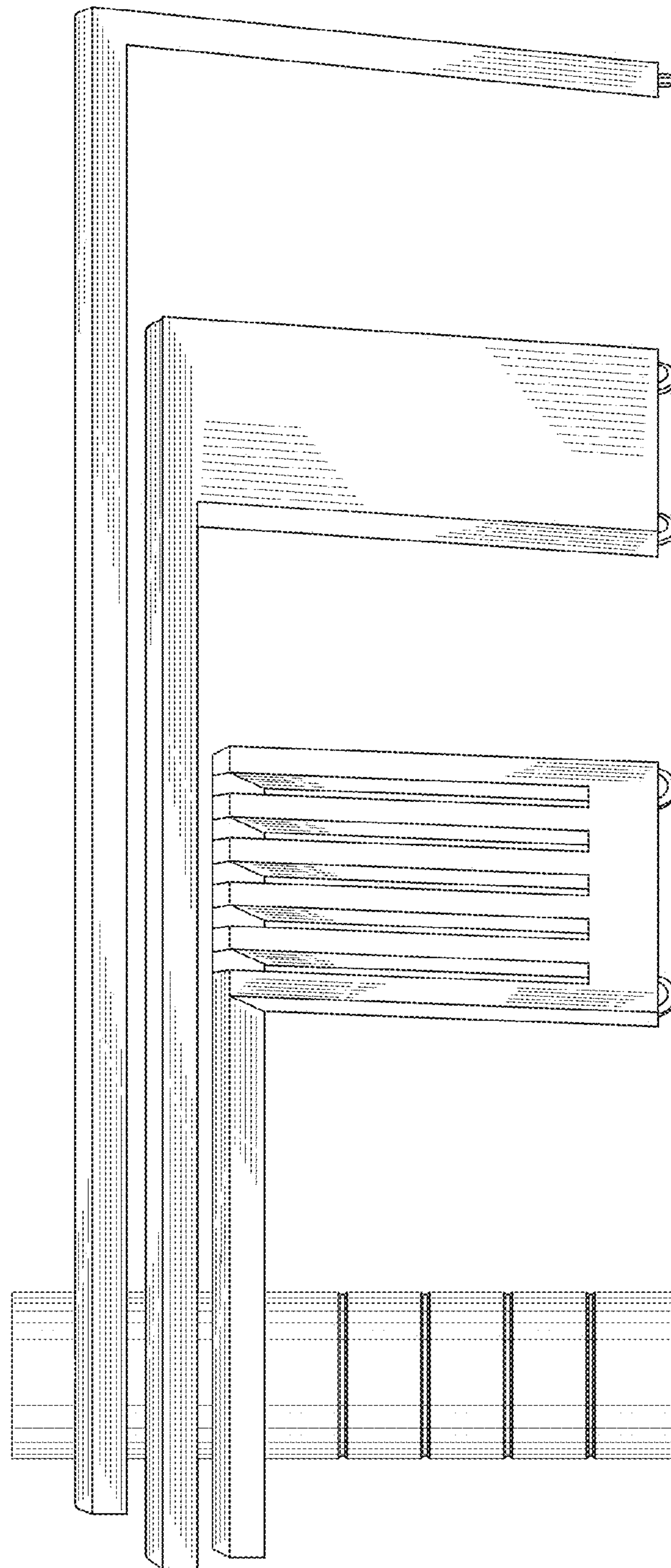


FIG. 2

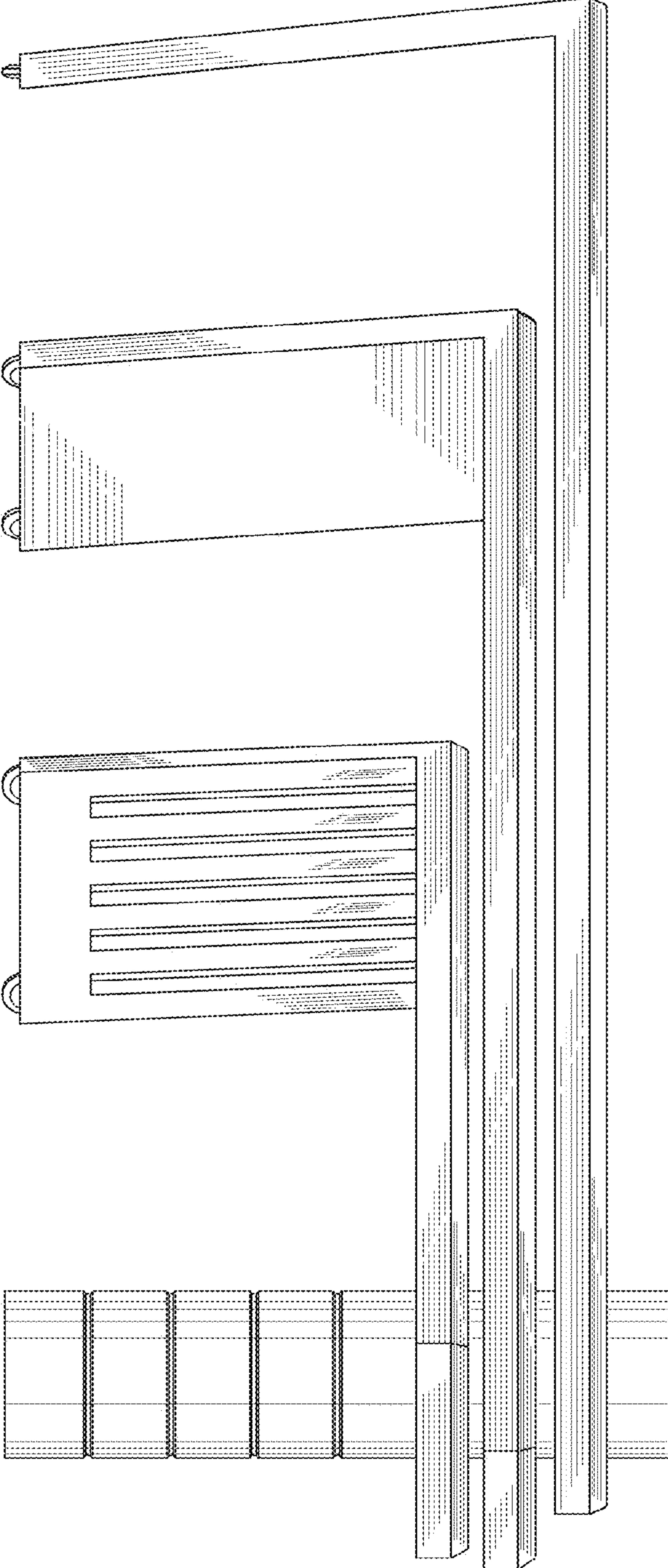


FIG. 3

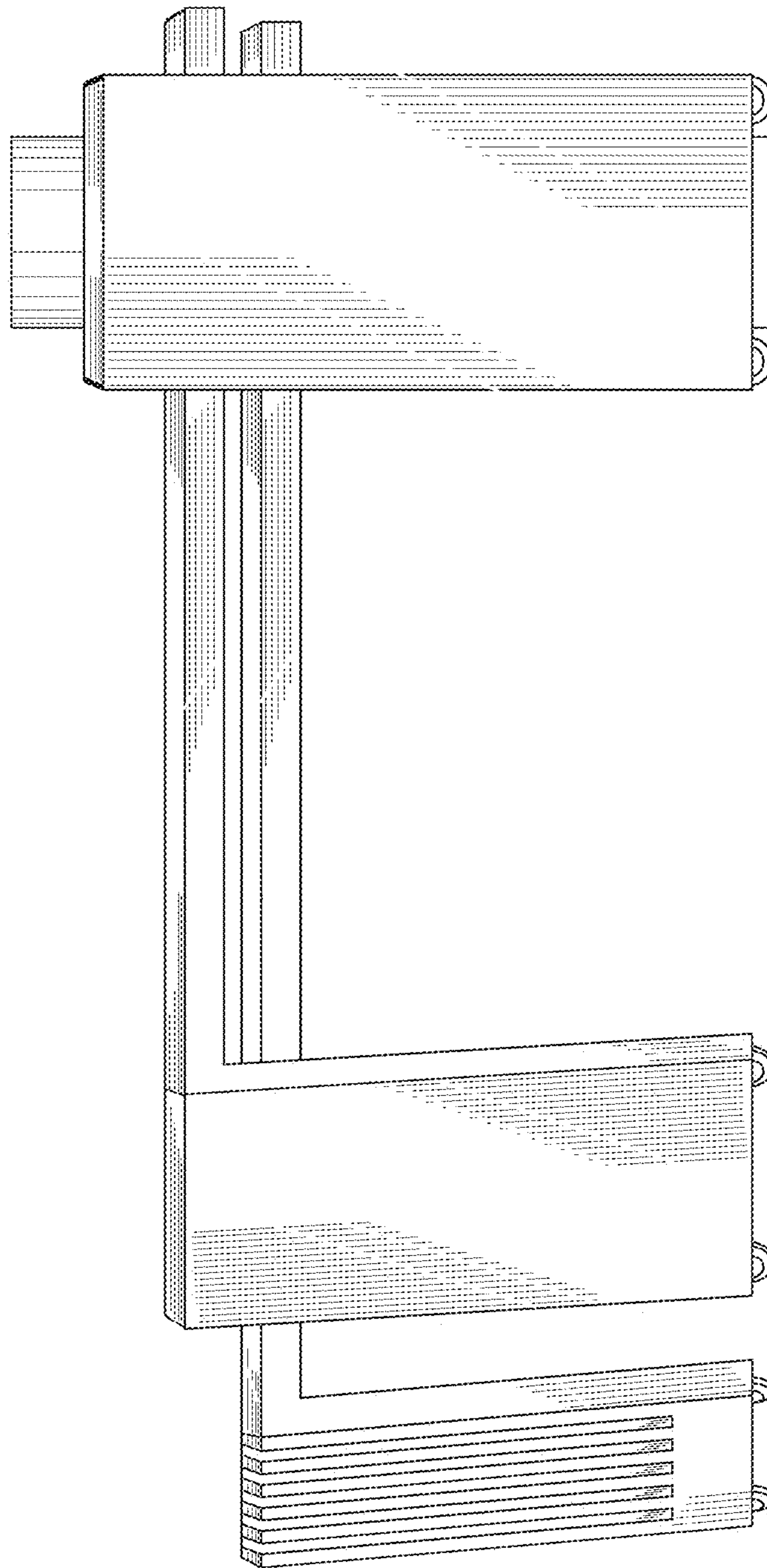


FIG. 4

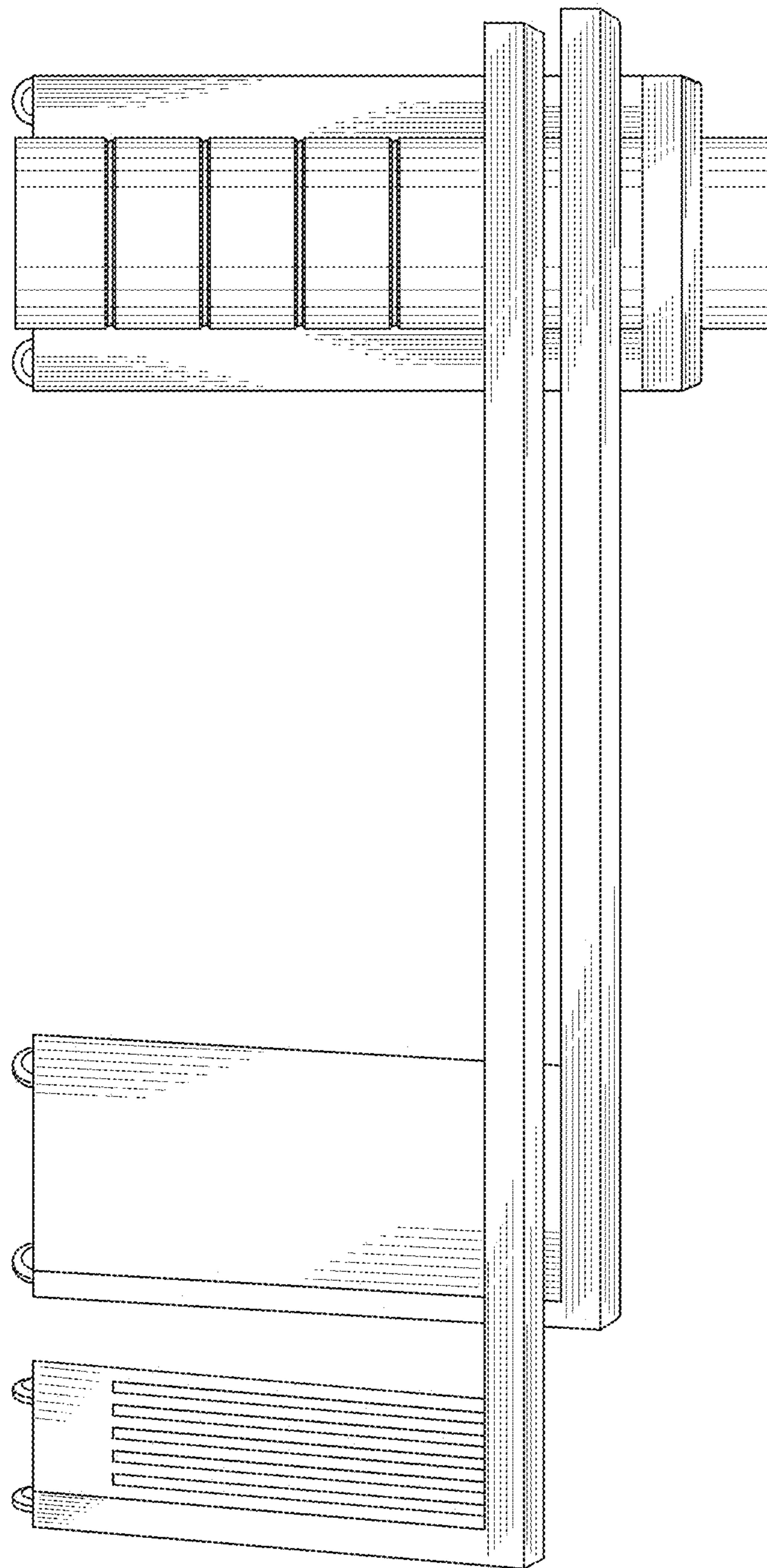


FIG. 5

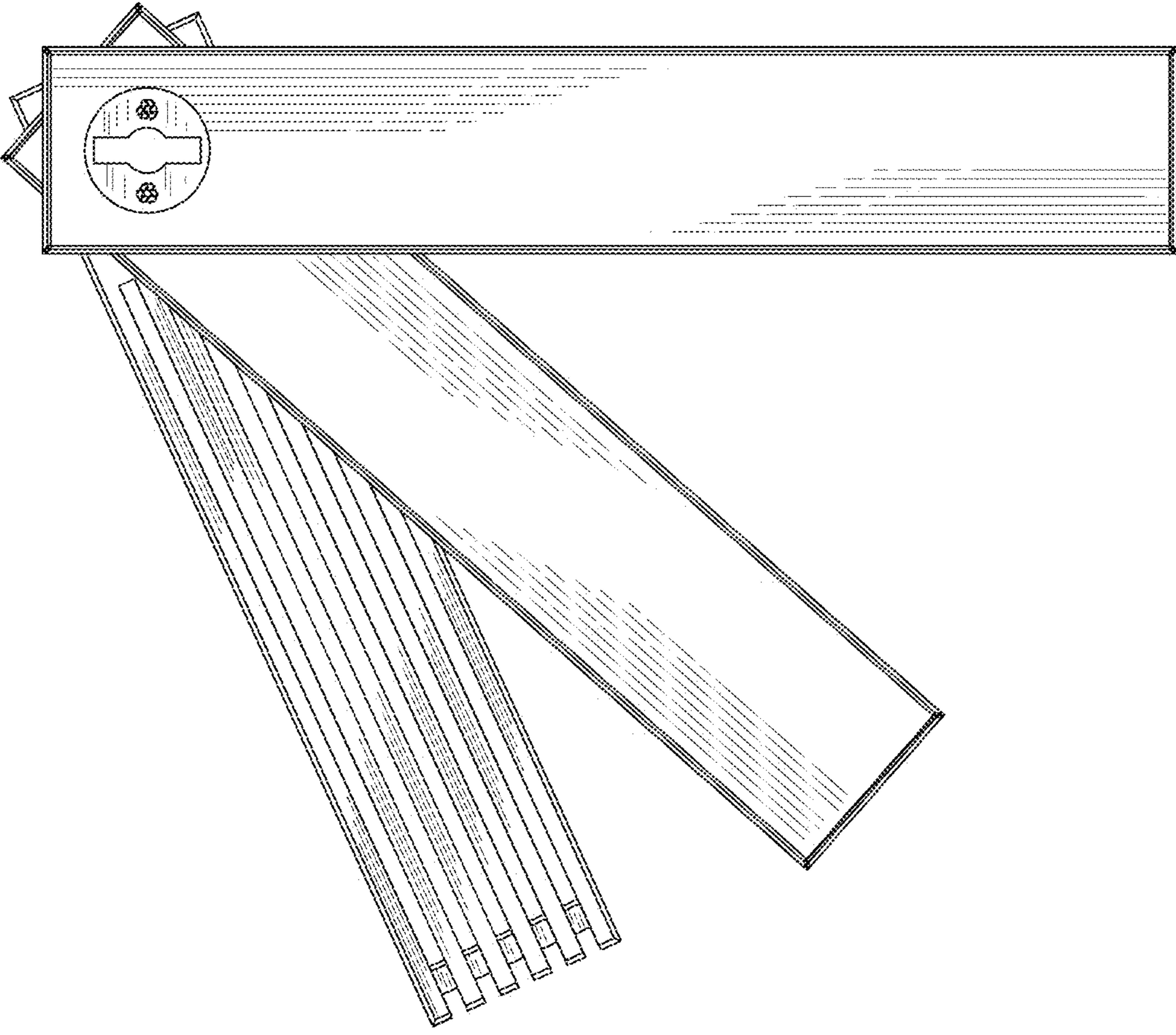


FIG. 6

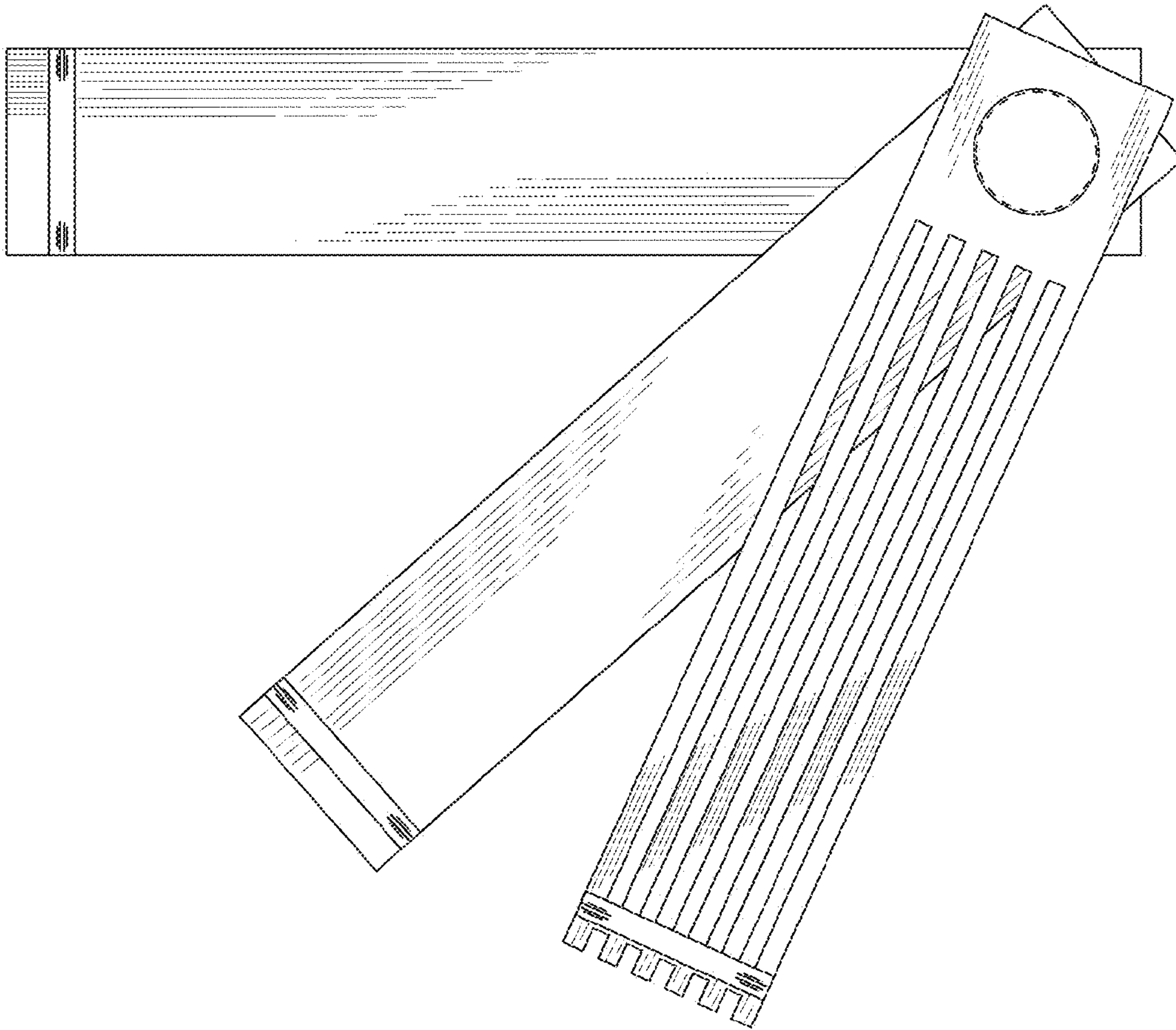


FIG. 7

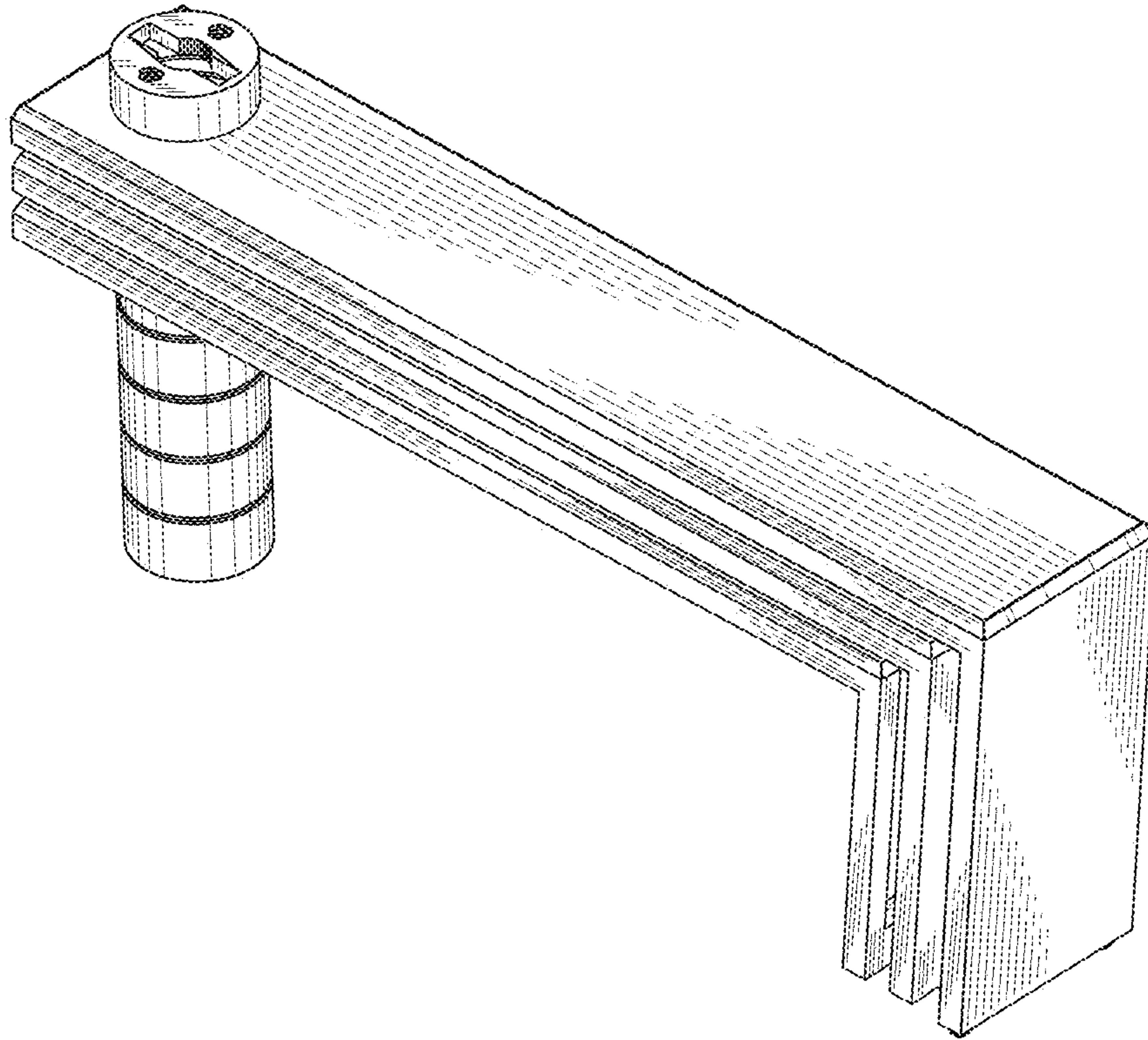


FIG. 8