



US00D703960S

(12) **United States Design Patent**
Doyle et al.

(10) **Patent No.:** **US D703,960 S**
(45) **Date of Patent:** **** May 6, 2014**

- (54) **CHAIR**
- (71) Applicant: **David Sutherland, Inc.**, Dallas, TX (US)
- (72) Inventors: **Joseph Doyle**, New Haven, VT (US);
Jennifer Hutton, Austin, TX (US)
- (73) Assignee: **David Sutherland, Inc.**, Dallas, TX (US)
- (**) Term: **14 Years**
- (21) Appl. No.: **29/450,801**
- (22) Filed: **Mar. 22, 2013**
- (51) **LOC (10) Cl.** **06-01**
- (52) **U.S. Cl.**
USPC **D6/334**
- (58) **Field of Classification Search**
USPC D6/334-338, 349, 355, 361, 368-370,
D6/376, 379-381, 492, 500-502, 716,
D6/716.1, 716.2; 297/16.1, 42, 94, 135,
297/175, 232, 233, 350, 351, 445.1, 448.1,
297/448.2, 451.9; 5/12.1, 12.2
See application file for complete search history.

D486,652 S *	2/2004	Nemeth	D6/334
D505,276 S *	5/2005	Cronk et al.	D6/334
D513,899 S *	1/2006	Erwin	D6/369
D518,654 S *	4/2006	Pesso	D6/334
D533,365 S *	12/2006	Martin	D6/334
D545,075 S	6/2007	Hunziker		
D546,570 S *	7/2007	Kreiss	D6/334
D549,470 S *	8/2007	Hutton et al.	D6/334
D564,774 S *	3/2008	Woods et al.	D6/381
D565,309 S *	4/2008	Cramer et al.	D6/334
D569,111 S *	5/2008	Swanson	D6/334
D569,664 S *	5/2008	Schweikarth et al.	D6/500
D572,031 S *	7/2008	Lowsky	D6/369
D572,926 S *	7/2008	Lowsky	D6/369
D578,782 S *	10/2008	Cramer et al.	D6/334
D579,217 S *	10/2008	Cramer et al.	D6/334
D580,664 S *	11/2008	Cramer et al.	D6/334
D586,131 S *	2/2009	Cramer et al.	D6/334
D619,819 S *	7/2010	Boydak	D6/381
D644,846 S *	9/2011	Ciani et al.	D6/334
D657,966 S *	4/2012	Foersom et al.	D6/334
D664,778 S *	8/2012	Pheasant et al.	D6/334

* cited by examiner

Primary Examiner — Sandra Snapp
(74) *Attorney, Agent, or Firm* — Gardere Wynne Sewell LLP

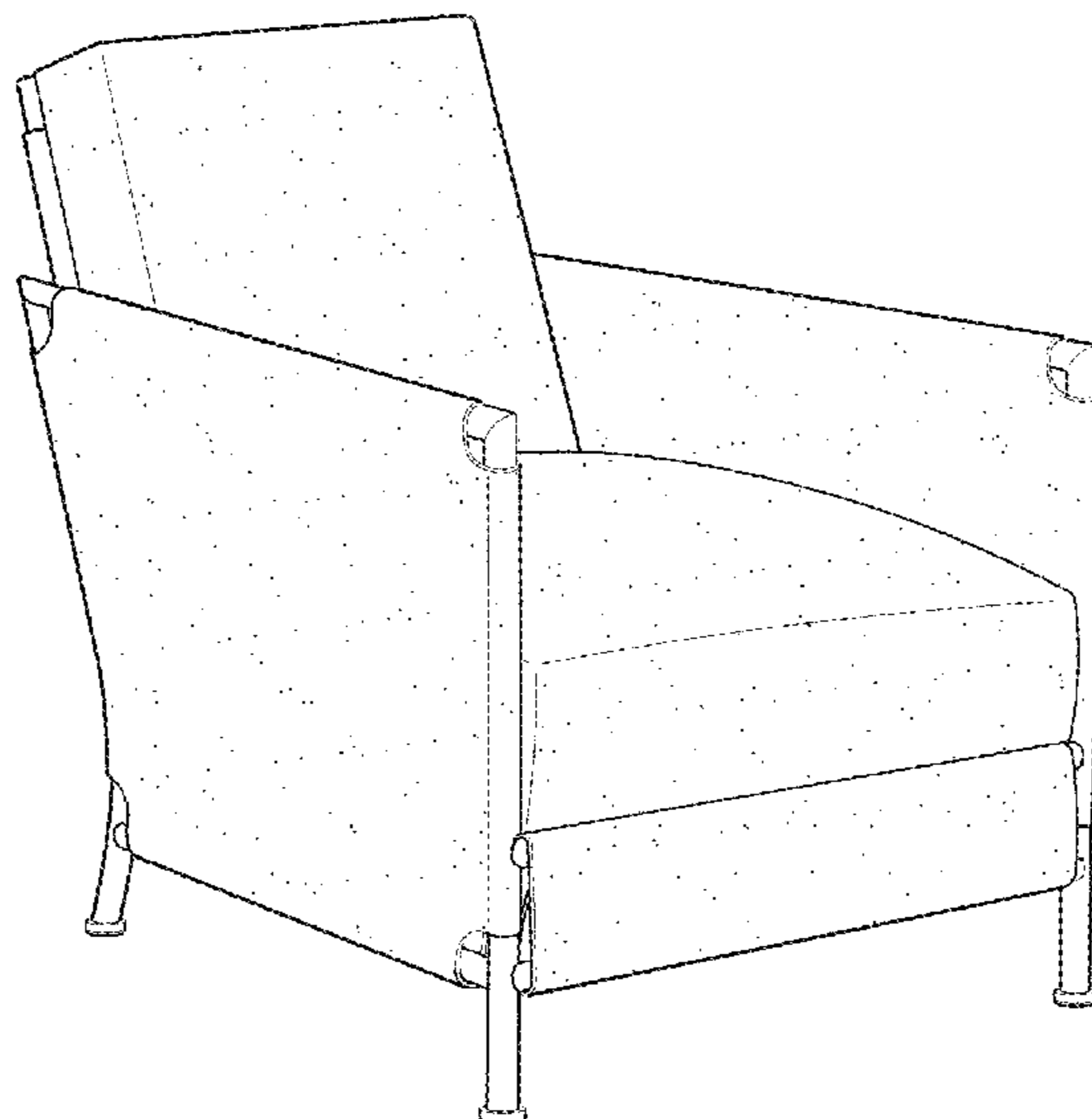
(57) **CLAIM**
The ornamental design for a chair, as shown and described.

DESCRIPTION

Fig. 1 is a perspective view of a chair;
FIG. 2 is a right side view of the chair shown in FIG. 1 the left side being a mirror image thereof;
FIG. 3 is a top view of the chair shown in FIG. 1;
FIG. 4 is a bottom view of the chair shown in FIG. 1;
FIG. 5 is a front view of the chair shown in FIG. 1; and,
FIG. 6 is a rear view of the chair shown in FIG. 1.
The stippling is to show surface texture and is not a necessary part of the design.

1 Claim, 2 Drawing Sheets

- (56) **References Cited**
U.S. PATENT DOCUMENTS
- D213,190 S * 1/1969 Watari D6/334
- D373,257 S * 9/1996 Hutton D6/381
- D379,269 S * 5/1997 Hutton D6/334
- D421,853 S * 3/2000 Black D6/369
- D422,422 S * 4/2000 Black D6/369
- D451,688 S * 12/2001 Cramer D6/334
- D465,341 S * 11/2002 Hutton D6/334
- D465,662 S * 11/2002 Hutton D6/334
- D466,312 S * 12/2002 Hutton D6/334
- D473,060 S 4/2003 Hutton



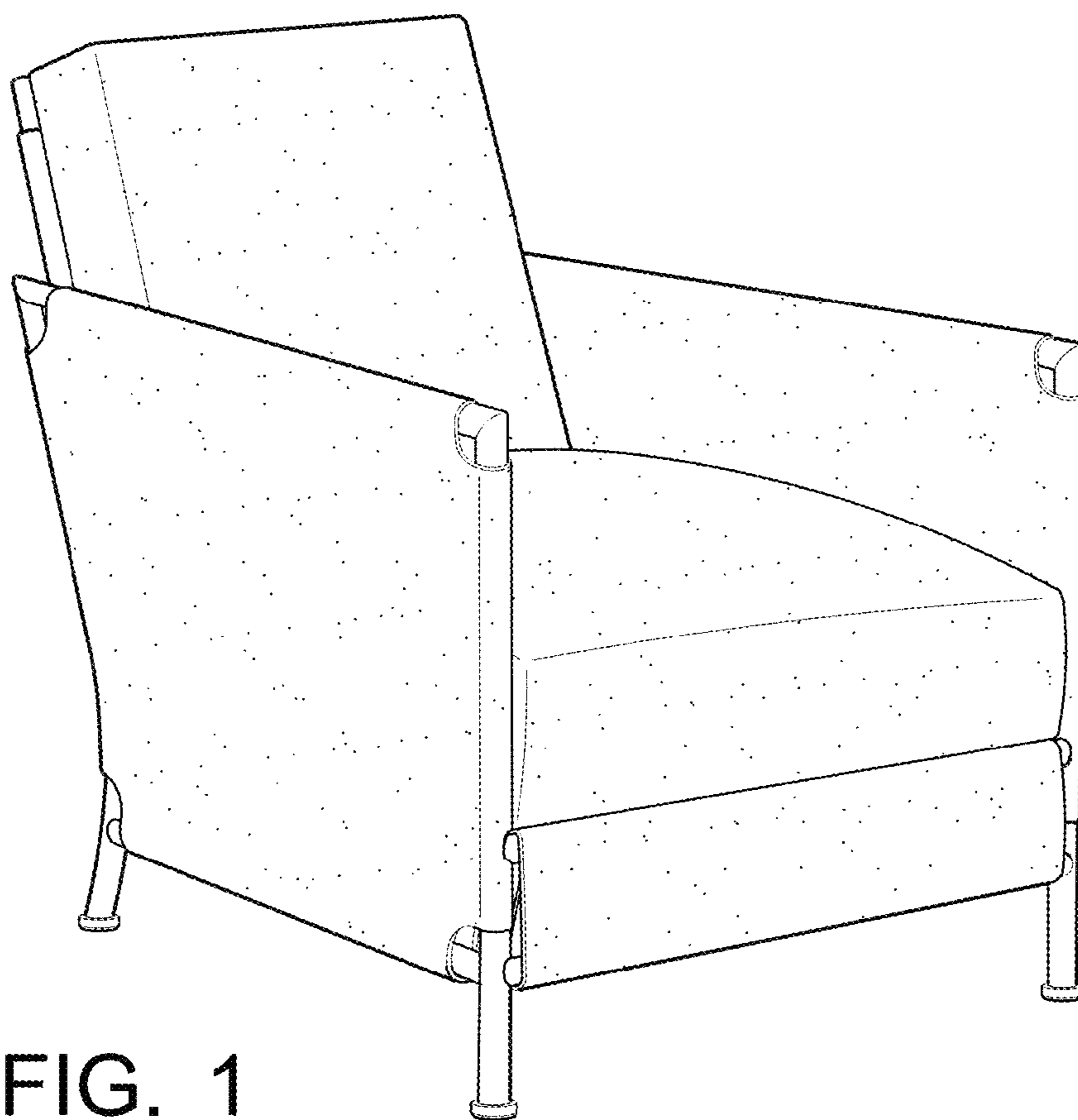


FIG. 1

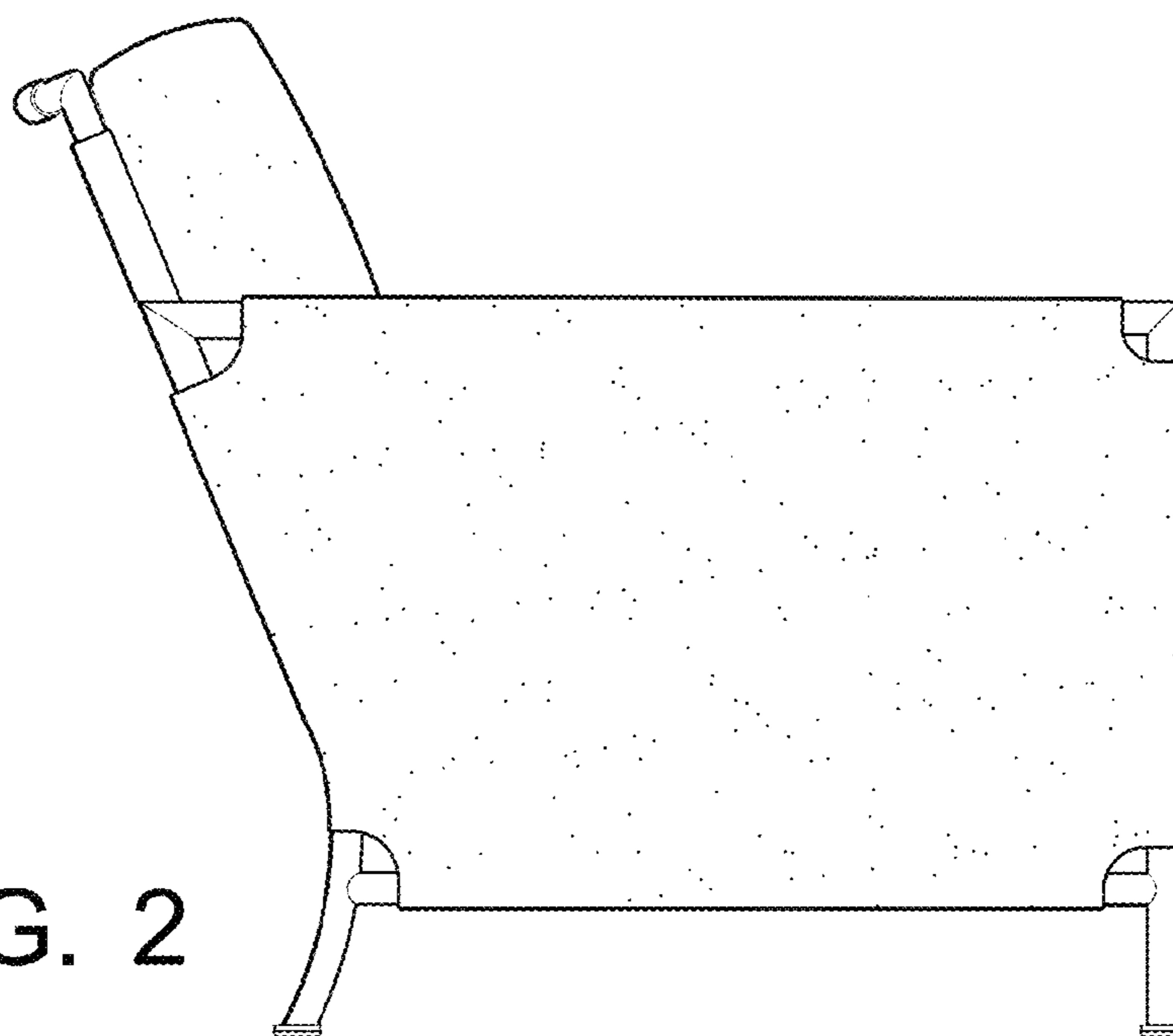


FIG. 2

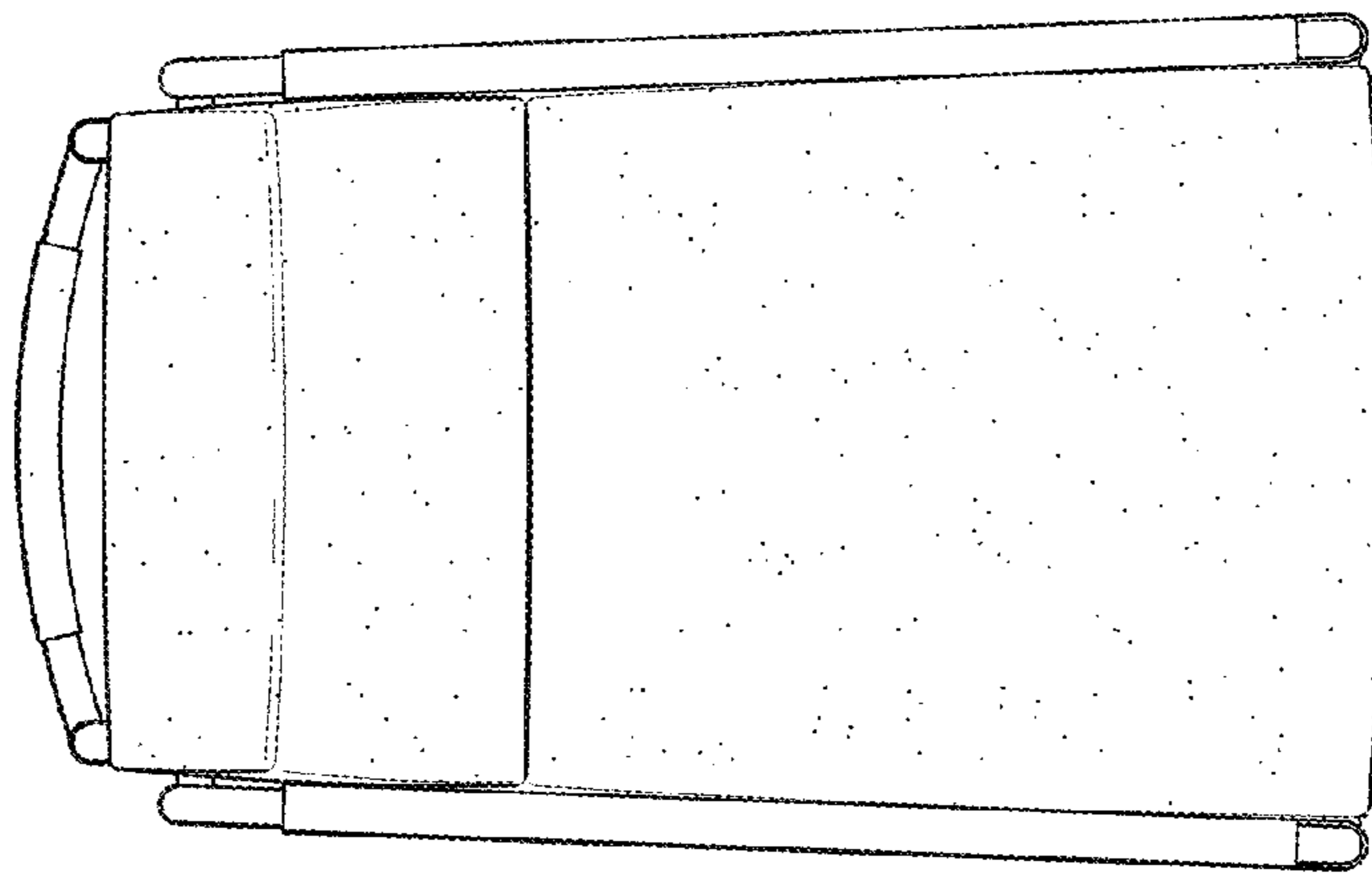


FIG. 3

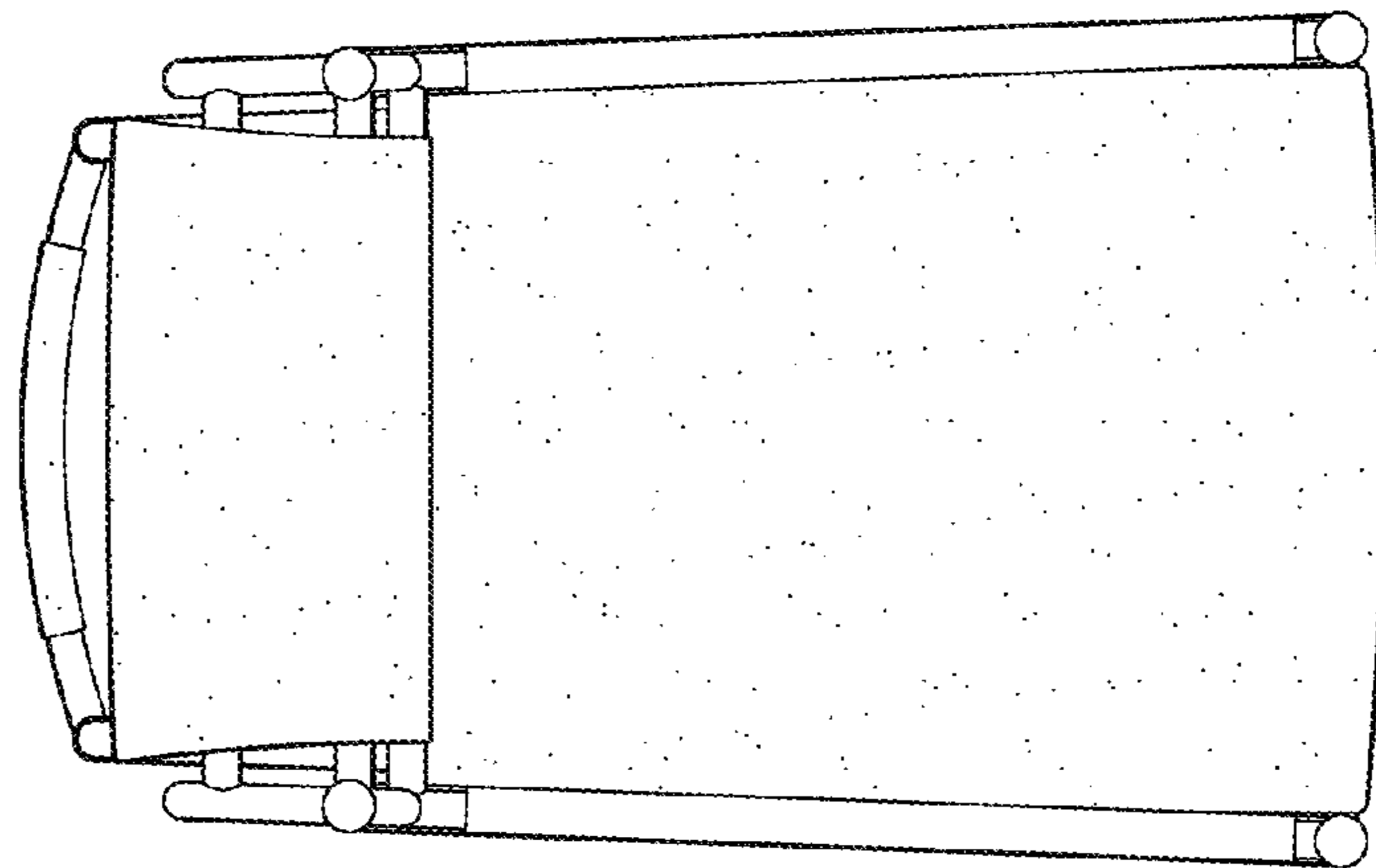


FIG. 4

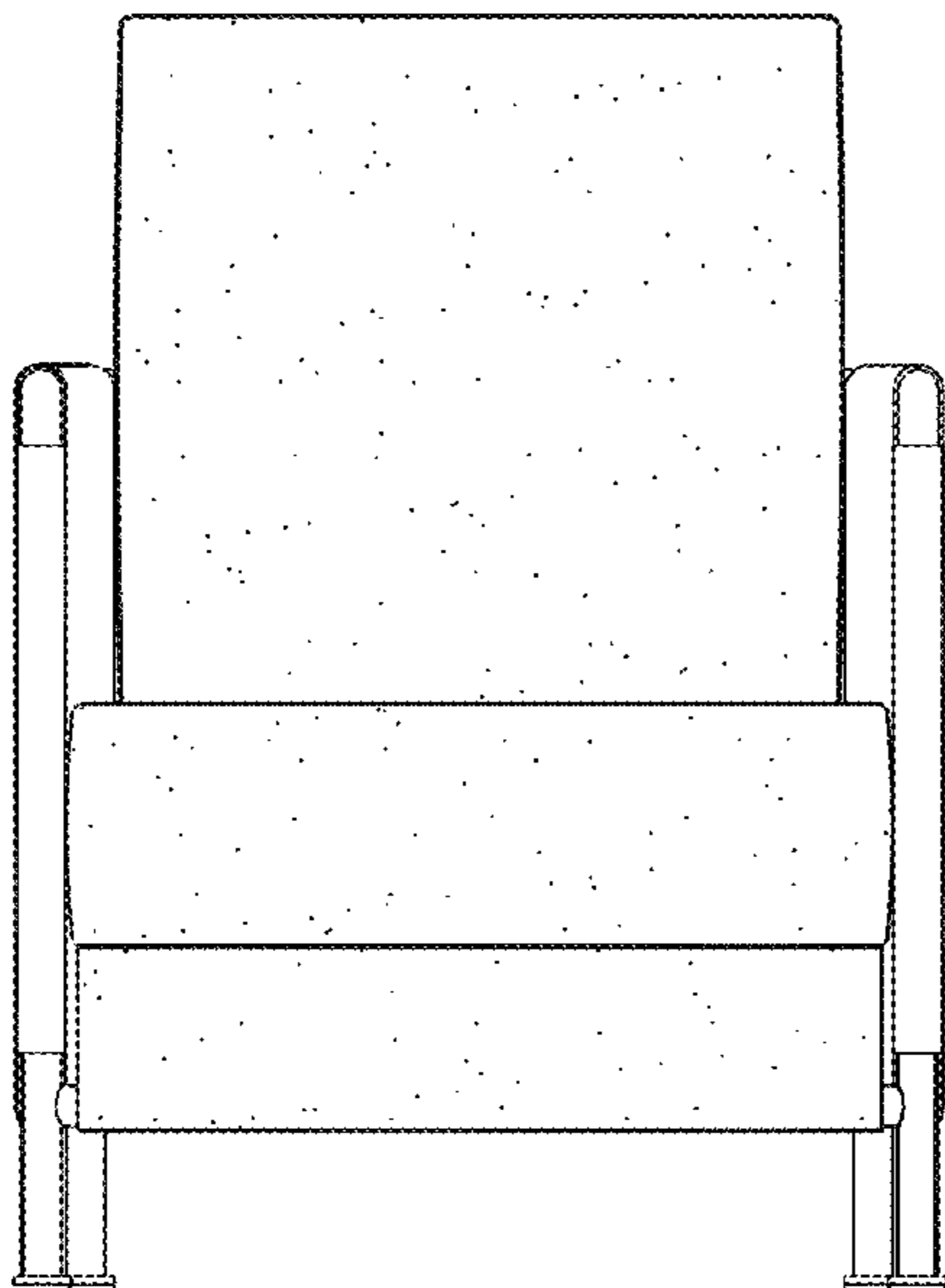


FIG. 5

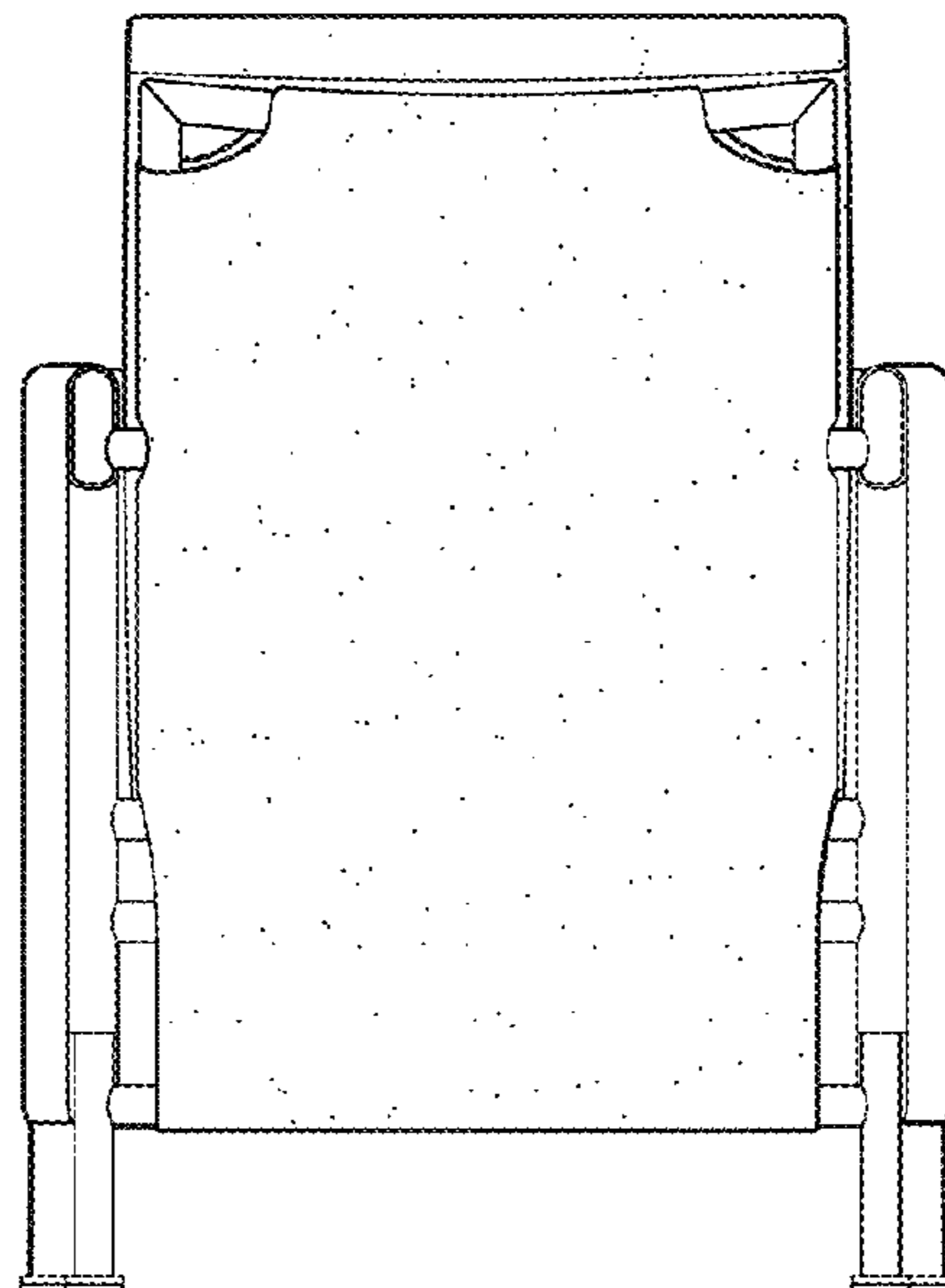


FIG. 6