



US00D703959S

(12) **United States Design Patent**
Dugan, Jr.

(10) **Patent No.:** **US D703,959 S**

(45) **Date of Patent:** **** May 6, 2014**

- (54) **FISHING LURE SHAPED APPAREL RACK**
- (71) Applicant: **Richard Earl Dugan, Jr.**, Seattle, WA (US)
- (72) Inventor: **Richard Earl Dugan, Jr.**, Seattle, WA (US)
- (**) Term: **14 Years**
- (21) Appl. No.: **29/442,615**
- (22) Filed: **Apr. 4, 2013**
- (51) **LOC (10) Cl.** **06-08**
- (52) **U.S. Cl.**
USPC **D6/316**
- (58) **Field of Classification Search**
CPC ... A47G 25/00; A47G 25/0607; A47G 25/06;
A47G 25/08; A47G 25/10; A47G 25/28;
A47G 25/32; A47G 25/36; A47G 25/74;
A47G 25/186; A47G 25/483; A47G 25/743;
A47G 25/746; A47G 25/1442; A47G 25/1457;
A47G 1/1686; A47G 29/00; A47G 25/005;
A47F 7/00; A47F 7/0028; A47F 7/08; A47F
7/19; A47F 7/163; A47F 5/0807; A47F
5/0815; A47F 5/0892; A47F 5/11; A47F 3/08;
A47F 2005/0012
USPC D6/315-328, 552, 553, 557, 675, 677,
D6/707.1, 707.11, 707.13, 707.18, 707.19,
D6/707.2; 223/85-98; 211/13.1, 10, 86.01,
211/87.01, 85.2, 113; 43/57.1, 57.2;
D22/125, 126, 132, 133
See application file for complete search history.

(56) **References Cited**

U.S. PATENT DOCUMENTS

D149,902 S *	6/1948	Petty	D6/316
2,478,590 A *	8/1949	McKnelly et al.	223/94
2,499,159 A *	2/1950	Pestyner	211/96
2,594,472 A *	4/1952	McClain	43/57.2
D211,635 S *	7/1968	Holm	D6/552
D236,567 S *	9/1975	Ballin	D6/323
4,468,882 A *	9/1984	Marusak	43/57.1
D302,918 S *	8/1989	Maki	D6/569
D312,940 S *	12/1990	James	D6/571
D367,101 S *	2/1996	Merolillo	D22/133
D378,475 S *	3/1997	Brown	D6/317
D621,469 S *	8/2010	Dennison et al.	D22/133
D694,026 S *	11/2013	Berger	D6/318

* cited by examiner

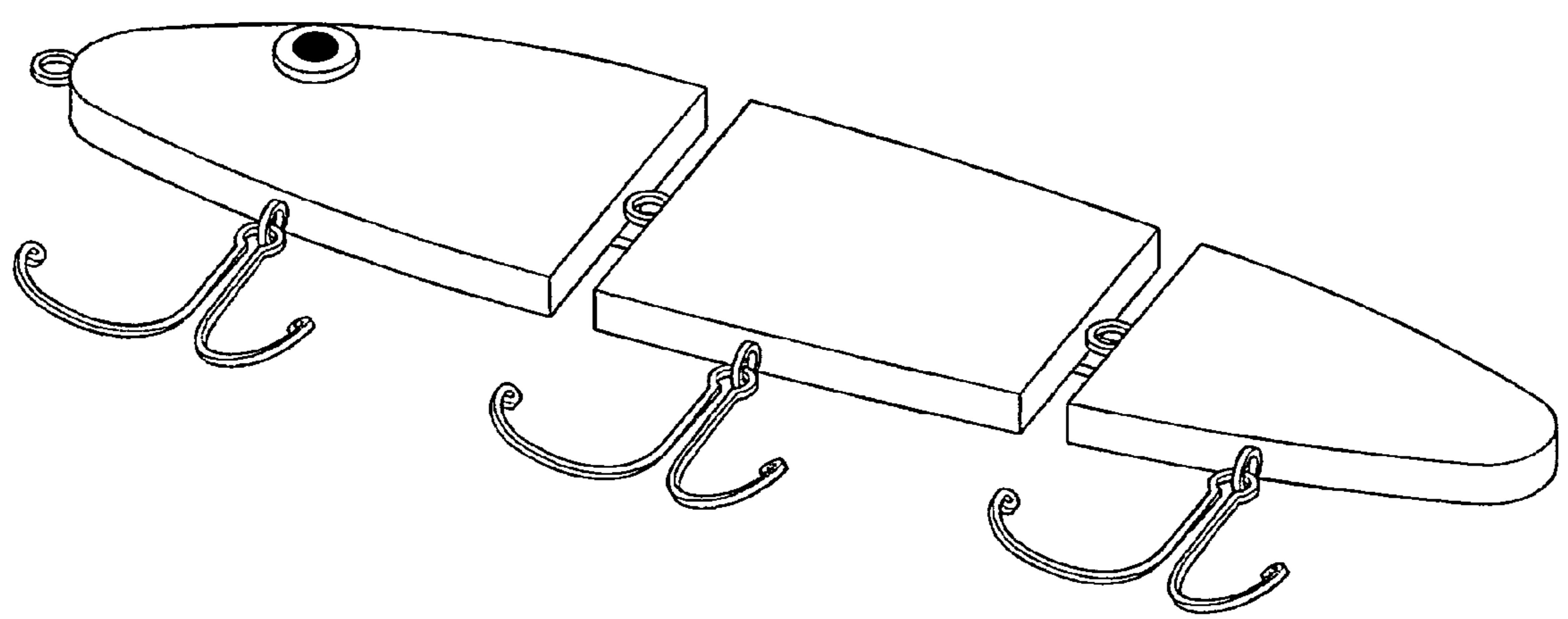
Primary Examiner — Derrick Holland
Assistant Examiner — Lauren Calve

(57) **CLAIM**
The ornamental design for a fishing lure shaped apparel rack, as shown and described.

DESCRIPTION

FIG. 1 is a front, right perspective view of a fishing lure shaped apparel rack showing my new design;
FIG. 2 is a back, left perspective view thereof;
FIG. 3 is a front view thereof;
FIG. 4 is a back view thereof;
FIG. 5 is a top view thereof; and,
FIG. 6 is a bottom view thereof.

1 Claim, 3 Drawing Sheets



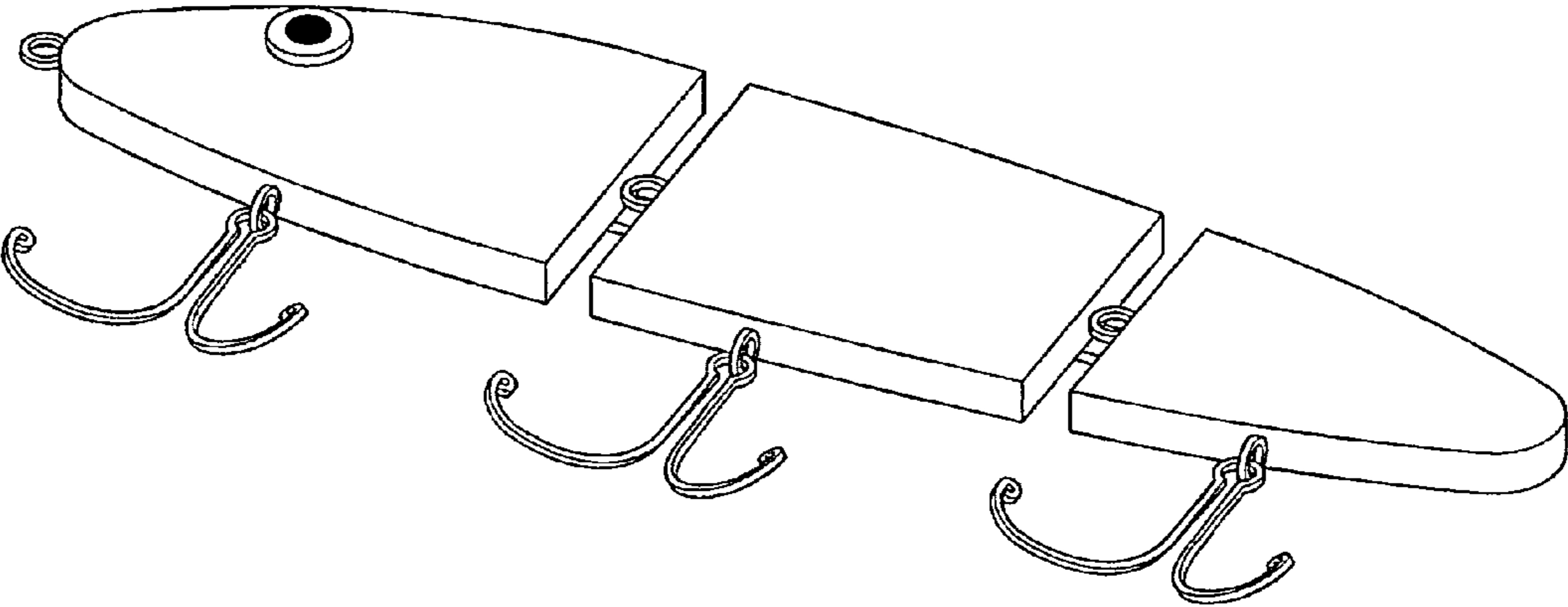


FIG. 1

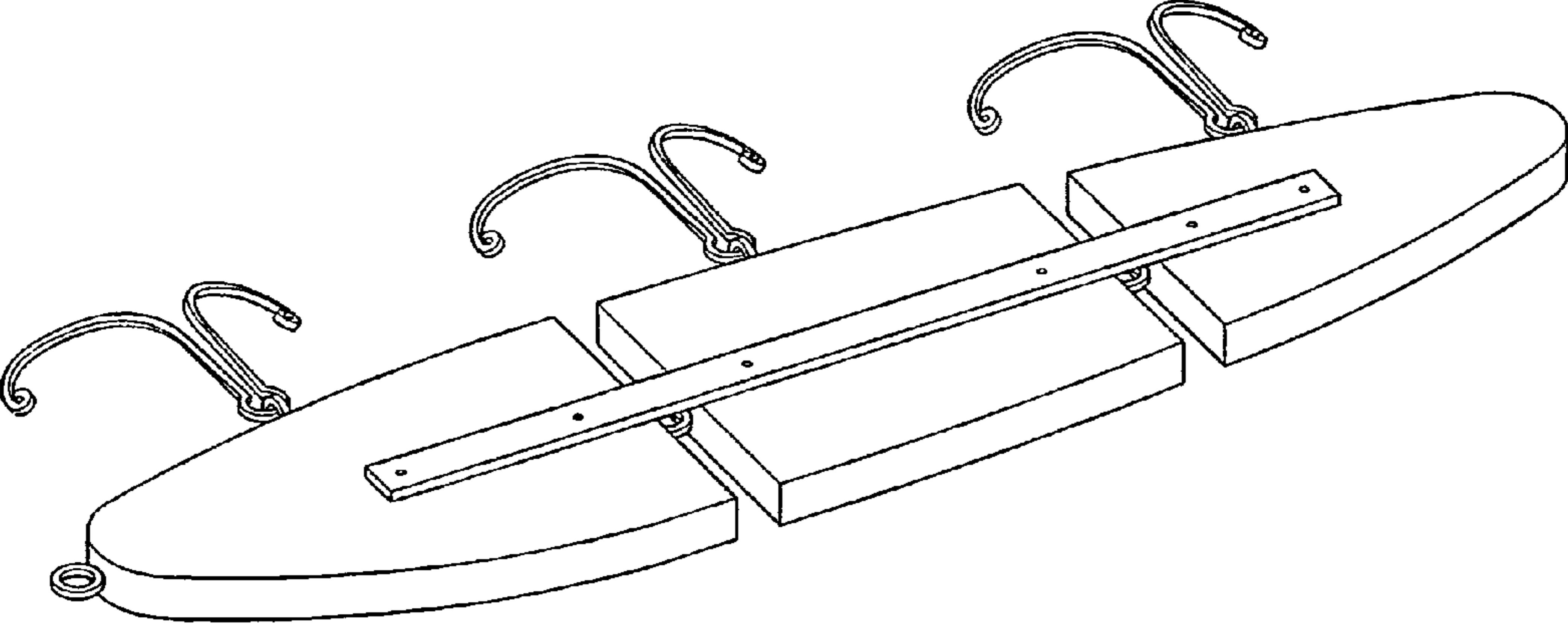


FIG. 2

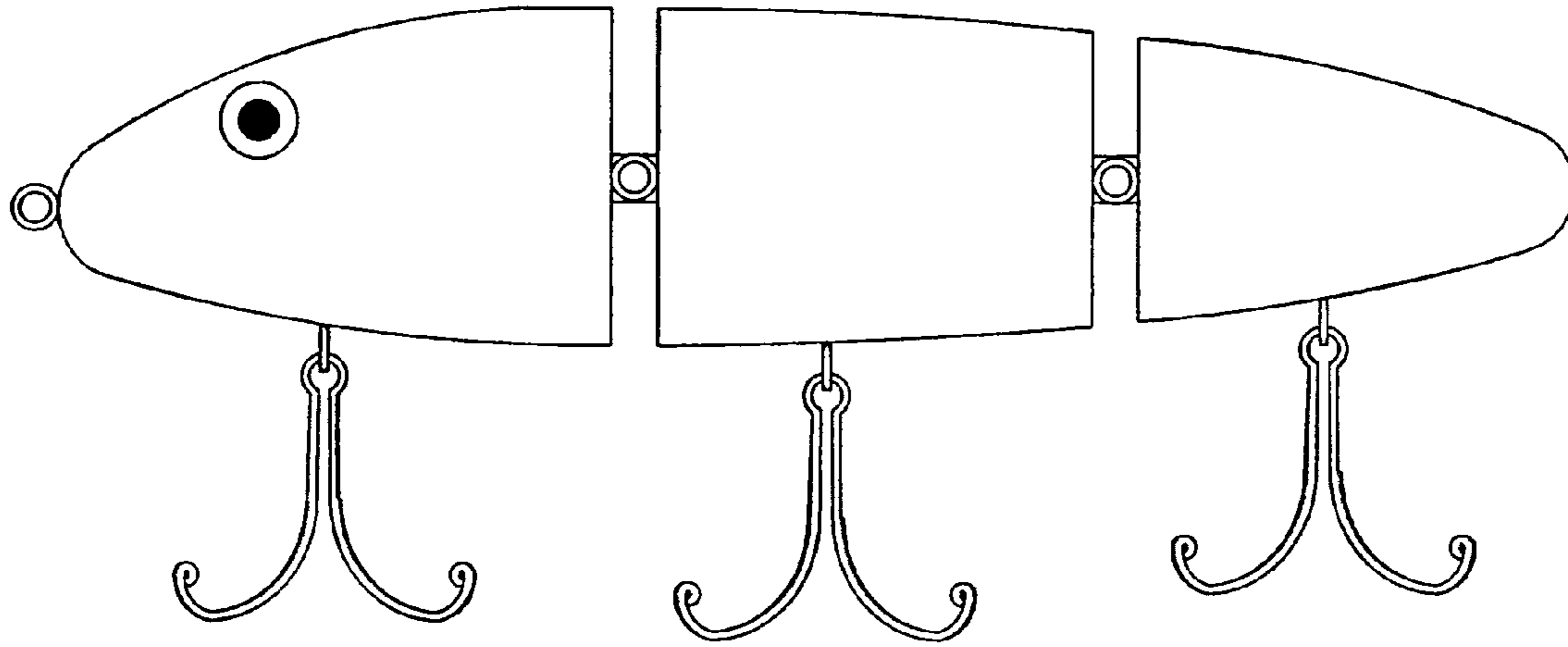


FIG. 3

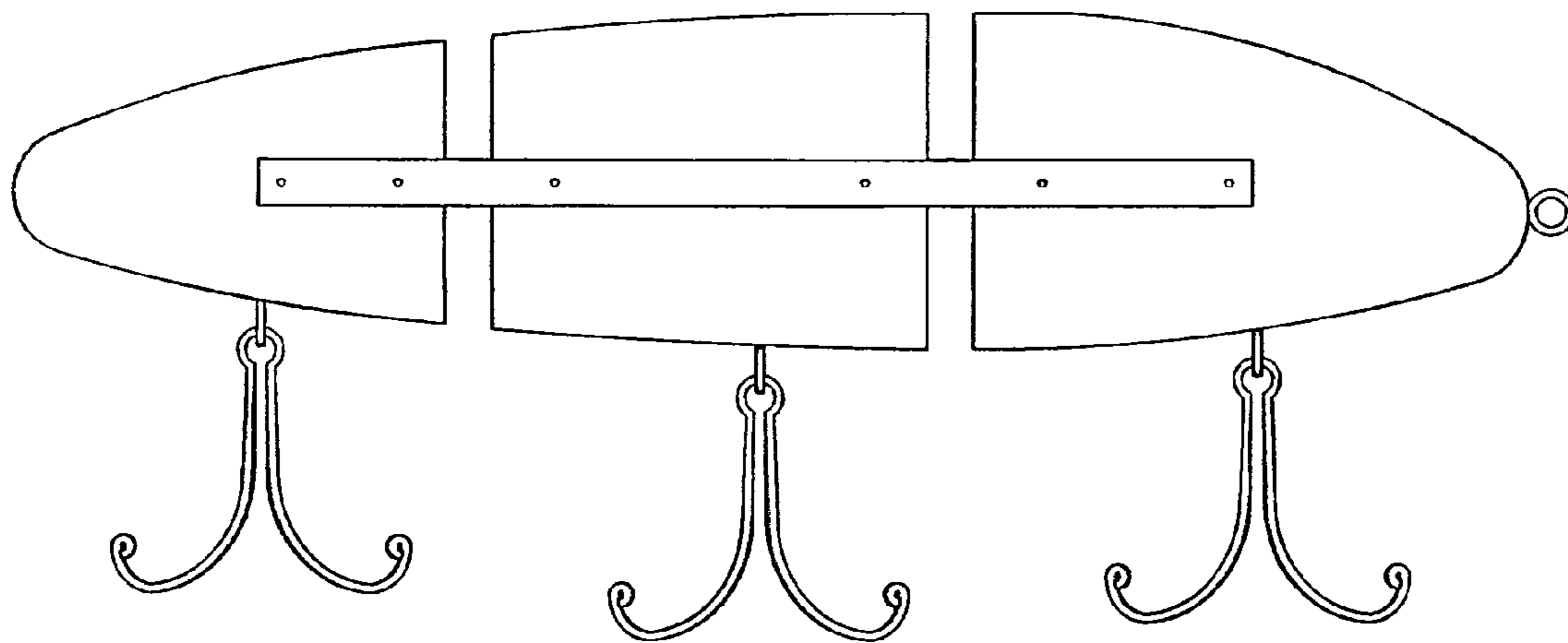


FIG. 4

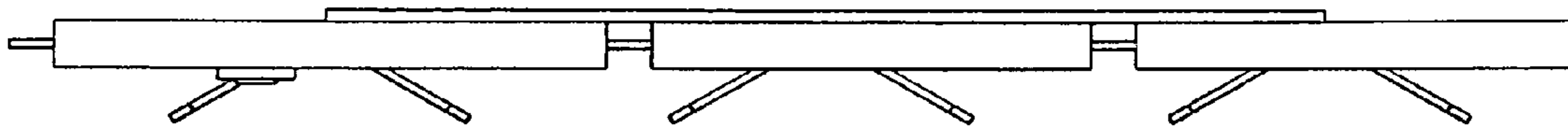


FIG. 5

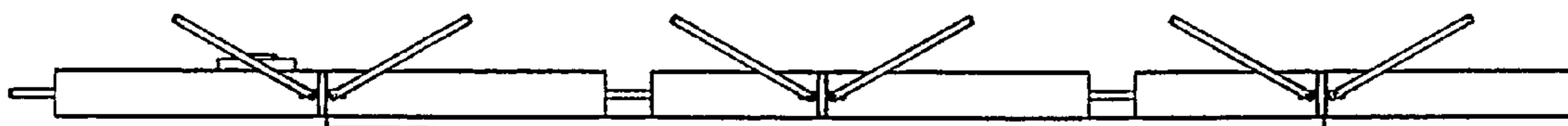


FIG. 6